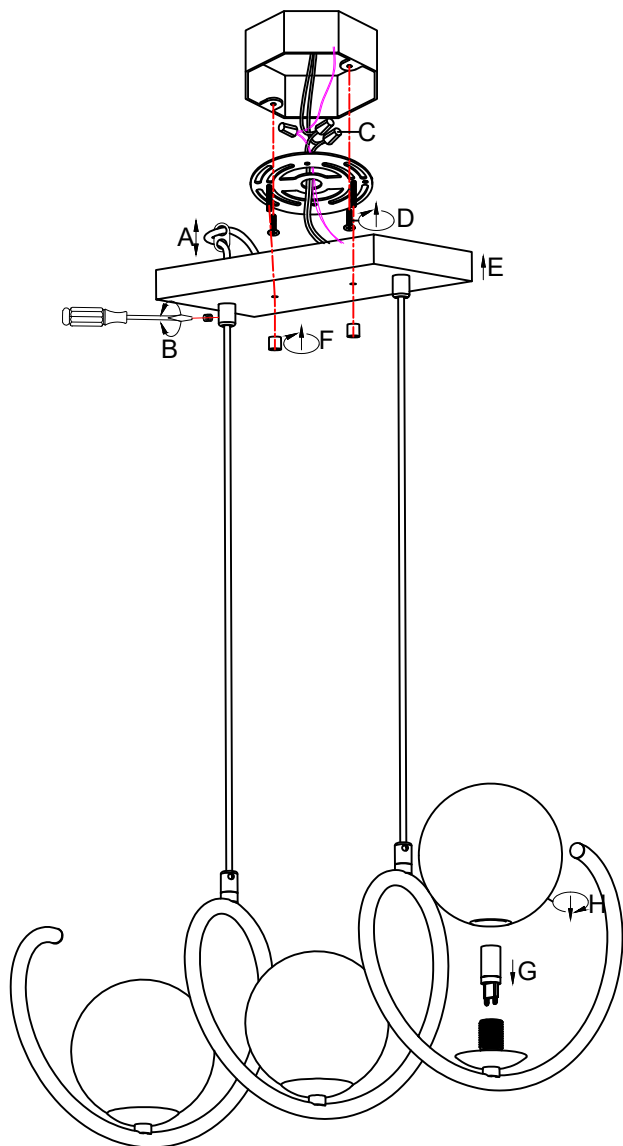


ASSEMBLY AND INSTALLATION INSTRUCTIONS

WARNING: TO AVOID RISK OF ELECTRICAL SHOCK, BE SURE TO SHUT OFF POWER BEFORE INSTALLING OR SERVICING THIS FIXTURE.



Before You Begin:

- Ensure power is turned off at the circuit breaker before installation.
- Read all instructions carefully.
- Installation should be performed by a qualified electrician if you are unfamiliar with wiring.

Step-by-Step Installation:

1. Adjust Hanging Height
 - Loosen the screws using a screwdriver (B) as shown on the diagram.
 - Slide the figure-8 adjusters (A) to adjust the wire length to your desired height.
 - Tighten the screws firmly to secure the wire.
2. Wire Connections
 - Use wire connectors (C) to connect the black (hot) wire to the black wire, the white (neutral) wire to the white wire, and the ground wire to the grounding terminal.
 - Ensure no exposed conductors remain outside wire connectors or outside the junction box.
3. Secure the mounting plate to the junction box with provided screws (D).
4. Secure the the rectangular canopy (E) to the mounting plate using the decorative nuts (F).
5. Screw the bulbs (G) into the light holders. (Bulbs Not Included)
6. Install the glass globe lampshades (H) onto the light holders.

Safety Instructions:

To avoid fire, shock, and serious personal injury, follow all instructions carefully.

1. Do not install or use the light fixture if any part is missing or damaged.
2. To avoid possible electrical shock be sure electricity is turned off at the main fuse or circuit breaker box before wiring.
3. Make certain no bare wires are exposed outside the wire connectors.
4. All wiring must conform to national and local electrical codes.
5. Follow the recommended instructions for the proper method of wiring your new light fixture. If you feel you do not have enough electrical wiring knowledge or experience, have your light fixture installed by a licensed electrician. Any electrical work not described in this manual should be performed by a licensed electrician.