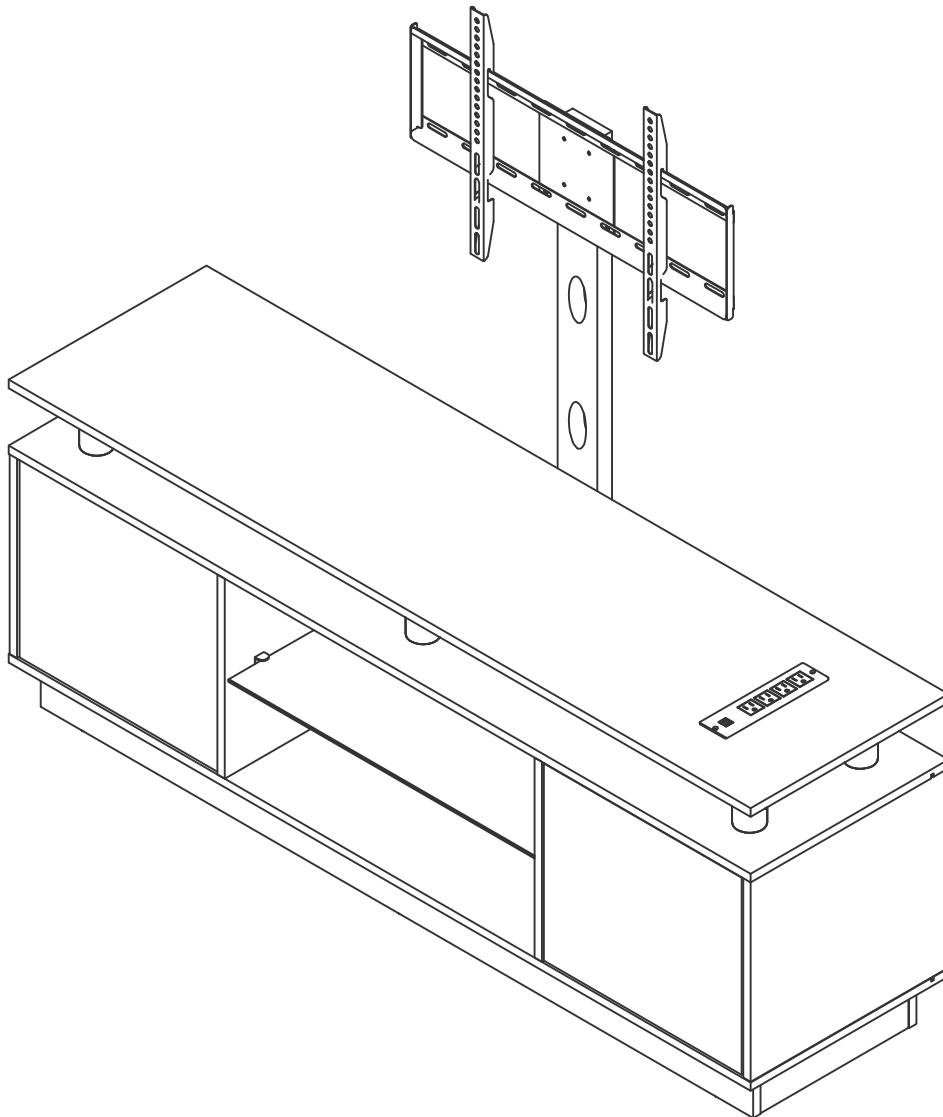
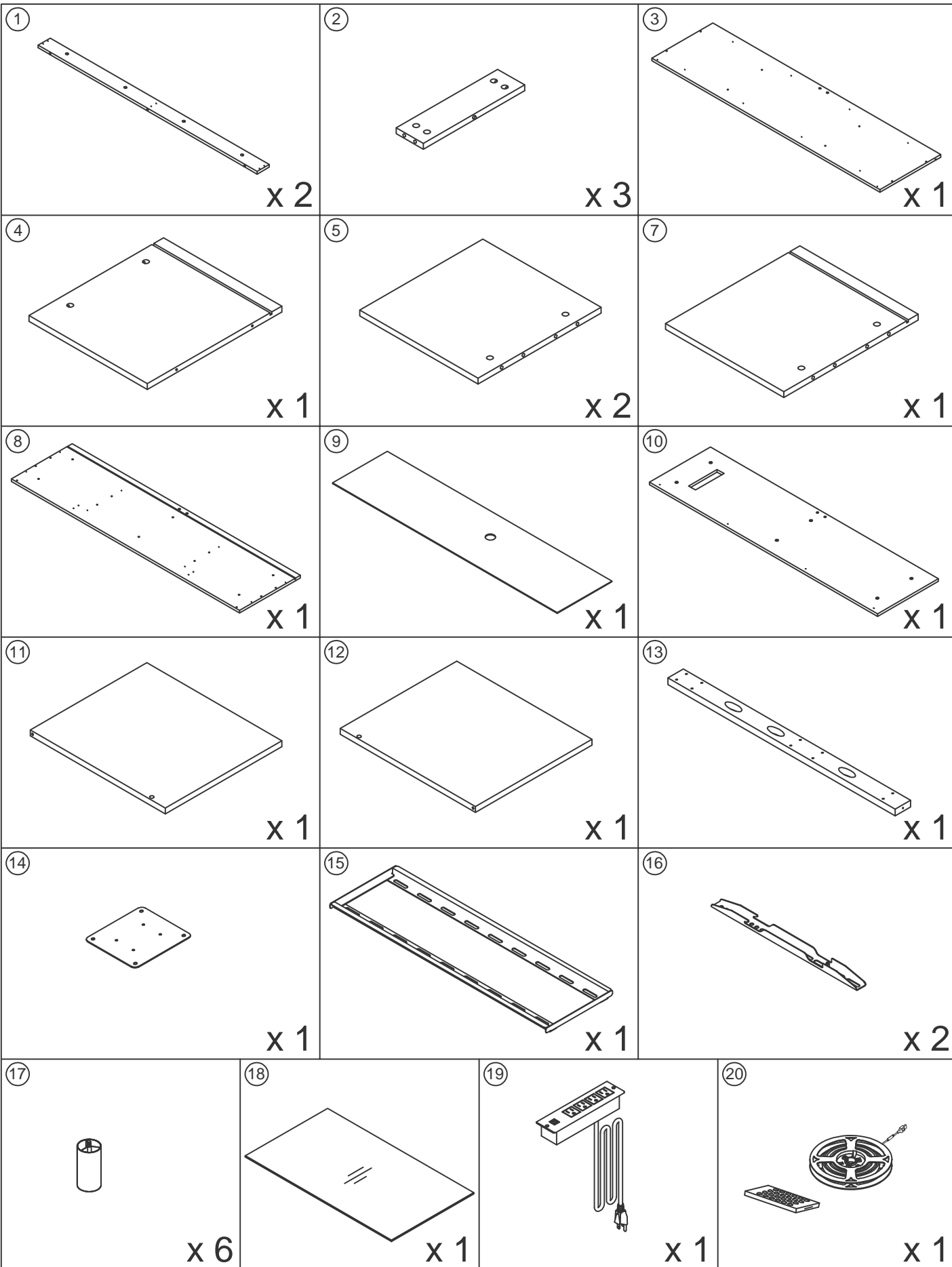


# GZPFK-V1

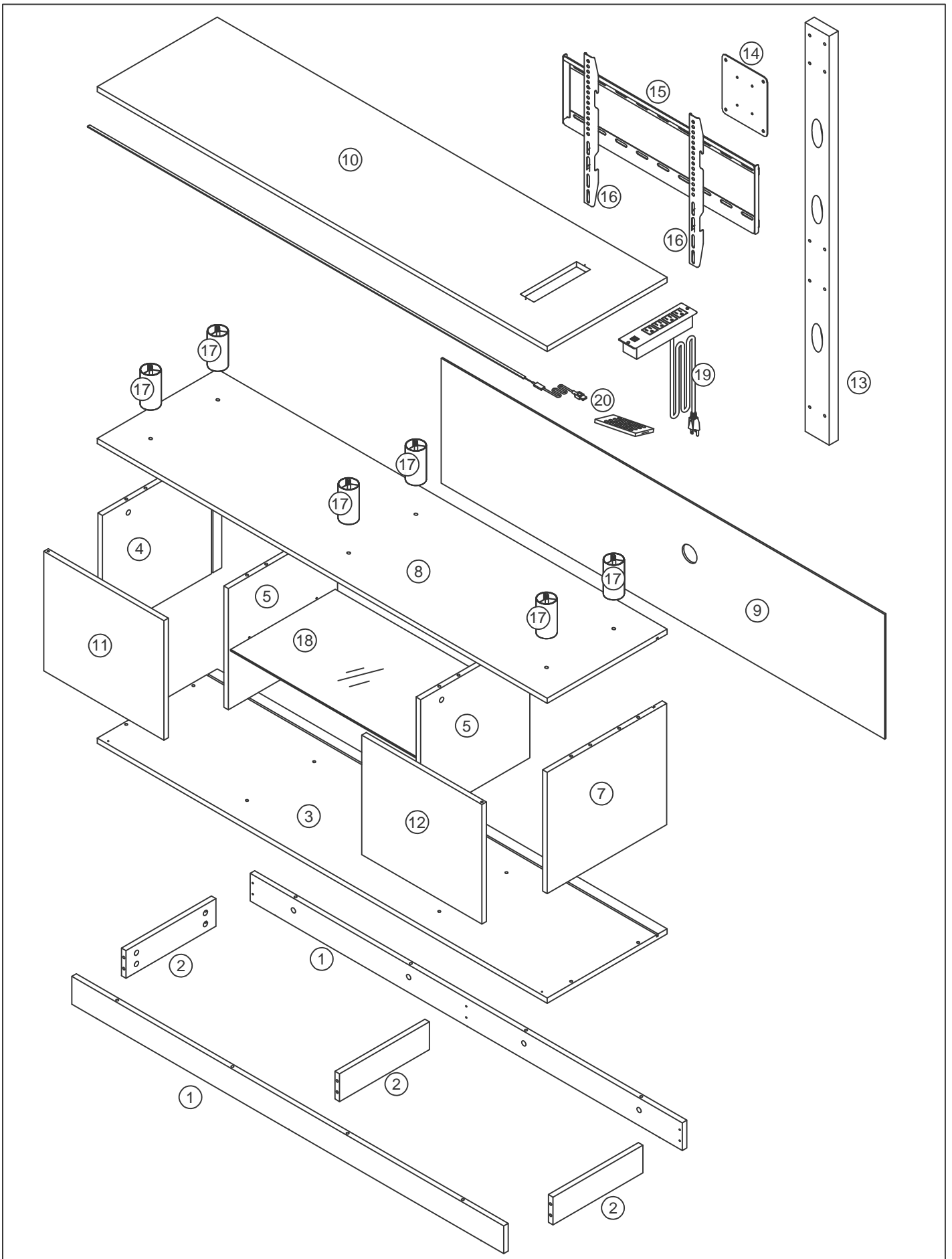
FTLFTS-6119



IMPORTANT,RETAIN FOR FUTURE REFERENCE:READ CAREFULLY.



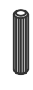



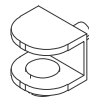



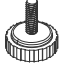
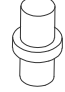

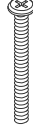






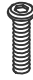
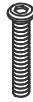











# FTLFTS-6119





# FTLFTS-6119

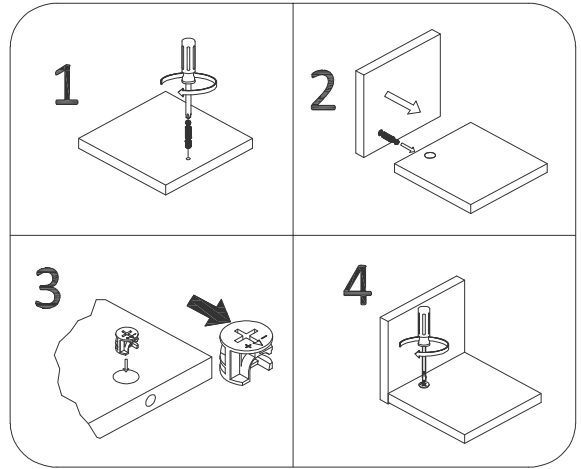
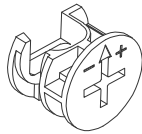
<b>A</b> M5X42  28 PCS	<b>B</b> Ø15X12  28 PCS	<b>C</b> Ø8X40  8 PCS	<b>D</b> M3.5X14  20 PCS	<b>E</b> M7X50  8 PCS	<b>F</b>  2 PCS	<b>G</b>  4 PCS
<b>H</b>  10 PCS	<b>I</b>  4 PCS	<b>J</b>  2 SETS	<b>K</b> M6  1 PCS	<b>L</b>  2 PCS	<b>M</b> M6  6 PCS	<b>N</b> M6x55  8 PCS
<b>O</b> M8x12  4 PCS	<b>P</b> M6x40  4 PCS	<b>Q</b> M6x25  4 PCS	<b>R</b> M5X25  4 PCS	<b>S</b> M5X35  4 PCS	<b>T</b> M6X35  4 PCS	<b>U</b> M8X25  10 PCS
<b>V</b> M8X35  4 PCS	<b>W</b> M4X12  4 PCS	<b>X</b> M4X30  4 PCS	<b>Y</b> Φ16XΦ10X20  4 PCS	<b>Z</b> Φ18XΦ8X10  4 PCS	<b>BB</b> M8X2.0/Φ20  4 PCS	<b>CC</b> M6X1.2/Φ16  4 PCS
<b>4#</b>  4 PCS	<b>5#</b>  4 PCS	 4 PCS				



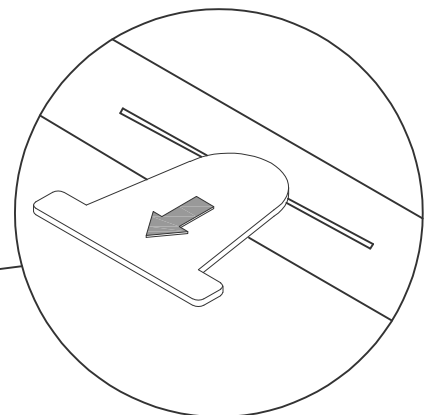
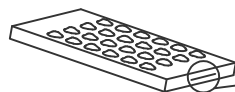
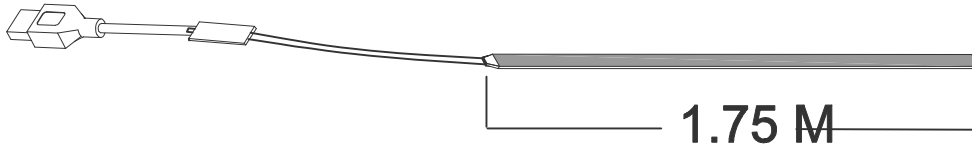
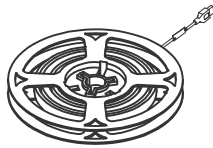
# FTLFTS-6119

## Cam Lock Fastening System

This Cam Lock Fastening System will be used throughout the assembly process






20

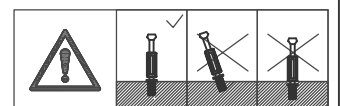
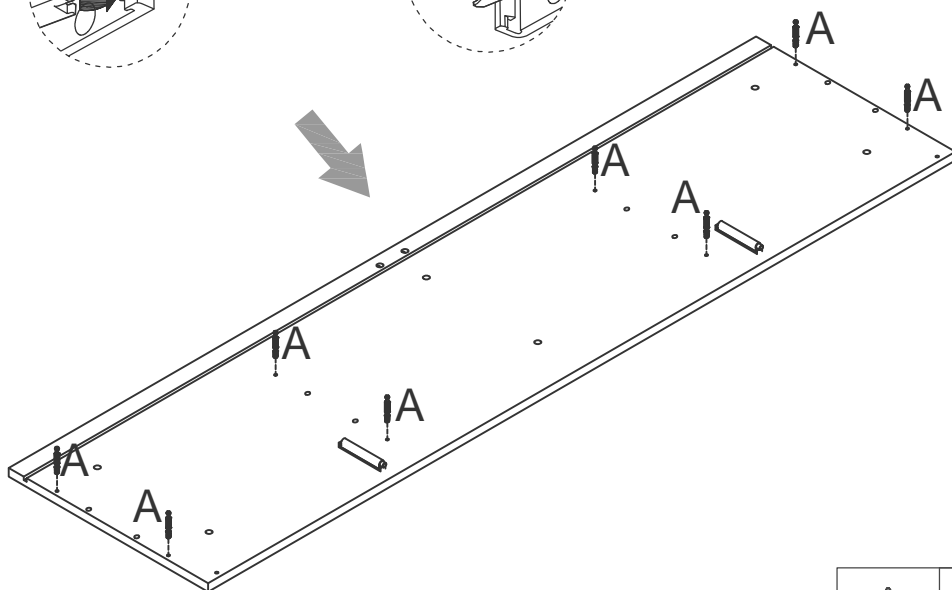
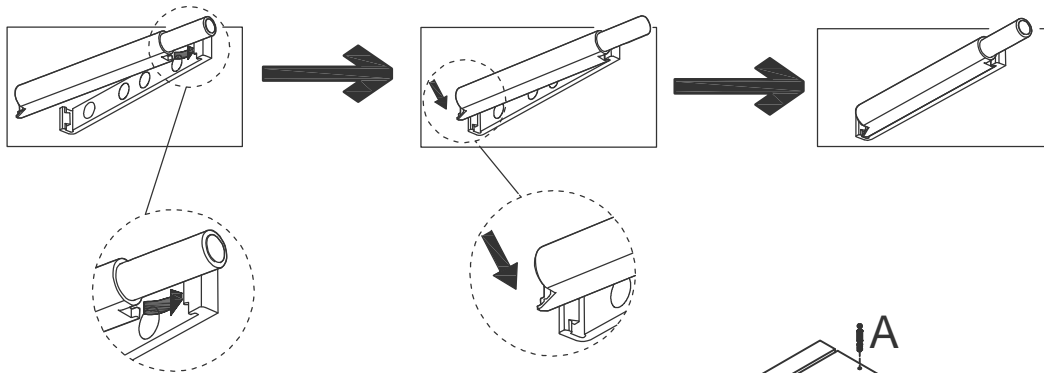
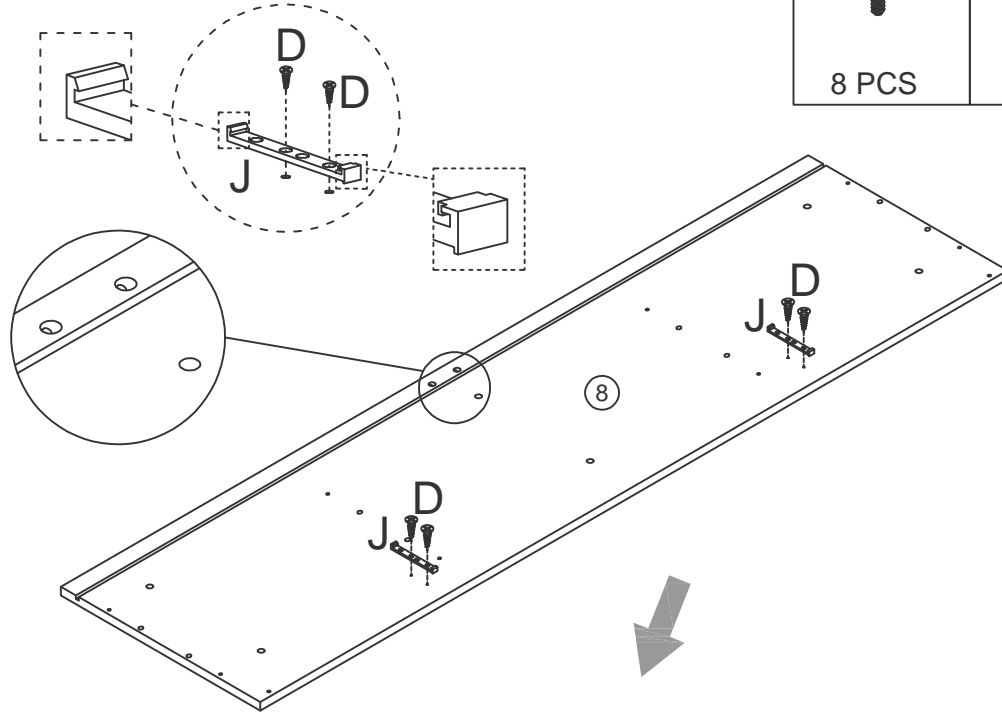


Remove the plastic piece before using the remote .  
Read the manual for the remote control .

# FTLFTS-6119

1

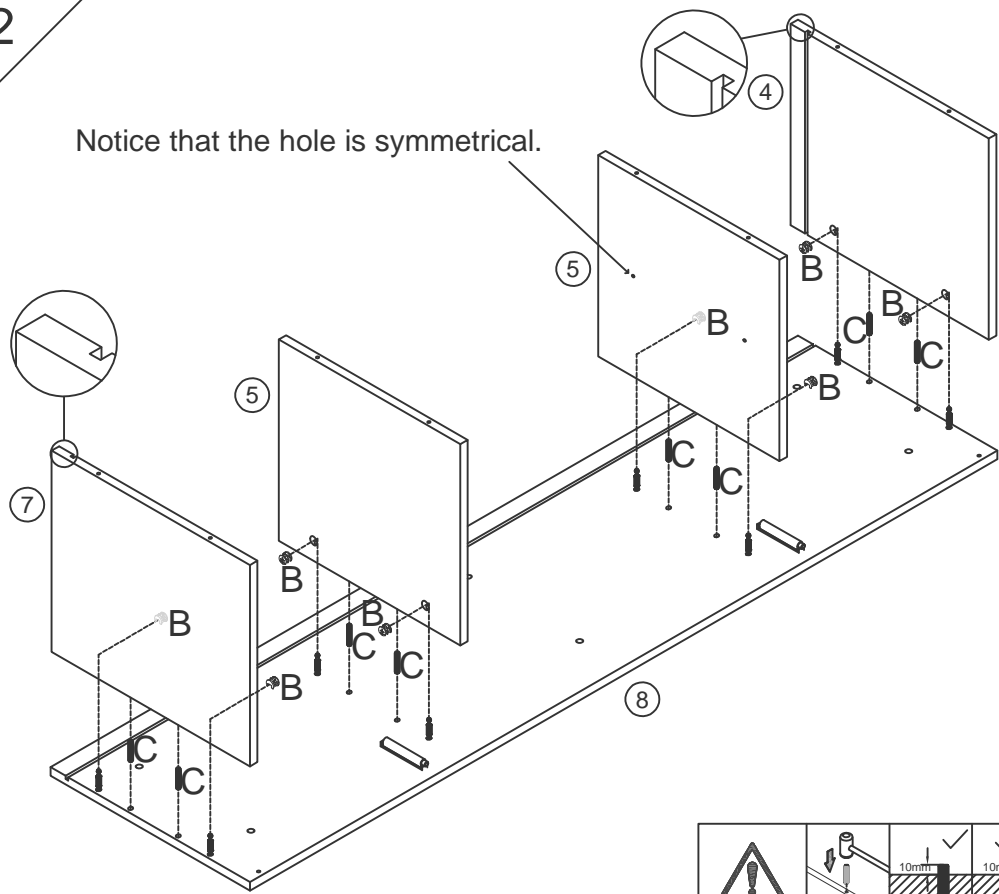
A	M5X42	D	M3.5X14	J
				
8 PCS		4 PCS		2 SETS


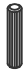


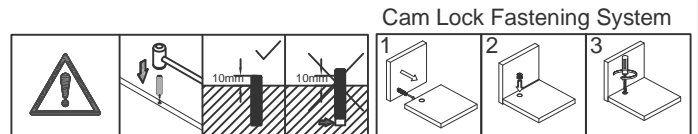
# FTLFTS-6119

2

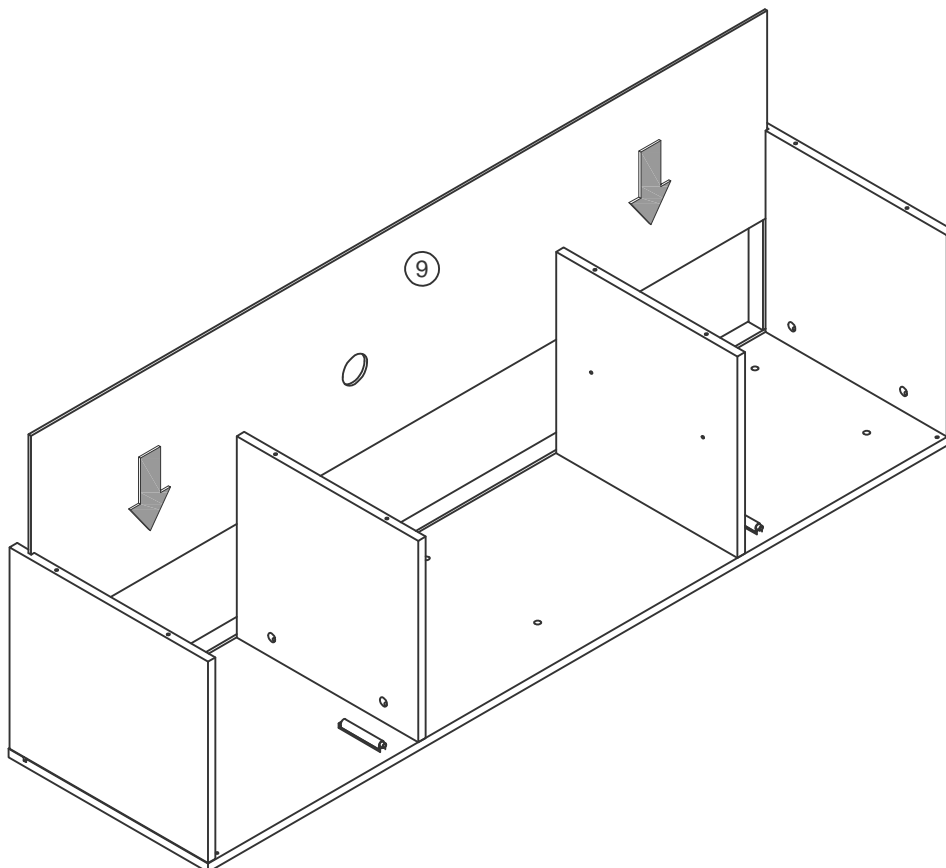
Notice that the hole is symmetrical.



<b>B</b> Ø15X12	<b>C</b> Ø8X40
	
8 PCS	8 PCS

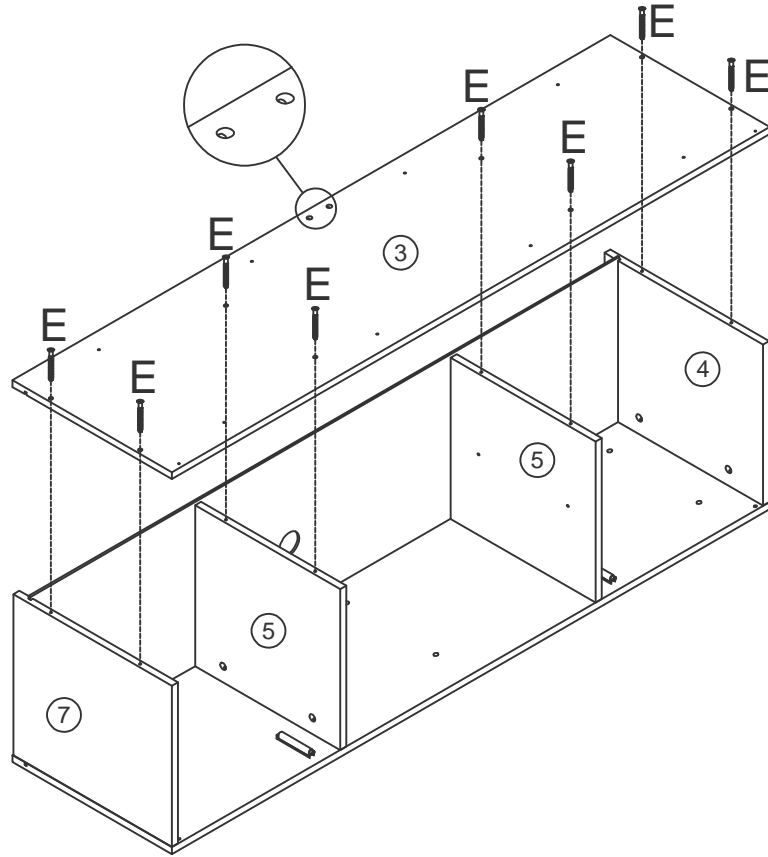


3



# FTLFTS-6119

4

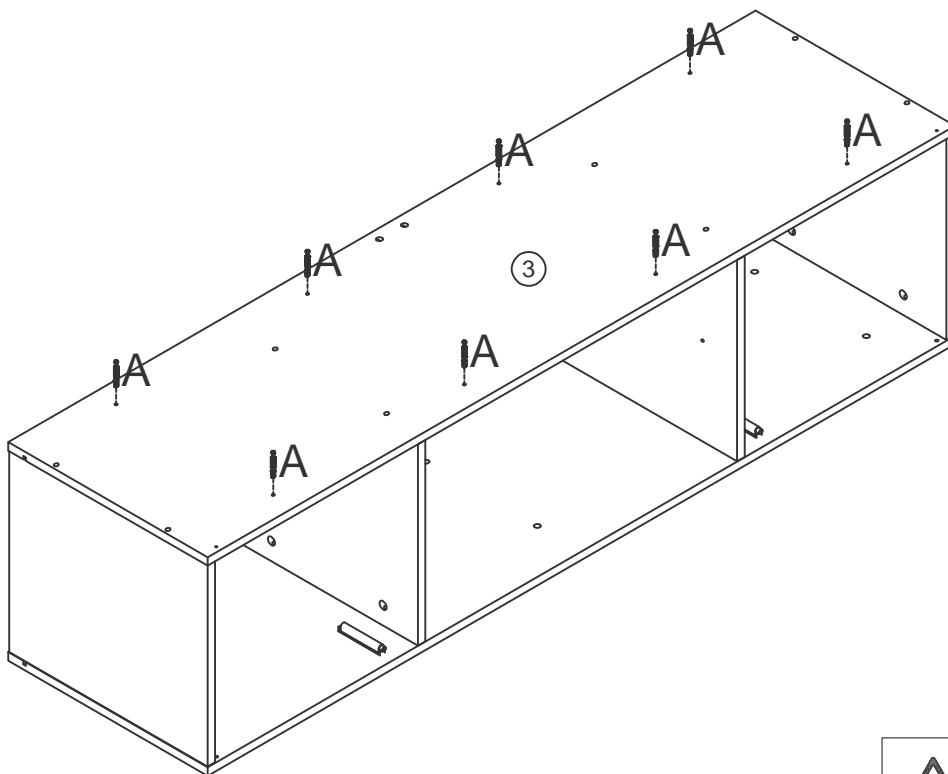


E M7X50



8 PCS

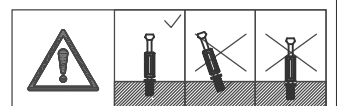
5



A M5X42



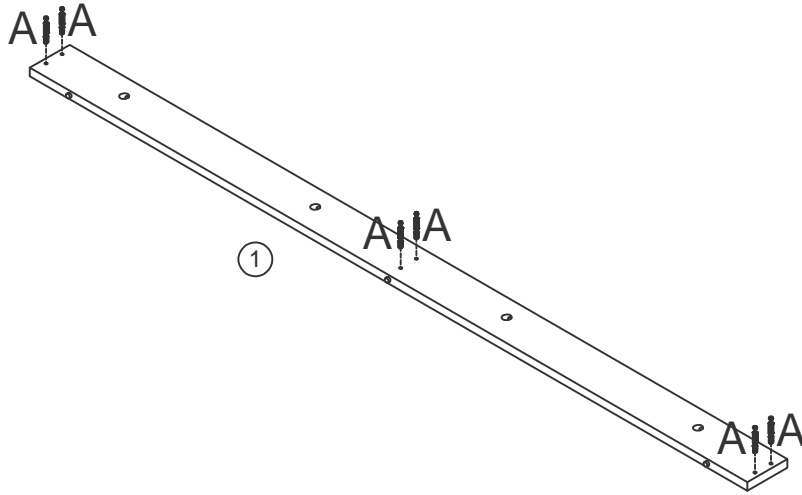
8 PCS





# FTLFTS-6119

6

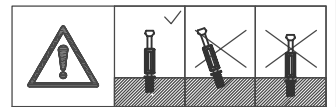


A M5X42

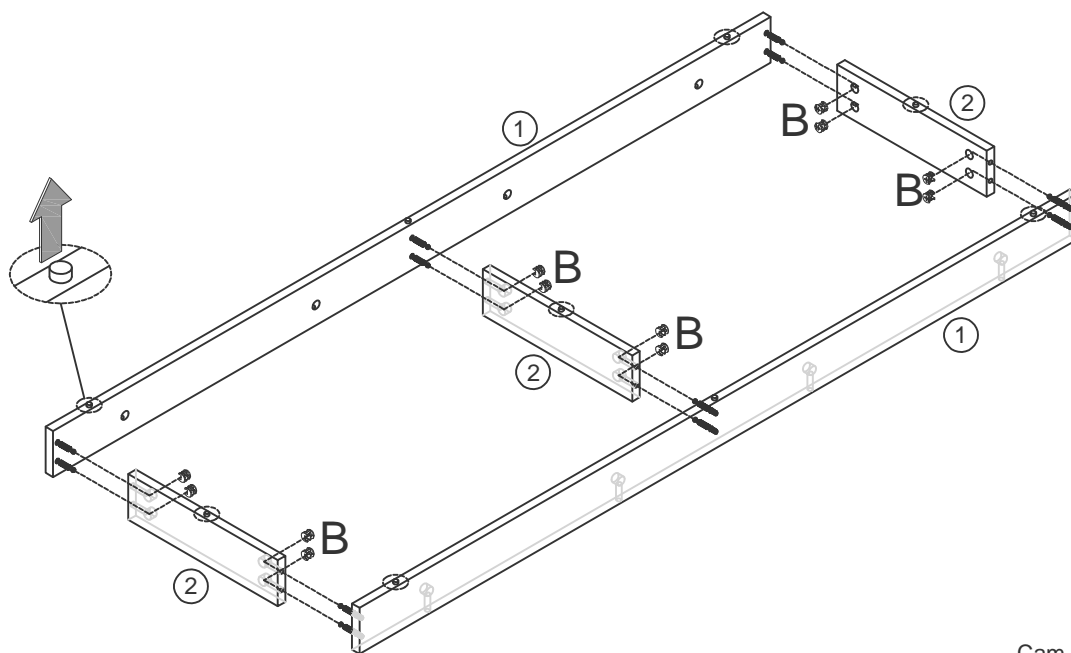


12 PCS

x 2



7

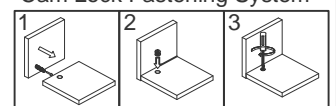


B Ø15X12



12 PCS

Cam Lock Fastening System



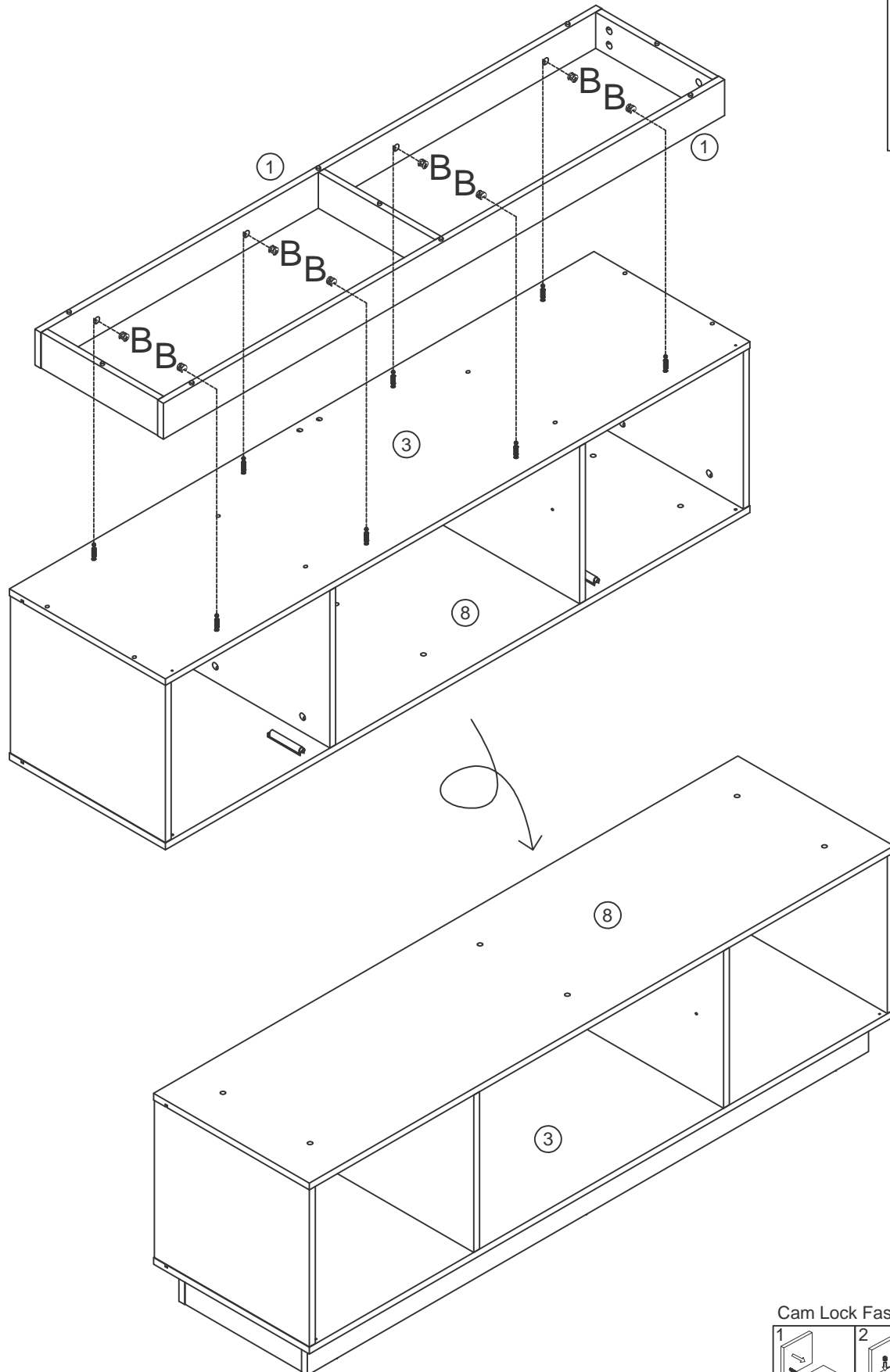
# FTLFTS-6119

8

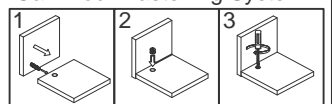
B Ø15X12



8 PCS



Cam Lock Fastening System



# FTLFTS-6119

9

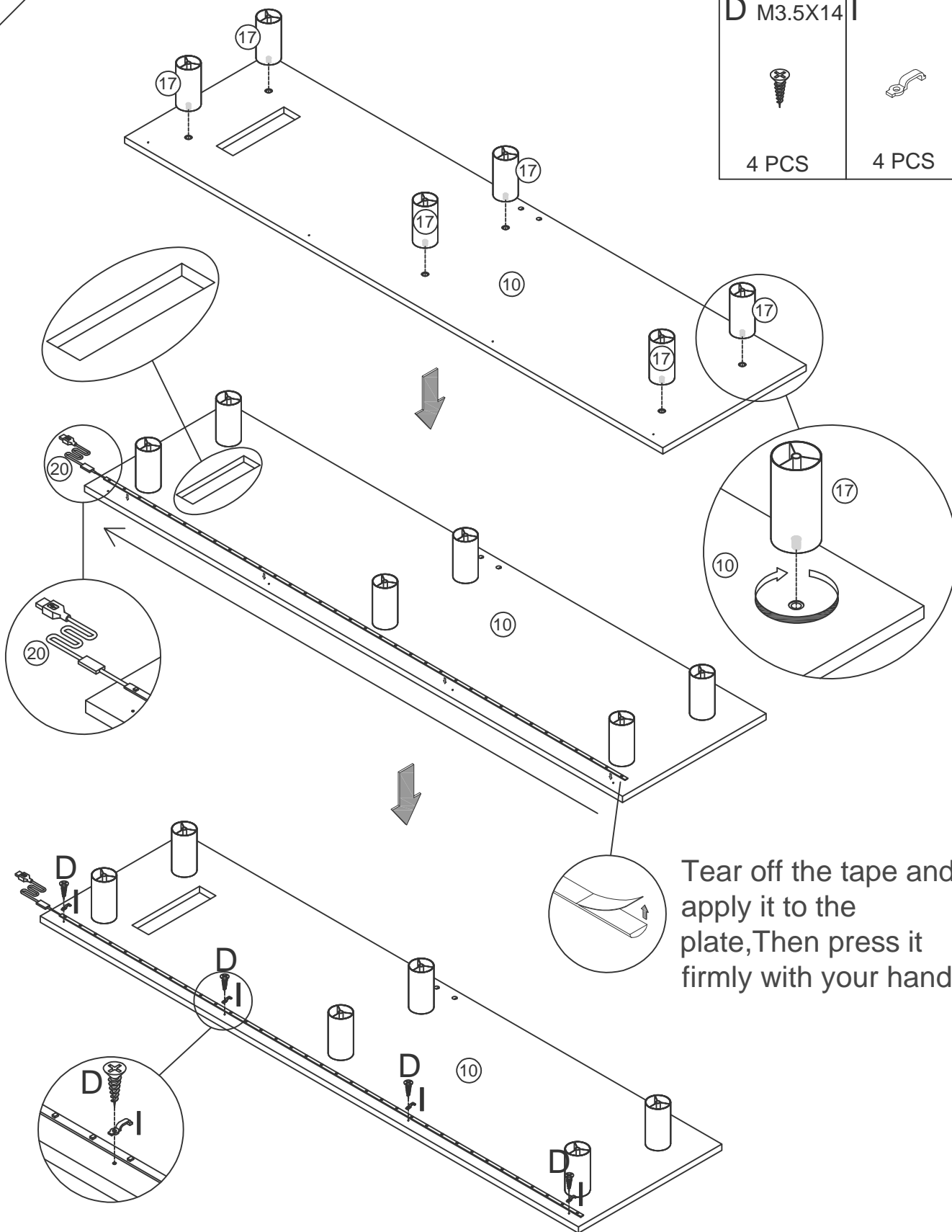
D M3.5X14 I



4 PCS

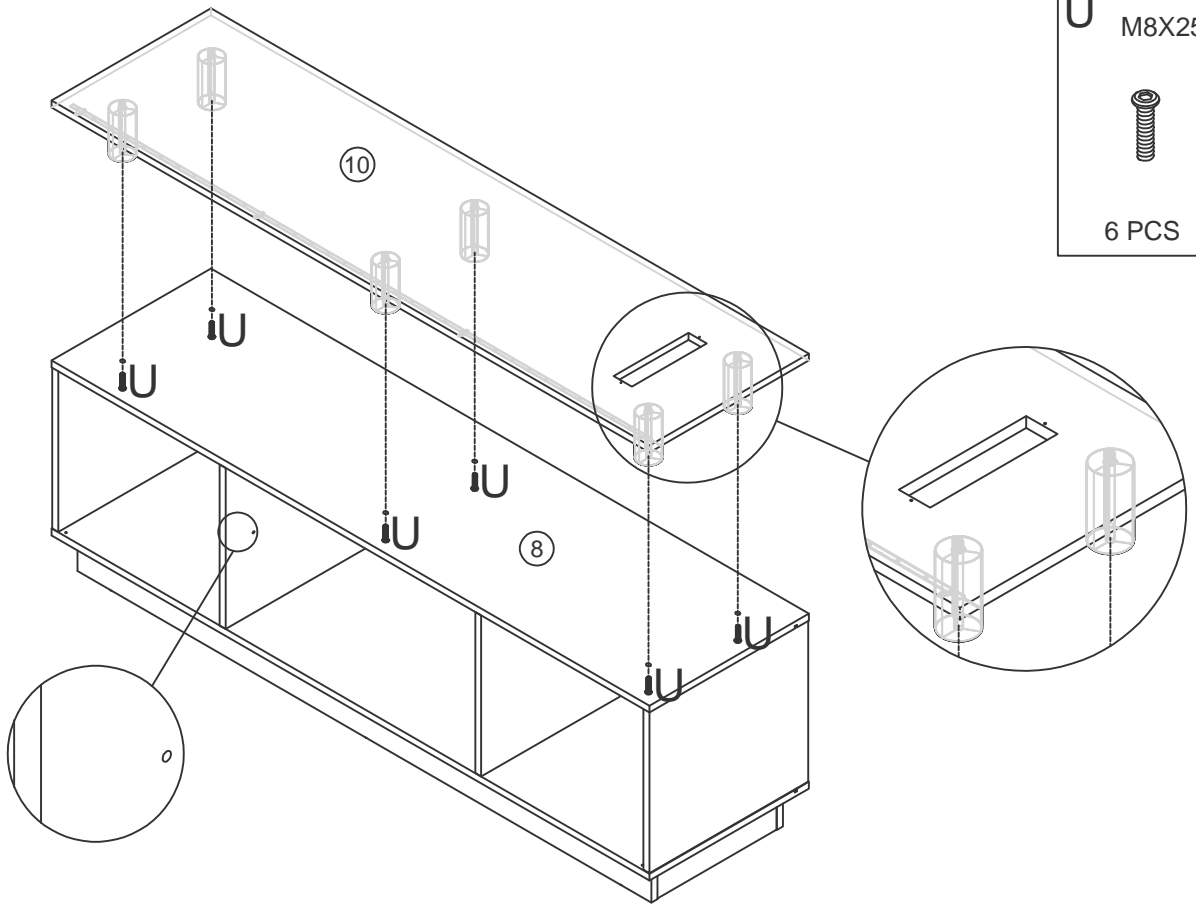


4 PCS



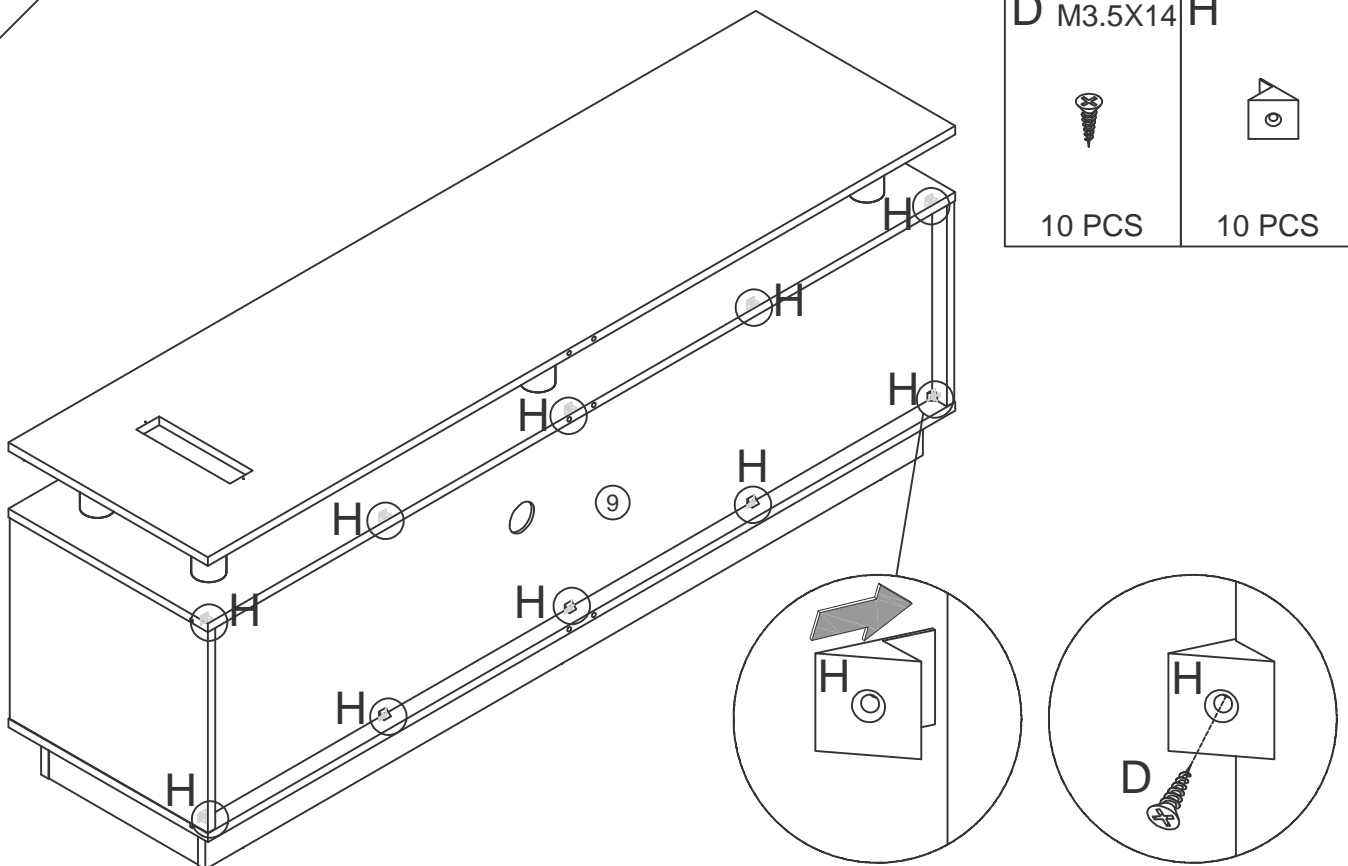
# FTLFTS-6119

10



U M8X25  
6 PCS

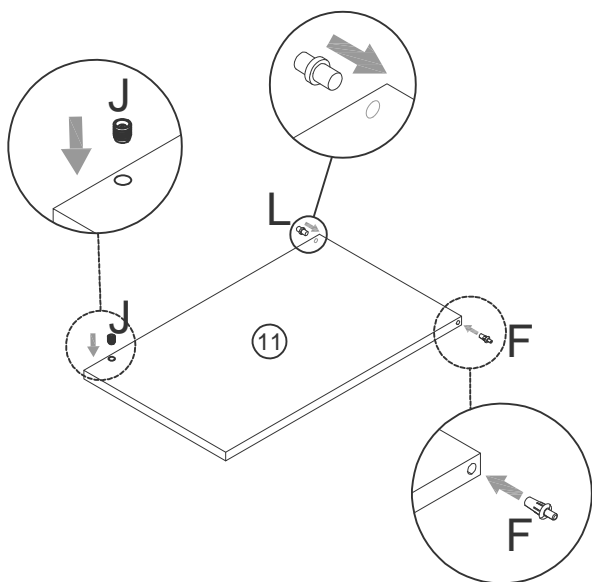
11



D M3.5X14 H  
10 PCS 10 PCS

# FTLFTS-6119

12

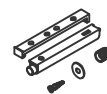


F



1 PCS

J

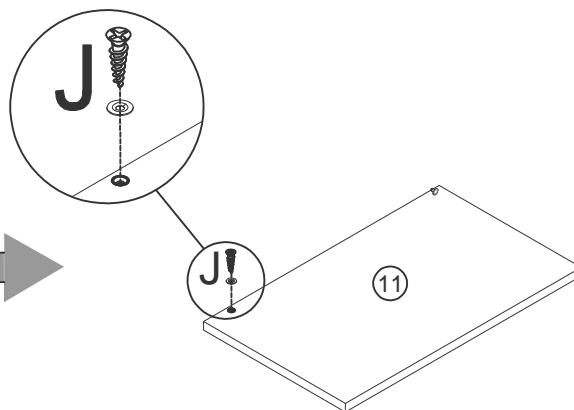
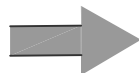


1 SETS

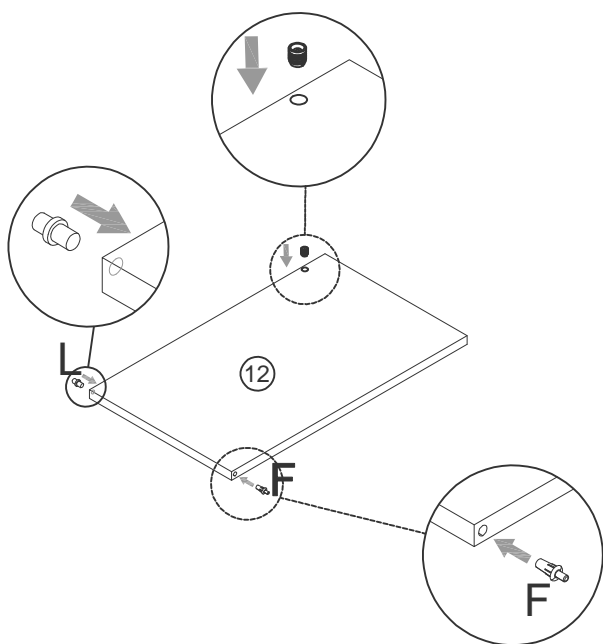
L



1 PCS



13

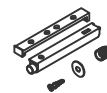


F



1 PCS

J

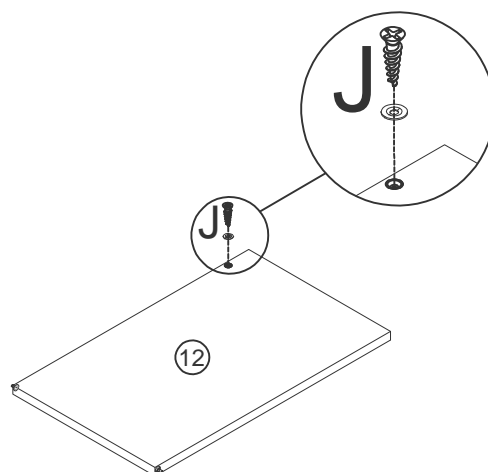
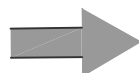


1 SETS

L

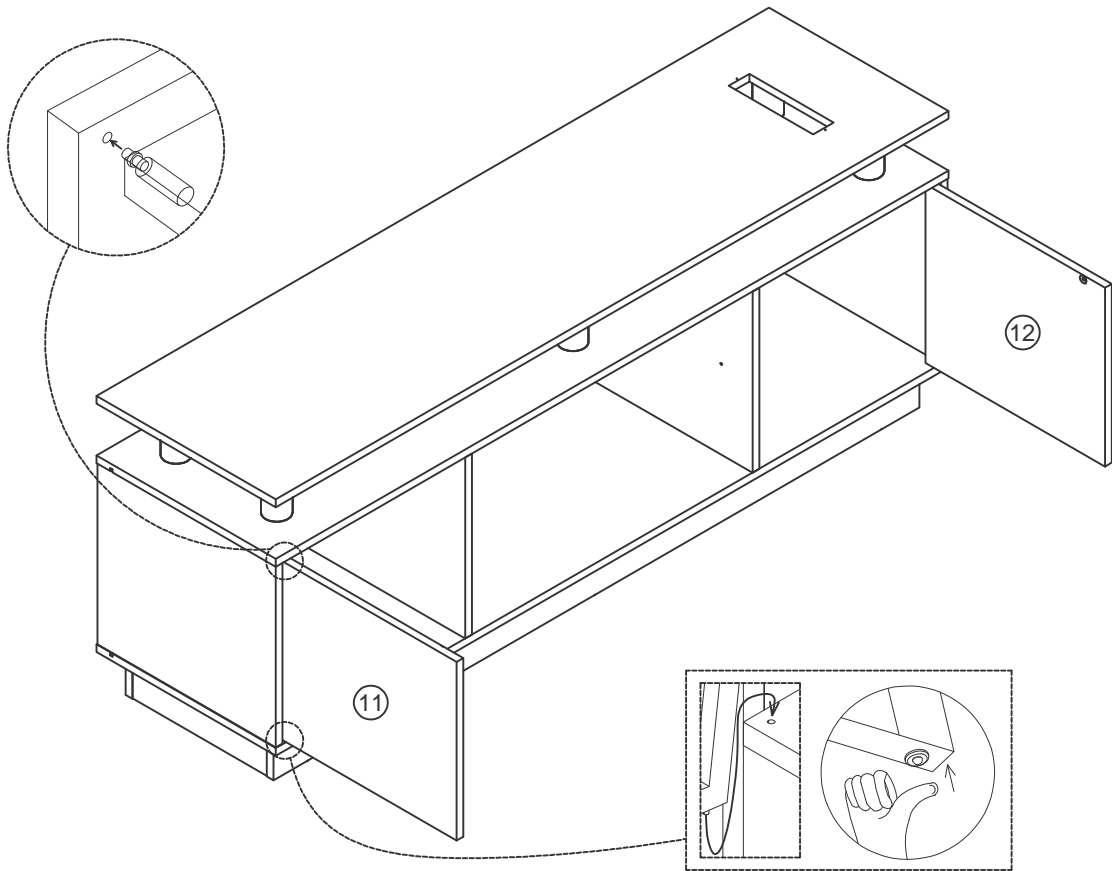


1 PCS

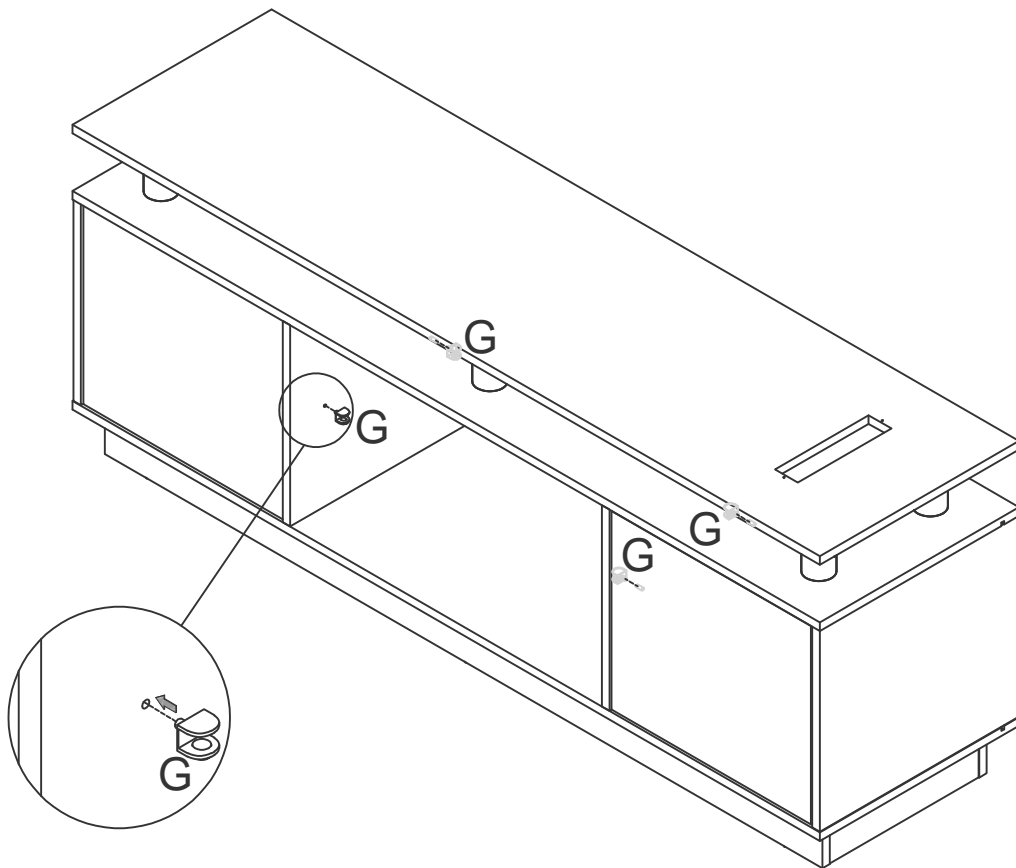


# FTLFTS-6119

14



15



G

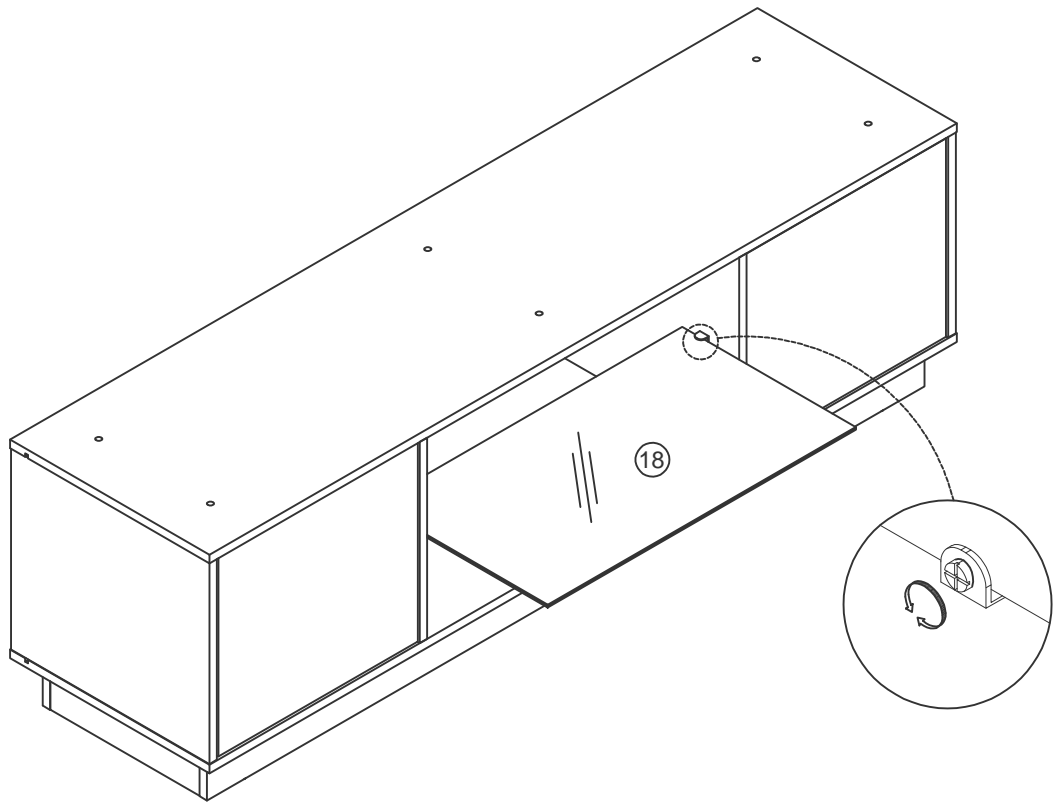


4 PCS

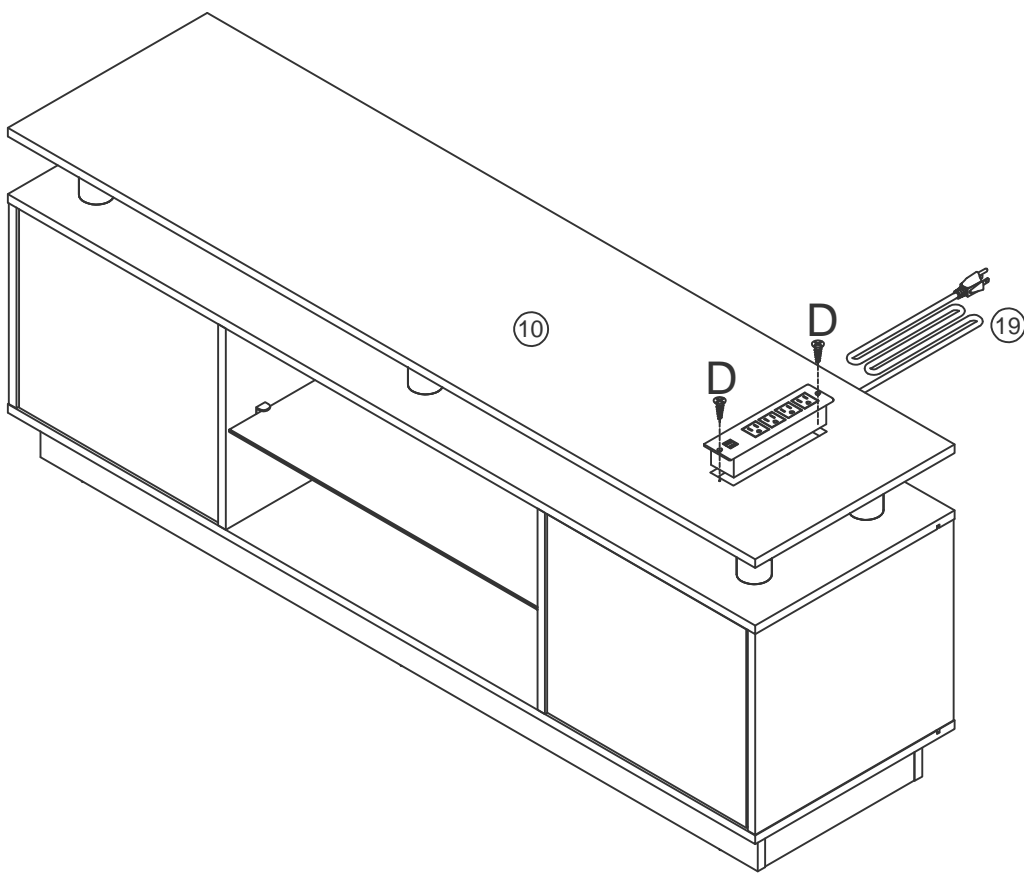


# FTLFTS-6119

16



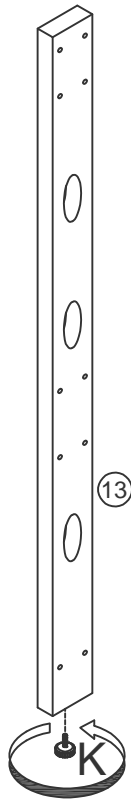
17



**D** M3.5X14  
  
2 PCS

# FTLFTS-6119

18

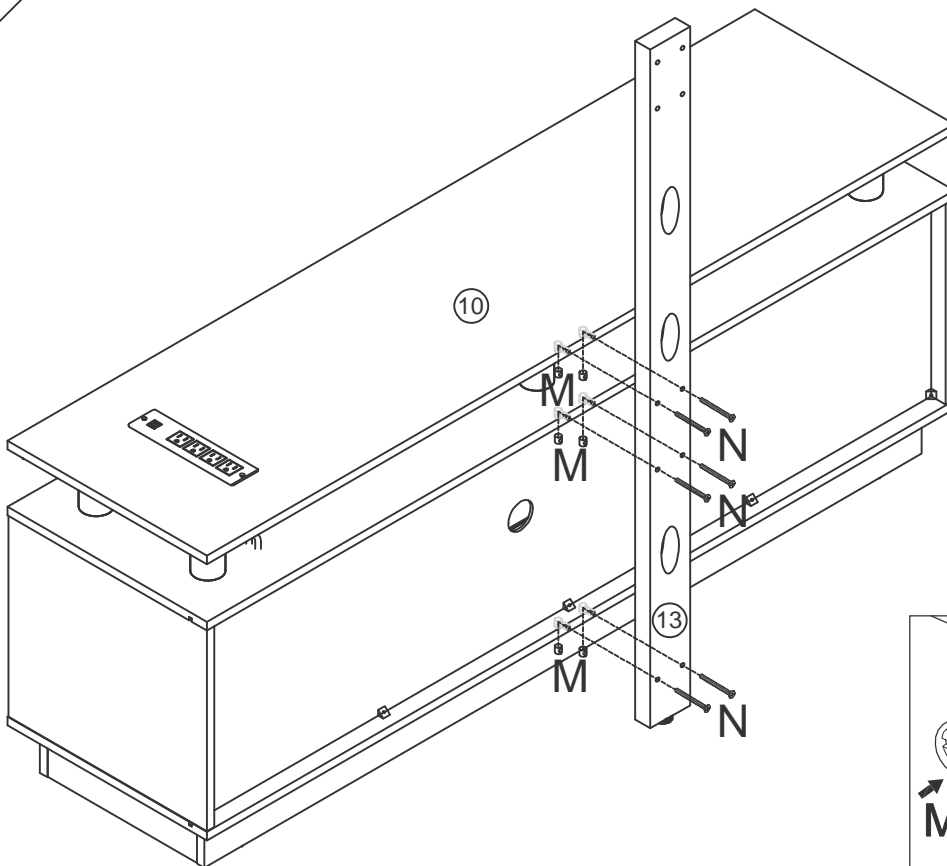


K M6



1 PCS

19

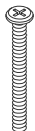


M M6

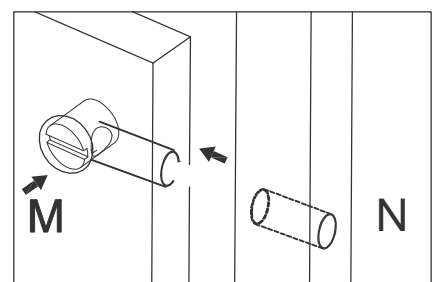


6 PCS

N M6x55

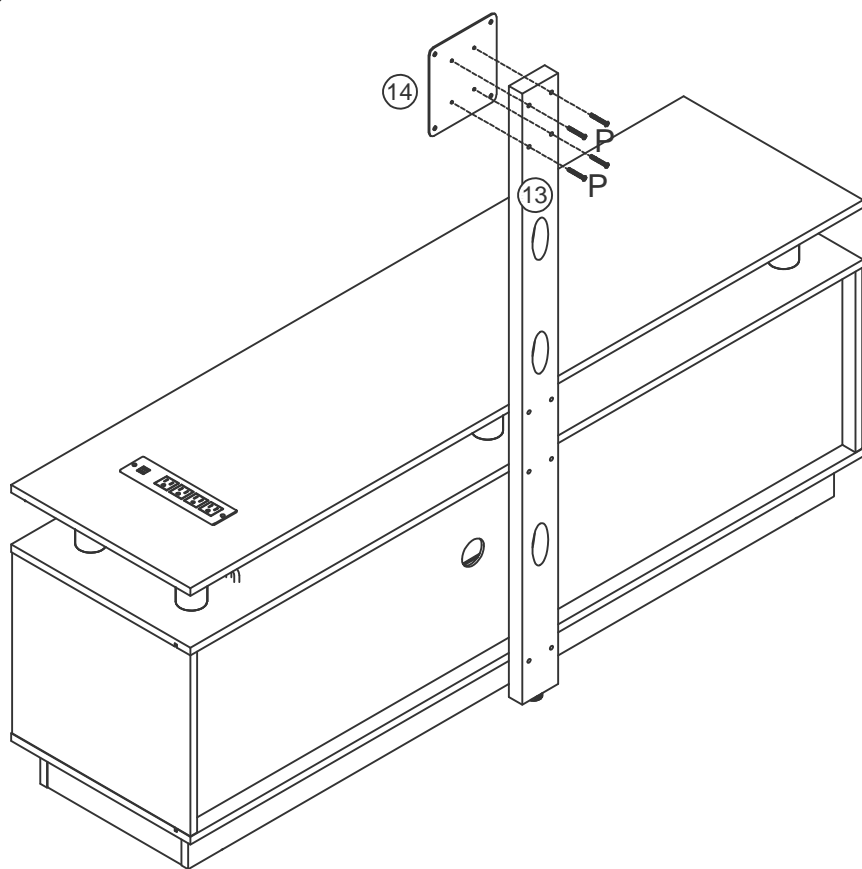


6 PCS



# FTLFTS-6119

20

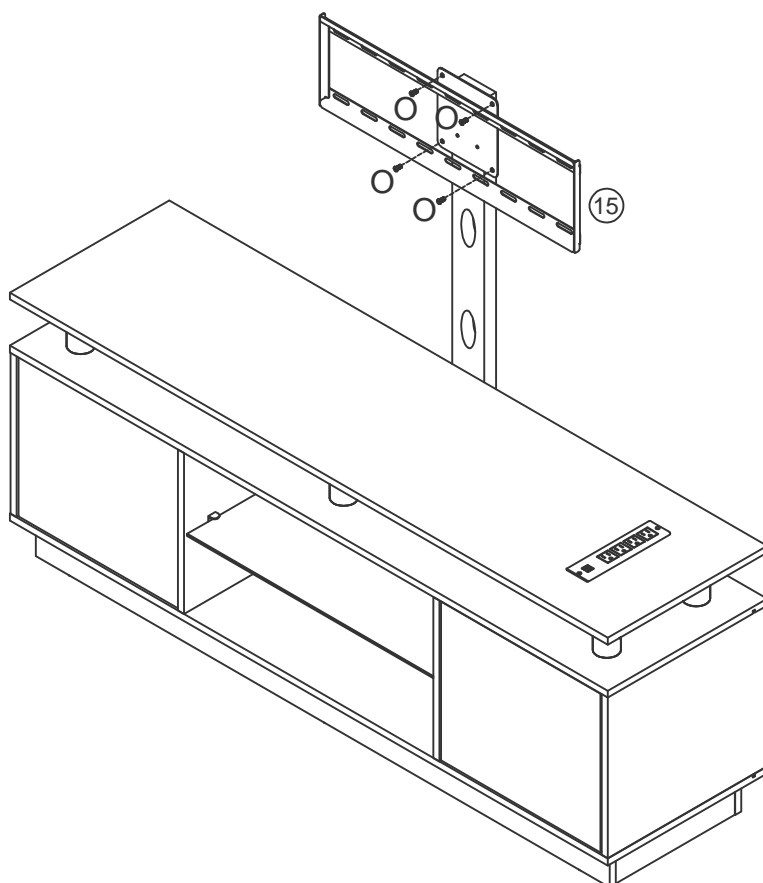


P M6x40



4 PCS

21



O M8x12

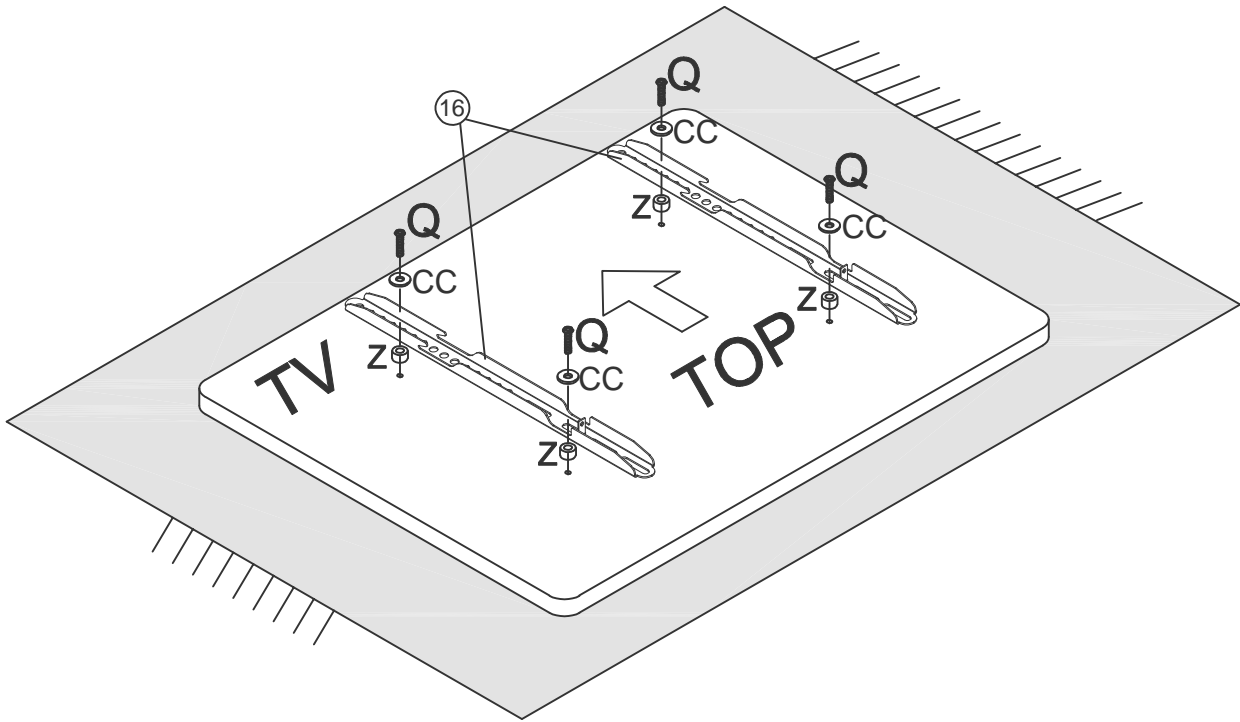


4 PCS

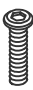







# FTLFTS-6119



22



Carefully lay the TV flat on a non-abrasive surface, making sure to place padding underneath to avoid damaging the screen.

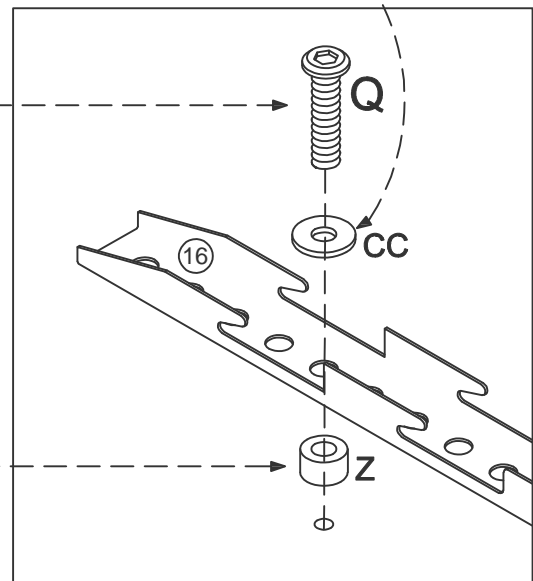


Choose the appropriate screws and spacers for your TV size

<b>Q</b> M6x25  4 PCS	<b>R</b> M5X25  4 PCS	<b>S</b> M5X35  4 PCS	<b>T</b> M6X35  4 PCS
<b>U</b> M8X25  4 PCS	<b>V</b> M8X35  4 PCS	<b>W</b> M4X12  4 PCS	<b>X</b> M4X30  4 PCS

<b>BB</b> M8X2.0/φ20  4 PCS	<b>CC</b> M6X1.2/φ16  4 PCS
--	--

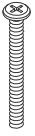
<b>Y</b> φ16Xφ10X20  4 PCS	<b>Z</b> φ18Xφ8X10  4 PCS
---	--



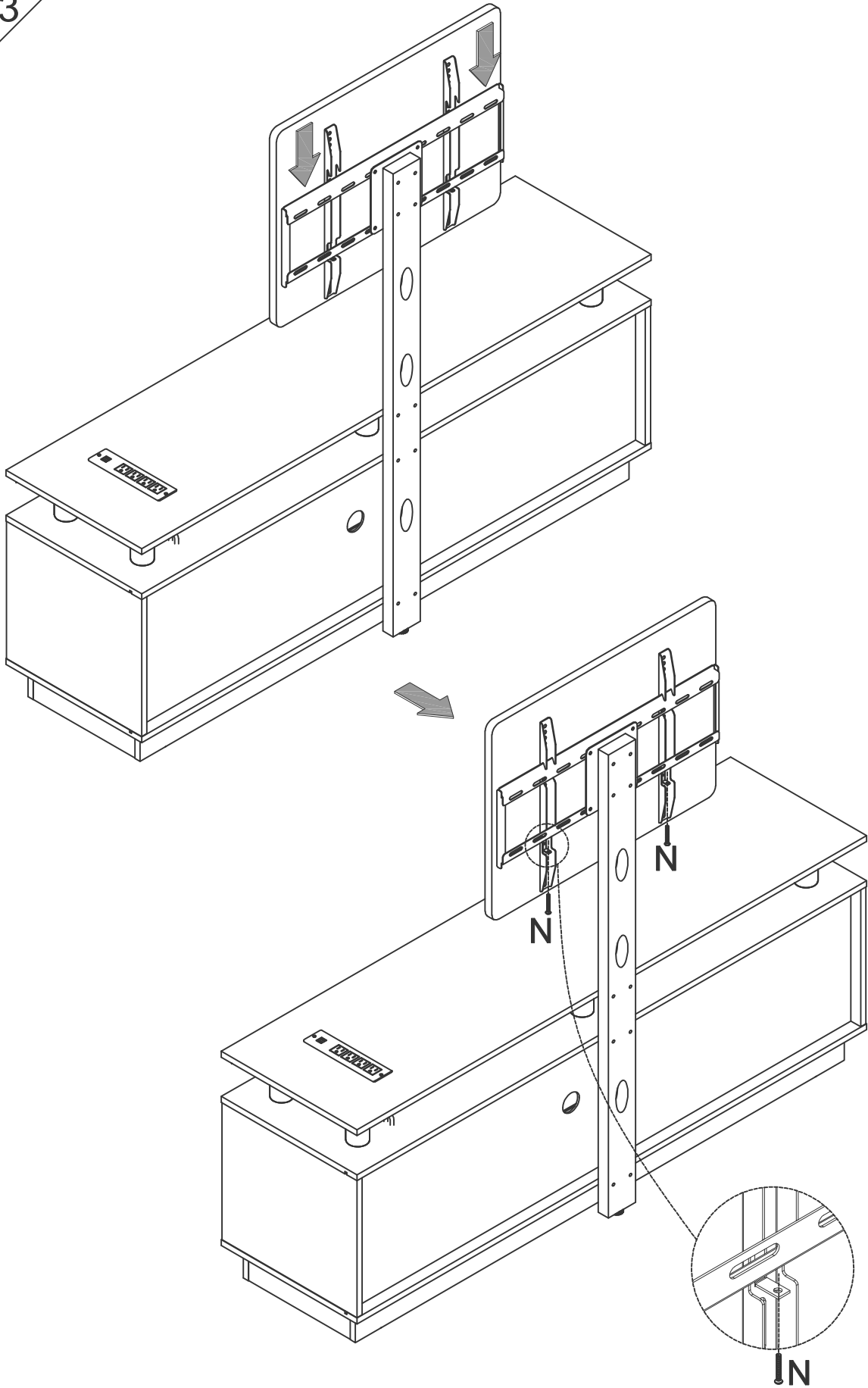
# FTLFTS-6119

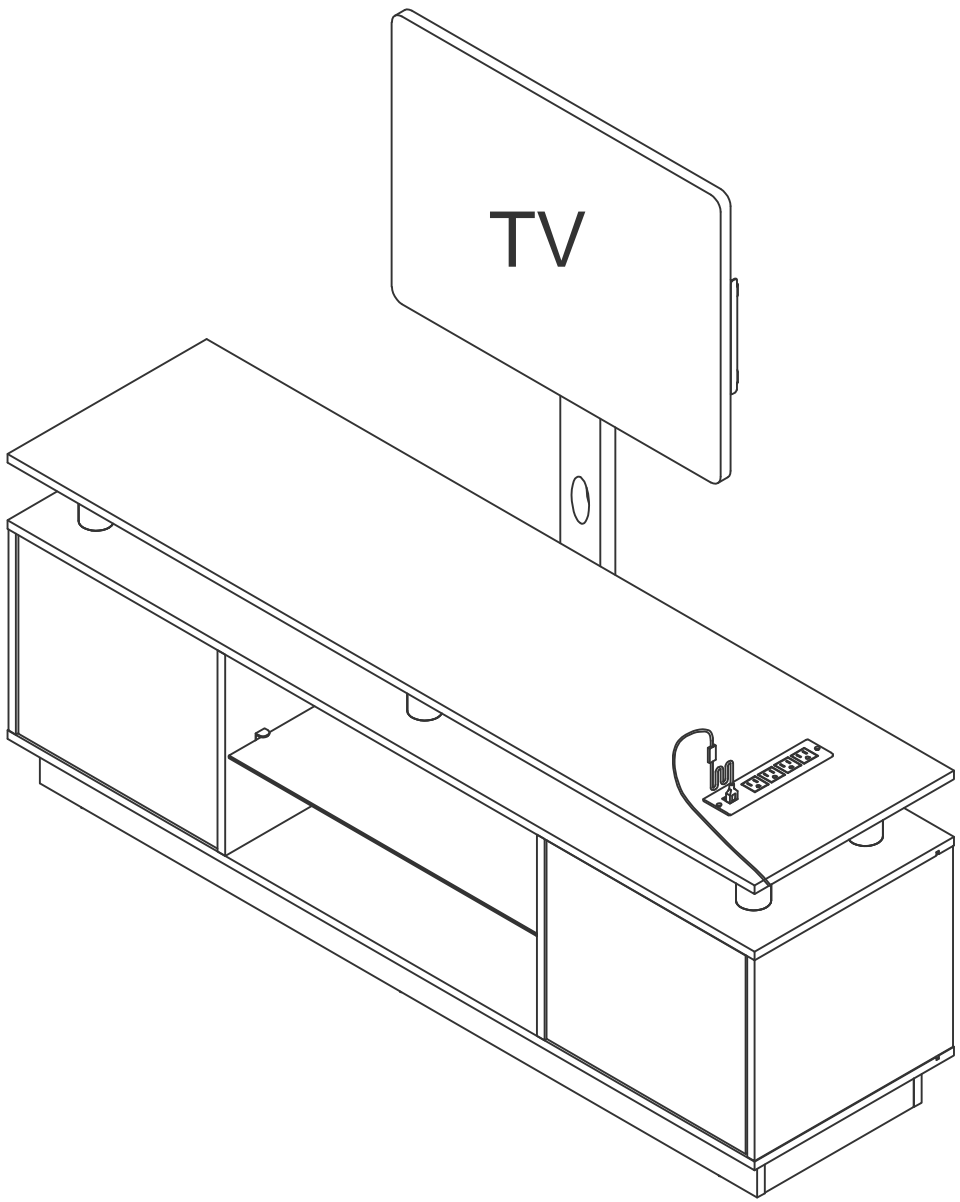
23

N M6x55



2 PCS





**Installation Completed**