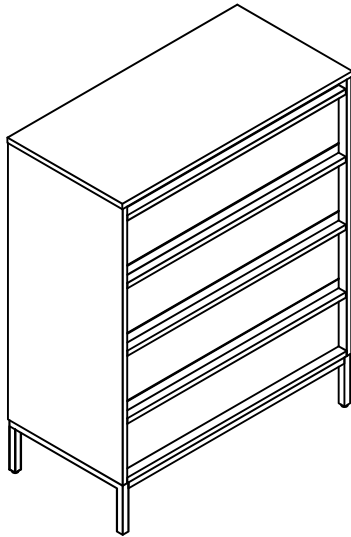


# ASSEMBLY GUIDE



**Important - Please read these instructions fully before starting assembly**



### **SAFETY AND CARE ADVICE**



### **NO POWER TOOLS**

#### **SAFETY AND CARE ADVICE**

- Check you have all the components and tools listed.
- Remove all fittings from the plastic bags and separate them into their groups.
- We do not recommend the use of power drills/drivers for inserting screws, as this could damage the unit. Only use hand screwdrivers and Allen keys.
- Keep children and animals away from the work area, small parts could cause choking if swallowed.
- Make sure you have enough space to lay out the parts before starting.
- Assemble the item as close to its final position (in the same room) as possible.
- Do not overtighten the nuts to avoid causing damage to the threads.
- Only clean using a damp cloth and mild detergent, do not use bleach or abrasive cleaners.
- From time to time check that there are no loose screws on this unit.
- This product should not be discarded with household waste. Take to your local authority waste disposal centre.
- **Warning:** Unfixed furniture may tip over. We strongly advise you use the anti-tipping kit provided to secure your shelves to the wall. Please use appropriate fixings for your wall and get professional advice if unsure.

# IMPORTANT INFORMATION



30 MINUTE  
BUILD



TWO  
PERSON



MAXIMUM  
CAPACITY 80Kg

PLEASE CHECK CAREFULLY AND MAKE SURE YOU HAVE ALL FITTINGS AND TOOLS LISTED BELOW BEFORE YOU START.

DESCRIPTION	PART NAME	Q'ty(PCS)
①		1
②		1
③		4
④		2
⑤		2

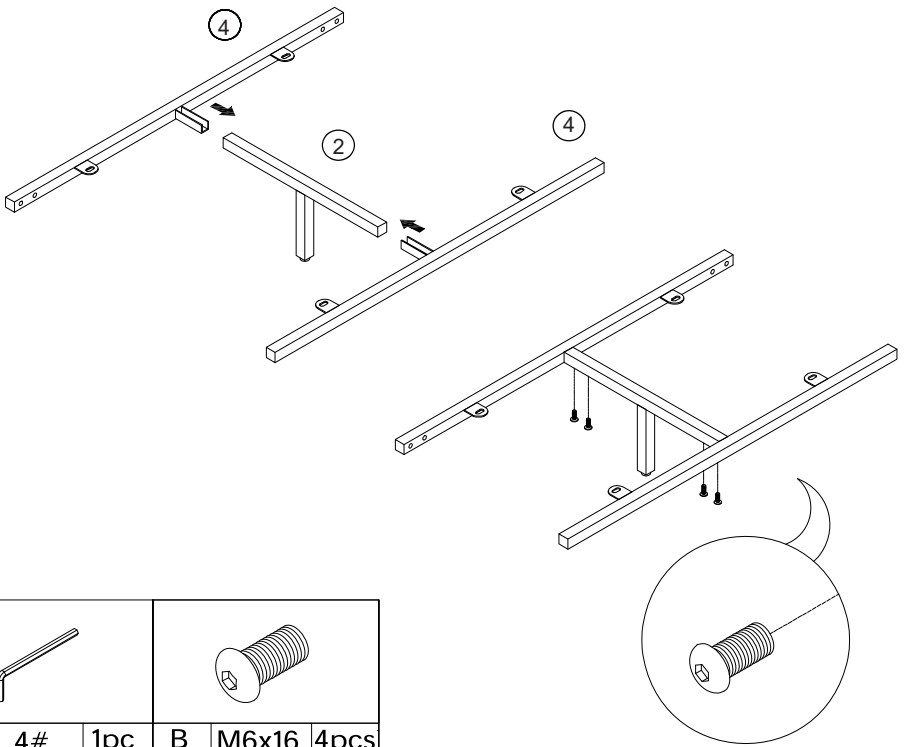
## Parts for Leg Assembly

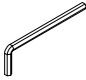
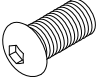
A		BOLT M6*12MM	6 PCS
B		BOLT M6*16MM	12 PCS
C		ALLEN KEY	1 PC
D		BOLT M4*20MM	12 PCS

**NOTE:** The quantities above are the correct amount to complete the assembly. In some cases more fittings may be supplied than are required.

# STEP 1

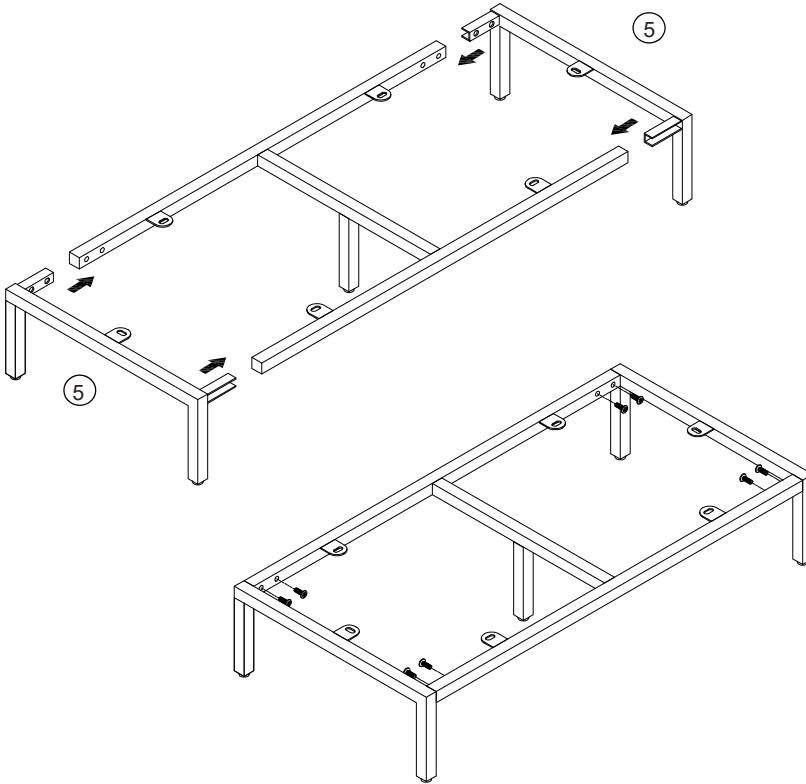
Use a clean, flat, soft surface to avoid any bumps or scratches.  
Attach center leg [2] and 2 x long support tubes [4] using 4 x bolts [B].  
Tighten bolts [B] with Allen Key [C].

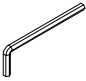
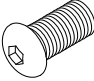


					
C	4#	1pc	B	M6x16	4pcs

## STEP 2

Attach 2 x legs [5] to the ends of support tubes [4] using 8x bolts [B].  
Tighten bolts [B] with Allen Key [C].

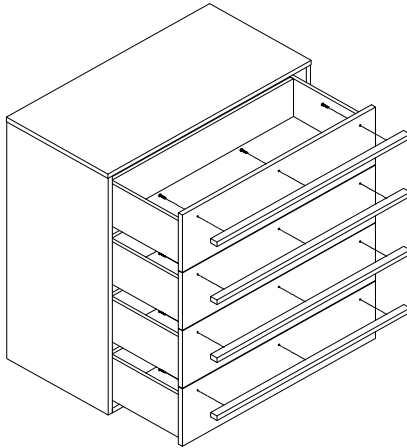


					
C	4#	1pc	B	M6x16	8pcs

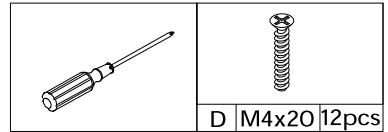


## STEP 3

Carefully, unpack the assembled chest.  
Attach 1x handle [3] to each drawer front with 3 x bolts [D] using a screwdriver.

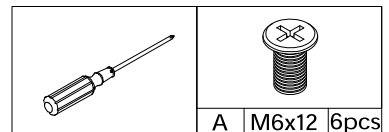
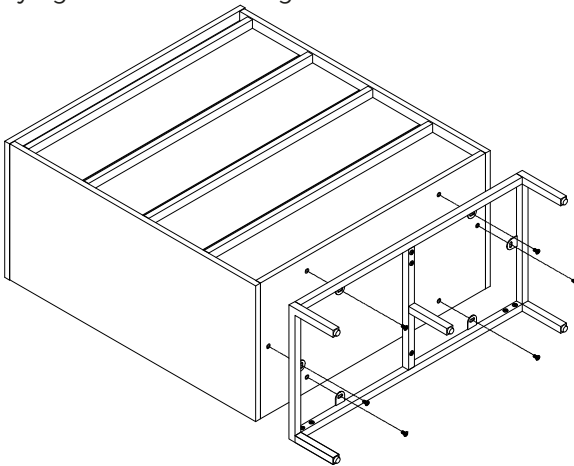


3



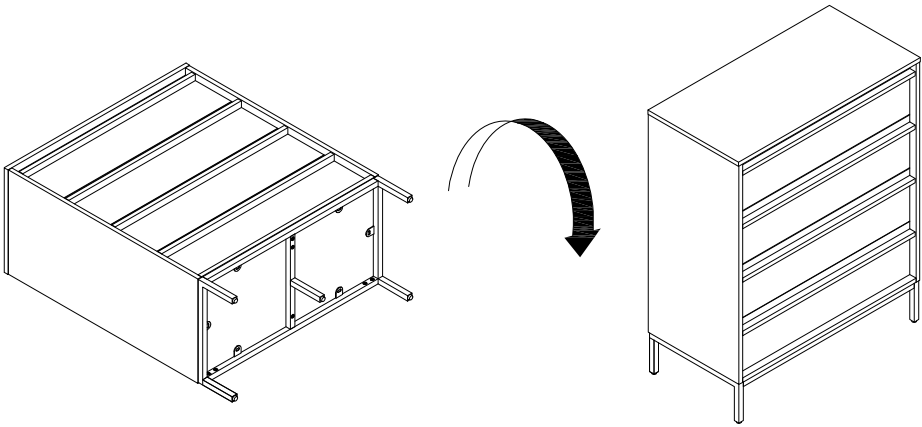
## STEP 4

Carefully, place your chest on its back on a soft surface.  
Attach the leg frame onto the bottom of the chest with 6 x bolts [A].  
Fully tighten all bolts using a screwdriver.



## STEP 5

Carefully, and with help, stand the chest on its legs.



## STEP 6

### Anti Tipping Kit Instructions

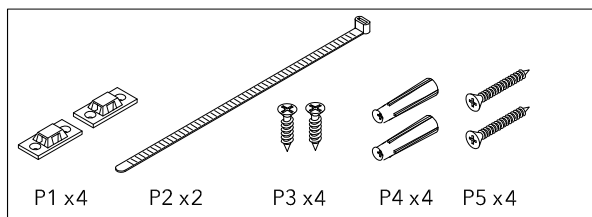
**Warning:** Unfixed furniture may tip over. We strongly advise you use the anti-tipping kit provided to secure your furniture to the wall. Please use appropriate fixings for your wall and get professional advice if unsure.

The plastic anchors are designed for fixing to concrete walls only.

Please use appropriate fixings for your wall and get professional advice if unsure.

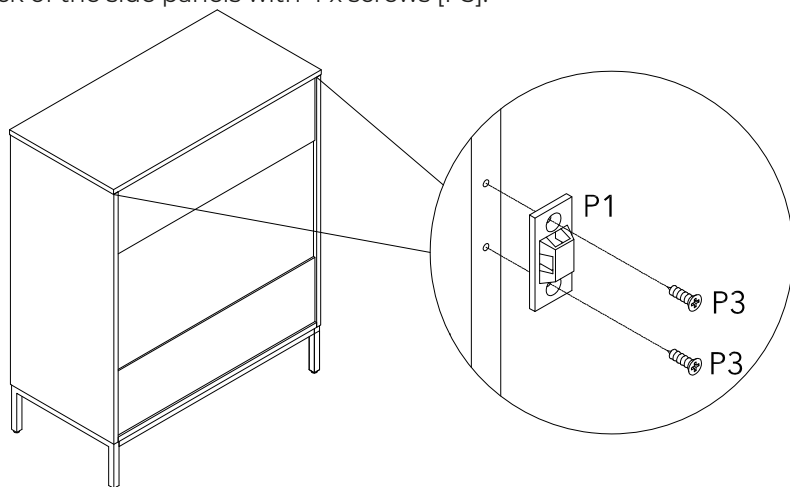
#### Hardware

- 4x Plastic brackets (P1)
- 2x Zip ties (P2)
- 4x Screws M4 \*16 (P3)
- 4x Plastic anchor  $\text{Ø}6 \times 30$  (P4)
- 4x Wall screw M4 \*40 (P5)



## STEP 7

We recommend the plastic connectors be fitted just below the top of the unit to remain invisible when the unit is in place. Fasten 2x Plastic brackets [P1] to the back of the side panels with 4 x screws [P3].



## STEP 8

With help, move the chest into position. Mark fixing holes on wall and remove the chest

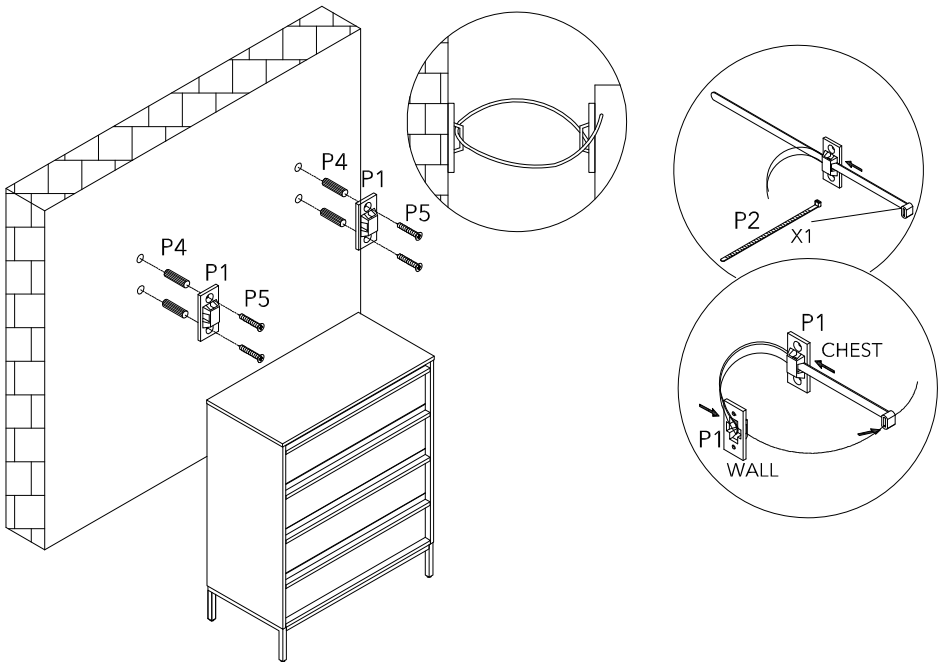
Carefully drill holes in the wall. Fix plastic brackets [P1] to the wall with 4 x plastic anchors [P4] and 4 x wall screws [P5].

Move the chest closer to the wall, and pass flat end of the cable tie through the plastic bracket [P1] on the wall, then loop the cable tie through the bracket [P1] on the chest.

Insert the flat end of the cable tie into the buckle of the cable tie, then tighten the cable tie.

Ensure everything is secure.

Your chest is now secured to the wall and ready to use.





## OUR 2 YEAR GUARANTEE

our products come with a 2 year guarantee to give you peace of mind shopping at

some garden furniture items have a 1 year guarantee



## WHAT THE GUARANTEE COVERS



### PRE-INSERTED FIXINGS

e.g. loose metal threads



### FAULTY JOINTS

e.g. legs bending



### EXTERNAL FIXING FAULTS

e.g. metal discs removing from table top



### STRUCTURAL INTEGRITY

e.g. the frame of the product

