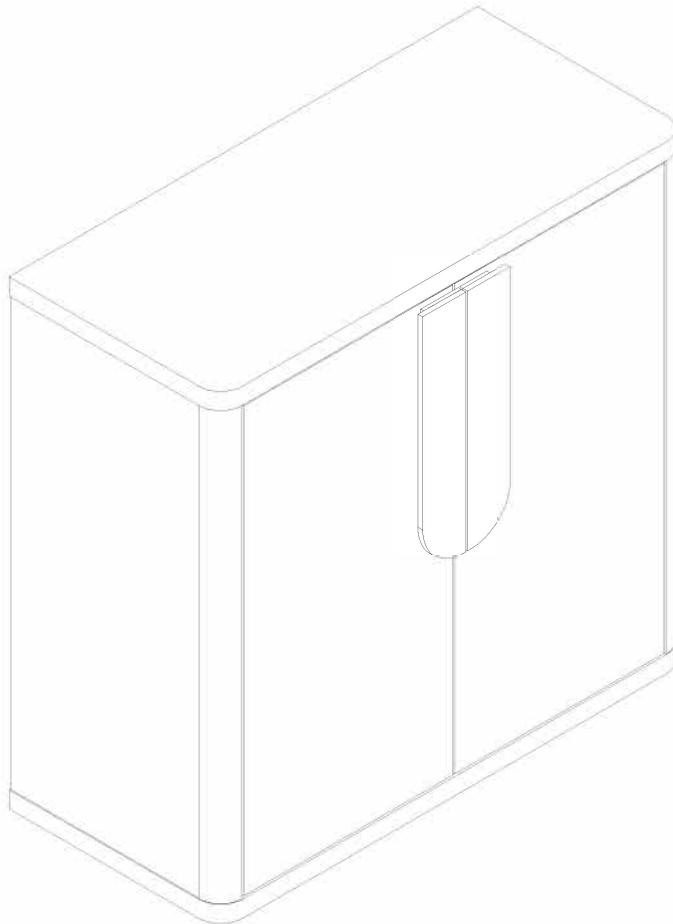


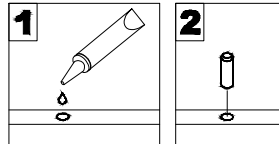
MODEL NO: RYXCBG-KXB-001; RYXCBG-KXB-002



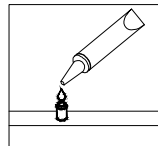
**After sales service E-mail:
cs.nowabay@outlook.com**

General Assembly Guidelines

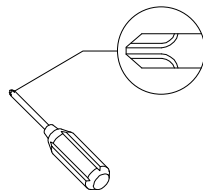
- I. Ensure that all parts and hardware are available before beginning assembly.
- II. Follow each step carefully to ensure the proper assembly of this product.
- III. Two people are recommended for ease in the assembly of this product.
- IV. The three main types of hardware used to assemble this product are :wood dowels,screws and bolts.
- V. The provided glue is to secure wood dowels in place.When first inserting dowels, locate the appropriate hole for the dowel,place a small amount of glue in the hole and insert the dowel.Wipe away excess glue immediately.



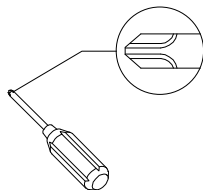
In future assembly steps when dowels are necessary to attach assembly parts together,place a small amount of glue on the end of the dowel before attaching parts together. Wipe away excess glue immediately.



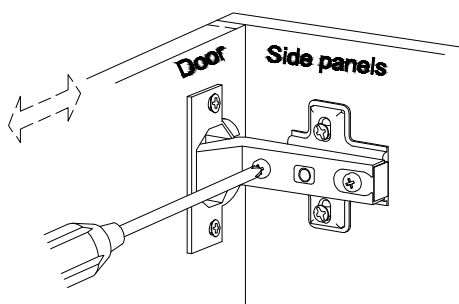
- VI. A Phillips head screwdriver is required for the assembly of this product.



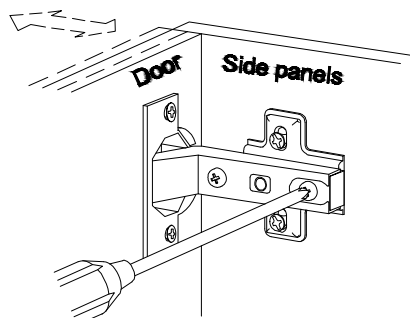
- VI. Power tools should not be used to assemble this product.



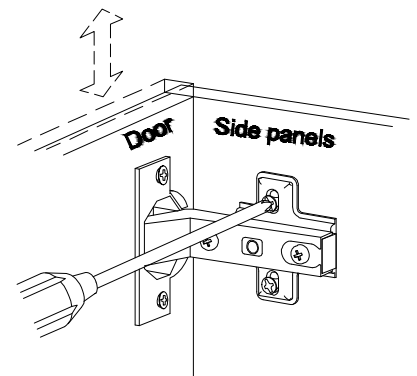
- VIII. Drill may be needed for securing product to wall .
Conceale hinges are three-way adjustable.



Horizontal
by screw adjustment

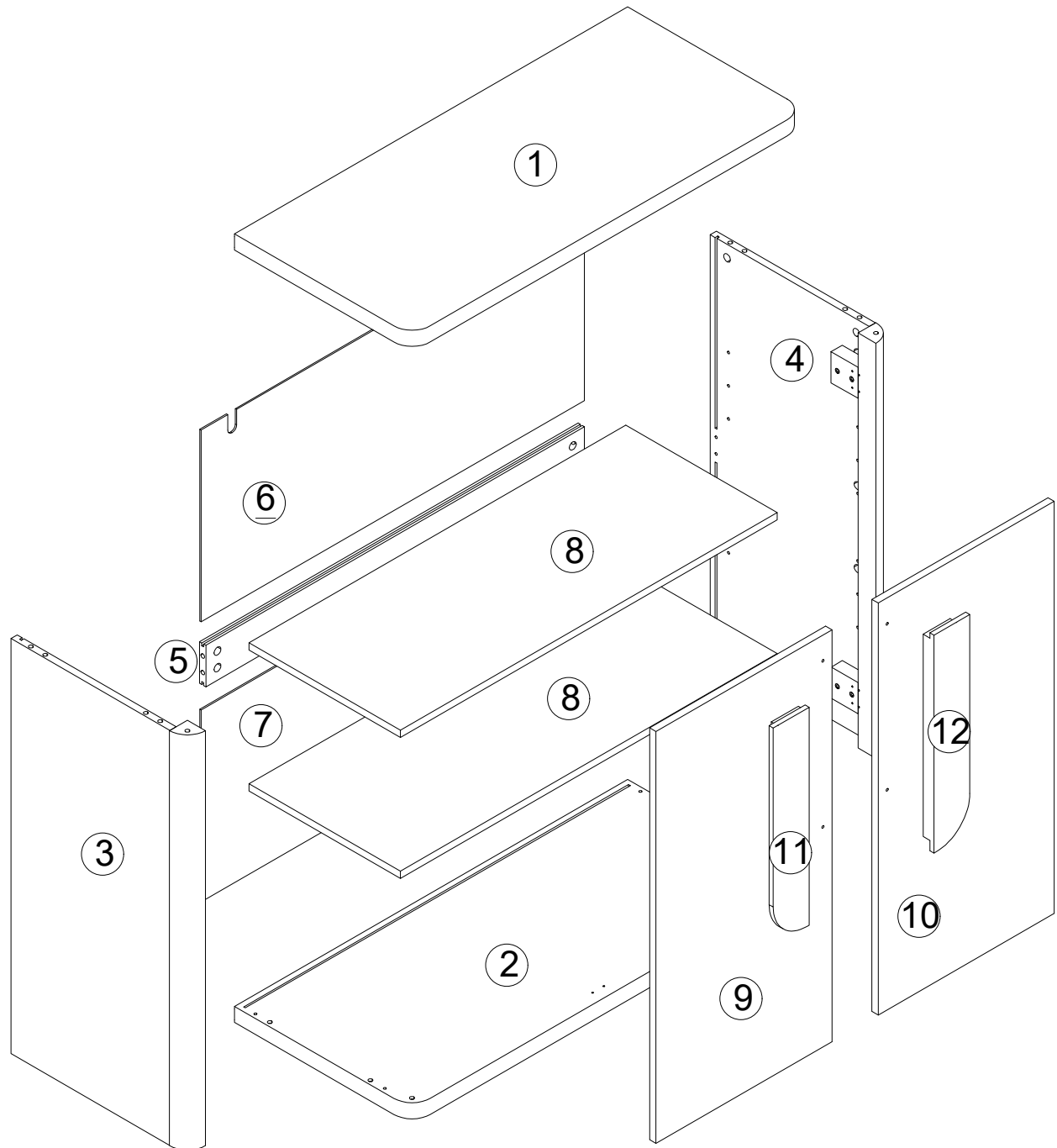


In-and-Out
by loosening the hinge-arm
mounting screw or via cam

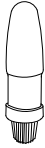





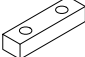
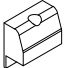


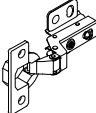

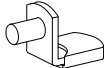


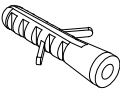
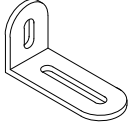

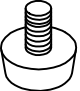


Vertical
Via slots in mounting
plate or via cam adjustment

Components List



Hardware List

<p>A</p>  <p>Glue Qty: 1</p>	<p>B</p>  <p>Wood Dowel Ø8*30mm Qty: 12</p>	<p>C</p>  <p>Cam Lock Ø15*9mm Qty: 8</p>	<p>D</p>  <p>Cam Bolt Ø7*34mm Qty: 8</p>	<p>E</p>  <p>Handle bolt Ø5/32*23mm Qty: 4</p>
<p>F</p>  <p>Screw Ø3*14mm Qty: 4</p>	<p>G</p>  <p>Door stopper Qty: 2</p>	<p>H</p>  <p>Plastic wedge Qty: 8</p>	<p>I</p>  <p>Plat-head screw Ø3*16mm Qty: 8</p>	<p>J</p>  <p>Screw Ø3.5*12mm Qty: 24</p>
<p>K</p>  <p>Hinge Ø35mm Qty: 4</p>	<p>L</p>  <p>Screw Ø5*50mm Qty: 4</p>	<p>M</p>  <p>Shelf Support Qty: 8</p>	<p>N</p>  <p>Long Screw Ø4*38mm Qty: 2</p>	<p>O</p>  <p>Short Screw Ø4*12mm Qty: 2</p>
<p>P</p>  <p>Drywall Anchor Qty: 2</p>	<p>Q</p>  <p>Wall bracket 53 x 25 x 16 x T1.5 Qty: 2</p>	<p>R</p>  <p>Hex key Qty: 1</p>	<p>S</p>  <p>Adjustable End Cap Qty: 4</p>	

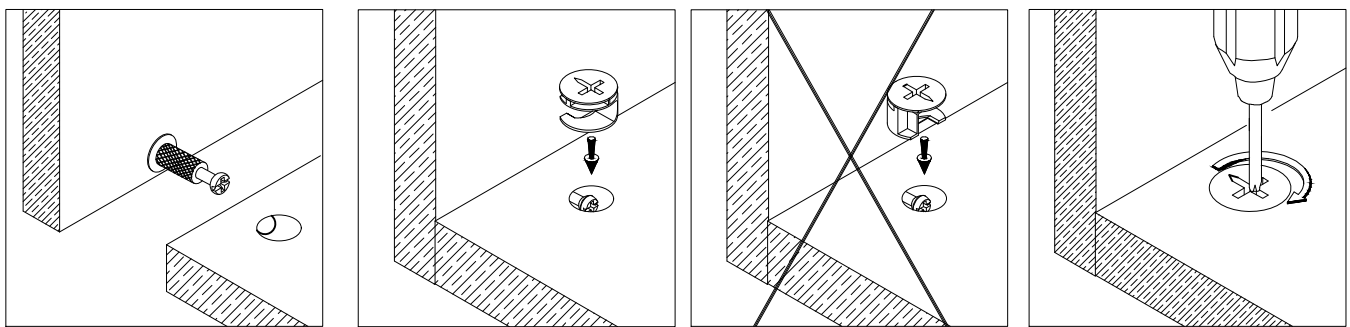
CAM LOCK SYSTEM OPERATION

NOTE: When inserting the Cam Lock, make sure that the Open End of the Cam Lock faces the Cam Screw Entry. The Dowel will be inserted in the hole NEXT to the Cam Lock/Cam Screw Hole.

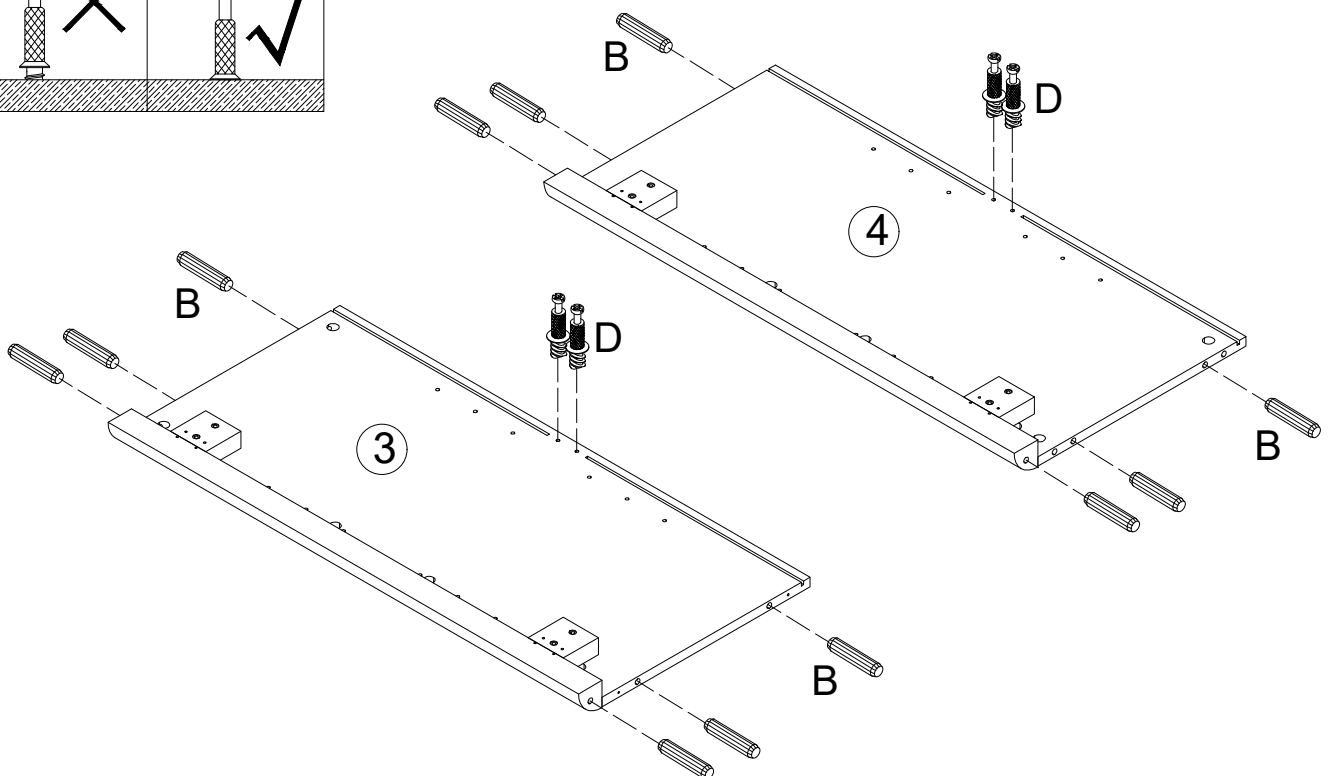
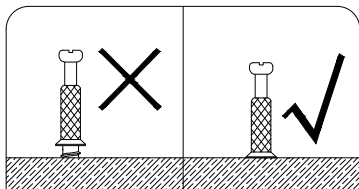
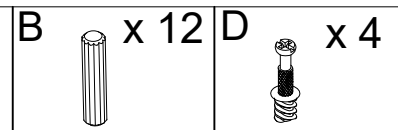
NOTE: The Cam Lock is backwards in this illustration. The Cam Screw can not connect to the Cam Lock because the Dowel is in the incorrect hole.

NOTE: To tighten, turn the Cam Lock CLOCKWISE until the arrow point AWAY from the connected Panel.

NOTE: DO NOT USE AN AUTOMATIC SCREWDRIVER TO TIGHTEN CAM LOCKS, DO NOT OVER-TIGHTEN.

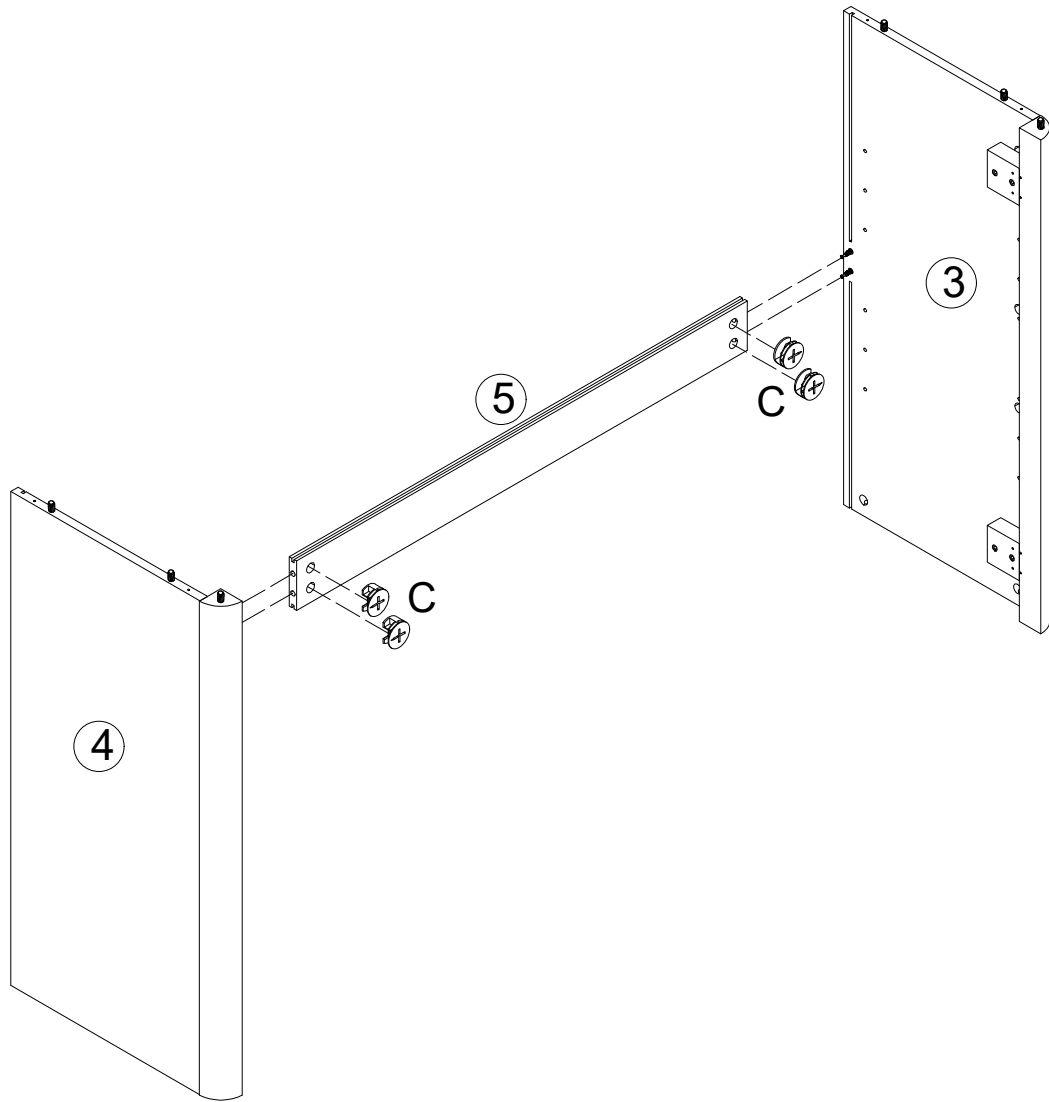
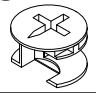


STEP 1

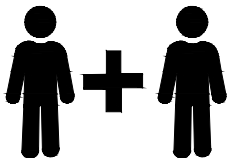


STEP 2

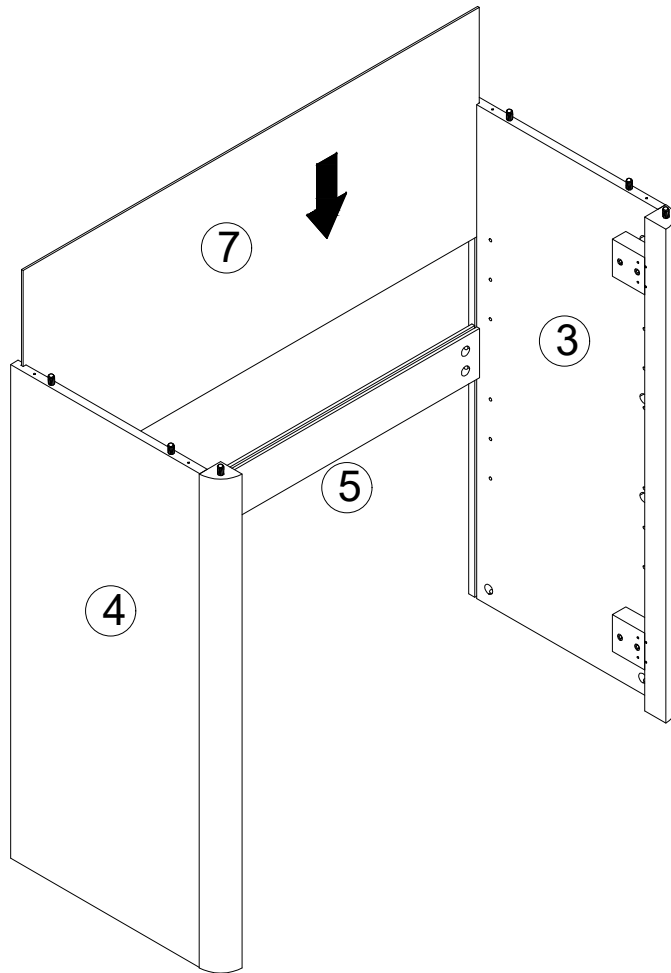
C x 4



2 Person Task



STEP 3



STEP 4

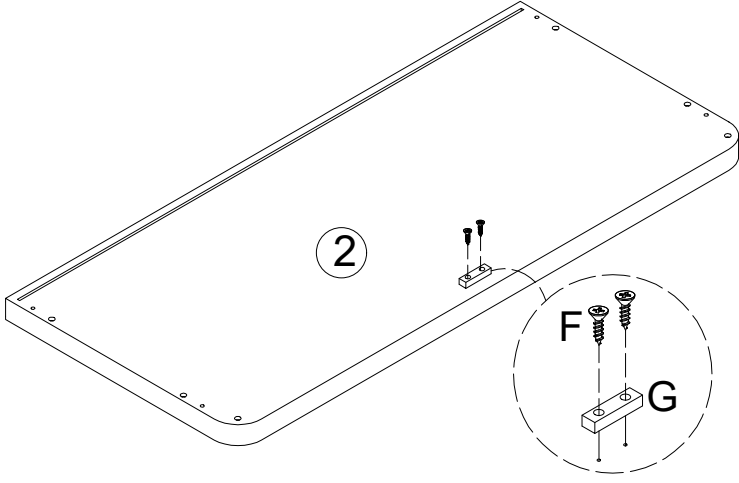
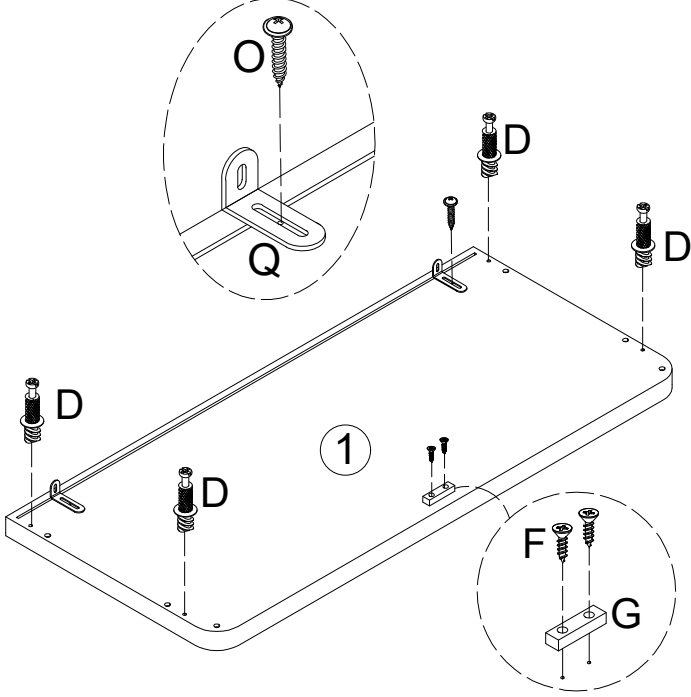
D x4

F x4

G x2

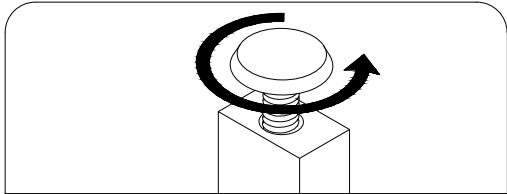
O x2

Q x2

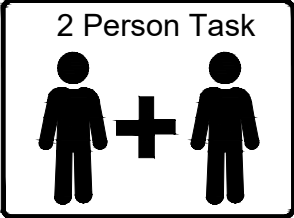
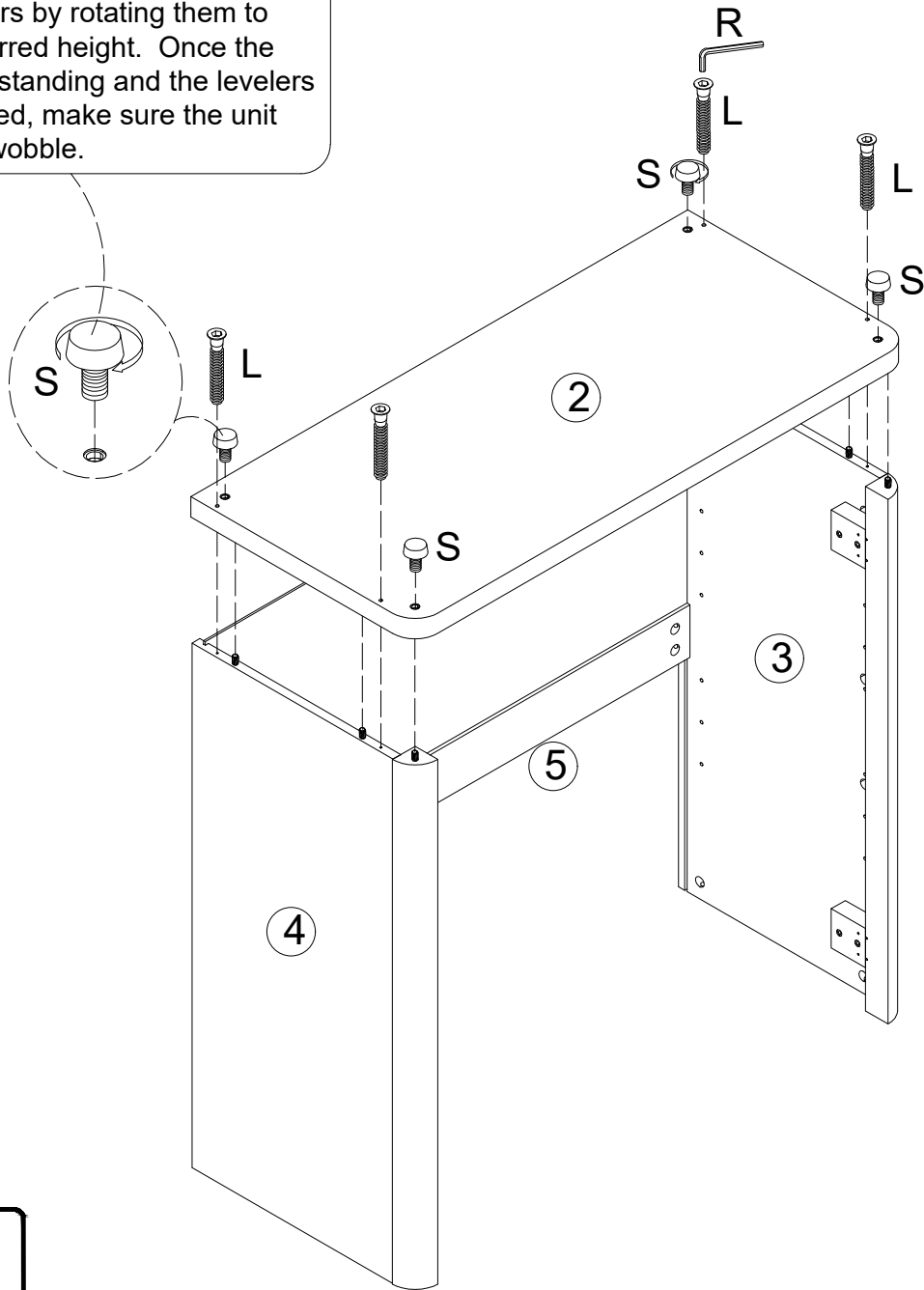


STEP 5

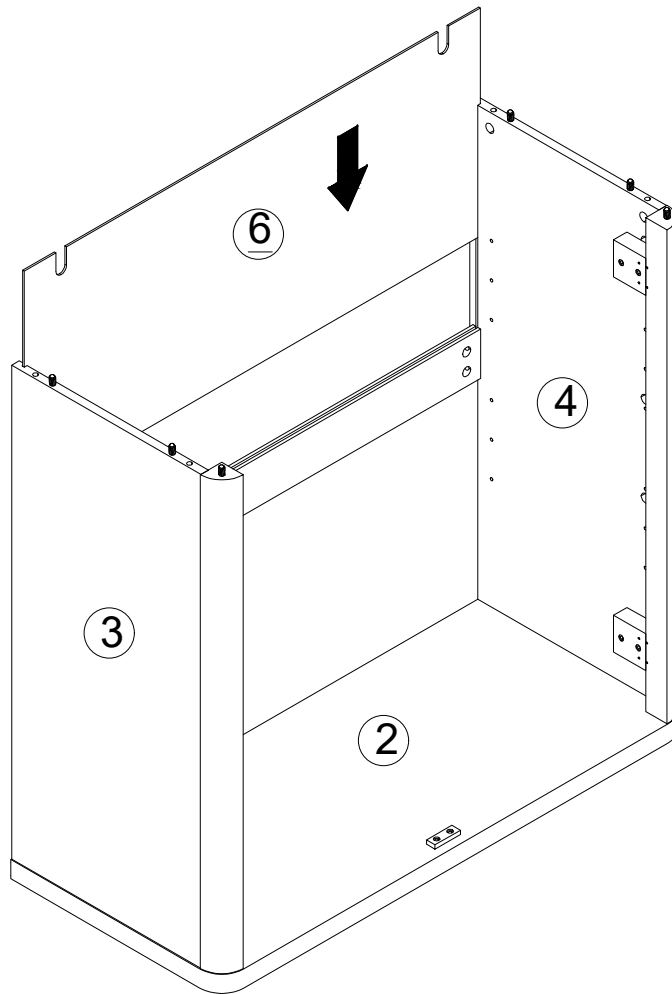
- | | | | | | |
|---|-----|---|-----|---|-----|
| R | x 1 | L | x 4 | S | x 4 |
|---|-----|---|-----|---|-----|



If the ground is uneven, adjust the foot levelers by rotating them to your preferred height. Once the cabinet is standing and the levelers are adjusted, make sure the unit does not wobble.

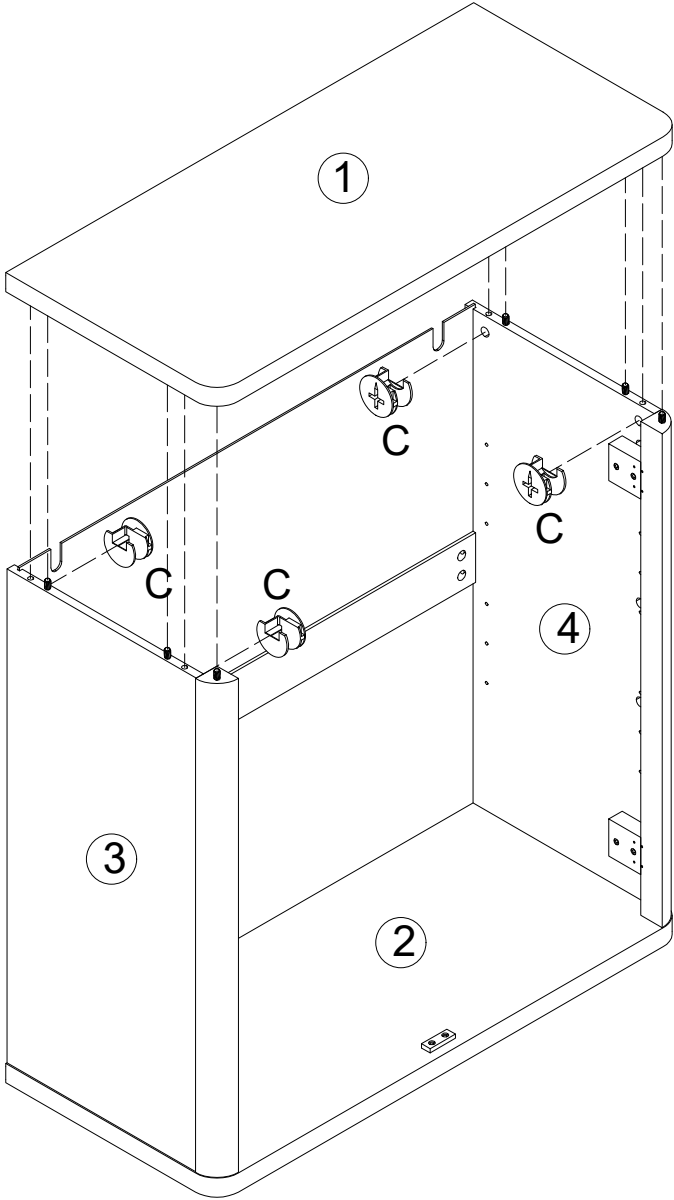



STEP 6



STEP 7

C x 4

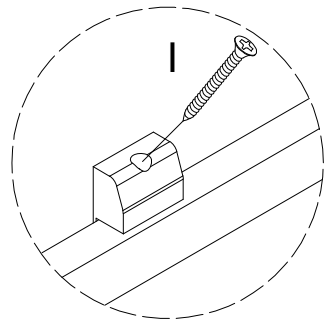
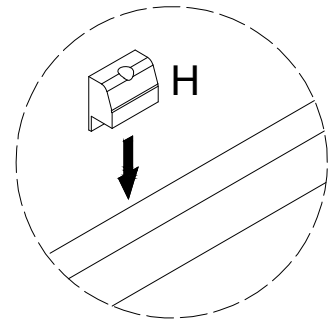
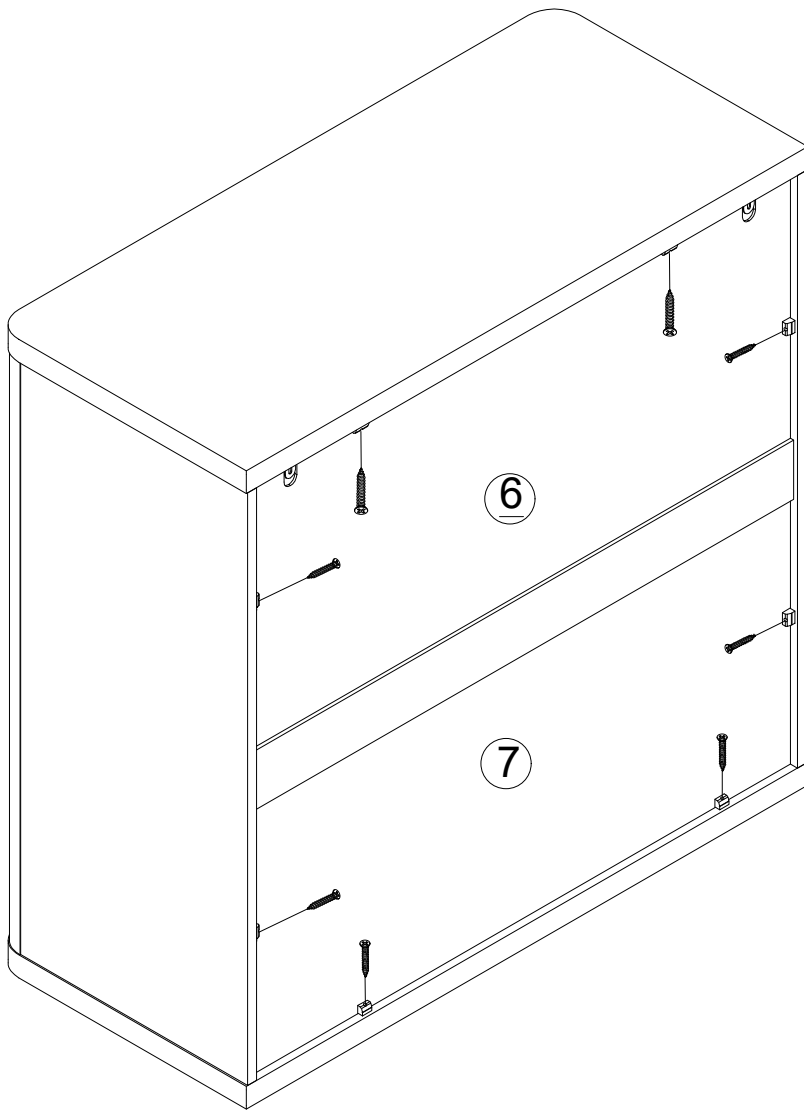


STEP 8

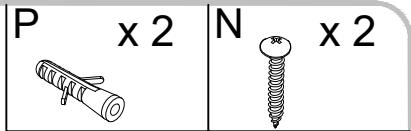
H x 8



I x 8

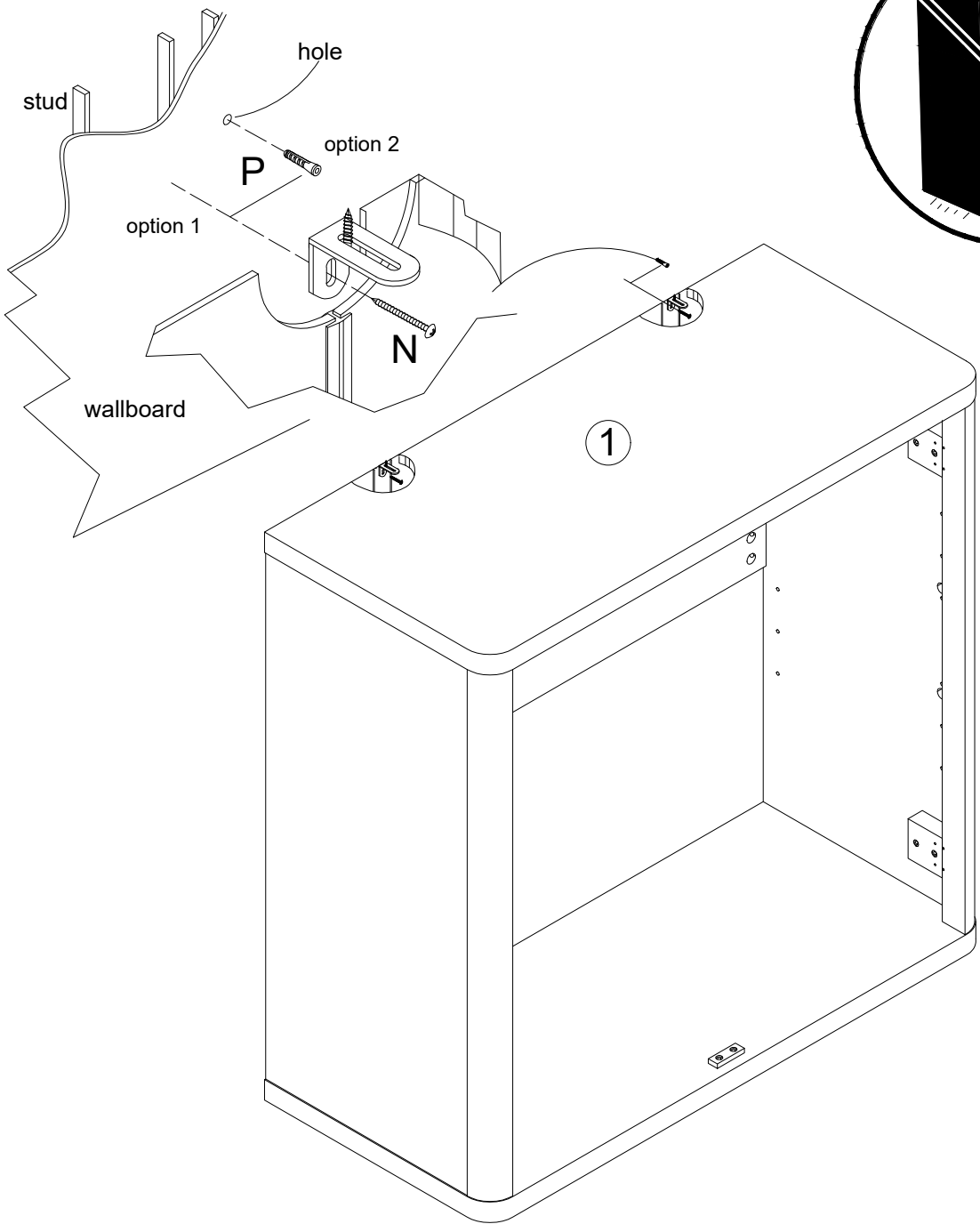


STEP 9

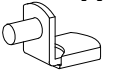


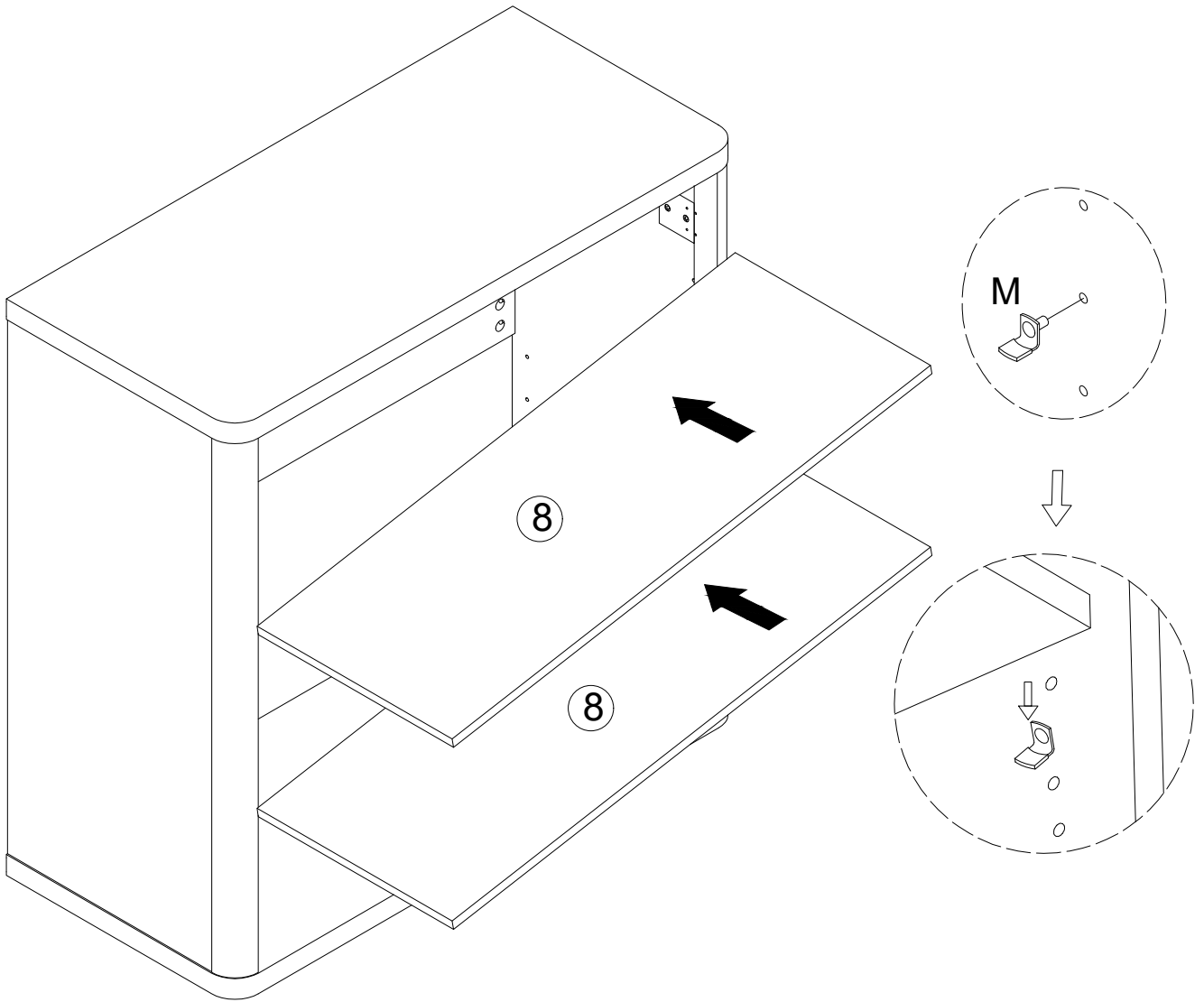
WARNING

Serious or fatal injuries can occur from furniture tipping over. To prevent the furniture from tipping over we recommend that it is permanently fixed to the wall. Wall anchor and hardware are included with this product. Please make sure hardware is suitable for your walls before installing, as different wall materials may require different types of anchors.



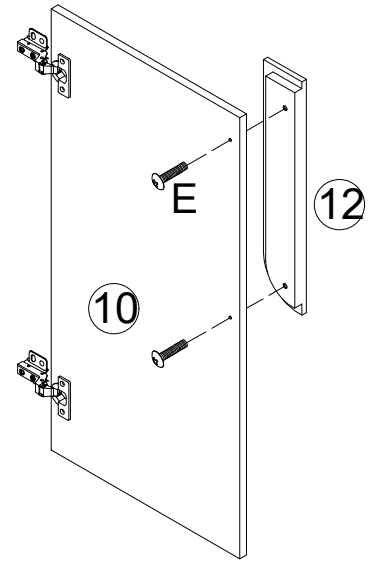
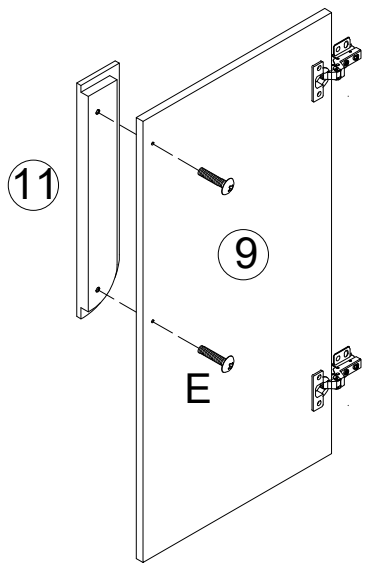
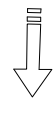
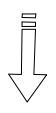
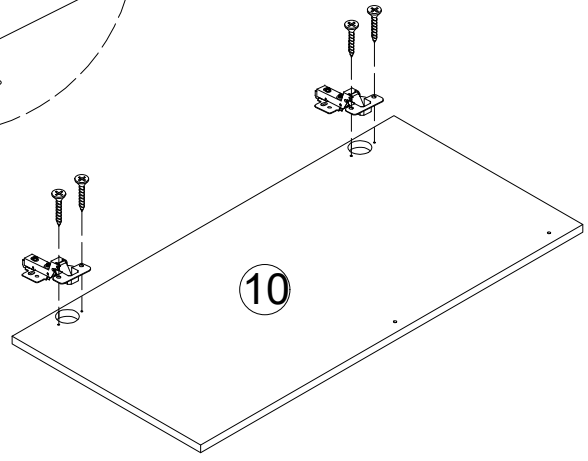
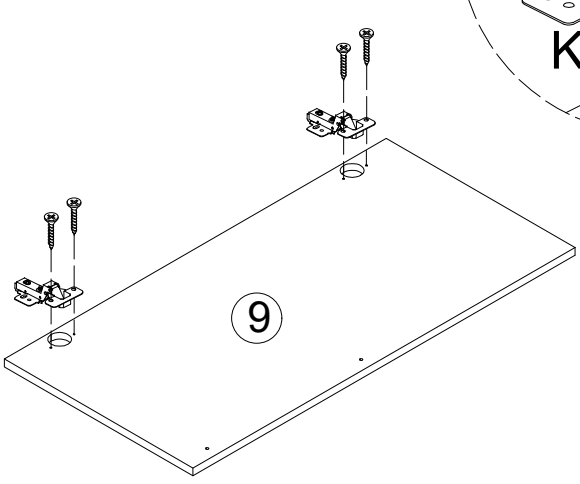
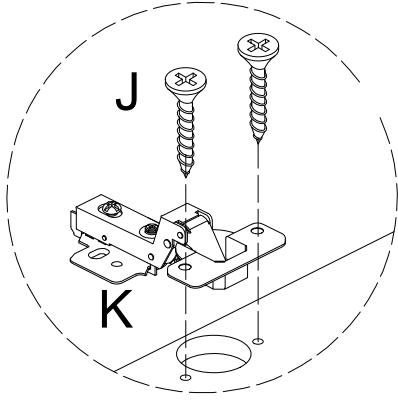
STEP 10

M x 8





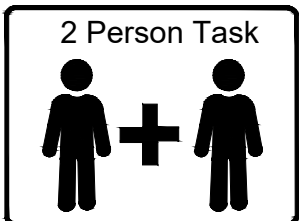
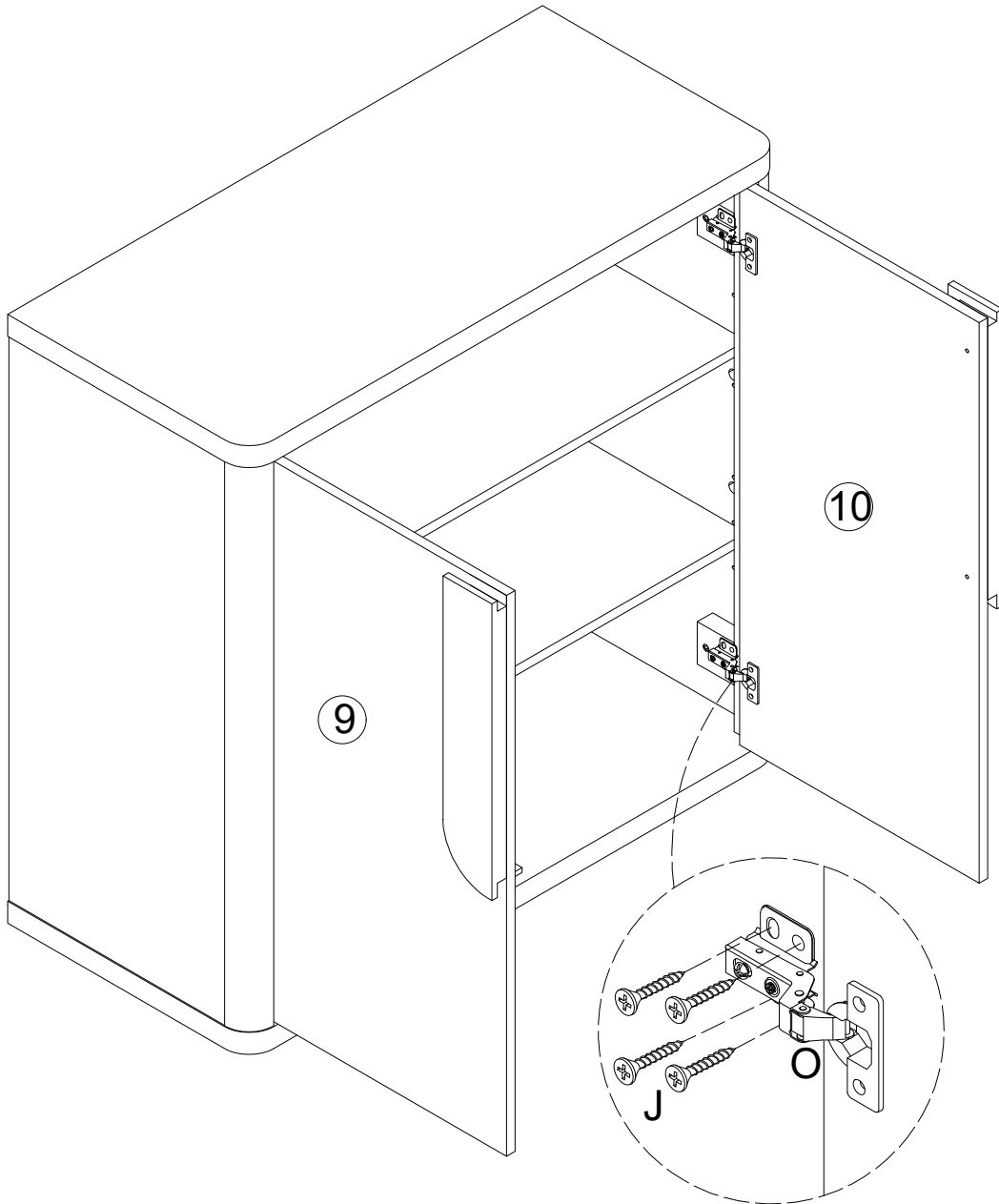
STEP 11

- | | | | | | |
|----------|-----|----------|-----|----------|-----|
| E | x 4 | K | x 4 | J | x 8 |
|----------|-----|----------|-----|----------|-----|

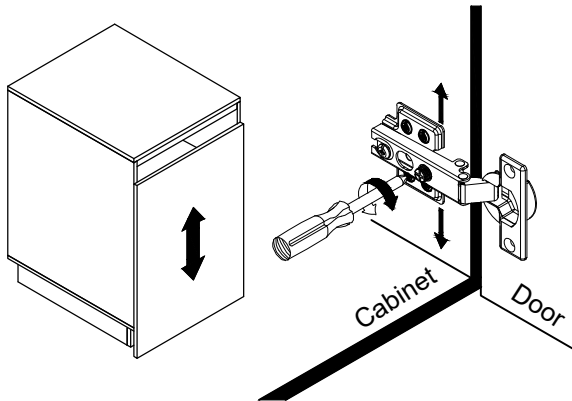
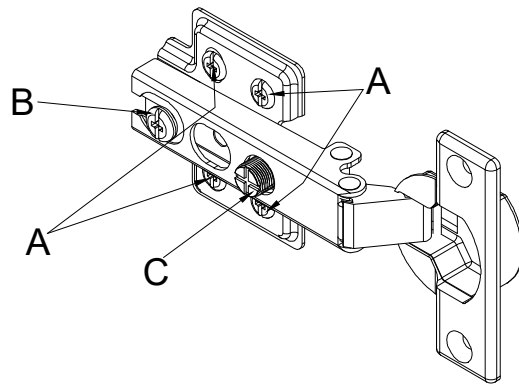


STEP 12

J  x 16

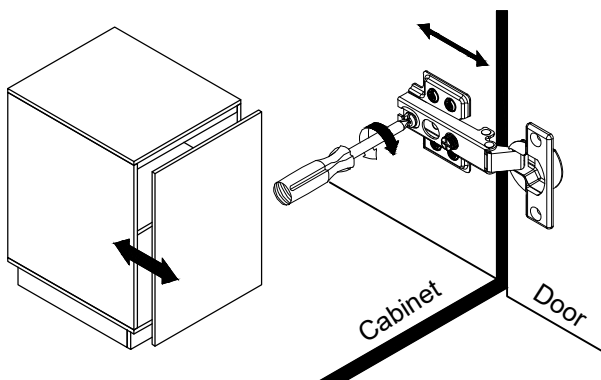


STEP 12



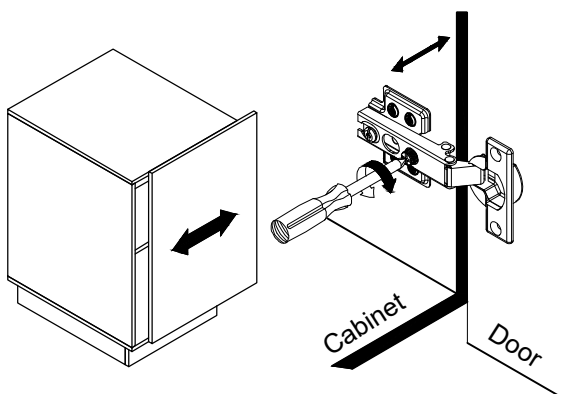
To adjust the vertical height.

Loosen the four screws "A" on both hinges. Two of them are usually in slotted holes which allows you to adjust up or down by a few mm. Then tighten back up.



To adjust depth.

Loosen screw "B" and adjust door, if the door can not be adjusted, please loosen screw "C", then try again. Tighten screw "B" and "C".



To adjust side ways.

Turning the screw "C" on BOTH hinges on each door.