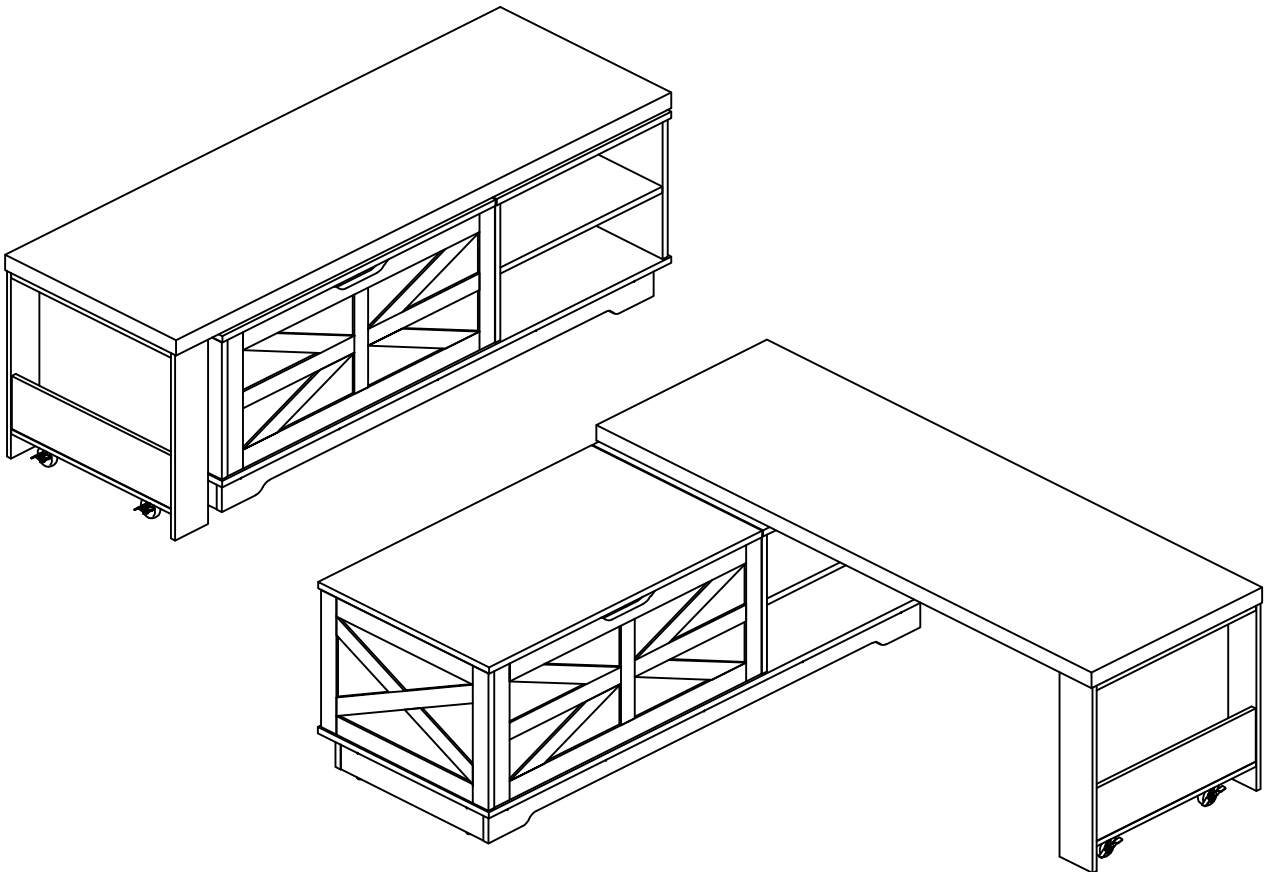


ASSEMBLY INSTRUCTIONS



⚠ SAFETY TIPS:

Static charge may cause dust on foam-clean with a dry or damp cloth.

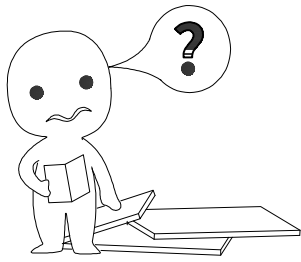
Small foam strands may be present- handle gently and dispose of properly.

Do not burn or incinerate.

Check local recycling guideline.

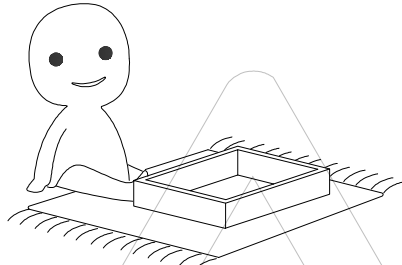
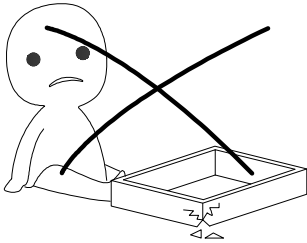
Have an assembly question or need a replacement part?

Please contact with our customer service.



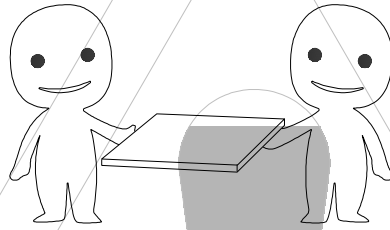
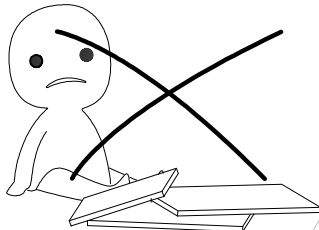
IMPORTANT INFORMATION!

Please read the entire manual before starting to assemble and/or using this product. Follow the manual thoroughly and keep it for further reference.



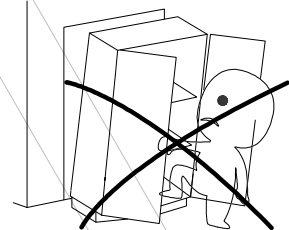
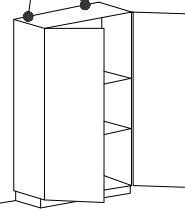
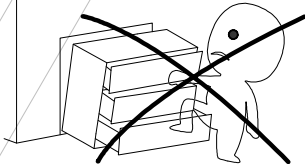
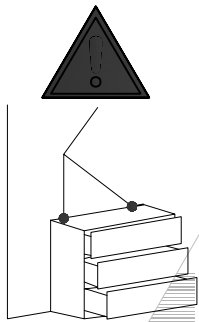
AVOID SCRATCHES!

In order to avoid scratching this furniture should be assembled on a soft layer—could be a rug.



IMPROVE EFFICIENCY !

Try to find a partner to install with you, which can speed up the installation efficiency and shorten the time.



ANTI-TOPPLE WARNING !

Overtipped furniture can cause serious or fatal crush injuries. To prevent tipping over, be sure to use the wall attachment, if not included with this product. Please purchase the wall attachment that fits your wall. If unsure, seek professional advice. Please read and follow each step of the instructions carefully.

IMPORTANT !

It is important that any product which is assembled using any kind of screw is re-tightened 2 weeks after assembly, and once every 3 months - in order to assure stability throughout the lifespan of the product.

For regular maintenance and cleaning of the product, for the frame, please use a rag dipped in neutral detergent to fully wipe it, and then dry it with a clean rag. For glass materials, wipe with a rag dampened with water glass cleaner, and then dry with a dry rag.

Do not use an electric screwdriver, and do not use too much force when installing, because the board is easy to break.

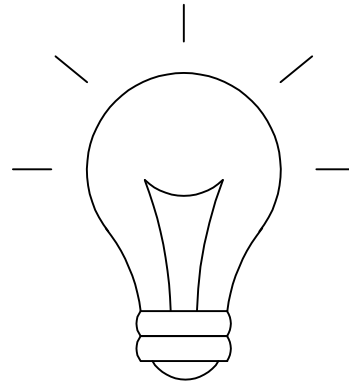
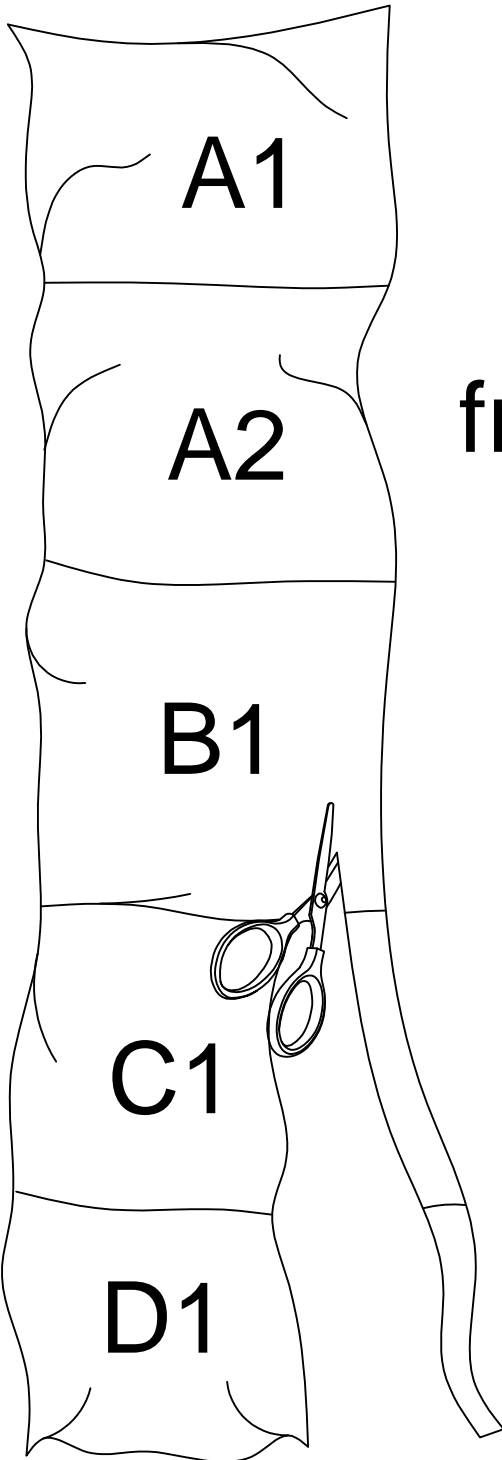
'SAFETY TIPS:

Static charge may cause dust on foam - clean with a dry or damp cloth.

Styrofoam strands may represent - handle gently and dispose of properly.

Do not burn or incinerate.

Check local recycling guidelines.



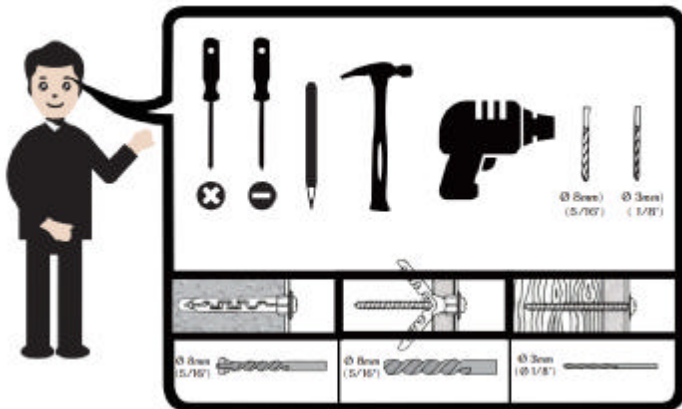
friendly reminder

To avoid errors and confusion during the installation of accessories, use the type and quantity of hardware accessories according to the installation procedure described in the instructions. First, unroll the accessories bag and lay out the hardware accessories, cut holes in the side, and take out the hardware accessories

Warnings

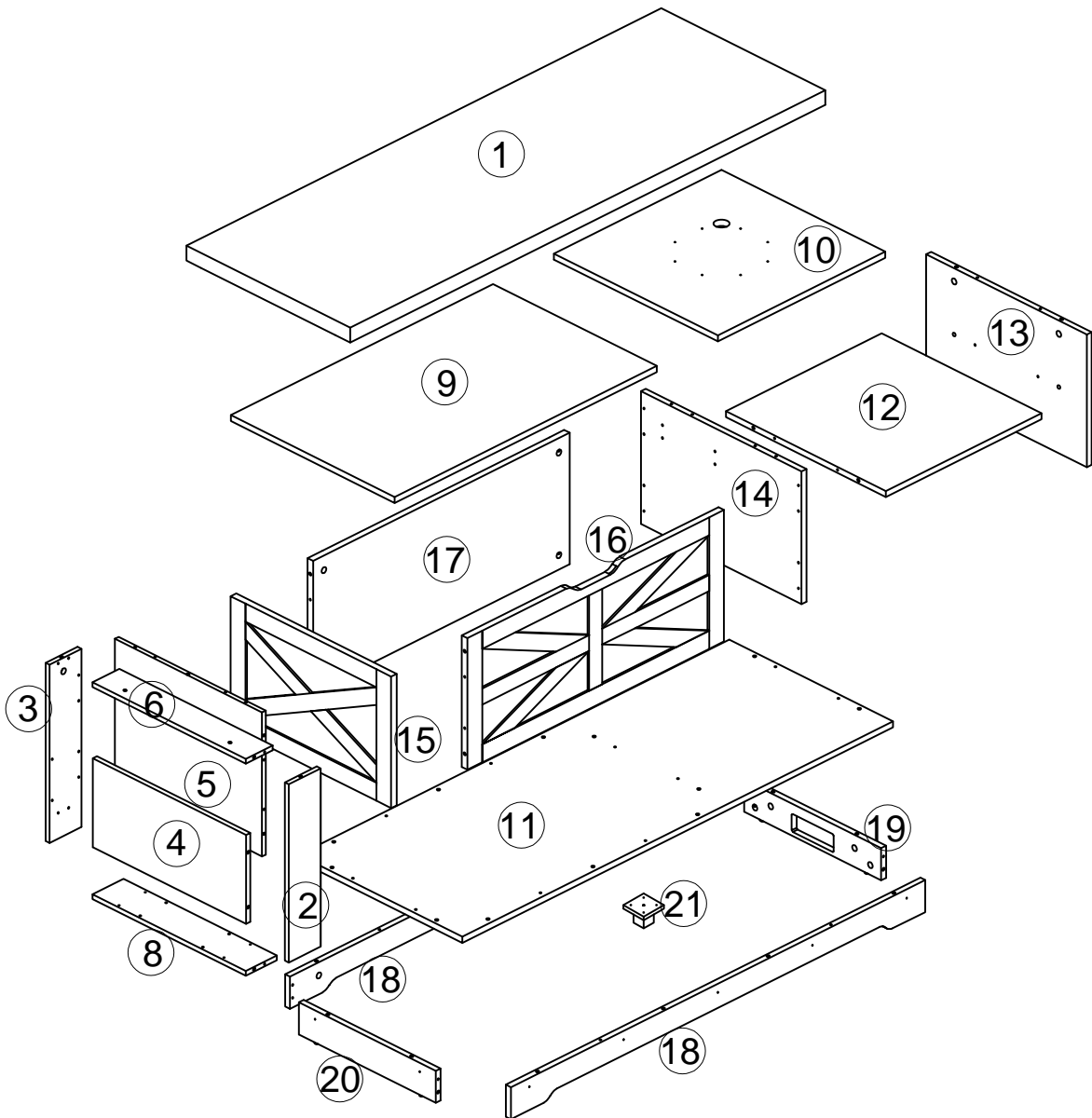
Important reminder:

- ⚠ Please sort and check all accessories before assembly.
- ⚠ Place the product on an empty cardboard box or on carpet to prevent scratches.
- ⚠ Please use proper tools for assembly. Using an electric screwdriver can accelerate the assembly speed, but please do not overtighten the screws.
- ⚠ Please follow the assembly steps and do not skip any of them.
- ⚠ If possible, please find a partner to help you with assembly, which can accelerate assembly.
- ⚠ Keep all small parts of this product away from children. They may cause serious injury.
- ⚠ We hope you can retighten the screws 2 weeks after assembly, and check the tightening procedure of the screws every 3 months.
If you meet any difficulty, our friendly customer team are always ready to help you.

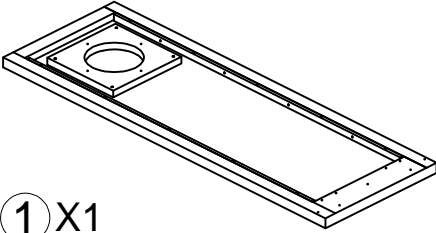
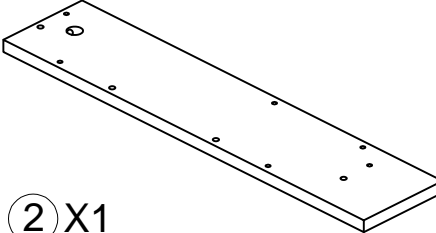
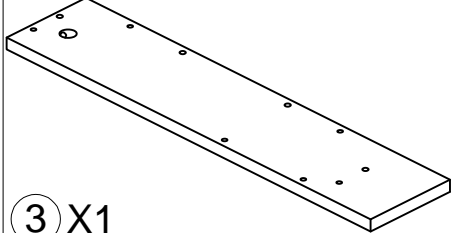
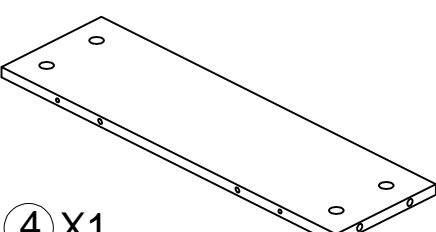
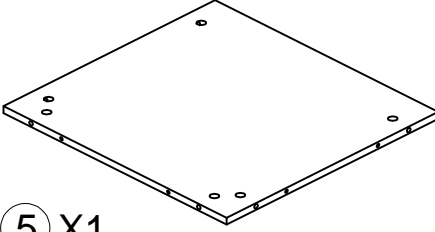
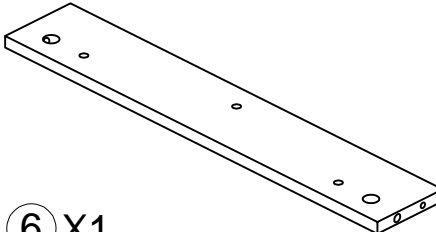
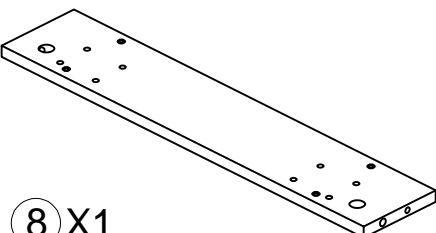
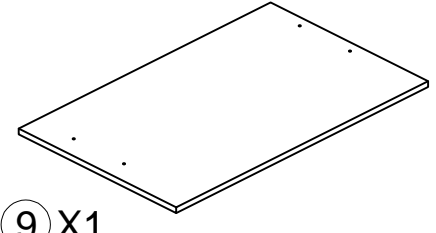
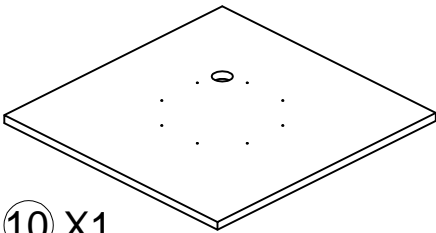
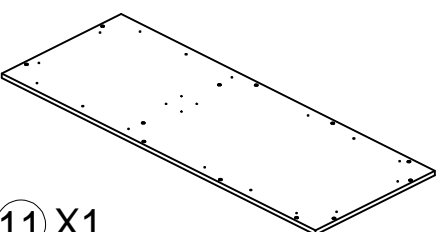
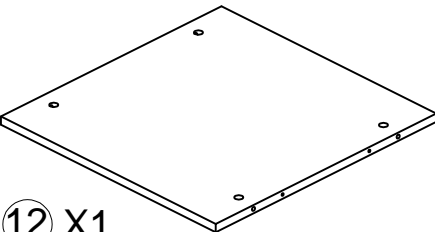
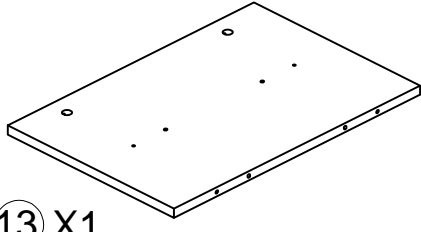
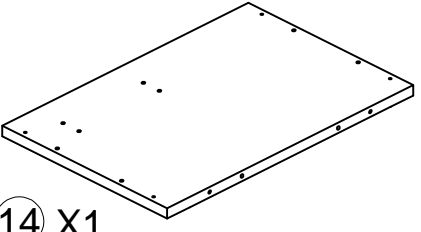
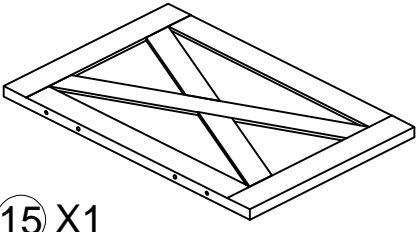
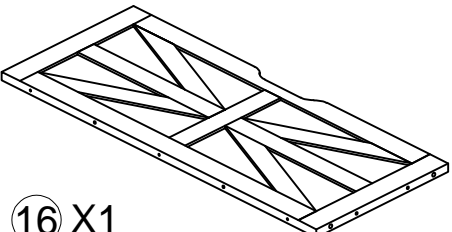
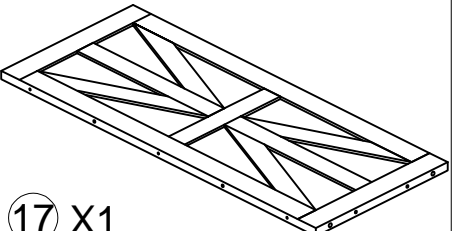
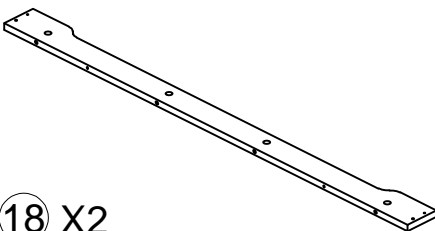
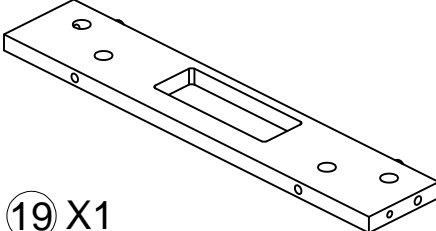
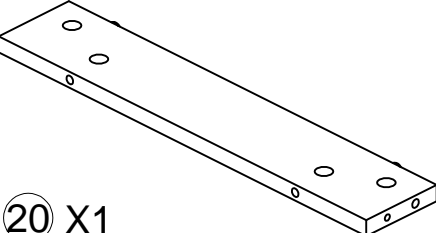
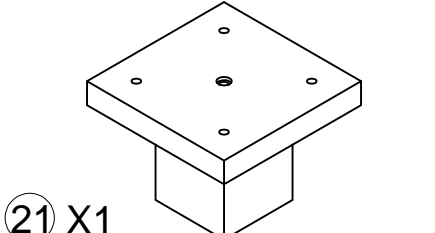


Warning: Overturning the product can cause serious crushing injuries. We have a wall connection device attached, please use it to hold the furniture following assembly instructions. Do not change the structure of this product in any way. Our products have been tested and meet all sales-specific security measures. We won't be responsible for any modifications, which may cause significant security risks.

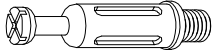


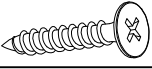

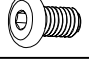
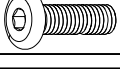




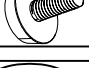

Explosion Diagram



Parts List



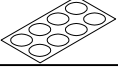

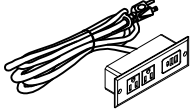
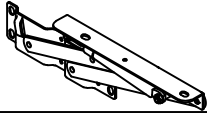
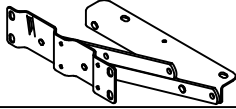
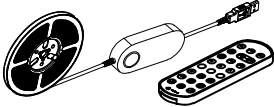

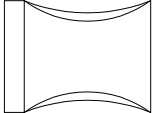
 <p>① X1</p>	 <p>② X1</p>	 <p>③ X1</p>
 <p>④ X1</p>	 <p>⑤ X1</p>	 <p>⑥ X1</p>
 <p>⑧ X1</p>	 <p>⑨ X1</p>	 <p>⑩ X1</p>
 <p>⑪ X1</p>	 <p>⑫ X1</p>	 <p>⑬ X1</p>
 <p>⑭ X1</p>	 <p>⑮ X1</p>	 <p>⑯ X1</p>
 <p>⑰ X1</p>	 <p>⑱ X2</p>	 <p>⑲ X1</p>
 <p>⑳ X1</p>	 <p>㉑ X1</p>	

Hardware List

No.	Code	Diagram	Description	Quantity	Spare
1	A1		M6.0 x 40 mm	48	
2	A2		Ø15 x 10 mm	48	
3	B1		Ø3.5 x 12 mm	10	
4	B2		Ø4 x 25 mm	4	
5	B3		Ø3 x 12 mm	15	
6	B4		M6 x 10 mm	24	
7	B5		M6 x 20 mm	5	
8	B6		Ø5 x 38 mm	16	
9	C1		Ø6 x 30 mm	48	
10	C2		M4	1	
11	C3			2	
12	C4			1	
13	C5		Ø15*3mm	6	

THE SPARE BAG INCLUDED EXTRA HARDWARE FOR DAMAGED OR MISSING SMALL HARDWARE WHILE YOU ARE ASSEMBLING

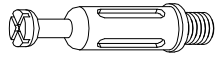

Hardware List

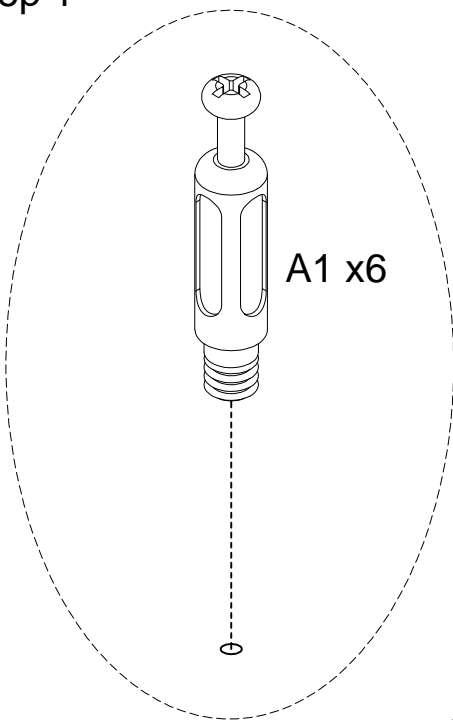
No.	Code	Diagram	Description	Quantity	Spare
14	C6			15	
15	C7		Ø305 mm	1	
16	C8		Ø20 mm	46	
17	C9		Ø16*750 mm	1	
18	PC			1	
19	ZGG-1		Right	1	
20	ZGG-2		Left	1	
21	LED			1	
22				1	
23	SPARE PARTS		THE SPARE BAG INCLUDED EXTRA HARDWARE FOR DAMAGED OR MISSING SMALL HARDWARE WHILE YOU ARE ASSEMBLING	1	





THE SPARE BAG INCLUDED EXTRA HARDWARE FOR DAMAGED OR MISSING SMALL HARDWARE WHILE YOU ARE ASSEMBLING

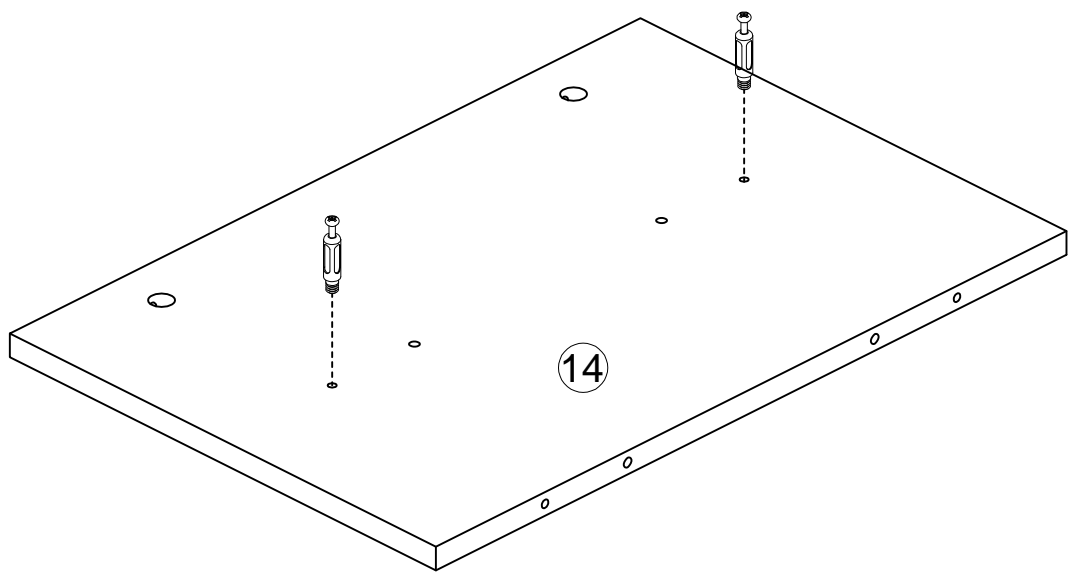
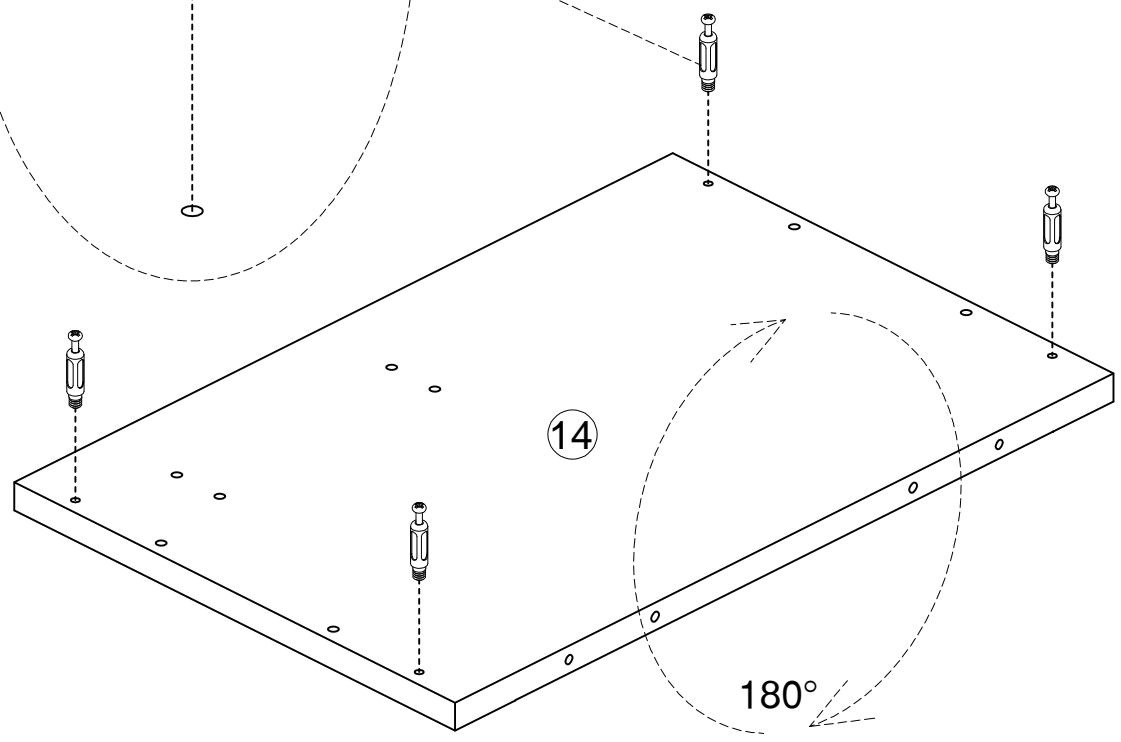
Assemble

Step 1

	
M6x40	
A1	6PCS







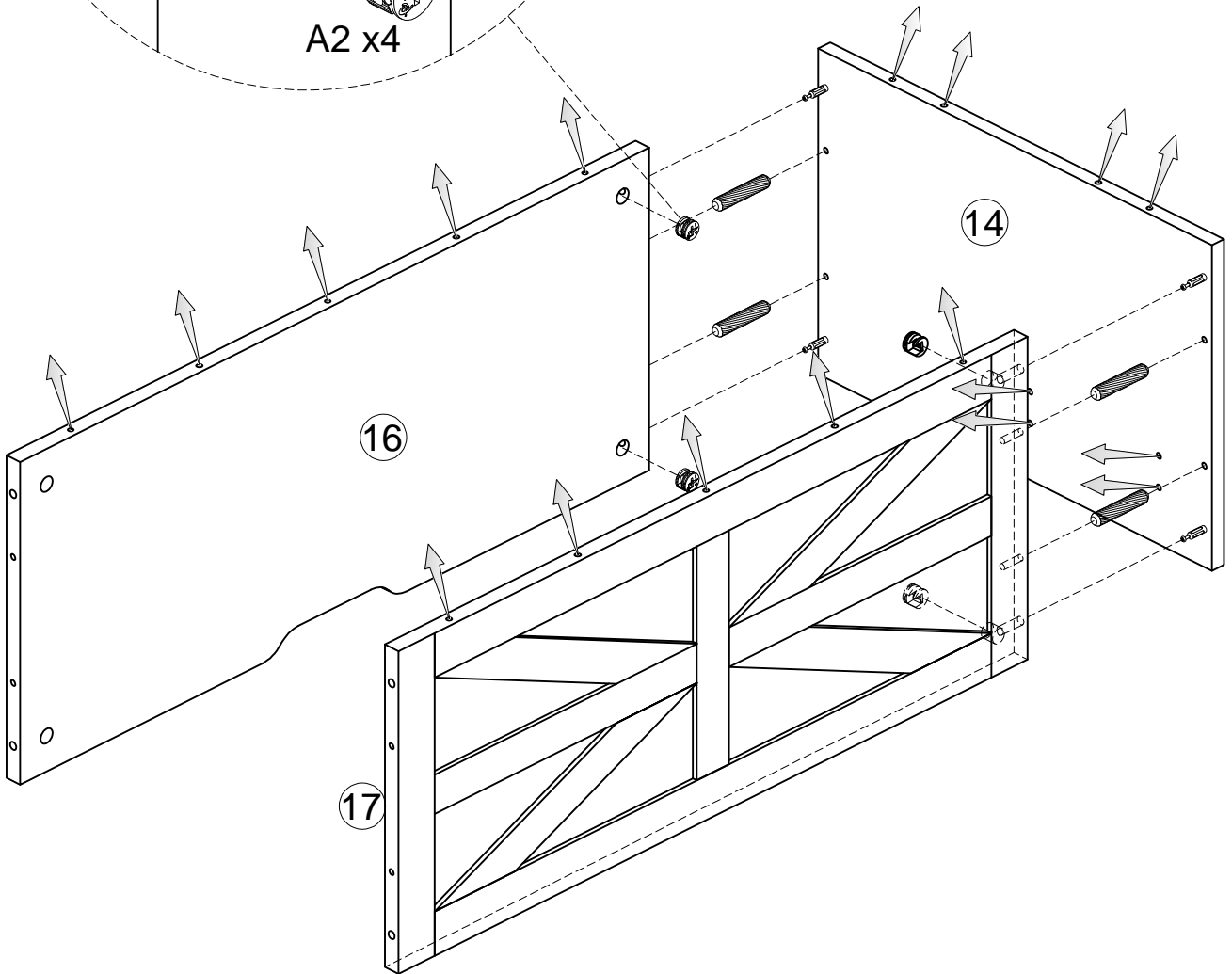
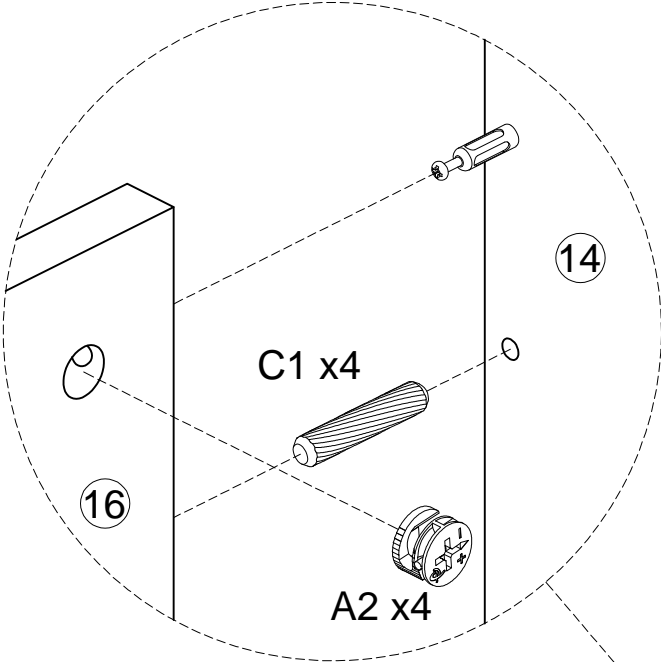
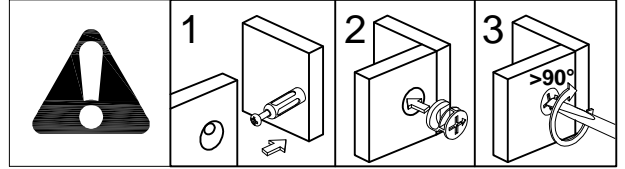
	1 	2 	3 
------------------------------------------------------------------------------------	---------------------------------------------------------------------------------------	---------------------------------------------------------------------------------------	---------------------------------------------------------------------------------------



Assemble

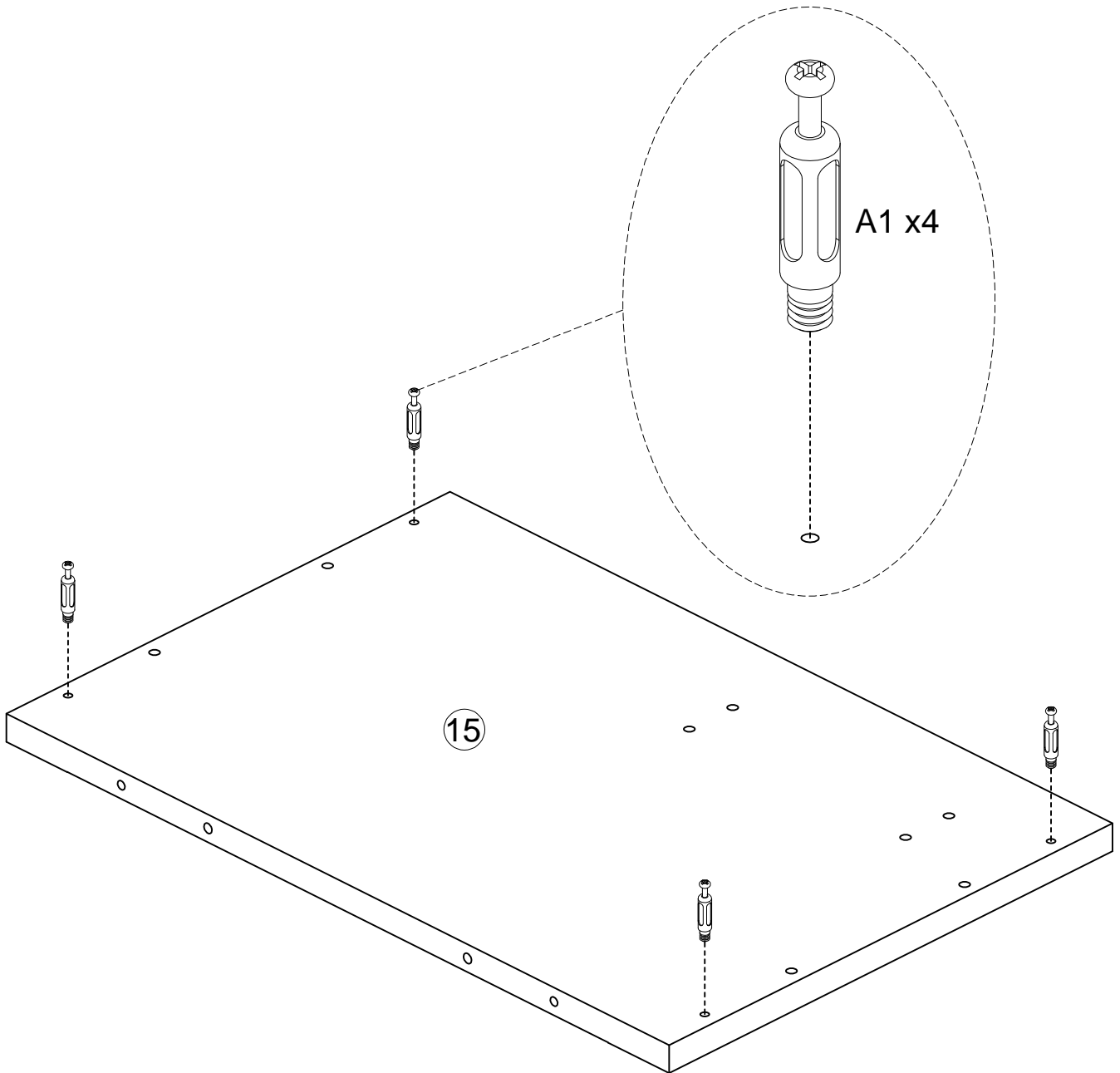
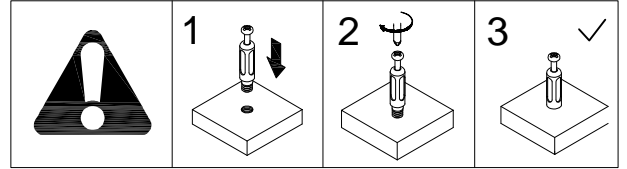
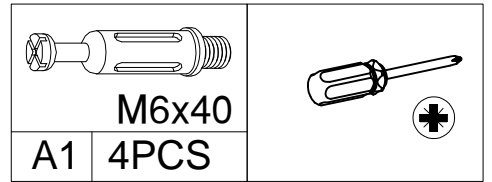
Step 2

		
Ø6 x 30	Ø15 x 10	
C1	4PCS	A2
		4PCS







Assemble

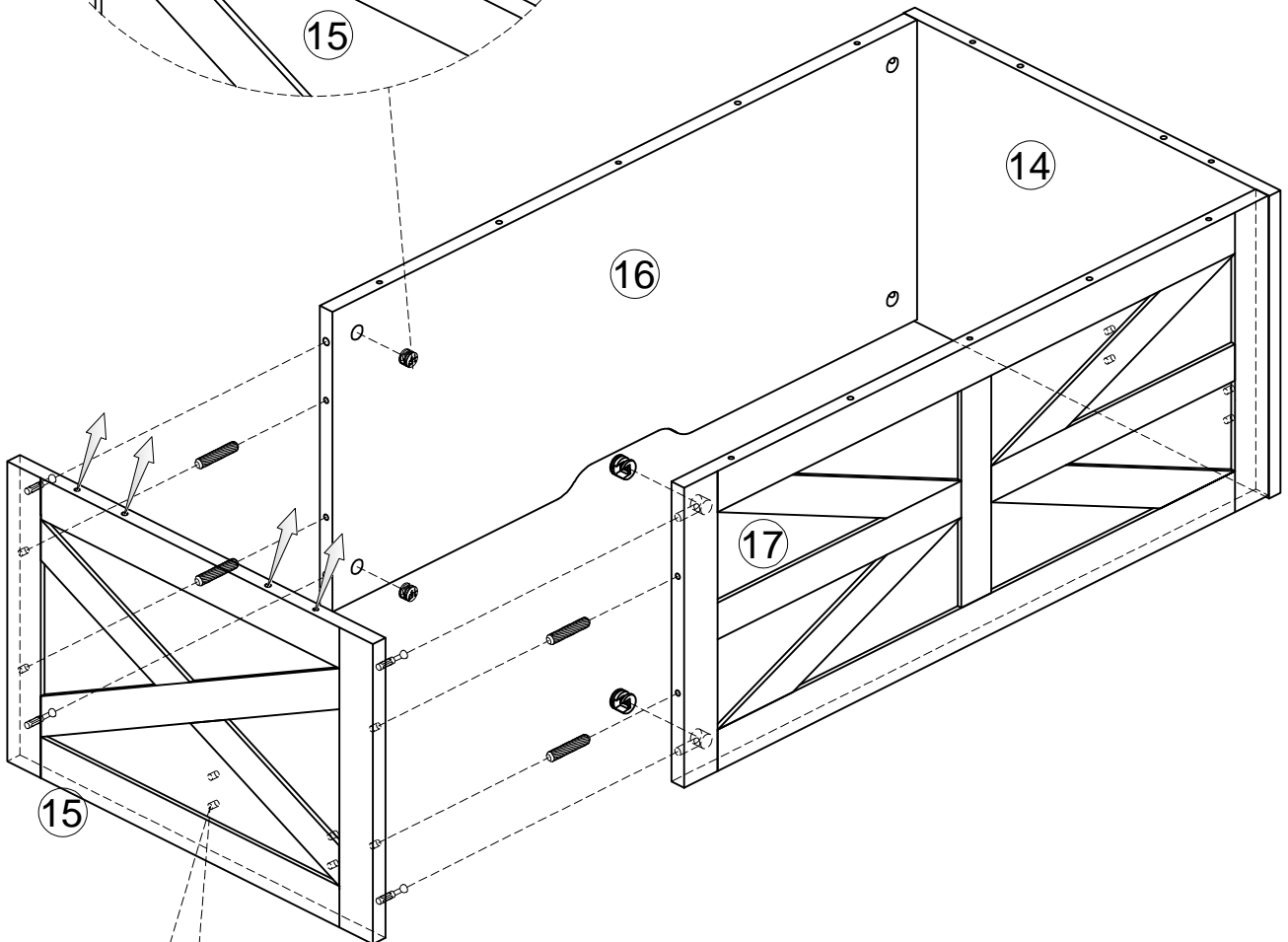
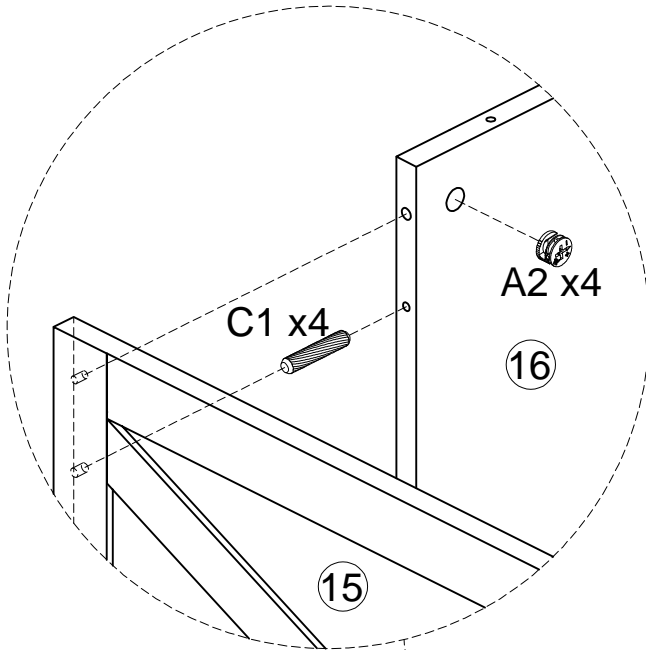
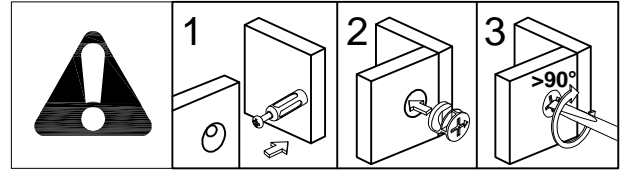
Step 3



Assemble

Step 4


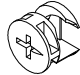
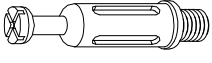


	$\text{Ø}6 \times 30$		$\text{Ø}15 \times 10$	
C1	4PCS	A2	4PCS	

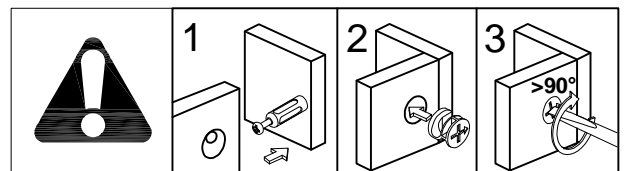
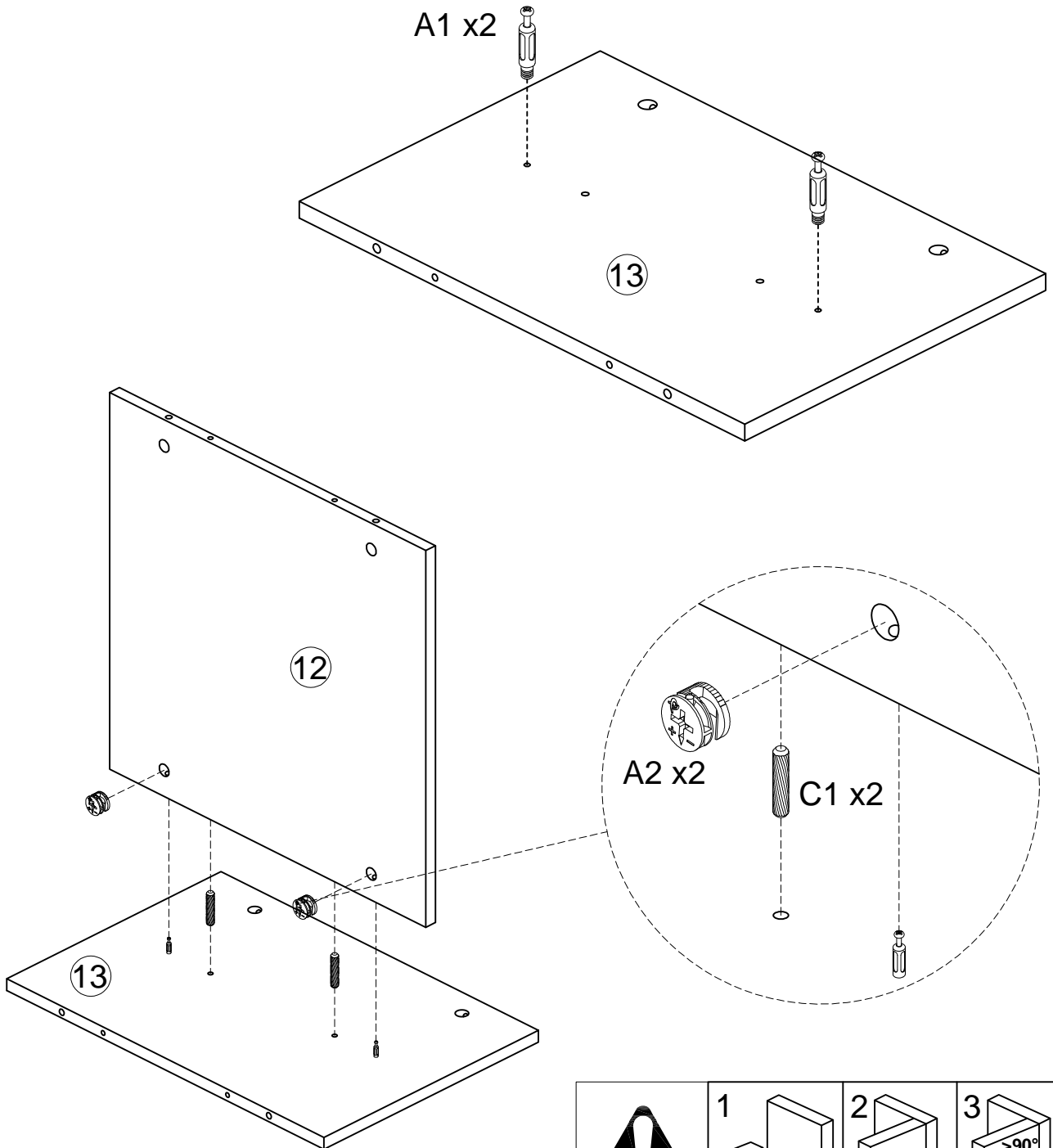
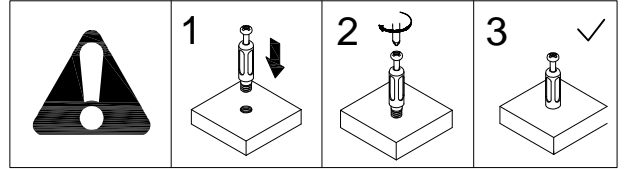


Pay attention to the positions of these four holes. They should be on the back side of the component.

Assemble


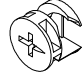


Step 5

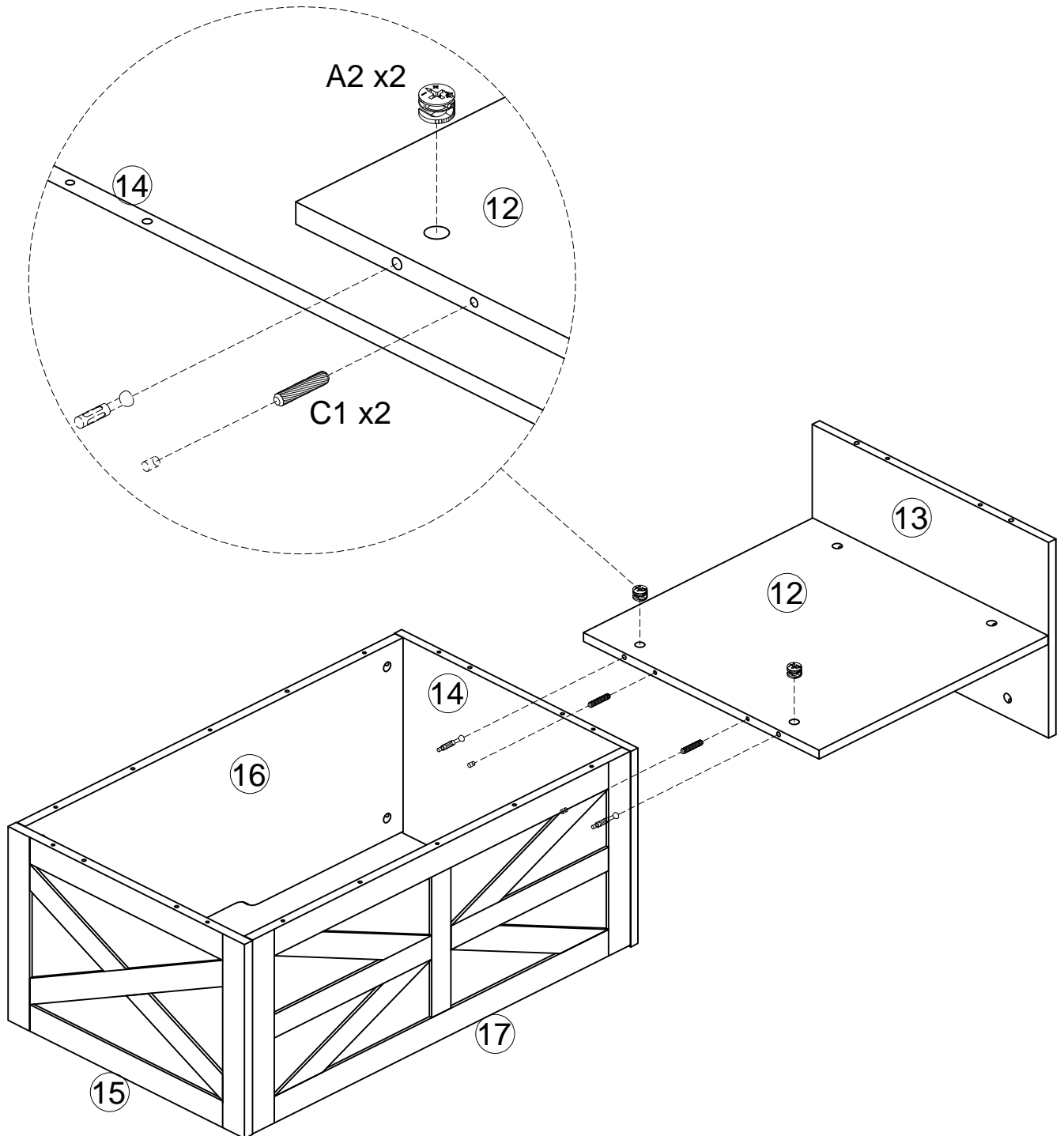
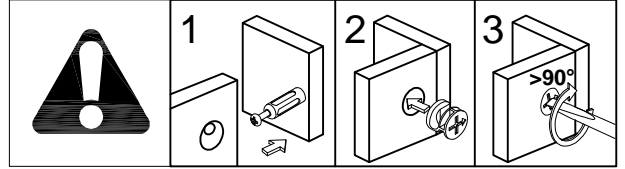
			
Ø6 x 30	Ø15 x 10	M6x40	
C1 2PCS	A2 2PCS	A1 2PCS	



Assemble

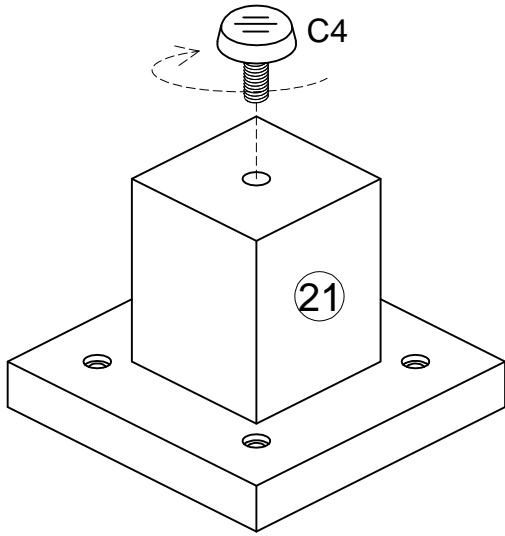
Step 6

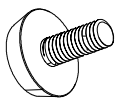



			
Ø6 x 30	Ø15 x 10		
C1	2PCS	A2	2PCS

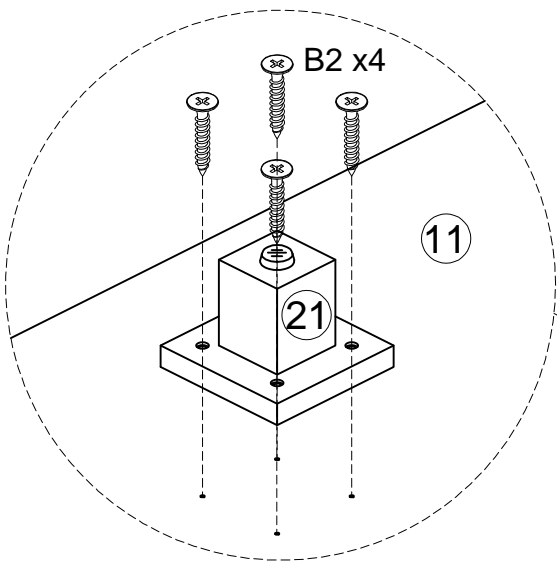


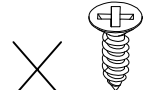
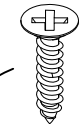

Assemble

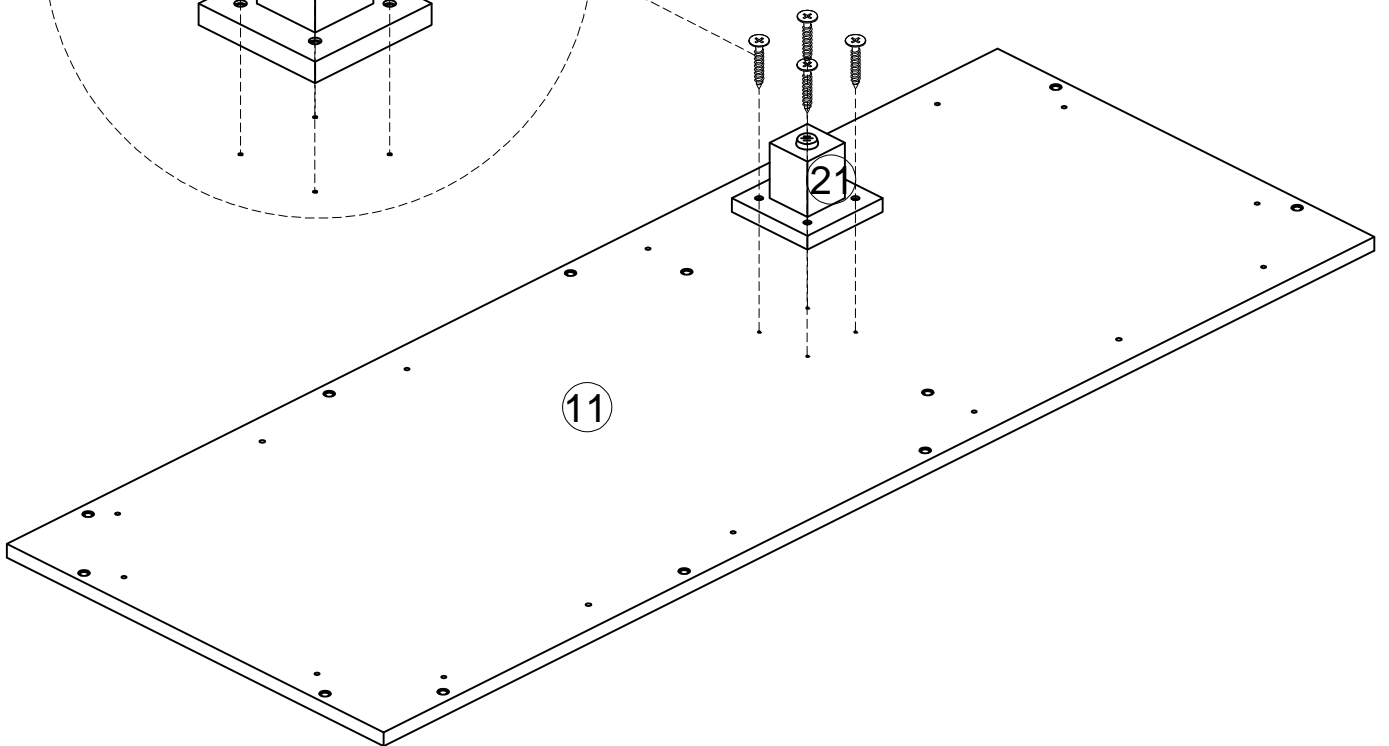
Step 7



		
C4	1PC	Ø4 x 25
	B2	4PCS
		







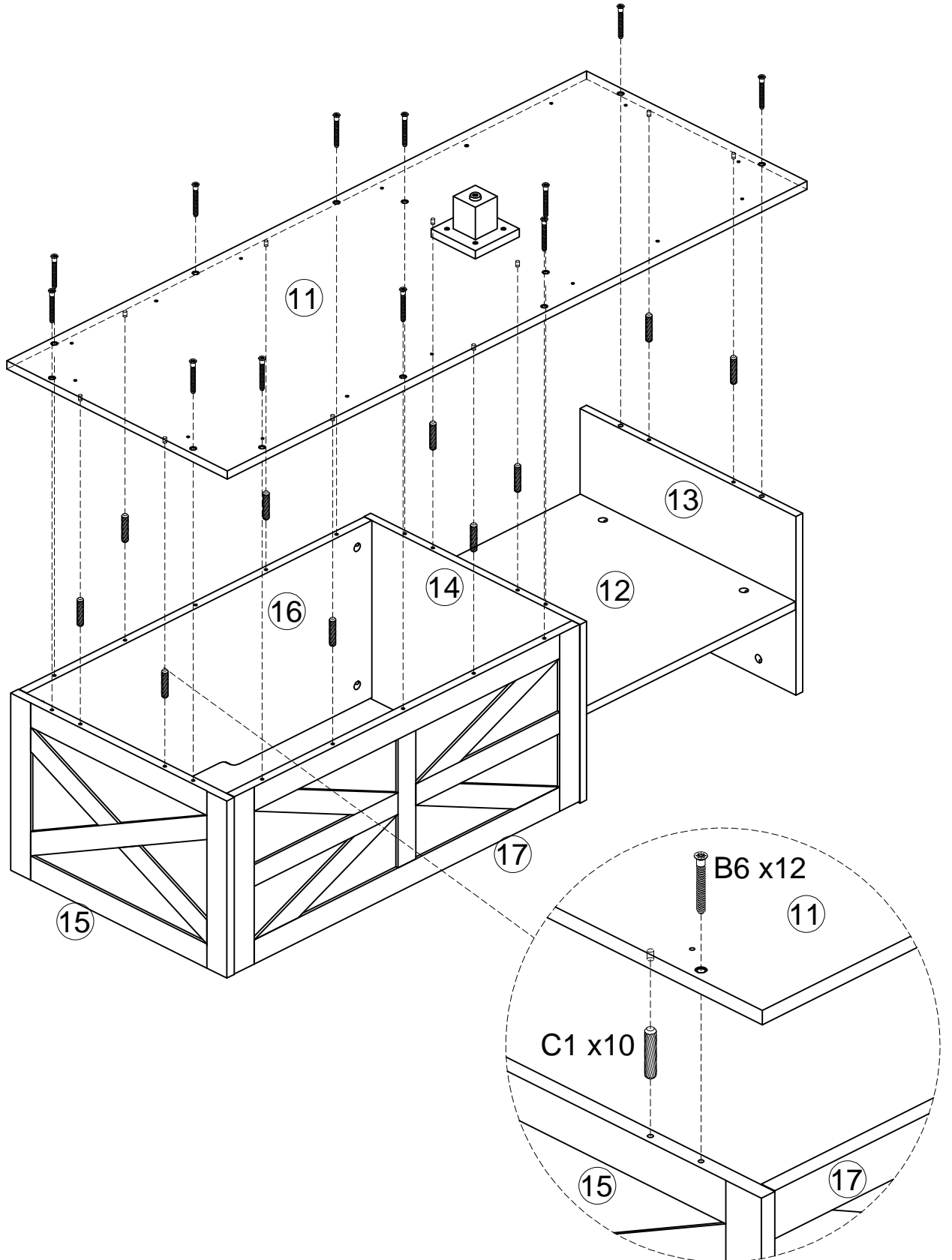
B1	B2	B3
		
Ø3.5x12	Ø4x25	Ø3x12



Assemble



Step 8


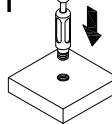
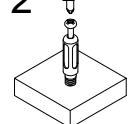
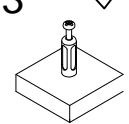
		
Ø6 x 30	Ø5x38mm	
C1 10PCS	B6 12PCS	

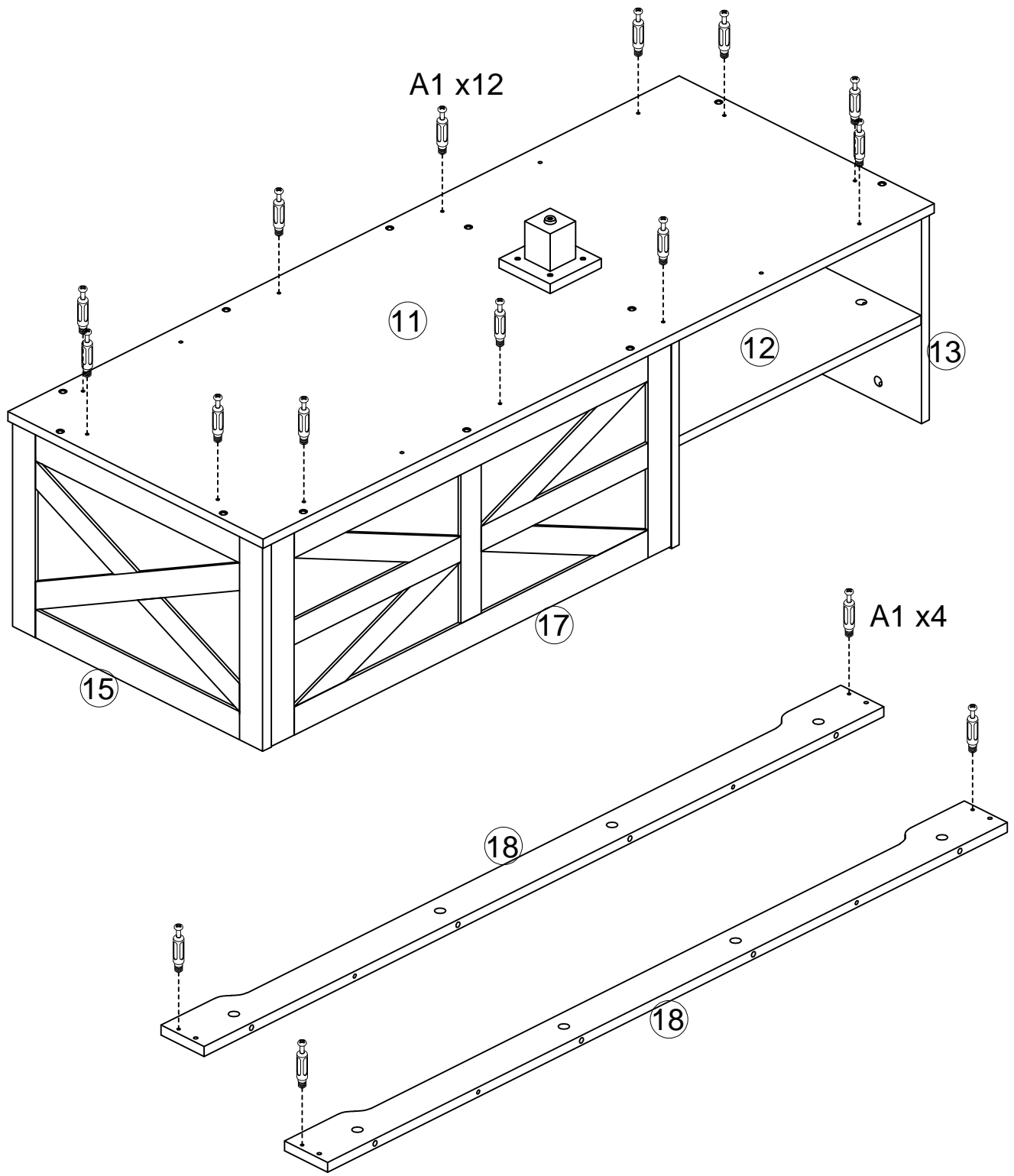


Assemble

Step 9


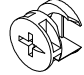


	
M6x40	
A1	16PCS

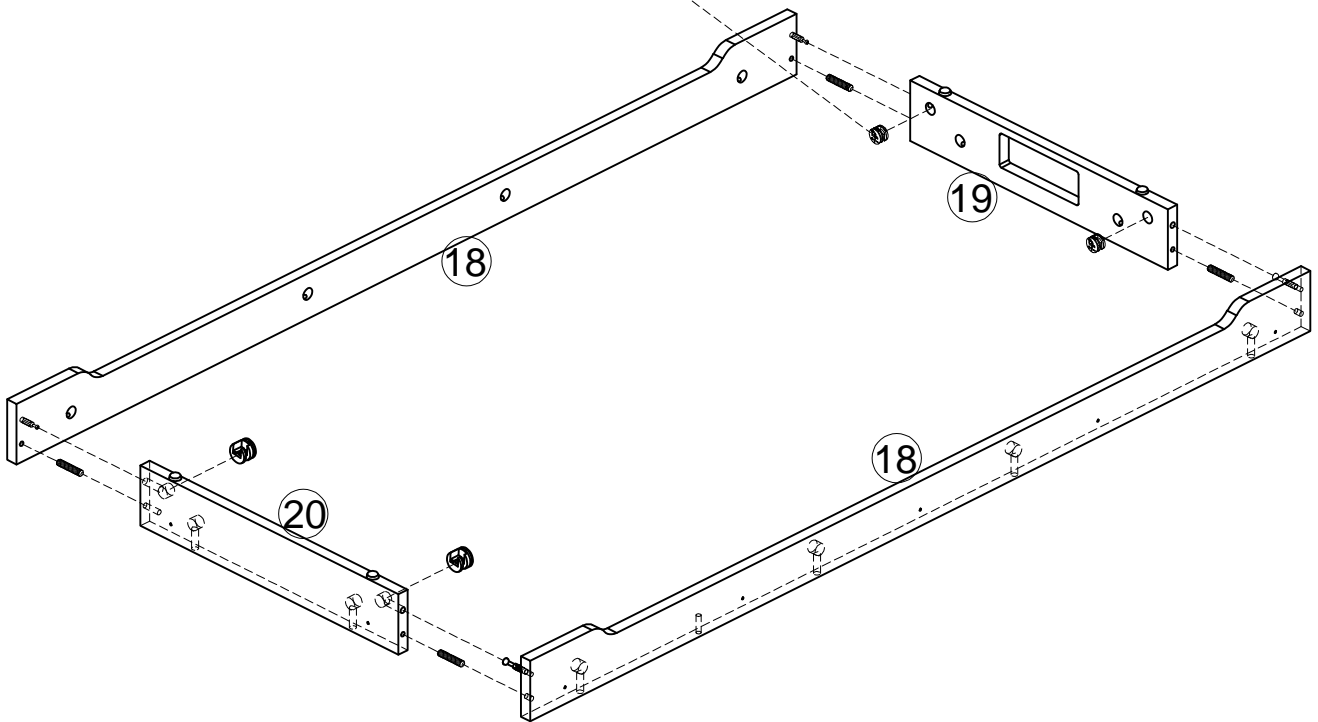
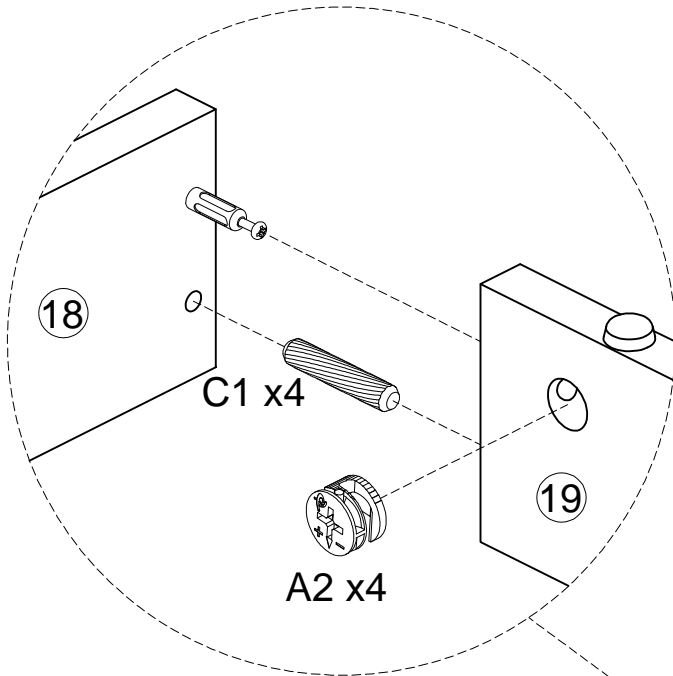
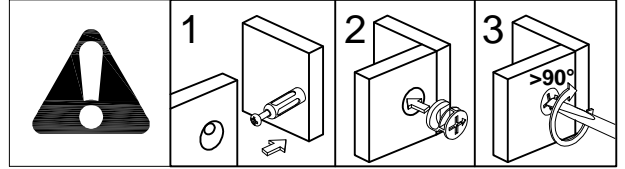
	1 	2 	3 
------------------------------------------------------------------------------------	-------------------------------------------------------------------------------------------------	-------------------------------------------------------------------------------------------------	-------------------------------------------------------------------------------------------------



Assemble

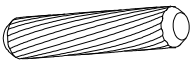



Step 10

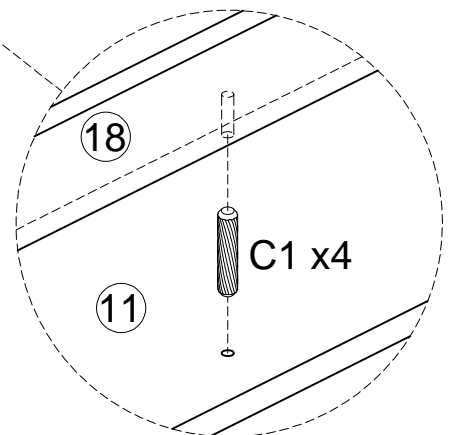
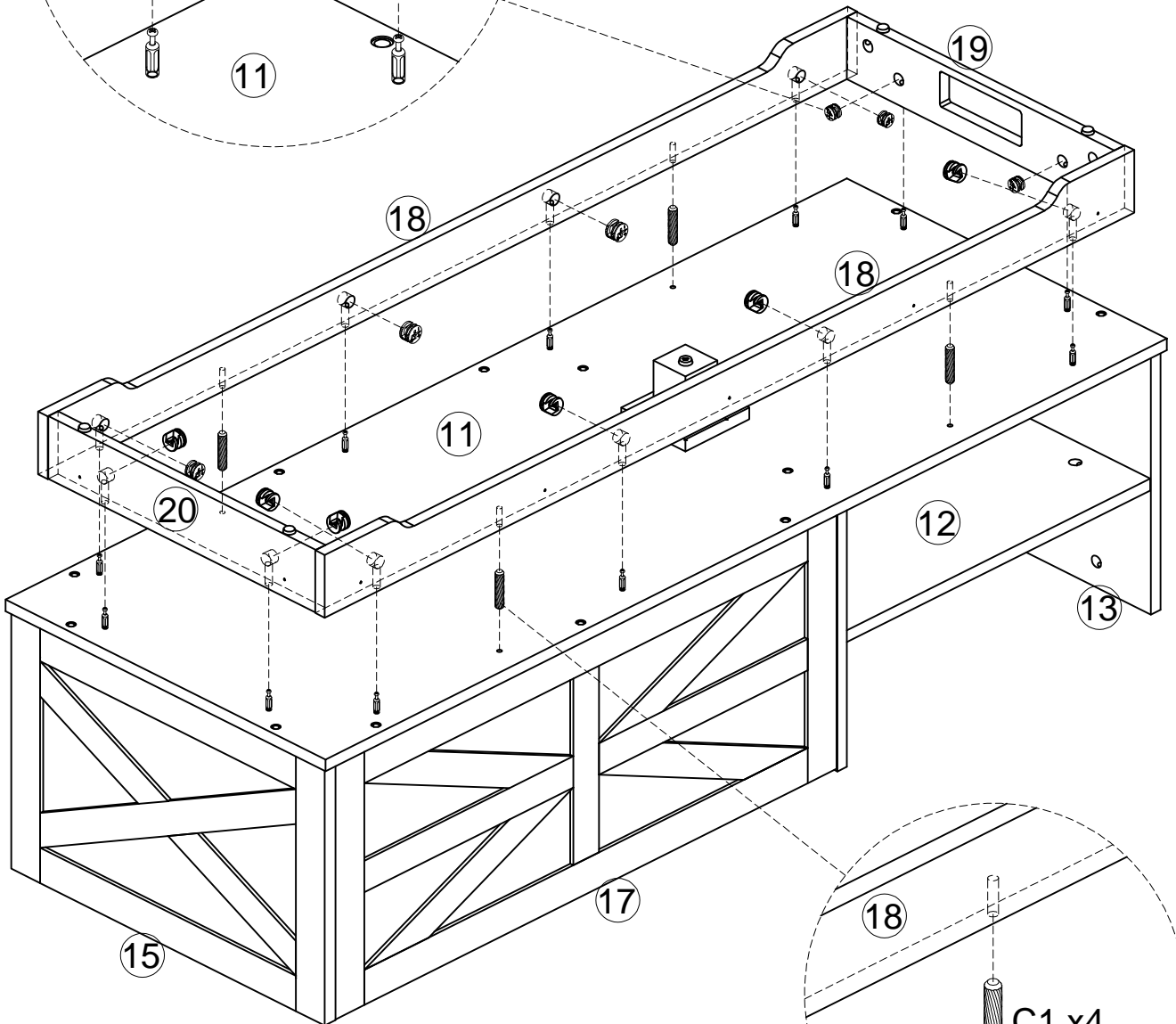
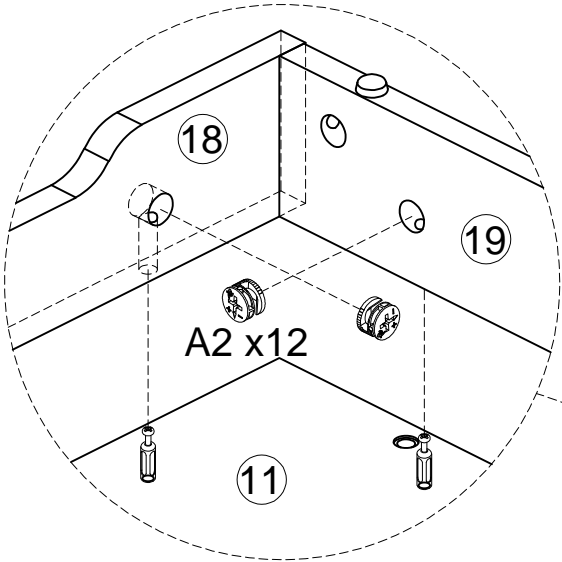
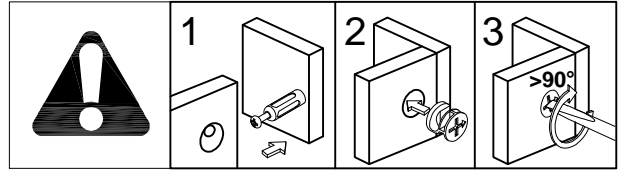
			
Ø6 x 30	Ø15 x 10		
C1	4PCS	A2	4PCS



Assemble


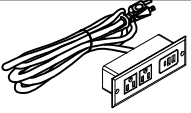


Step 11

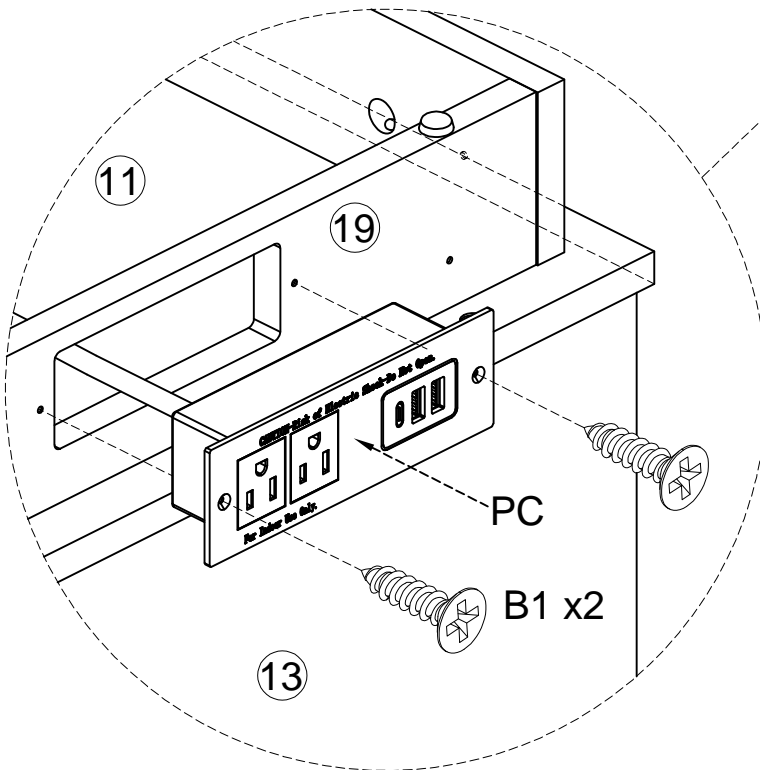
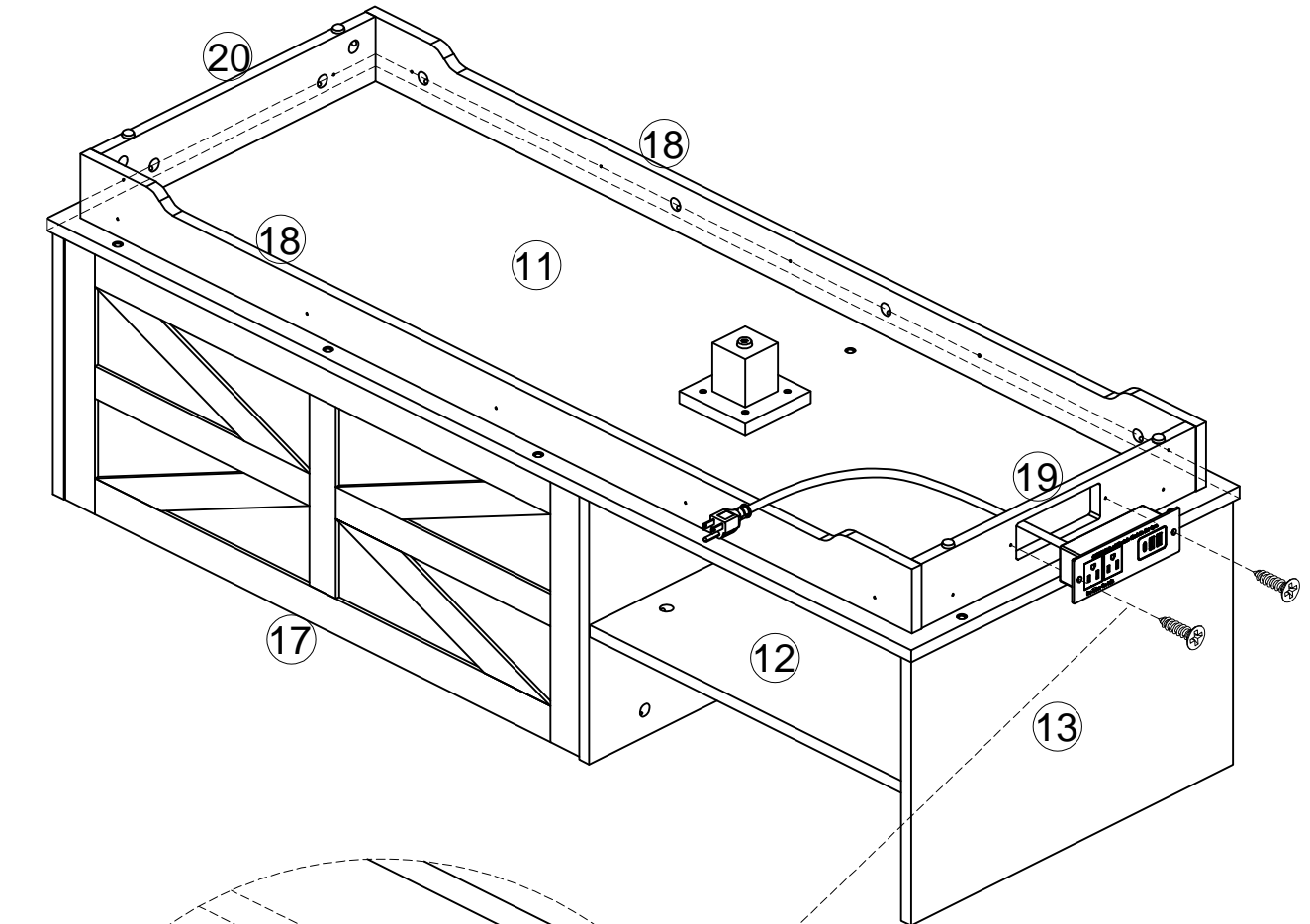
		
Ø6 x 30	Ø15 x 10	
C1 4PCS	A2 12PCS	

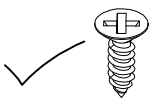
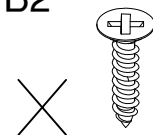
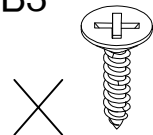


Assemble

Step 12


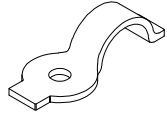
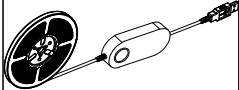
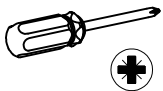

		
Ø3.5x12mm	PC	
B1 2PCS	1PC	



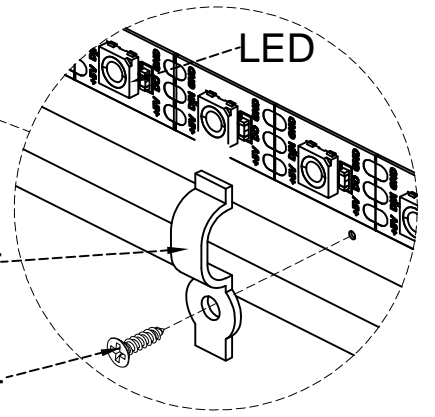
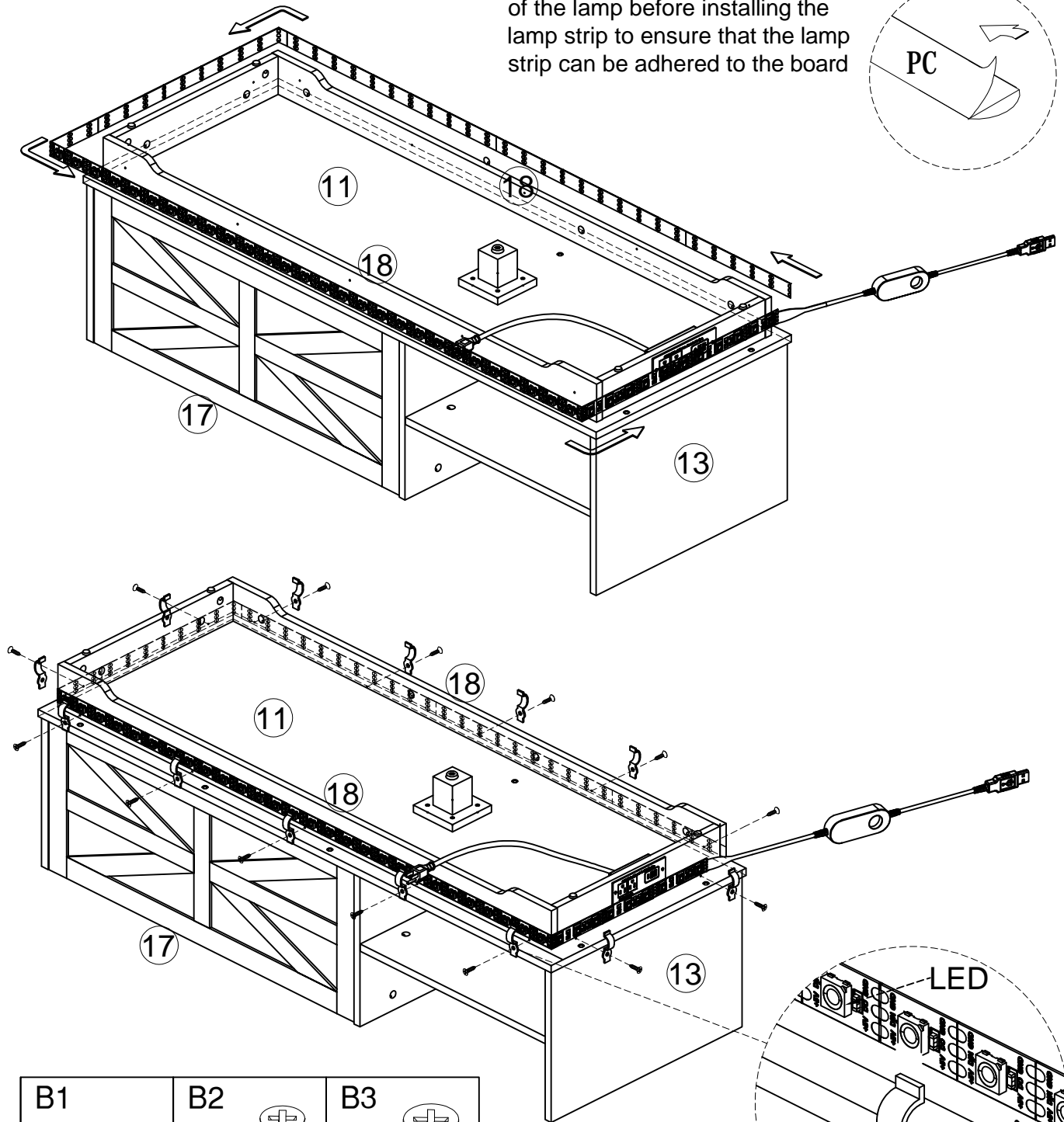
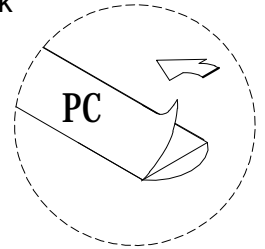
B1	B2	B3
		
Ø3.5x12	Ø4x25	Ø3x12




Assemble

Step 13

			
Ø3x12mm B3 14PCS	C6 14PCS	PC 1PC	


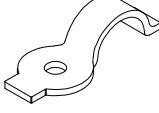
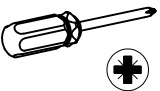

Please remove the film on the back of the lamp before installing the lamp strip to ensure that the lamp strip can be adhered to the board



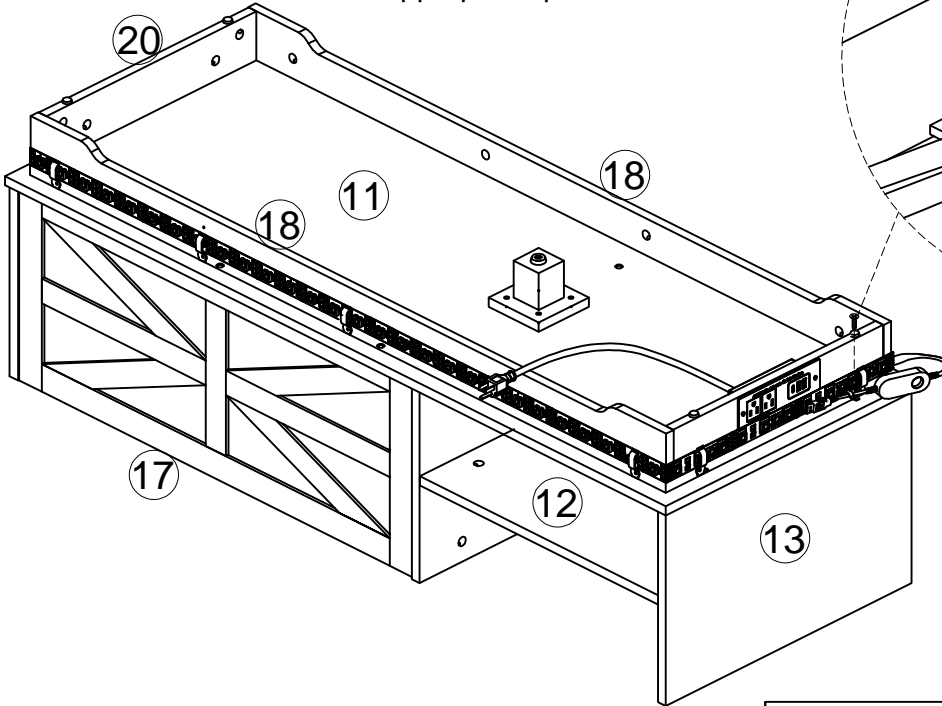
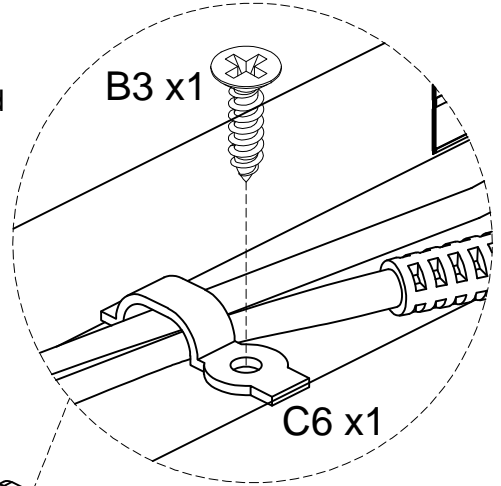
B1  Ø3.5x12	B2  Ø4x25	B3  Ø3x12
------------------------------------------------------------------------------------------------------	----------------------------------------------------------------------------------------------------	----------------------------------------------------------------------------------------------------



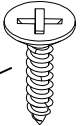
Assemble

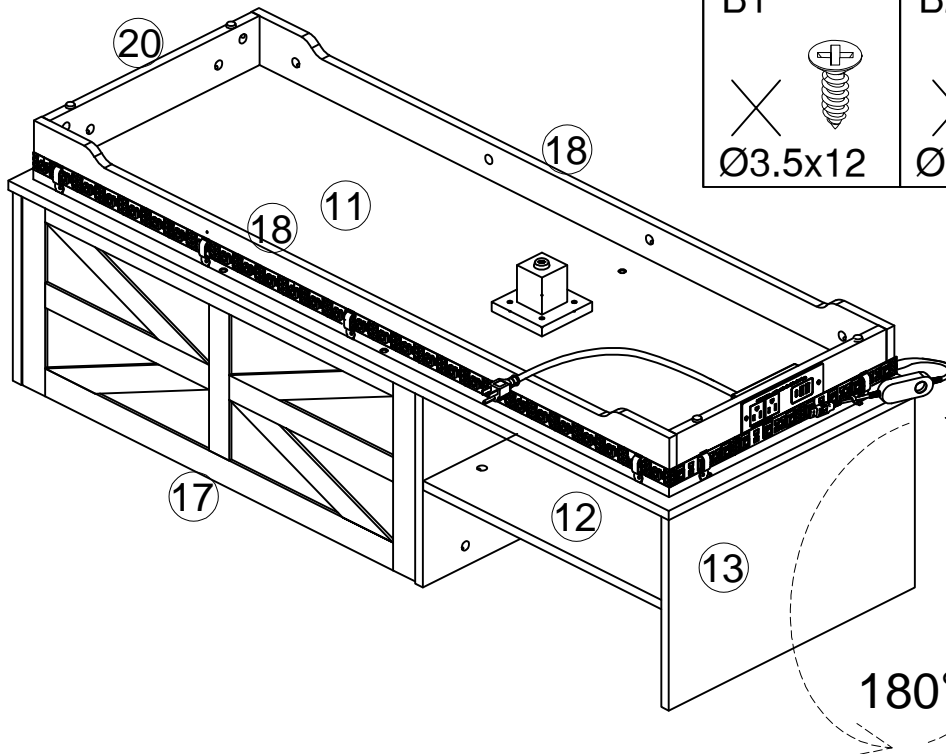
Step 14

		
Ø3x12mm B3 1PC	C6 1PC	

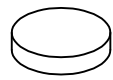
You can fold the grown-out thread and then screw it in place at the appropriate position.

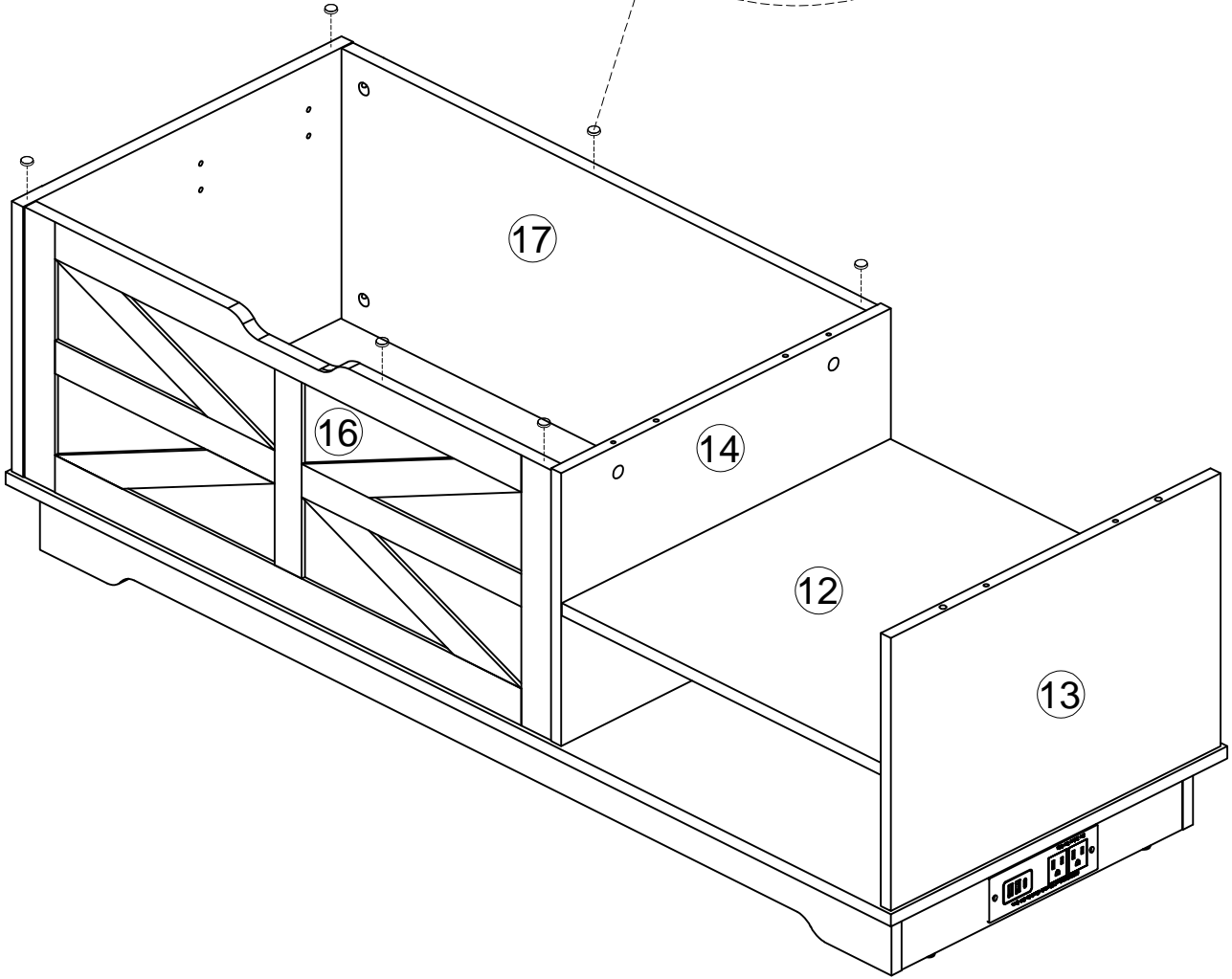
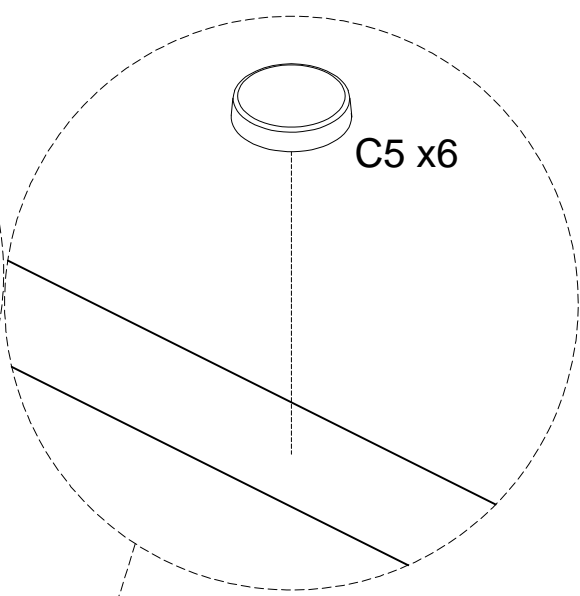
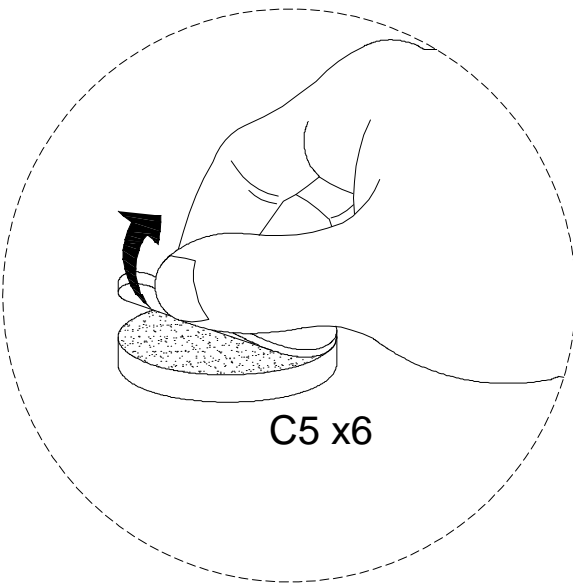


B1  Ø3.5x12	B2  Ø4x25	B3  Ø3x12
-------------------------------------------------------------------------------------------------------	------------------------------------------------------------------------------------------------------	------------------------------------------------------------------------------------------------------



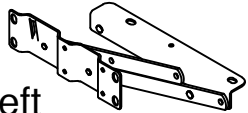
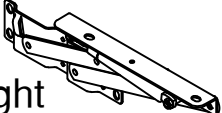
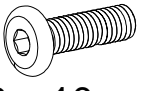
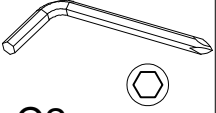
Step 15

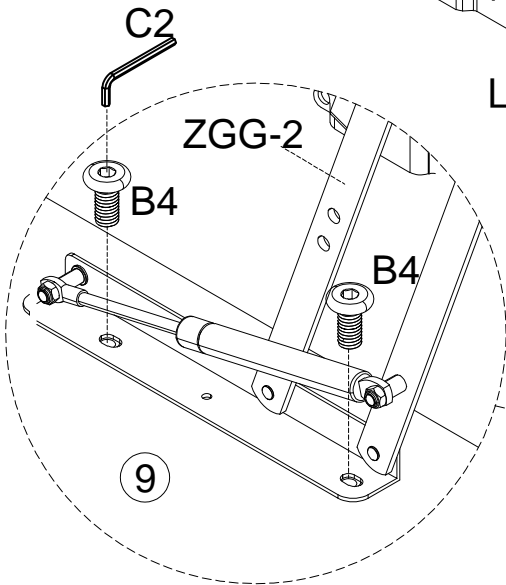
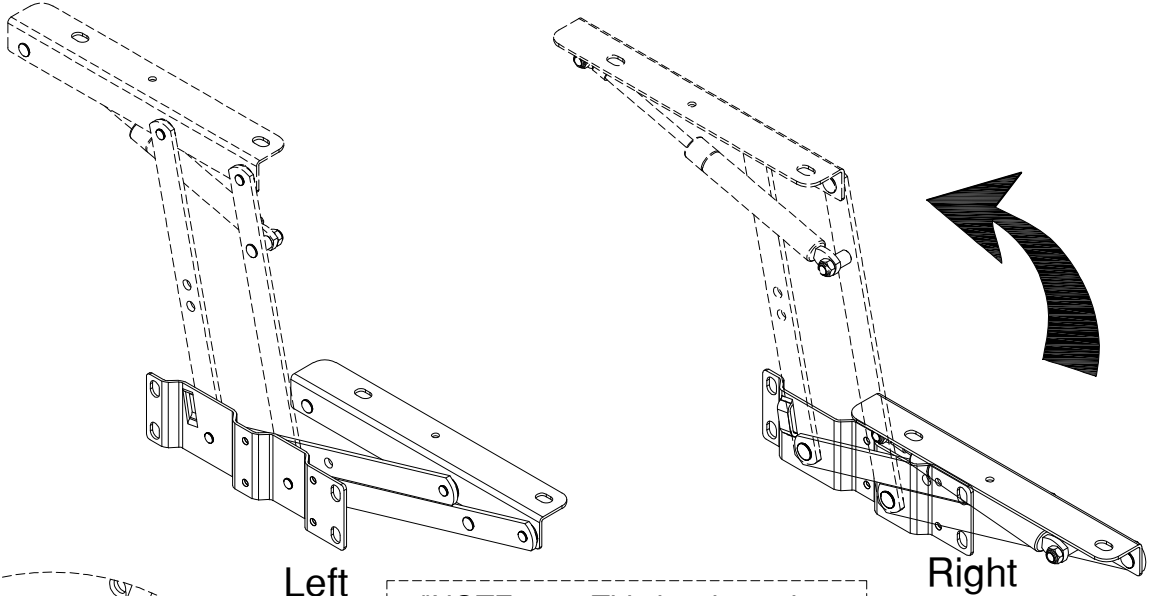
	
Ø15 x 3 mm	
C5	6PCS



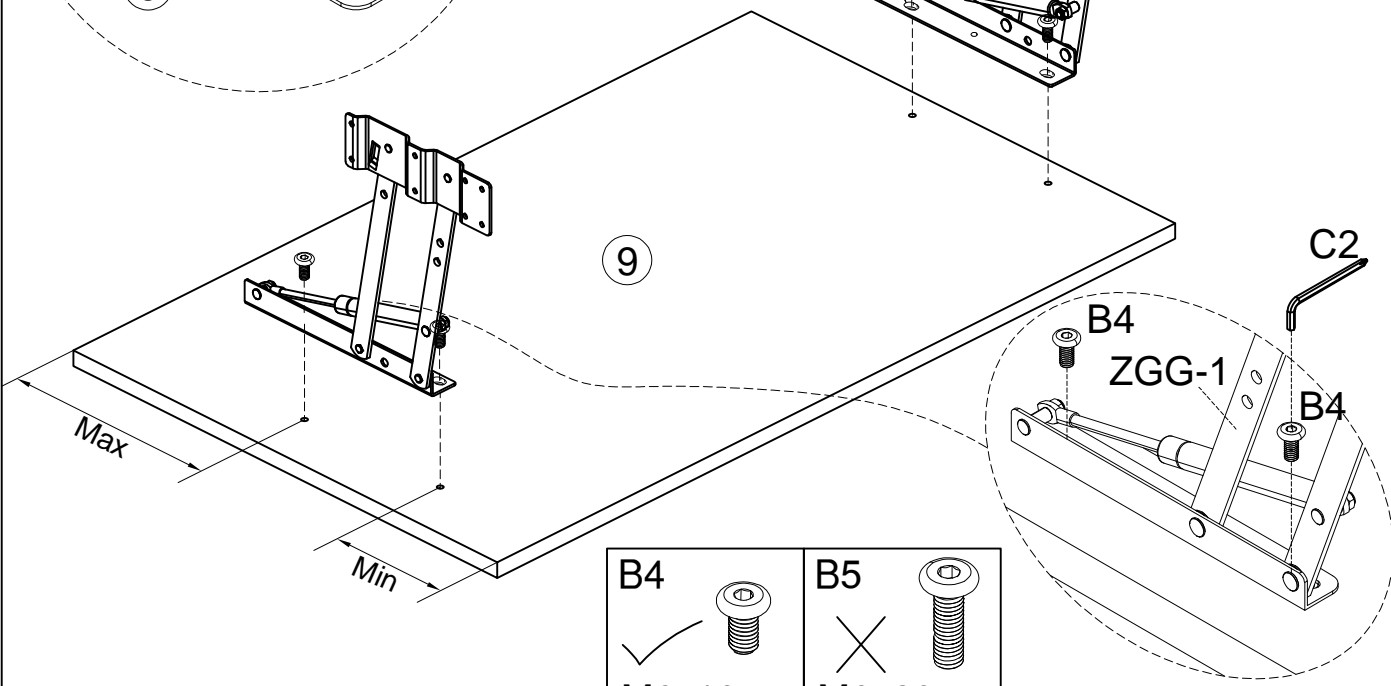
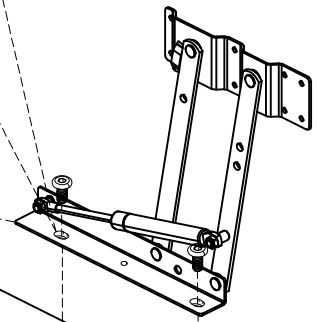
Assemble


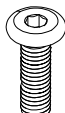
Step 16

			
Left ZGG-2 1PC	Right ZGG-1 1PC	M6 x 10 mm B4 4PCS	C2



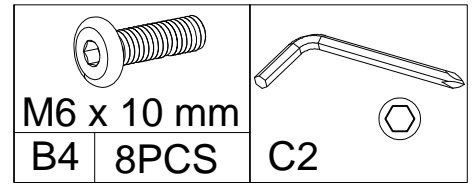
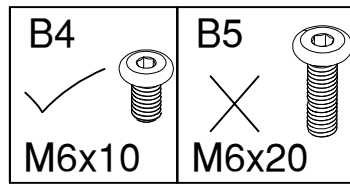
"NOTE: This is a long slot. After closing the panel, minor positional adjustment is permitted along the slot's length."



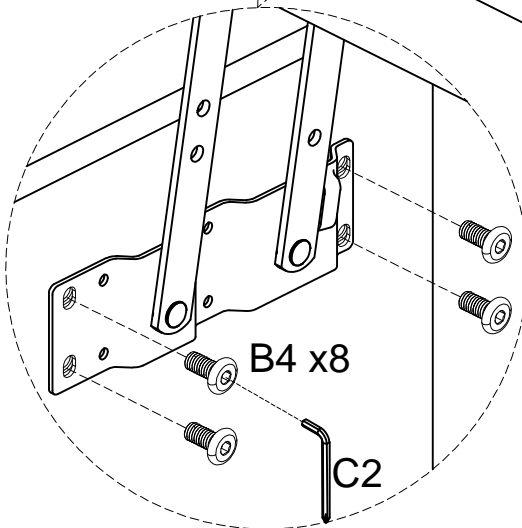
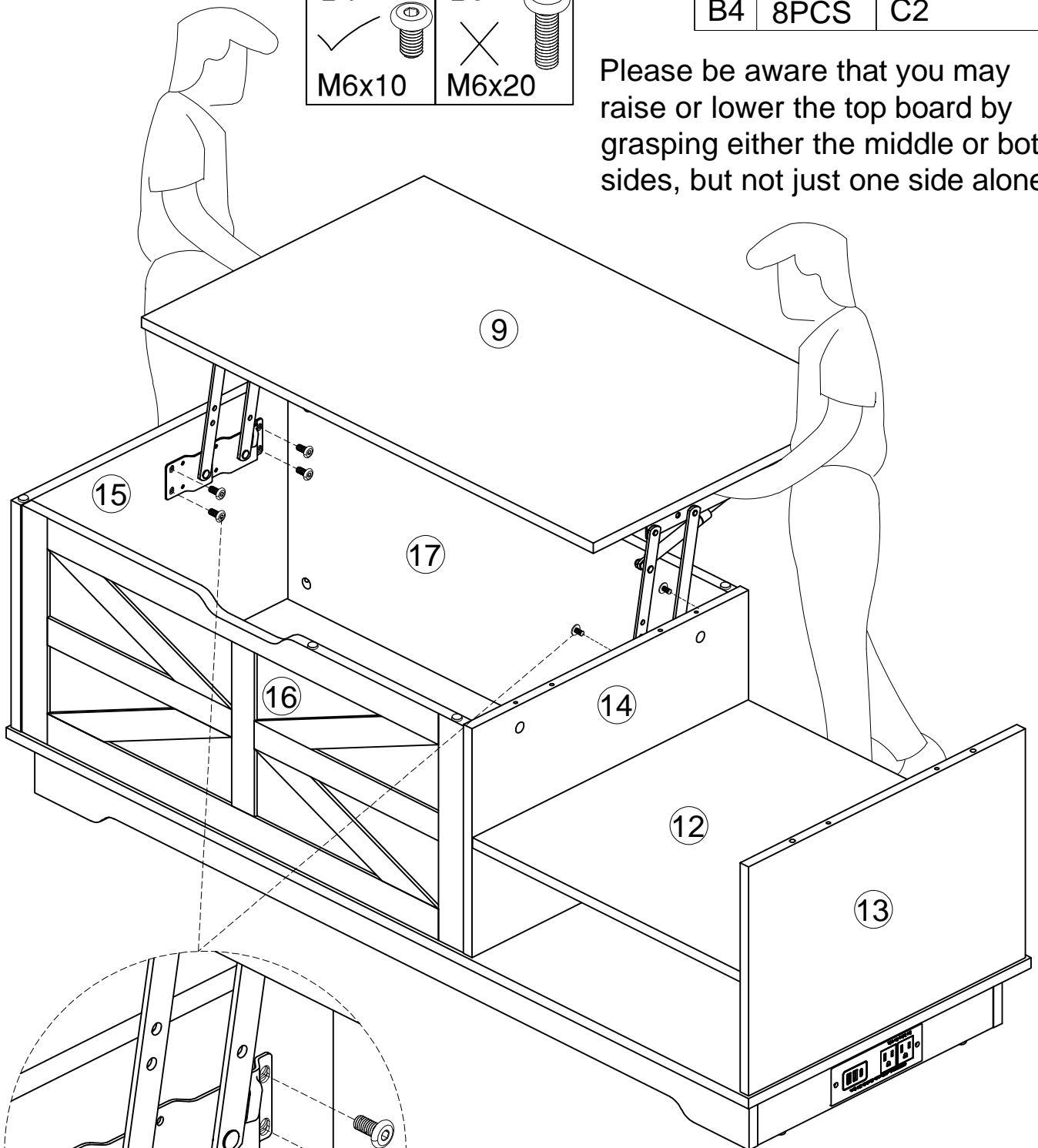
B4 ✓ M6x10		B5 ✗ M6x20	
------------------	-------------------------------------------------------------------------------------	------------------	---------------------------------------------------------------------------------------

Assemble

Step 17



Please be aware that you may raise or lower the top board by grasping either the middle or both sides, but not just one side alone


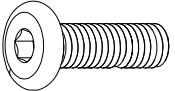



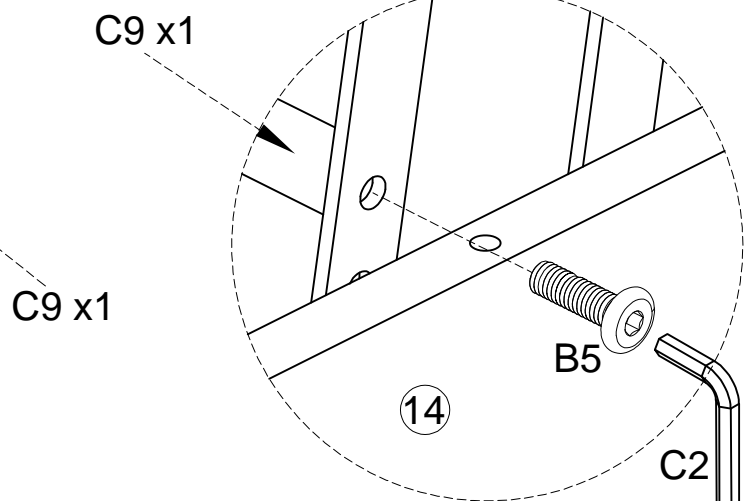
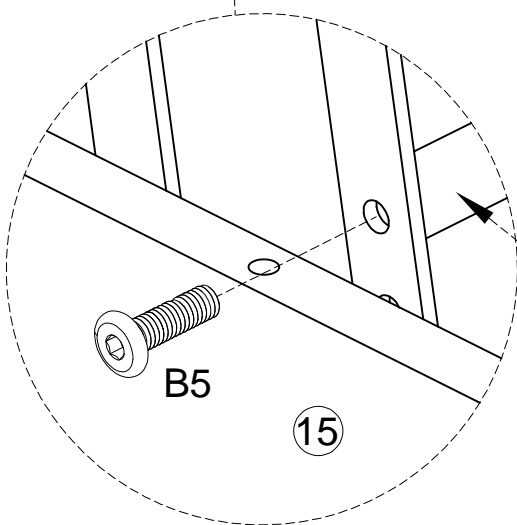
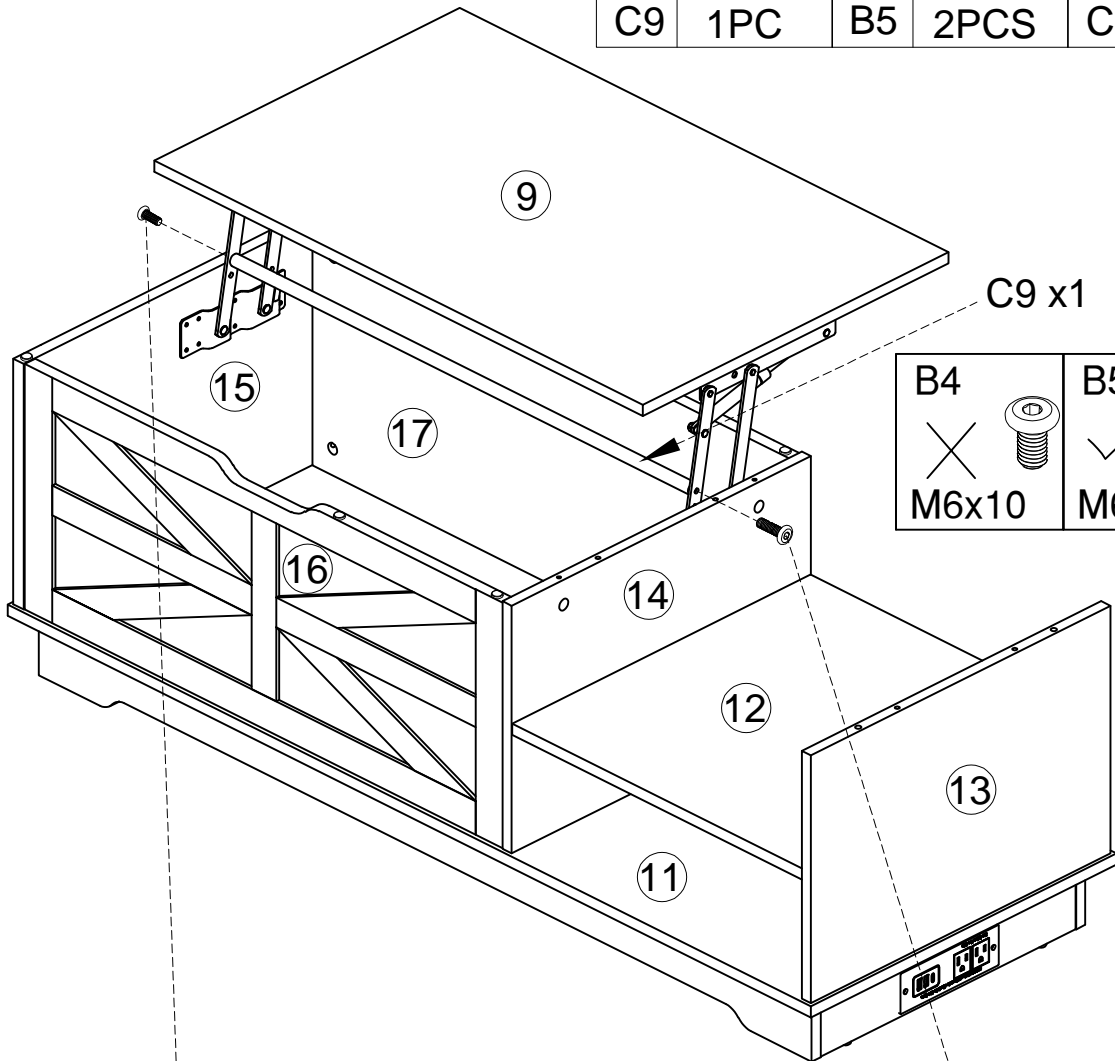
WARNING !

Do not play on this furniture with mechanical devices. Be careful to avoid injury when you are about to close the table top downwards. Always keep this furniture closed when not in use

Assemble

Step 18





		
C9	M6 x 20 mm	
1PC	B5 2PCS	C2

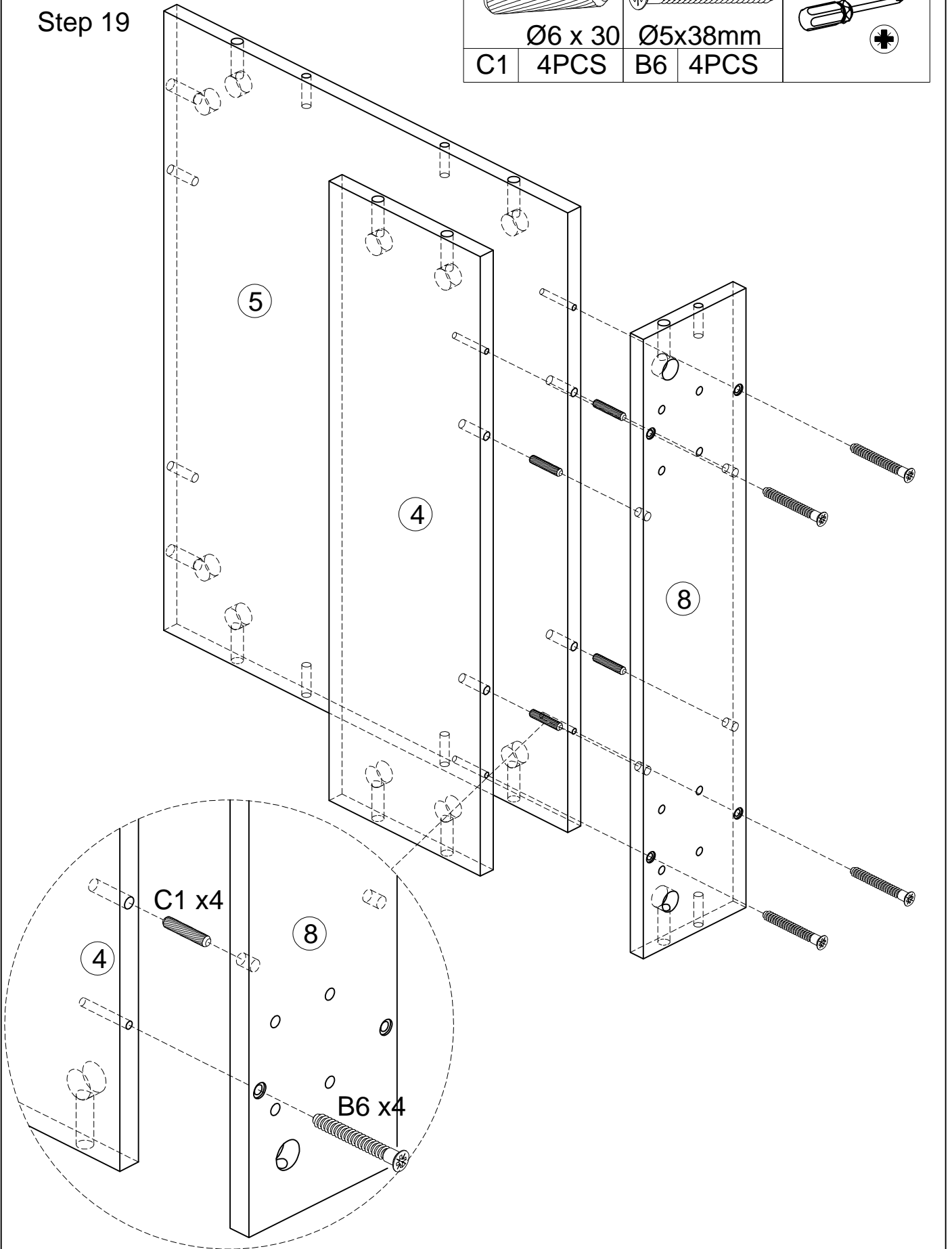


Adjust the left-right gap of Part # 9 by twisting the screw B5. Loosen one end and tighten the other until the gap is properly set. Then, tighten all the screws to 100%.

Assemble

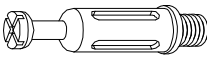

Step 19


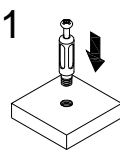
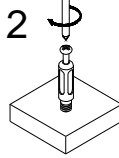
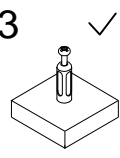
		
Ø6 x 30	Ø5x38mm	
C1 4PCS	B6 4PCS	

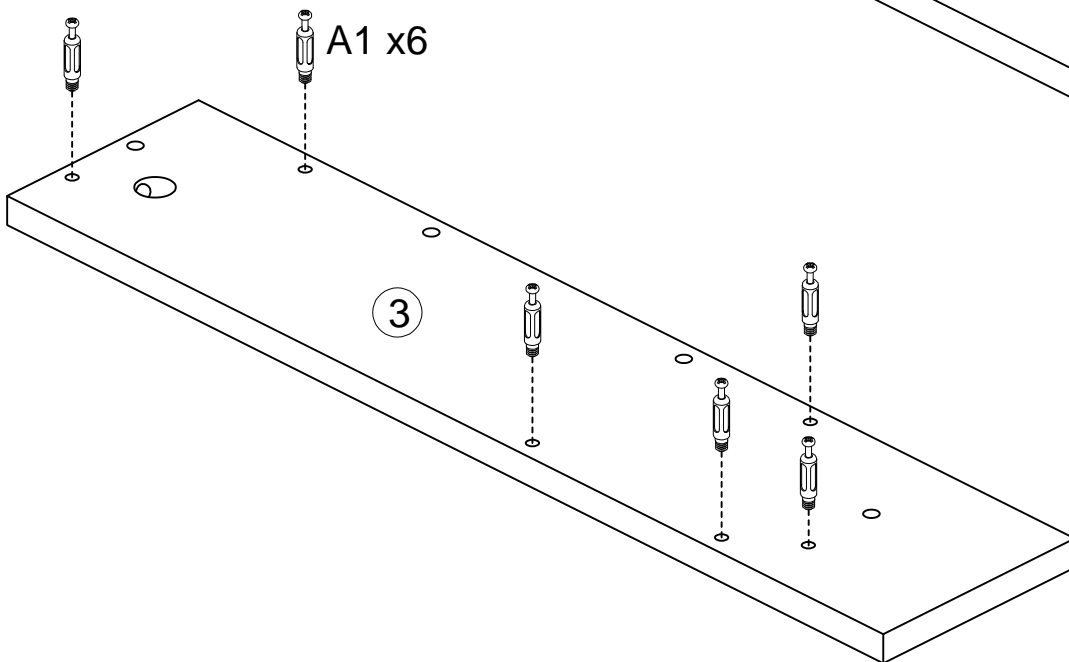
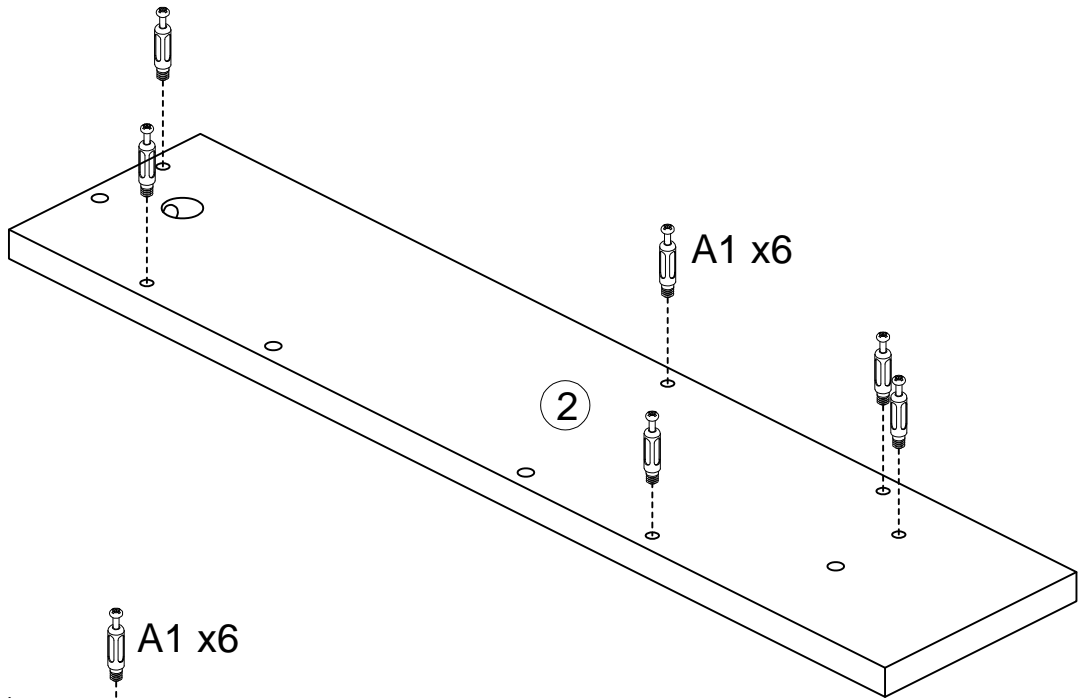


Assemble

Step 20


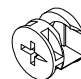


	
M6x40	
A1	12PCS

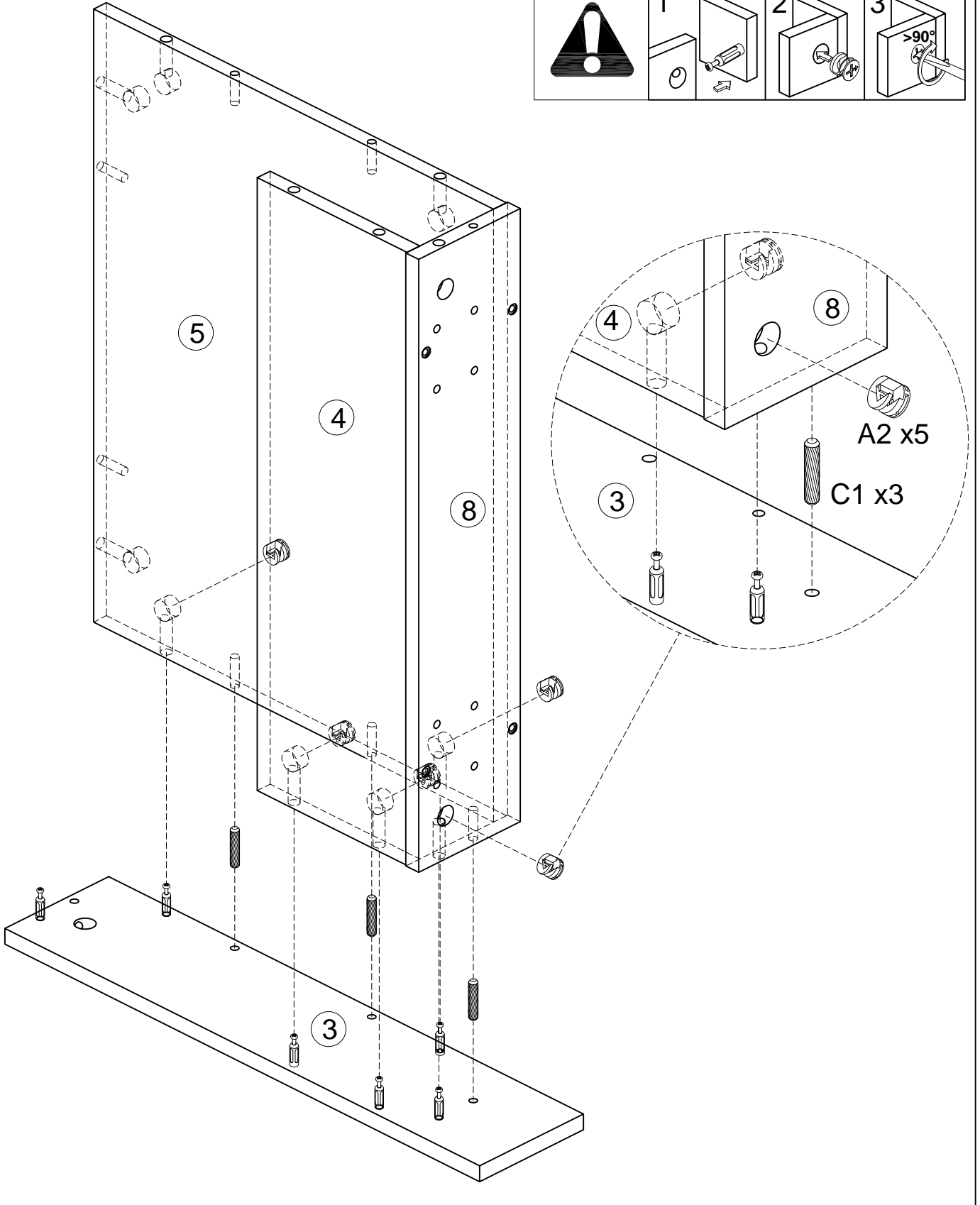
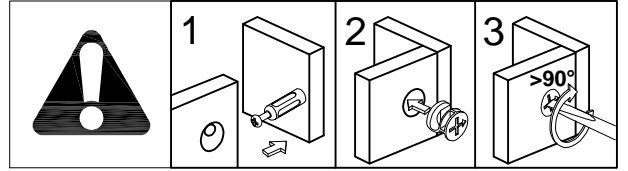
	1 	2 	3 
------------------------------------------------------------------------------------	-------------------------------------------------------------------------------------------------	-------------------------------------------------------------------------------------------------	-------------------------------------------------------------------------------------------------



Assemble

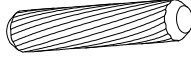
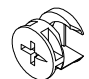


Step 21

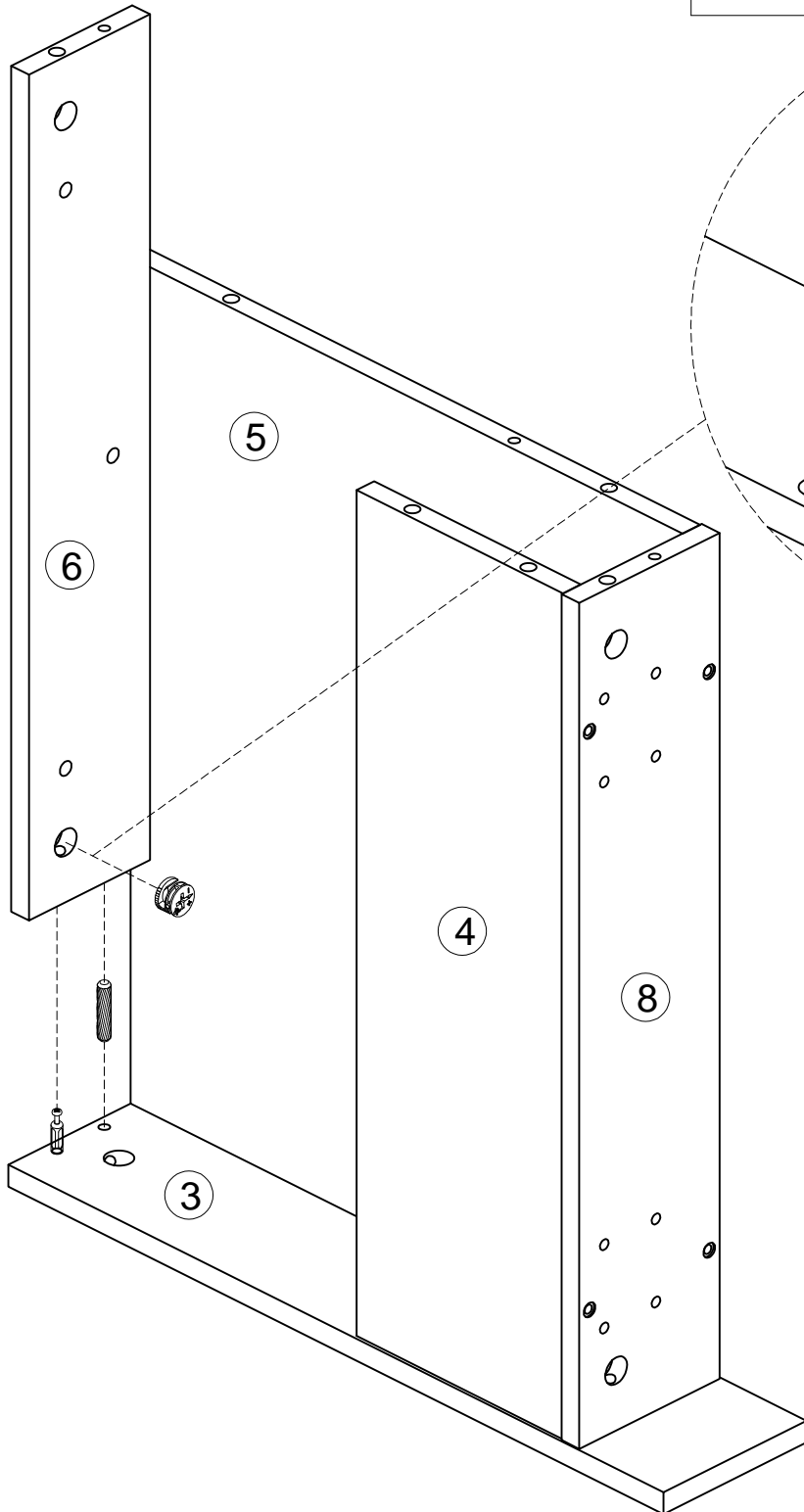
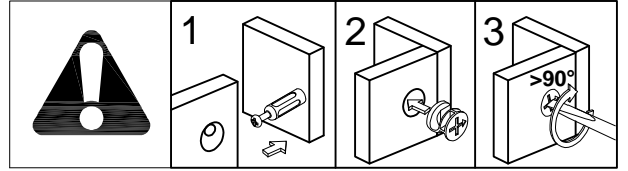
		
Ø6 x 30	Ø15 x 10	
C1 3PCS	A2 5PCS	



Assemble

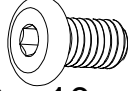
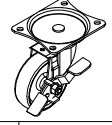

Step 22

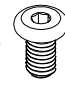
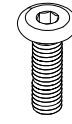
		
Ø6 x 30	Ø15 x 10	
C1 1PCS	A2 1PCS	

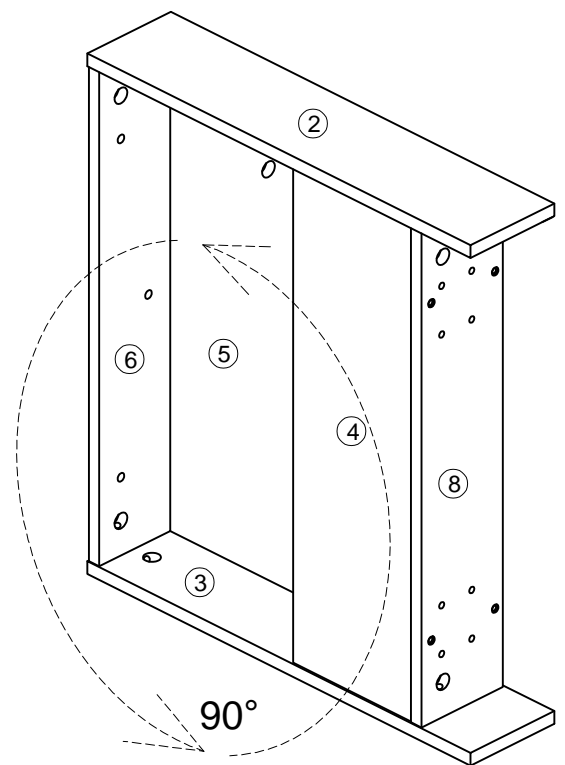
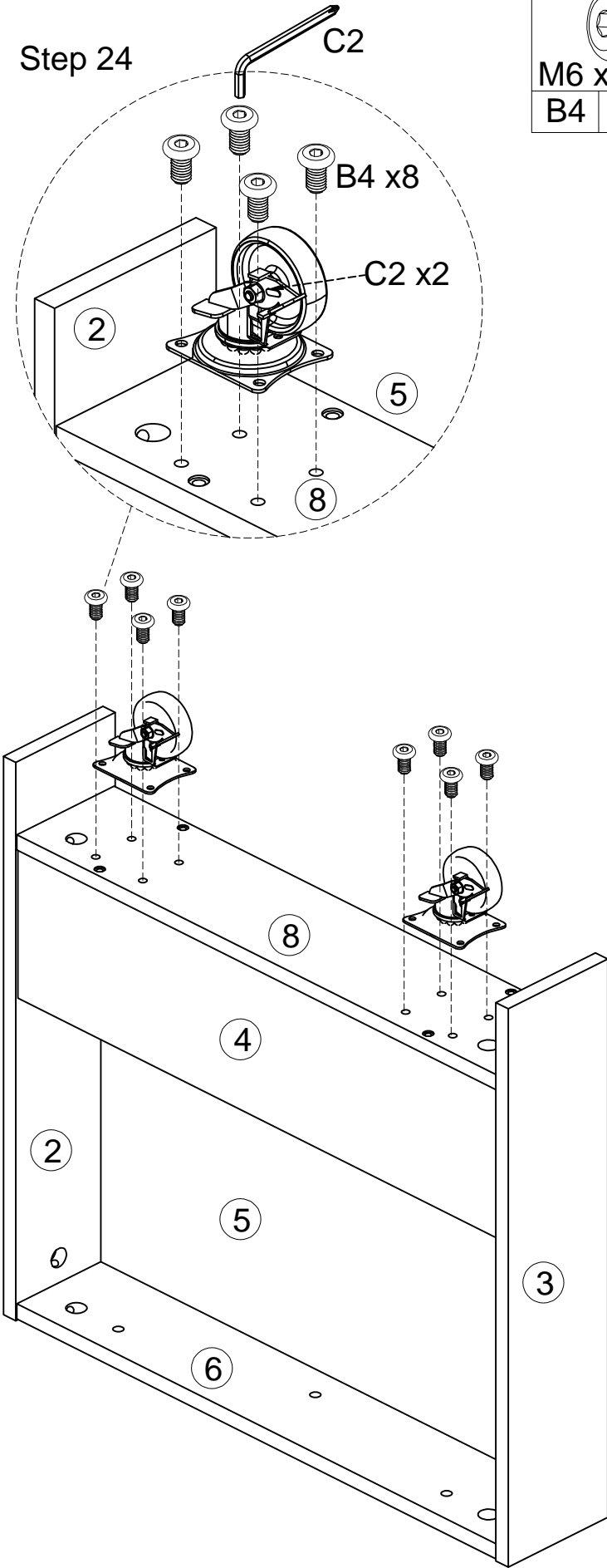


Assemble

Step 24

		
M6 x 10 mm	C3	C2
B4 8PCS	2PCS	

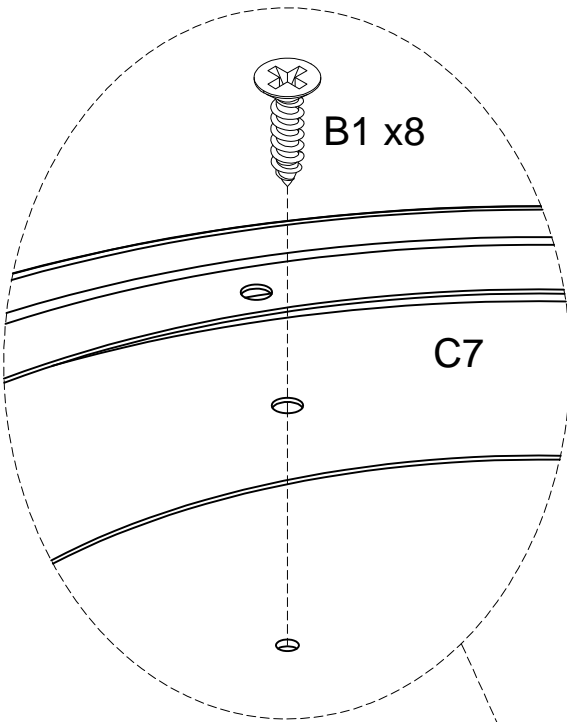
B4 ✓ M6x10 	B5 ✗ M6x20 
--------------------------------------------------------------------------------------------------------	---------------------------------------------------------------------------------------------------------



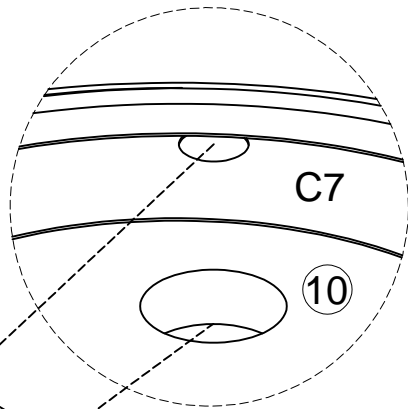
Assemble

Step 25

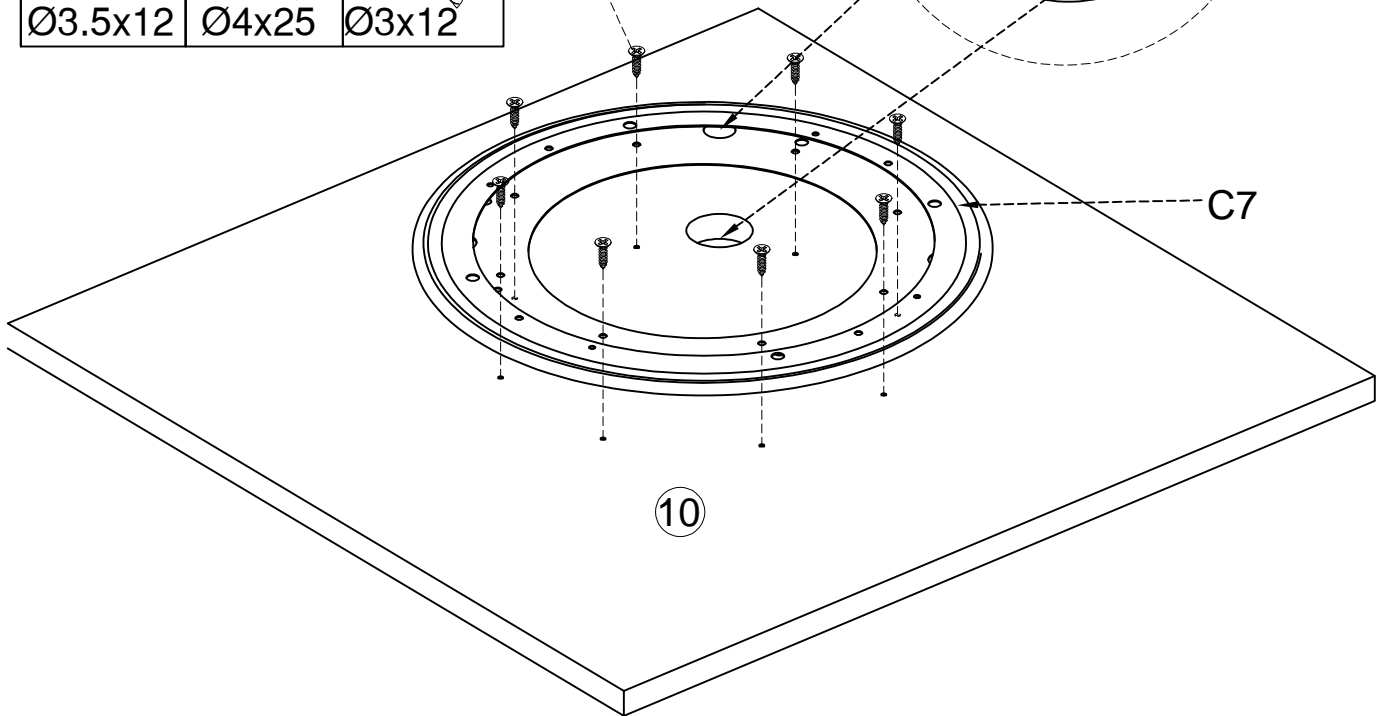
C7	1PC	B1	8PCS	



Please note that the large hole on part #10 must be in the same position as the large hole on the turntable (C7), and the small hole on part #10 must be in the same position as the small hole on the turntable (C7) in order to lock the accessory (B1 pcs).

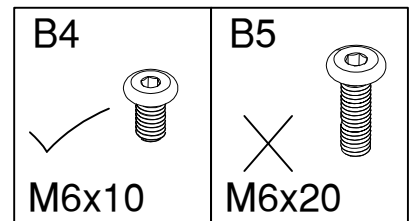
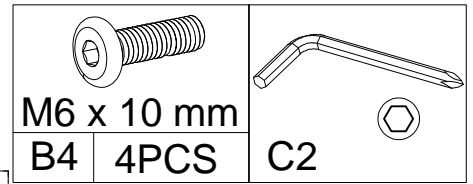
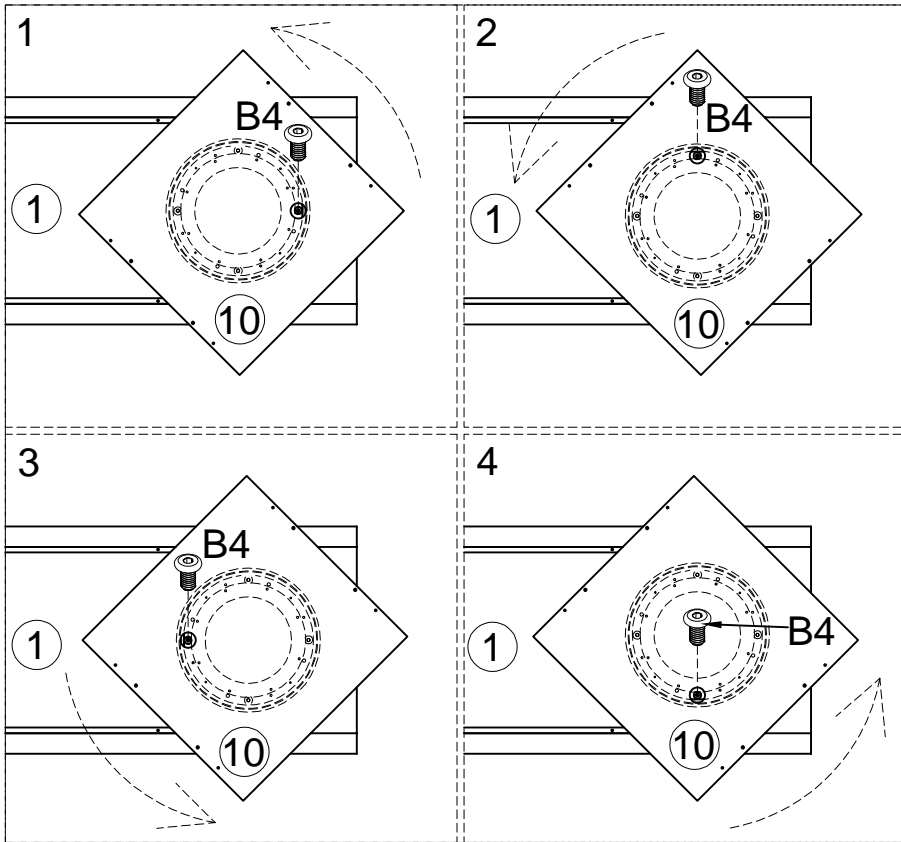


B1	B2	B3
Ø3.5x12	Ø4x25	Ø3x12

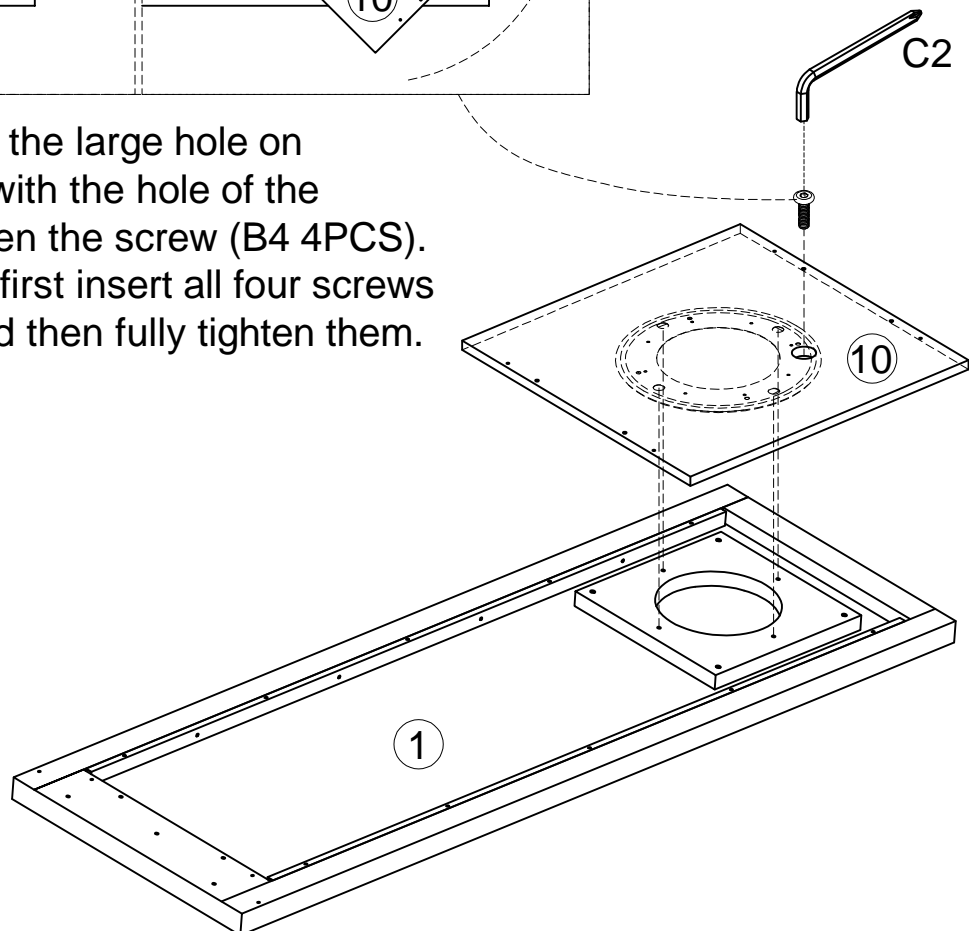


Assemble

Step 26

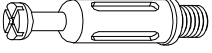



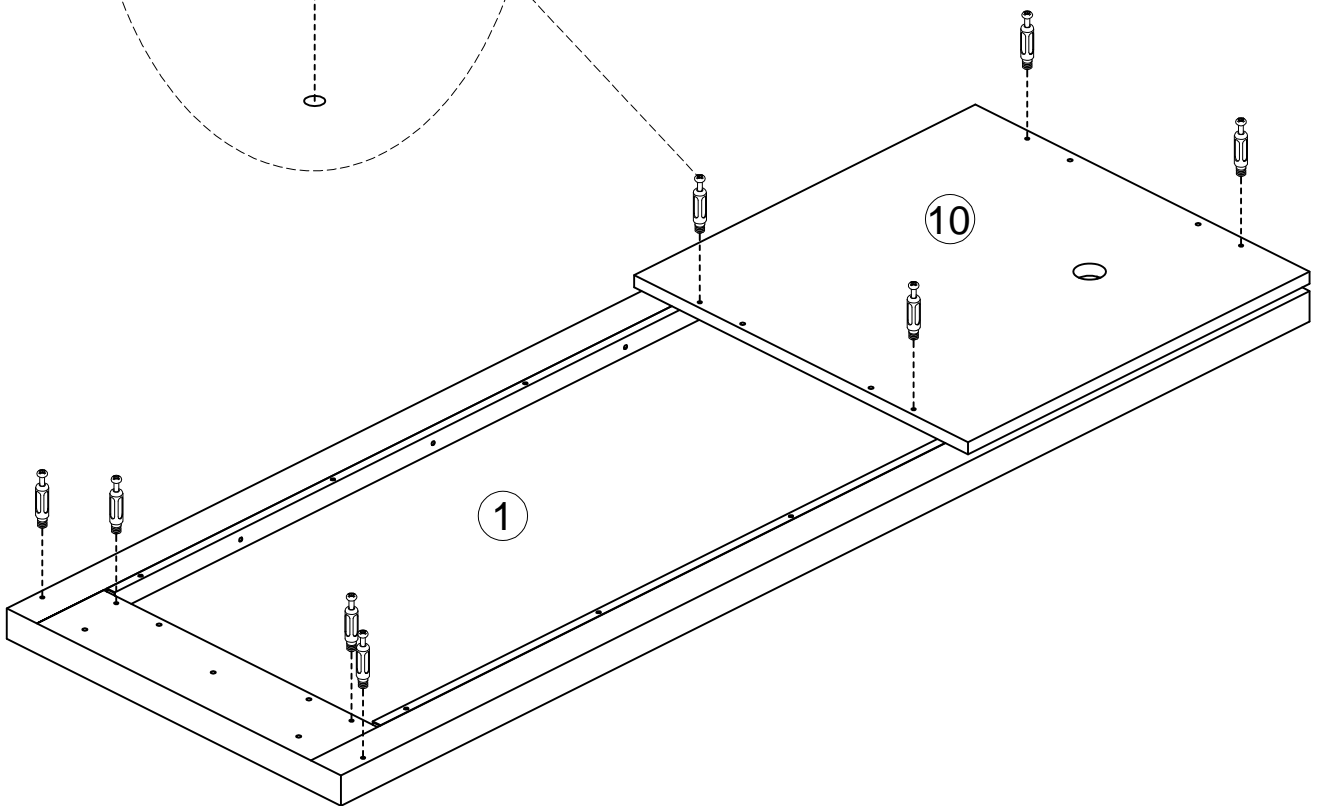
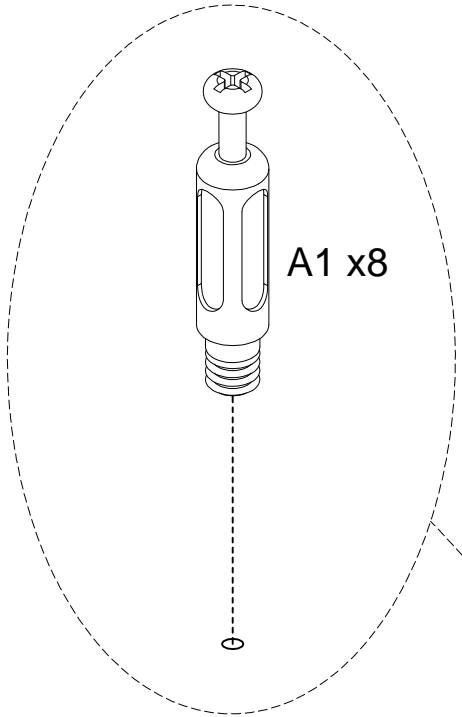
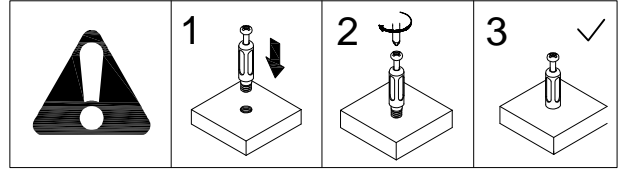
By rotating, align the large hole on component #10 with the hole of the screw, then tighten the screw (B4 4PCS). Please note that first insert all four screws into the holes and then fully tighten them.



Assemble


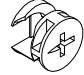


Step 27

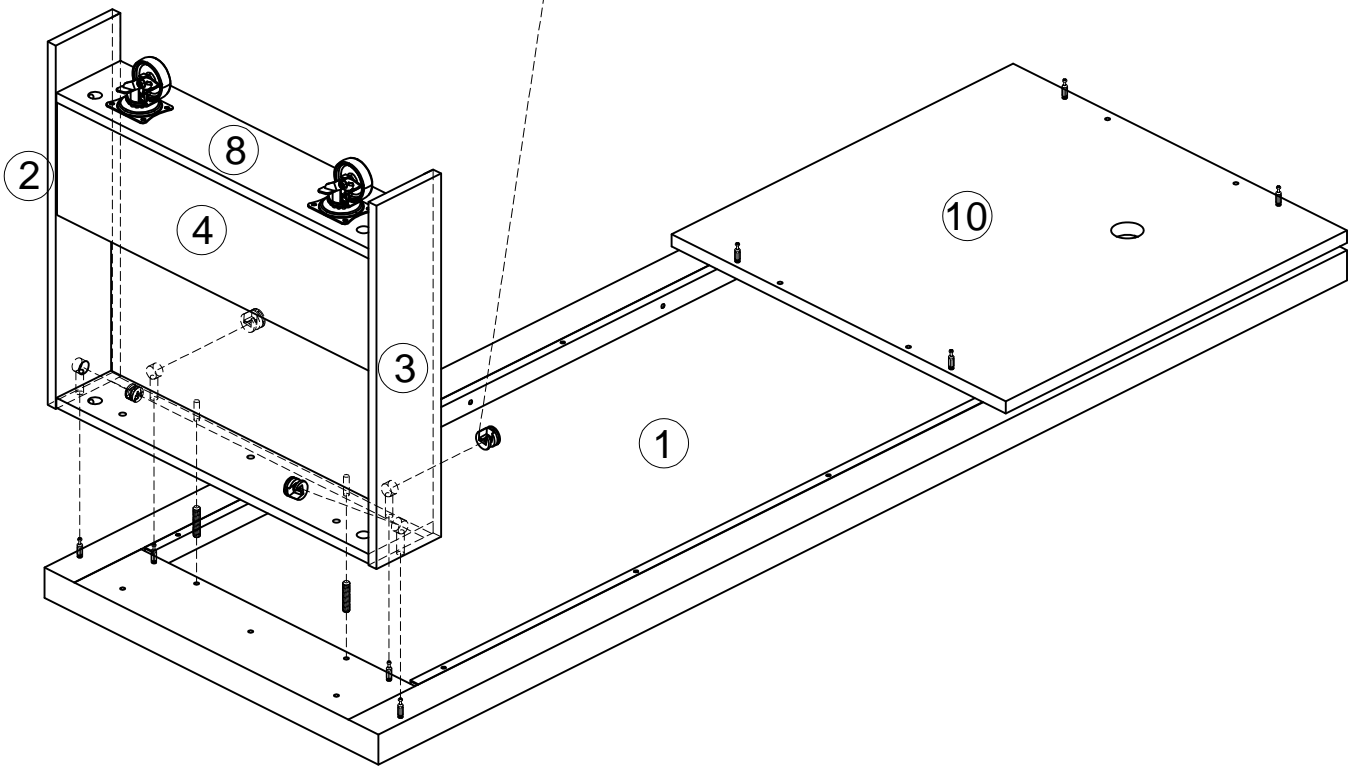
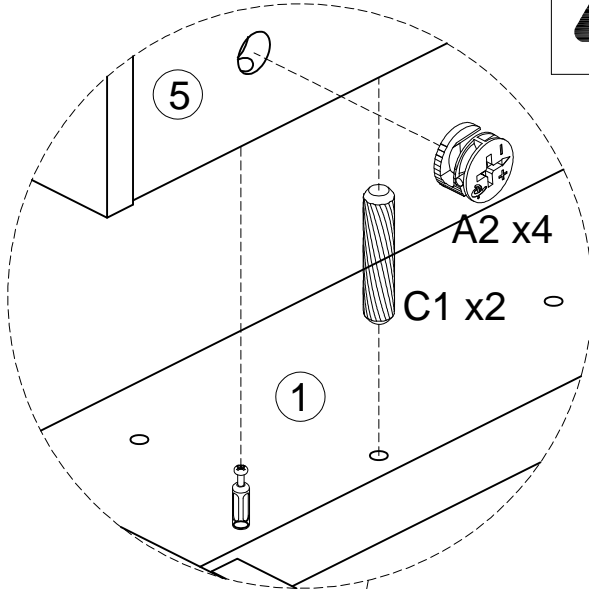
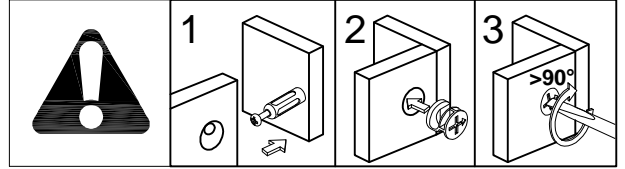
	
M6x40	
A1	8PCS



Assemble

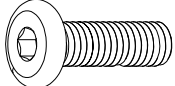


Step 28

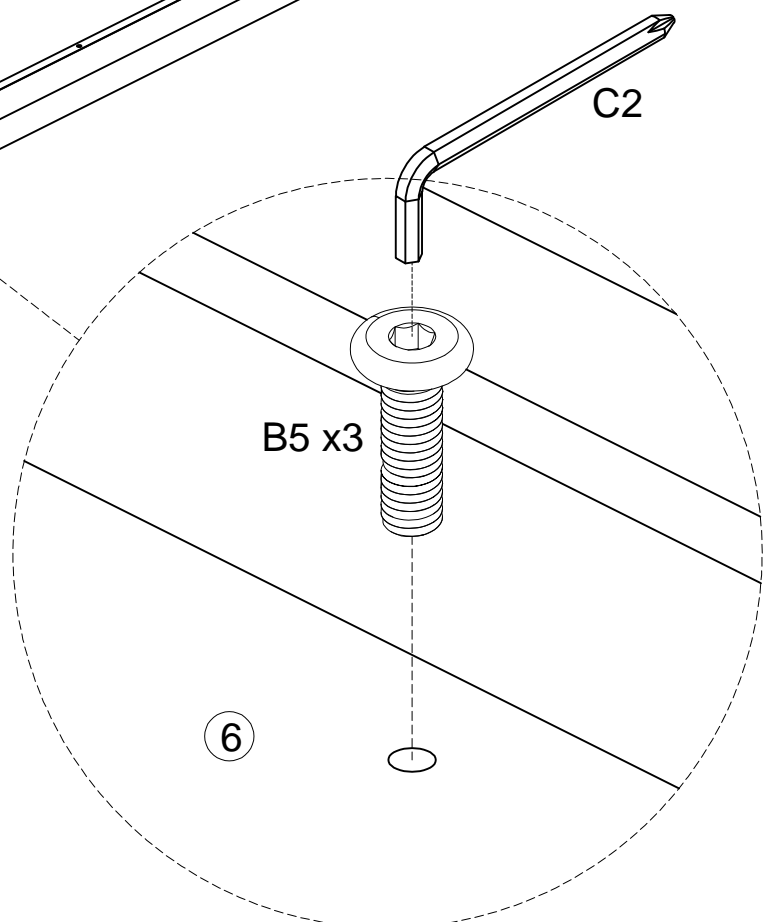
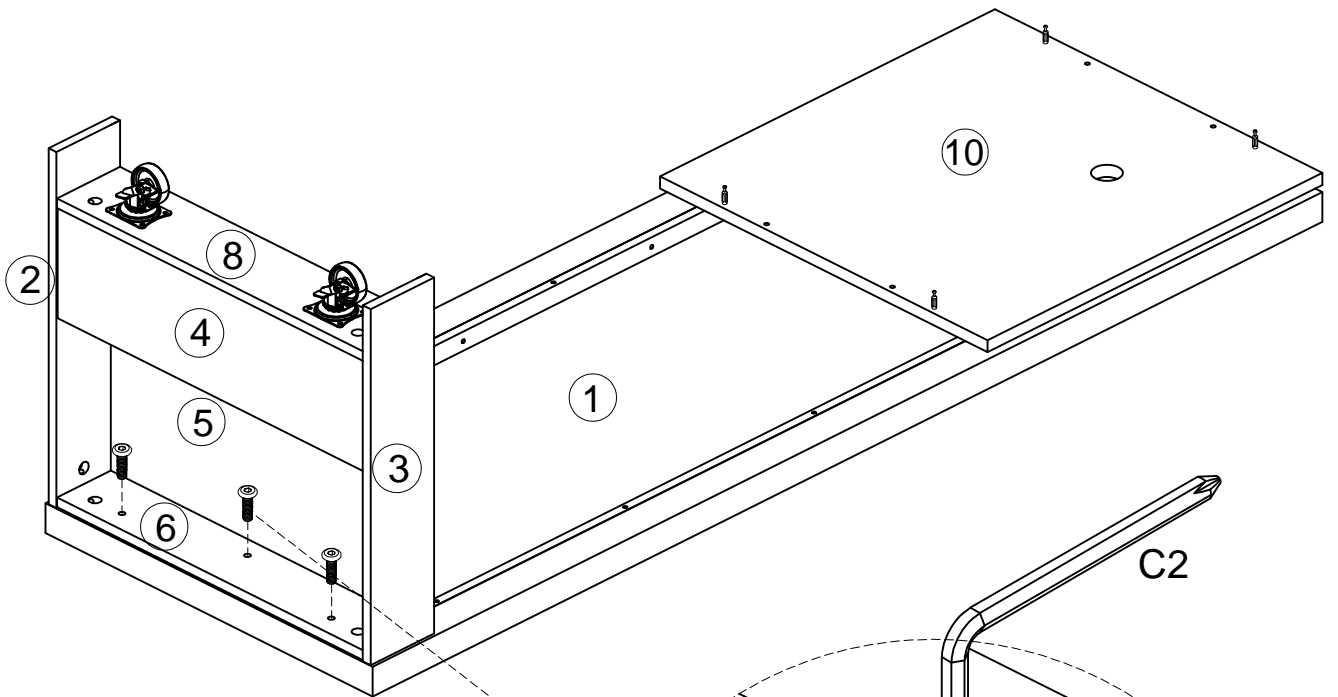
		
Ø6 x 30	Ø15 x 10	
C1 2PCS	A2 4PCS	

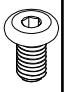
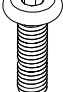


Assemble

Step 29





	
M6 x 20 mm	C2
B5 3PCS	

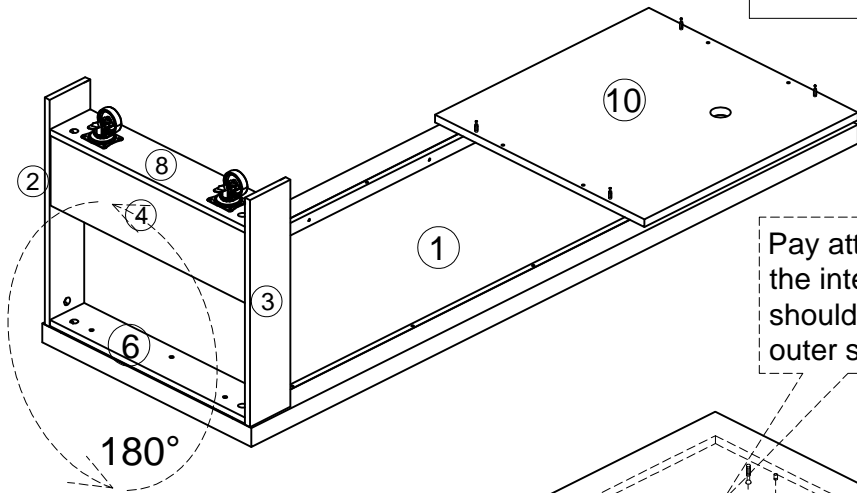
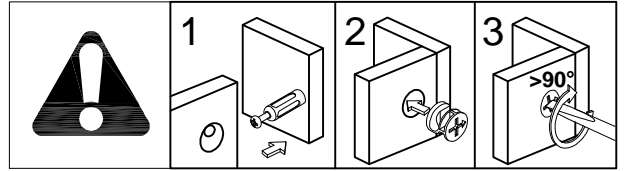


B4		B5	
M6x10		M6x20	

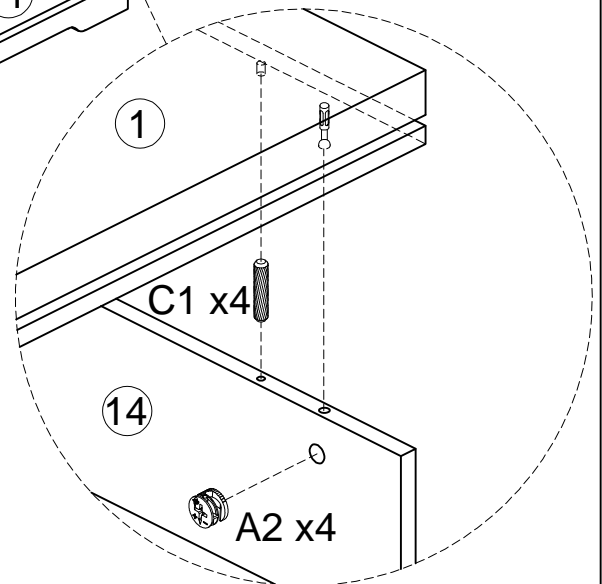
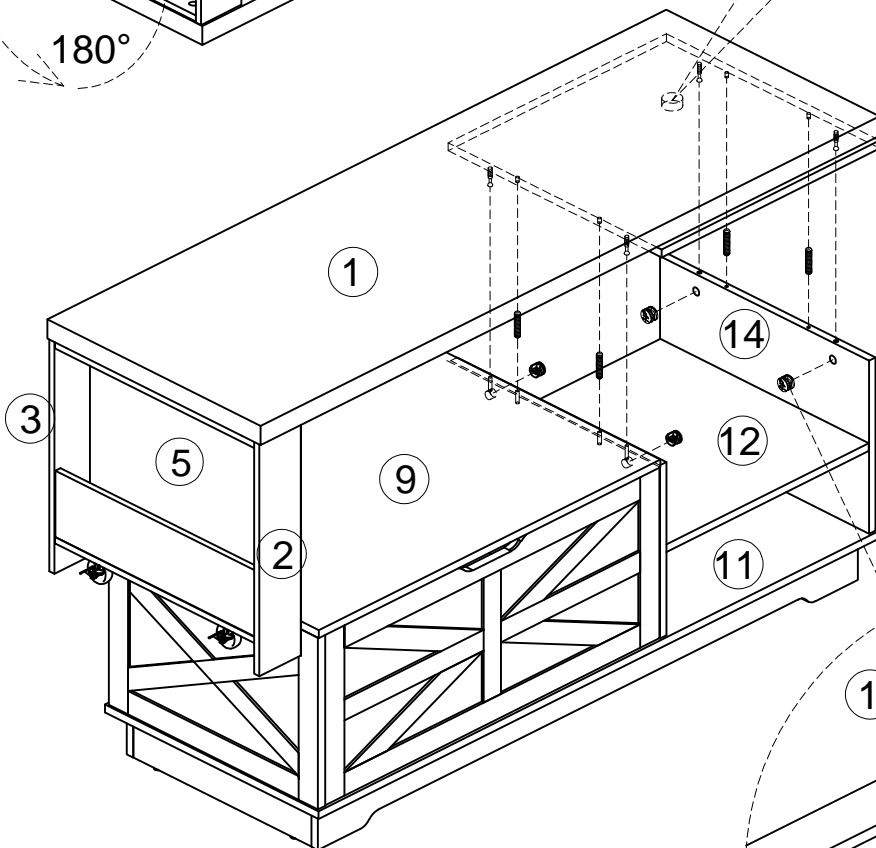
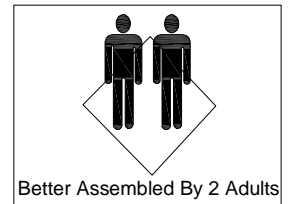
Assemble

Step 30

	$\text{Ø}6 \times 30$		$\text{Ø}15 \times 10$	
C1	4PCS	A2	4PCS	

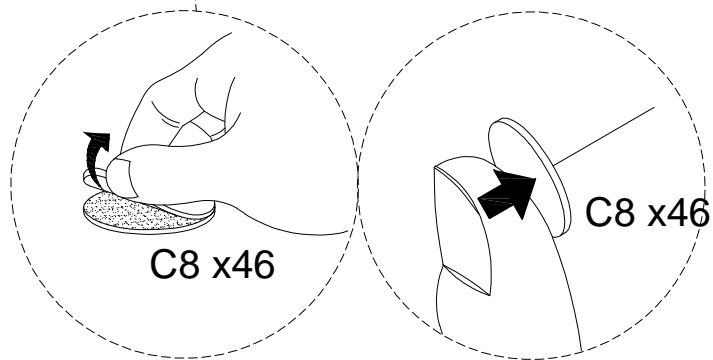
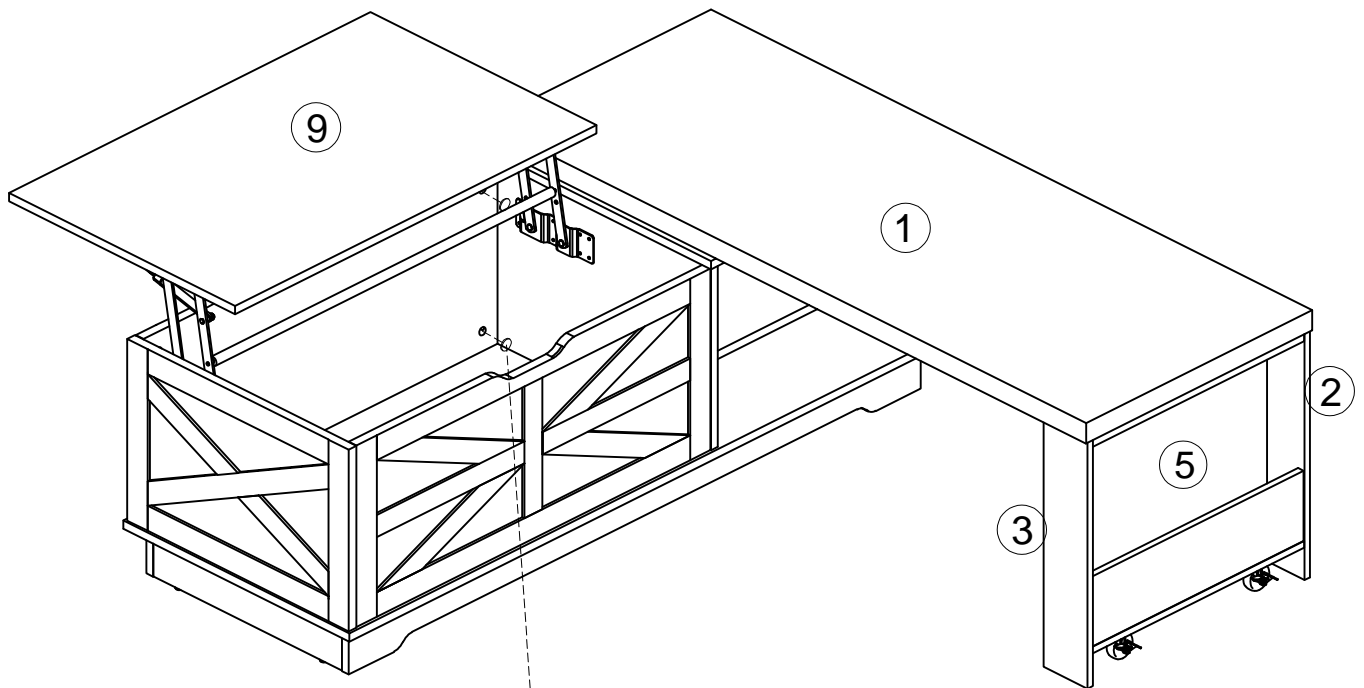
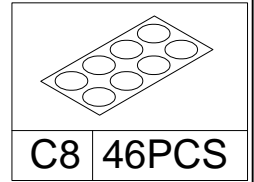


Pay attention to the position of the internal through-hole. It should be located towards the outer side.



Assemble

Step 31

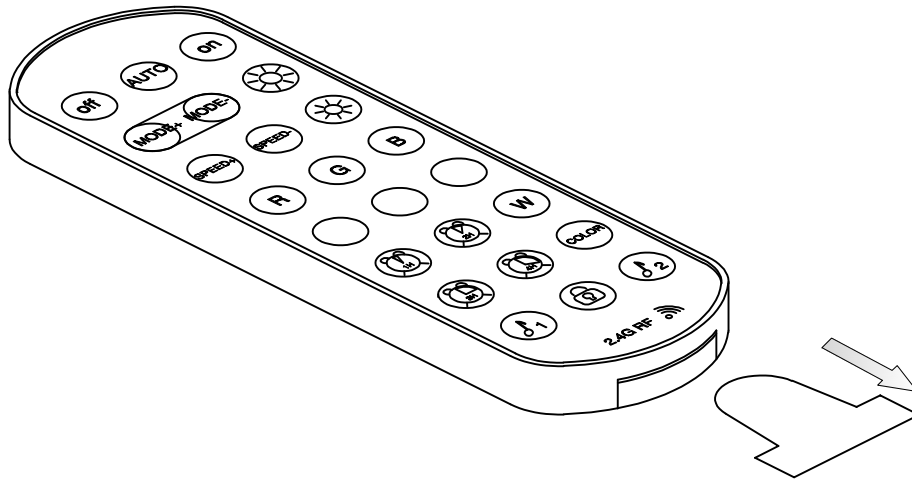


Cover the visible
hole with a cap

Assemble

Step 32

Please pull out the insulating sheet below before using the remote control



Battery replacement operation

Note: If the battery in the remote control needs to be replaced, please purchase model: CR2025V

