

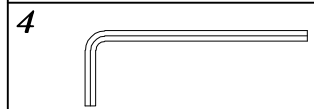
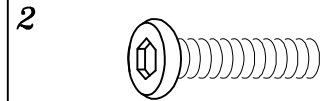
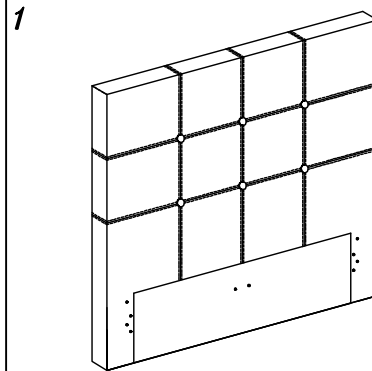
## Part List For Headboard

### PARTS IN HEADBOARD BOX:

(1) HEADBOARD PANEL-1

#### PART HARDWARE FOR HEADBOARD

- (2) 1/4-20 X 1" FLAT ALLEN HEAD SCREW-4
- (3) 1/4" ID X 5/8" OD FLAT METAL METAL WASHER-4
- (4) 4MM ALLEN WRENCH



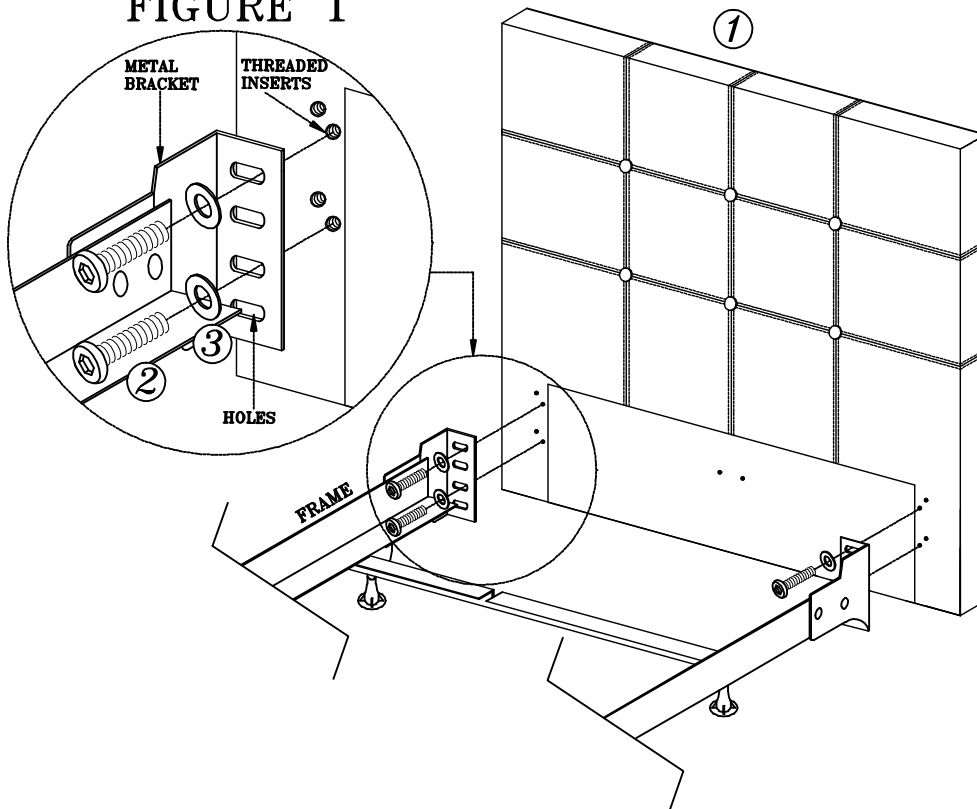
SAVE ALL PACKAGING MATERIALS UNTIL PRODUCT IS FULLY ASSEMBLED. HARDWARE AND SMALL PIECES MAY NOT BE SEEN AND COULD BE ACCIDENTALLY DISCARDED WITH PACKAGING MATERIALS.

## Instruction Sheet

### STEP 1- Headboard Frame Assembly.

- Place headboard panel (1) on desire location on room.
- Insert metal washer (3) over screw (2) and through holes on metal frame bracket and into threaded inserts on headboard panel (1). Use Allen wrench (4) to tighten screws.

FIGURE 1



FOR ASSISTANCE IN ASSEMBLY ONLY OF THIS PRODUCT. CALL OUR HELP DESK . PLEASE HAVE THE STYLE NUMBER AVAILABLE BEFORE YOU CALL. (STYLE # OR NAME CAN BE FOUND ON PACKING CARTON OR SALES RECEIPT.) OUR PRODUCT IS INSPECTED TO ENSURE IT IS IN GOOD CONDITION. IF YOUR FURNITURE APPEARS TO HAVE BEEN DAMAGED IN SHIPMENT OR YOU ARE IN NEED OF REPLACEMENT PARTS PLEASE CONTACT THE DEALER FROM WHOM YOU PURCHASED THE PRODUCT.