



### IMPORTANT SAFEGUARDS

WHEN USING ELECTRICAL EQUIPMENT, BASIC SAFETY PRECAUTIONS SHOULD ALWAYS BE FOLLOWED, INCLUDING THE FOLLOWING:

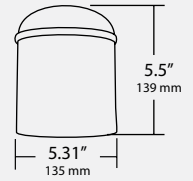
**WARNING:**

1. Risk of electrical shock. Installation of this retrofit kit will require a person familiar with the construction and operation of the luminaire's electrical system and the hazard involved. If not qualified, do not attempt installation. Contact a qualified electrician.
2. Install this kit only in luminaires that have the construction features and dimensions shown in the photographs and/or drawings.
3. Do not expose wiring to the edges of sheet metal or other sharp objects to prevent wiring damage or abrasion.
4. No user-serviceable parts are inside. To avoid electrical shock, do not disassemble the product.
5. This product is not intended for use in emergency light fixtures or exit signs.
6. Do not make or alter any open holes in an enclosure of wiring or electrical components during kit installation.
7. Do not use this equipment for anything other than its intended use.
8. Disconnect power before installing the product or servicing it.
9. Wait until the fixture has cooled down before installing or servicing it.

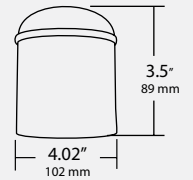
**CAUTION:**

1. Turn the power off before inspection, installation, or removal.
2. Suitable for wet locations.
3. Use only on 120Vac, 60Hz circuits.

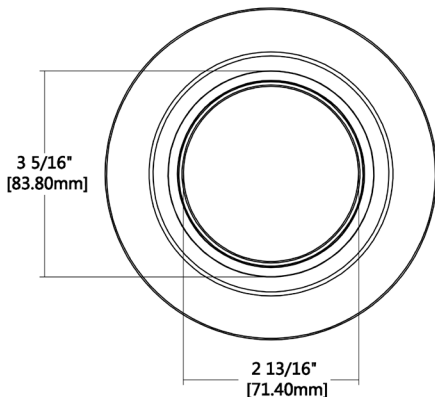
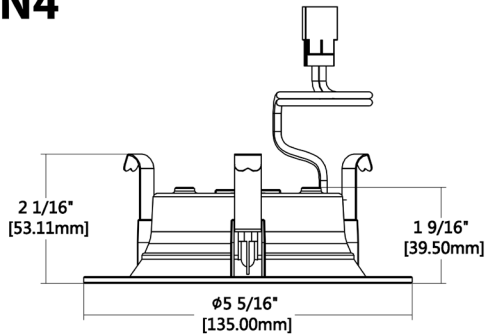
5/6" Minimum  
Compartment Dimensions



4" Minimum  
Compartment Dimensions



### RDN4



### RDN56

