

ASSEMBLY & INSTALLATION INSTRUCTION FOR #120/121

Please read carefully and save these instructions, as you may need them at a later date.

CAUTION

Turn off the main power at the circuit breaker before installing the fixture, in order to prevent possible shock.

GENERAL

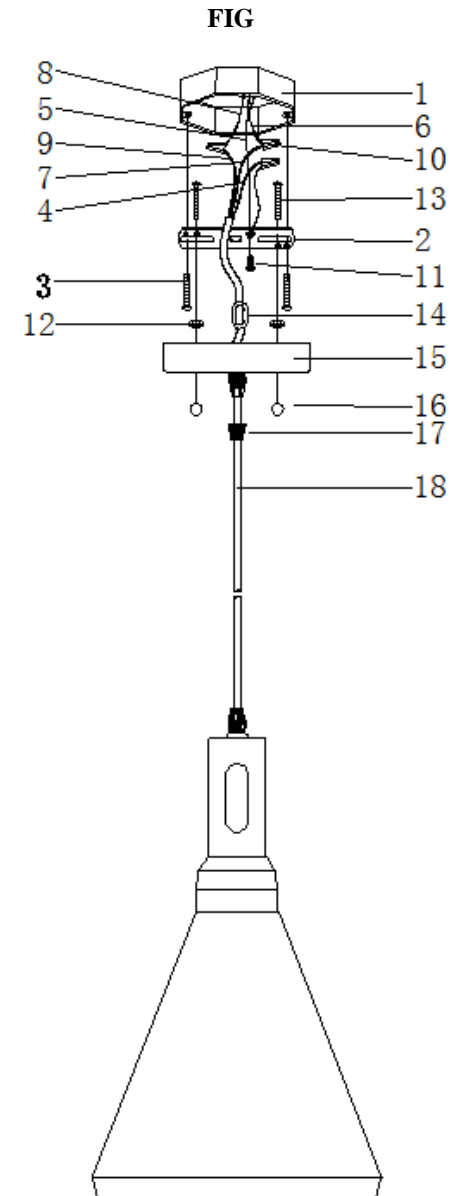
All electrical connections must be in accordance with local and National Electrical Code (N.E.C.) standards. If you are unfamiliar with proper electrical wiring connections obtain the services of a qualified electrician.

Remove the fixture and the mounting package from the box and make sure that no parts are missing by referencing the illustrations on the installation instructions.

ASSEMBLY AND INSTALLATION

1. Unscrew FEMALE CONNECTOR(17) and adjust the CORD(18) to your desired length(if wire cut needed, please ensure exposed wire is about 1/2").
2. After the adjustment of the length of the cord, please slide the "8" WIRE CLAMP(14) near to the COVER PLATE, then screw the FEMALE CONNECTOR(17) till tight.
2. Screw the FIXTURE MOUNTING SCREWS (13) into the BACK PLATE (2) and thread the HEX NUTS (12) onto the FIXTURE MOUNTING SCREWS (13), as shown. Secure the position of the FIXTURE MOUNTING SCREWS (13) by tightening the HEX NUTS (14) against the BACK PLATE (2).
3. Secure the BACK PLATE (2) to the OUTLET BOX (1) with MOUNTING SCREWS (3).
4. Attach the BLACK SUPPLY WIRE (8) to the BLACK FIXTURE LEAD WIRE (9) by using the WIRE CONNECTOR (10). At the same manner, attach the WHITE SUPPLY WIRE (6) to the WHITE FIXTURE LEAD WIRE (7). Loop the SUPPLY GROUND WIRE (5) around the GROUND SCREW (11) of the BACK PLATE (2). (Note: Be sure to provide an extra 3" length of the SUPPLY GROUND WIRE (5) for connection to the FIXTURE GROUND WIRE (4).) Tighten the GROUND SCREW (11). Connect the remaining SUPPLY GROUND WIRE (5) to the GREEN FIXTURE GROUND WIRE (4) using a WIRE CONNECTOR (10). Place wiring and connections inside the OUTLET BOX (1).
5. Place the COVER PLATE (15) onto the FIXTURE MOUNTING SCREWS (13), and secure it into place using the DECORATIVE NUTS(16) provided.
6. Screw light bulb into the socket and make sure it does not exceed the maximum wattage specified on the fixture's wattage rating label.

INSTALLATION IS NOW COMPLETED



- | | | |
|----------------------------|----------------------------|----------------------|
| 1. OUTLET BOX | 9. BLACK FIXTURE LEAD WIRE | 17. FEMALE CONNECTOR |
| 2. BACK PLATE | 10. WIRE CONNECTOR | 18. CORD |
| 3. MOUNTING SCREW | 11. GROUND SCREW | |
| 4. FIXTURE GROUND WIRE | 12. HEX NUTS | |
| 5. SUPPLY GROUND WIRE | 13. FIXTURE MOUNTING SCREW | |
| 6. WHITE SUPPLY WIRE | 14. "8" WIRE CLAMP | |
| 7. WHITE FIXTURE LEAD WIRE | 15. COVER PLATE | |
| 8. BLACK SUPPLY WIRE | 16. DECORATIVE NUT | |