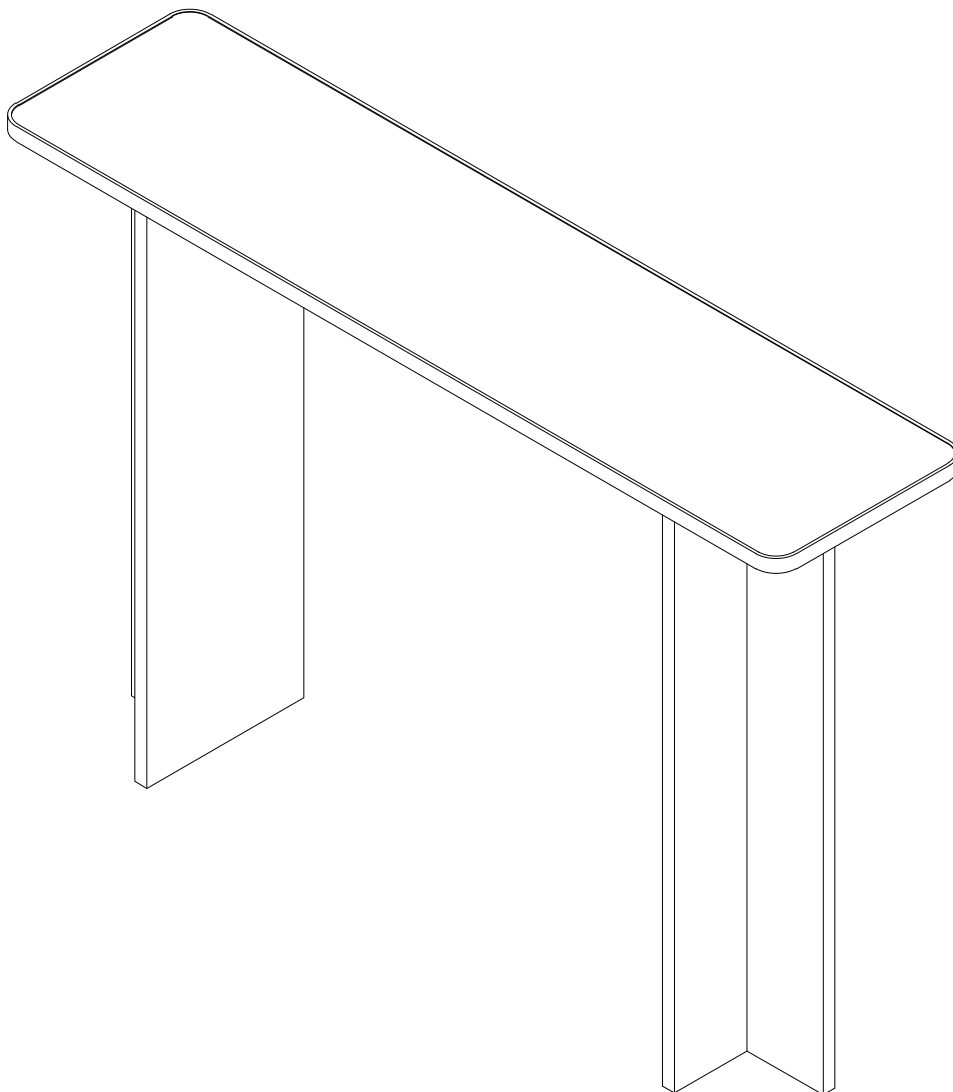
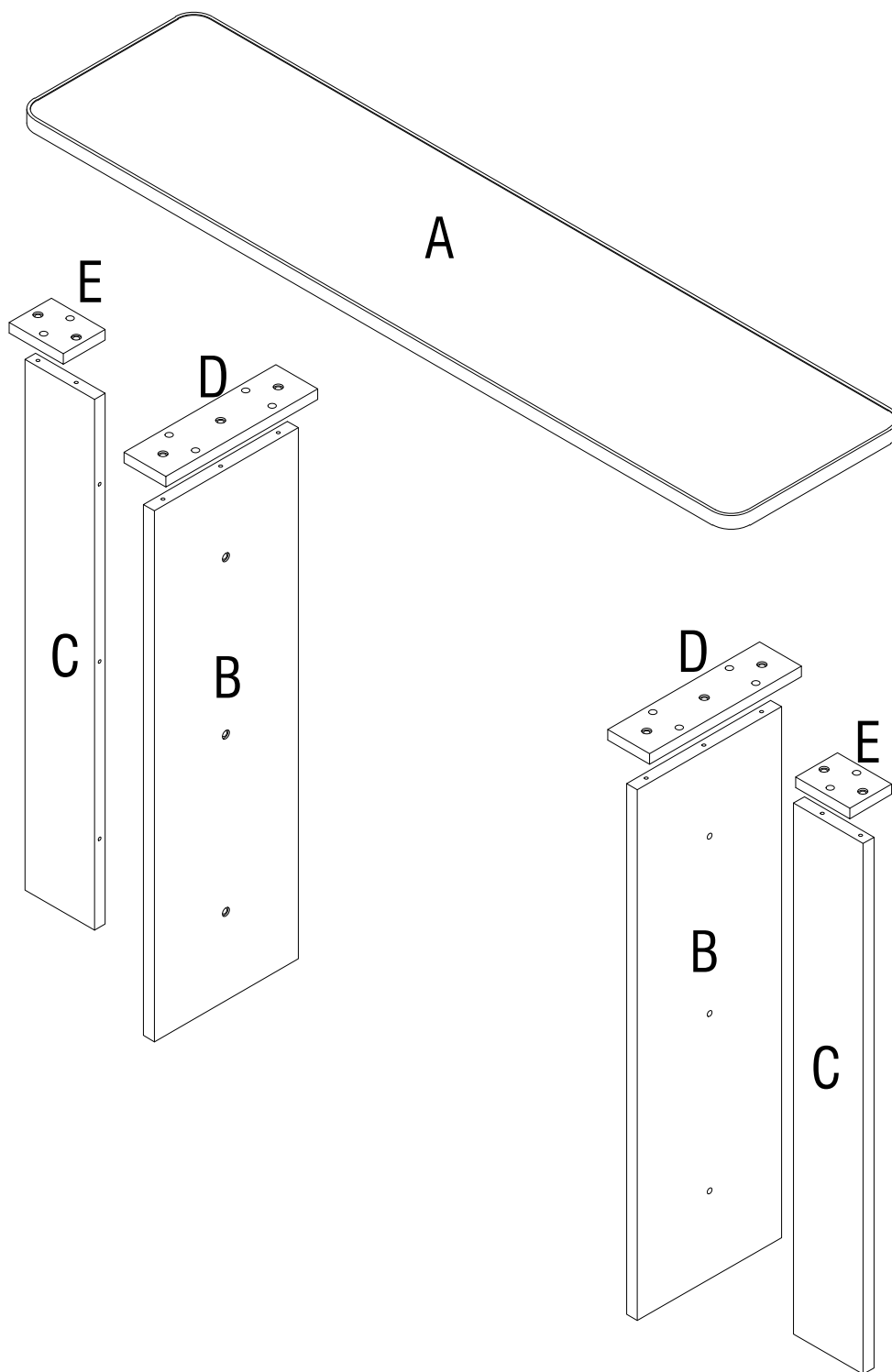


INSTALLATION INSTRUCTIONS

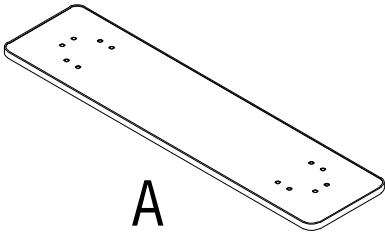
Thank you for purchasing our console table.
Please carefully read this installation method before using it.
Please keep this manual for future reference.
If you encounter any issues with the product upon receipt,
please feel free to contact us. We are always here to
resolve any concerns you may have.



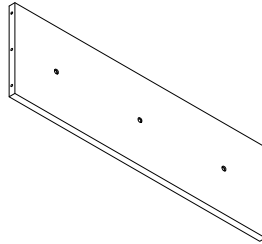
Exploded Drawing



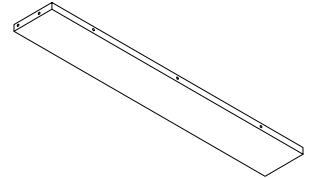
Product Parts



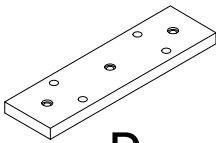
A
1 PC



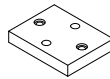
B
2 PCS



C
2 PCS



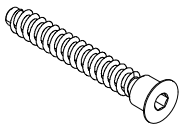
D
2 PCS



E
2 PCS

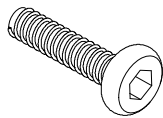
Hardware

M7*40



1
16PCS

1/4"*25



2
12PCS

Ø6



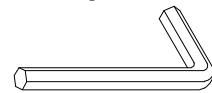
3
12PCS

Ø6

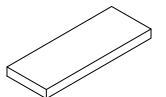


4
12PCS

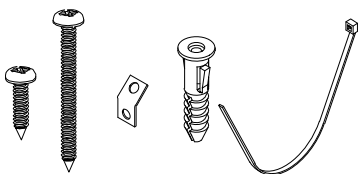
4



5
1PC

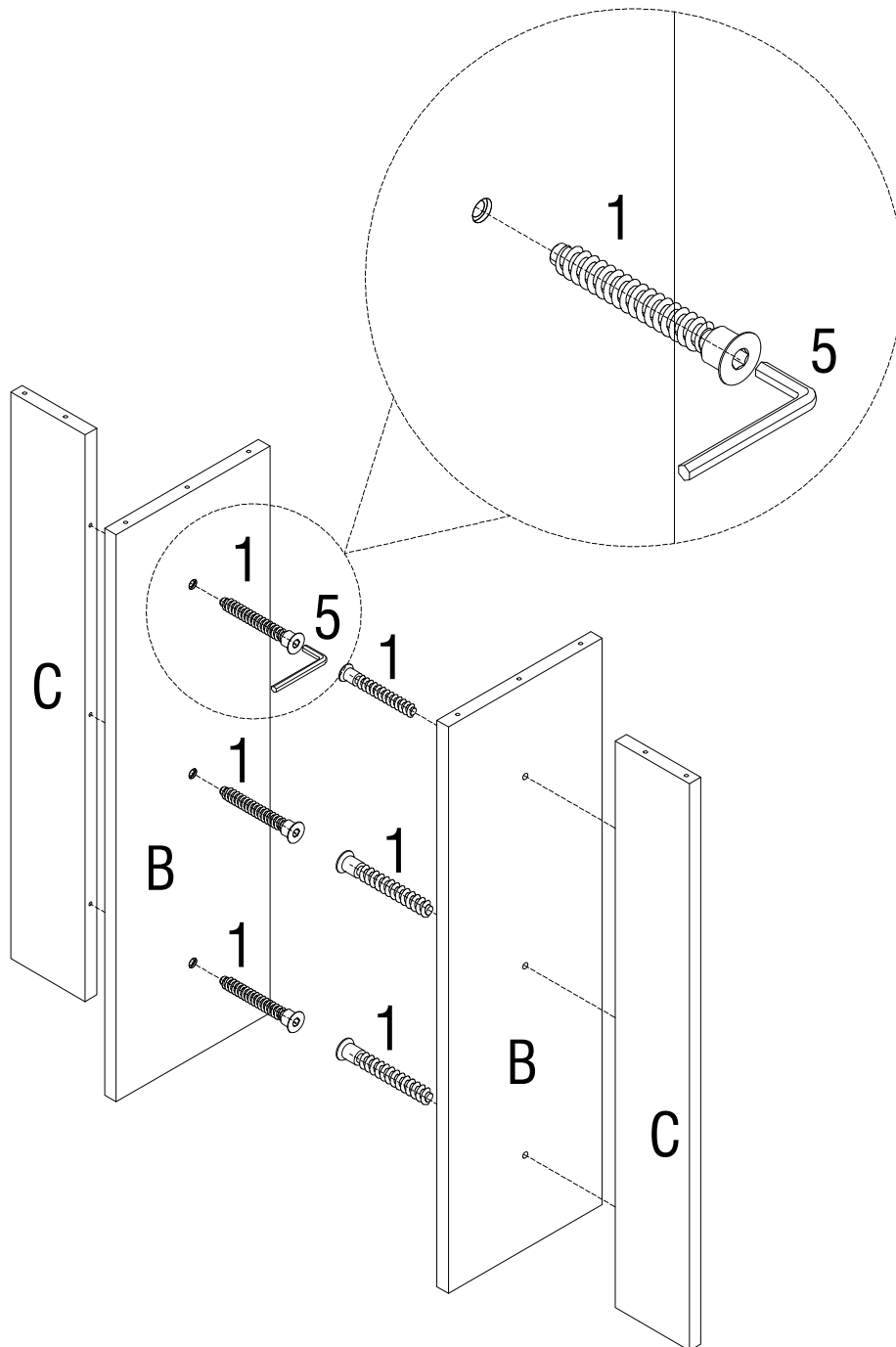


6
4PCS



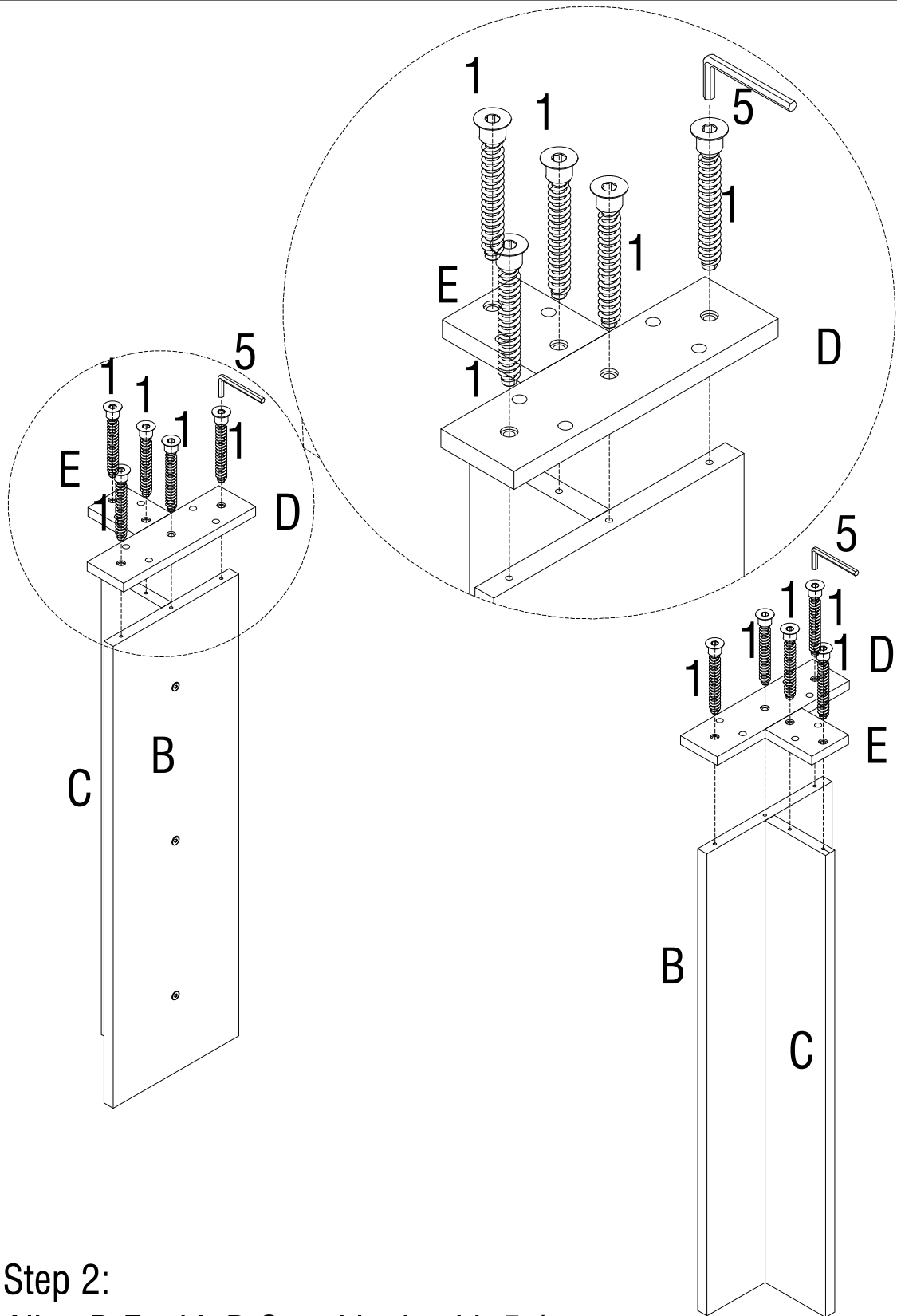
7
2PCS

STEP 1



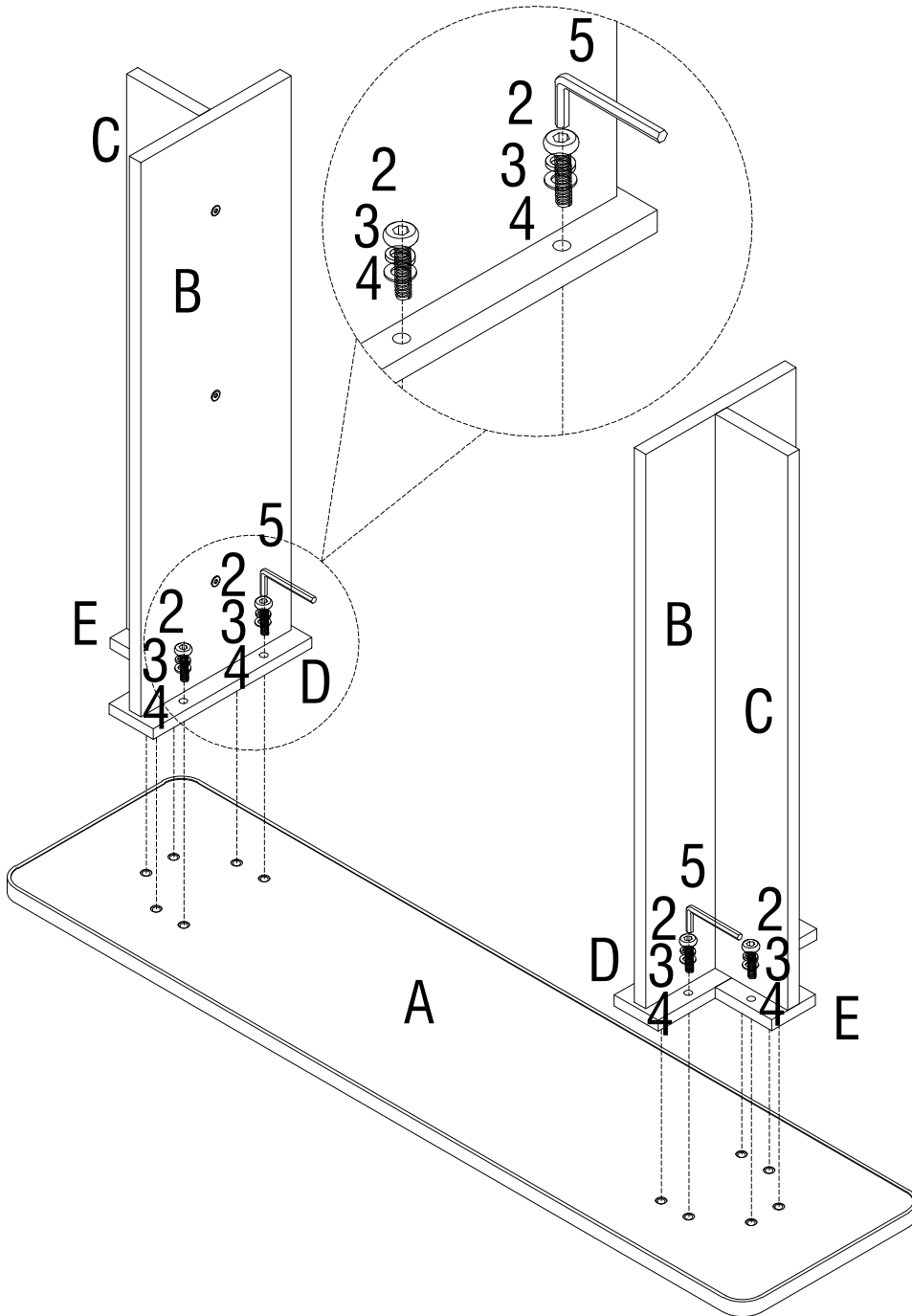
Step 1:
Align and lock B,C with 5,1.

STEP 2



Step 2:
Align D,E with B,C and lock with 5,1.

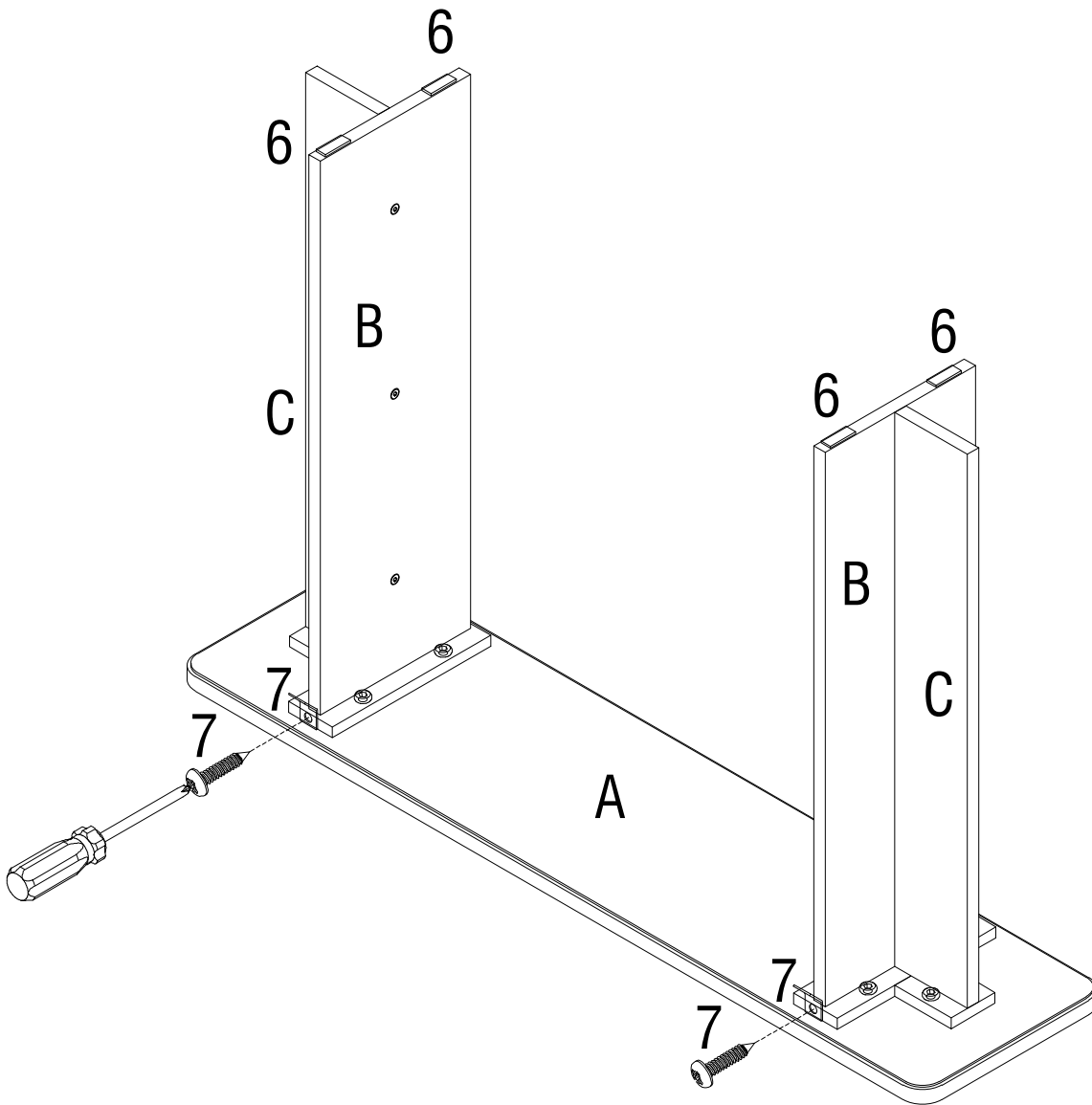
STEP 3



Step 3:

Turn the desktop hole upwards, tighten D,E and A with 5,2,3,4.

STEP 4



Step 4:

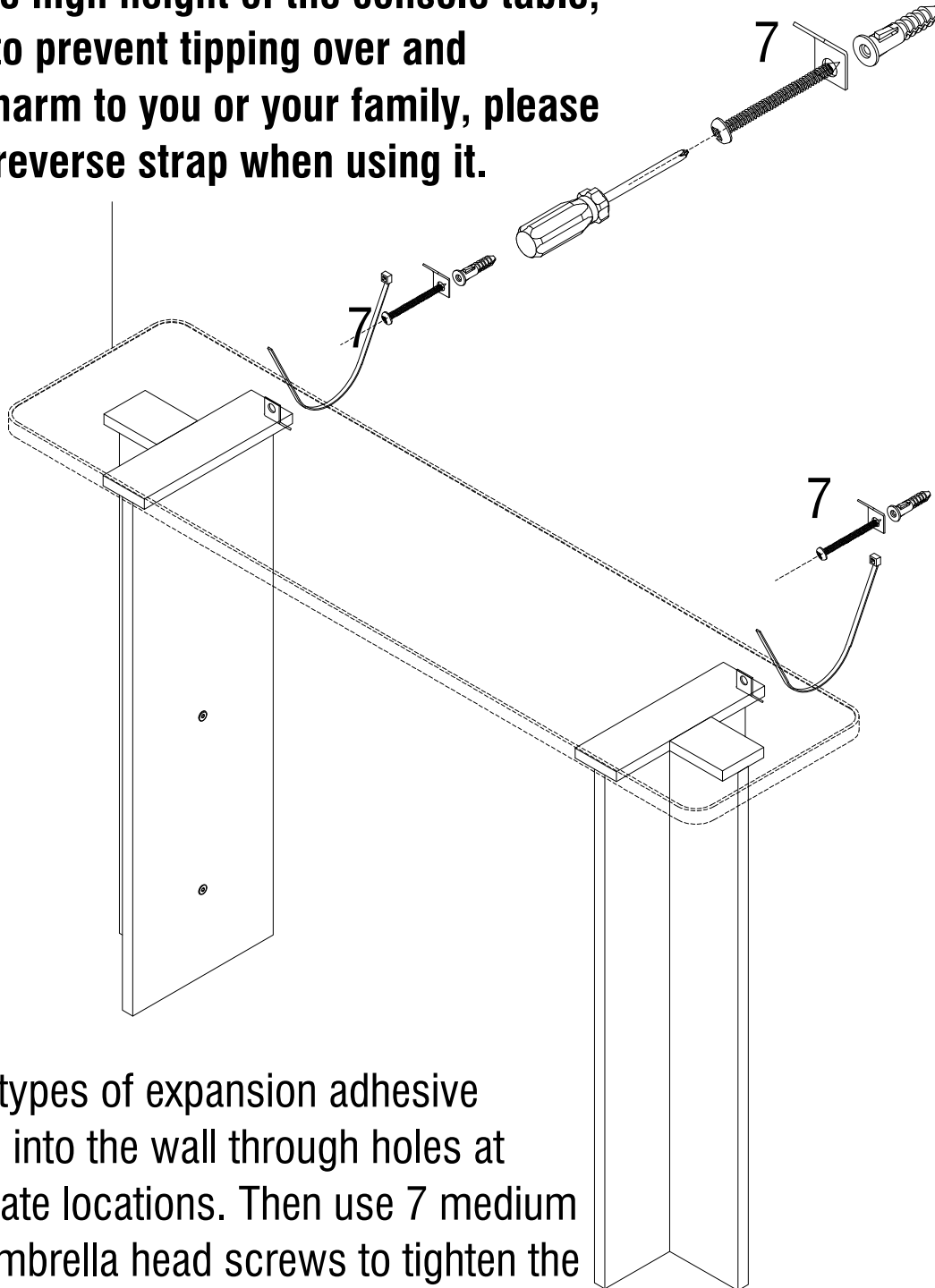
Stick 6 onto surface B,C as shown in the diagram.

Lock the 7 umbrella head screws onto the connecting iron plate according to the diagram.

STEP 5

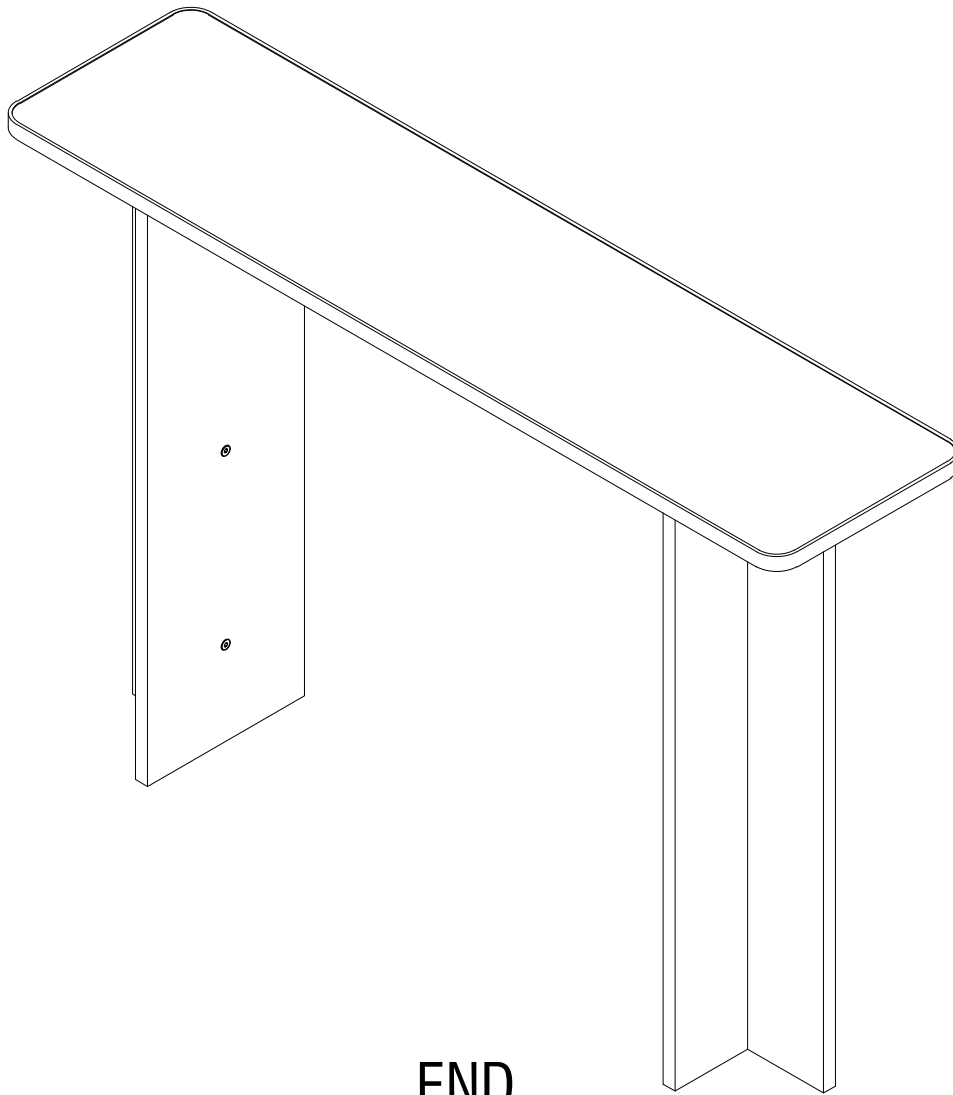
Kindly Reminder:

Due to the high height of the console table, in order to prevent tipping over and causing harm to you or your family, please install a reverse strap when using it.



Step 5:

Insert 7 types of expansion adhesive particles into the wall through holes at appropriate locations. Then use 7 medium length umbrella head screws to tighten the connecting iron plates in 7 according to the diagram. Use 7 plastic fixing straps to thread through the two connecting iron pieces and tighten them tightly.



END

Precautions for daily use:

1. After installing the console table and during daily use, due to the brittle nature of material, please do not directly push or pull the console table to avoid damaging. Please lift and move the console table to the destination.
2. Please pay attention to scratches and do not place or use sharp objects to scratch the tabletop.
3. Please do not use any acid-base reagents or alcohol to wipe or clean the tabletop and legs. Please wipe with a soft cloth and water.