

## NOTICE

- \*Please make sure that you have all parts indicated and they are in good condition before you begin assembly of this item. Refer to parts list and hardware list below for guidance.
- \*This item should be assembled on a soft surface to prevent scratching the finished goods during assembly.
- \*This item may require periodic tightening.
- \*If you are having difficulty, our friendly Customer Care team is always here to help. Please email [customersupport@safavieh.com](mailto:customersupport@safavieh.com)

## PREPARATION

- \*Before beginning assembly of product, make sure all parts are present. Compare parts with part contents list and hardware contents list.
- \*If an part is missing or damaged, do not attempt to assemble the product.
- \*Estimated Assembly Time: 25 minutes.
- \*Tools Required for Assembly: Allen Key (included) and Philips head screwdriver (not included).

## CARE AND MAINTENANCE

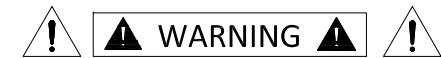
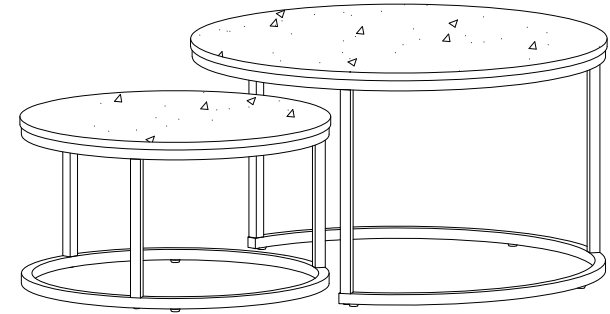
### WOOD CARE

Adhesive felt pads should always be applied to areas of furniture which make direct contact with flooring, said application will prevent damage to the furniture and or surfaces on which the furniture lies. Objects placed on articles of furniture should rest on non abrasive material as to prevent damage to the wood finish. Wipe up spills immediately and avoid common hazards such as hot dishes, harsh solvents and abrasives. Cleaning should be done with a soft lint free cotton cloth dampened with water or furniture polish.

### INDOOR METAL/ALUMINUM FURNITURE

Wipe spills immediately. Maintain with regular dusting and clean with mild soap and water, dry thoroughly and do not use a brass cleaner. Adhesive felt pads should always be used/applied in order to prevent damage to the furniture or surfaces on which the furniture is placed.

Product Dimensions: 31.5"W x 31.5"D x 18"H  
23.5"W x 23.5"D x 13"H



**Weight capacity : 25 lbs on the top of the product**  
WARNING : DO NOT STAND ON THE PRODUCT  
WARNING : DO NOT OVER TORQUE BOLTS

## Part List and Hardware List

PIECE	DESCRIPTION	PICTURE	QUANTITY	PIECE	DESCRIPTION	PICTURE	QUANTITY
A	Top Panel-1 (large table)		1x	HW1	Hex Socket Bolt		6x
B	Top Frame-1 (large table)		1x	HW2	Hex Socket Bolt		6x
C	Leg-1 (large table)		3x	HW3	Wood Screw		8x
D	Bottom Frame-1 (large table)		1x	HW4	Allen Key		1x
E	Top Panel-2 (small table)		1x				
F	Top Frame-2 (small table)		1x				
G	Leg-2 (small table)		3x				
H	Bottom Frame-2 (small table)		1x				

## PREPARATION

\*Before beginning assembly of product, make sure all parts are present. Compare parts with part contents list and hardware contents list.

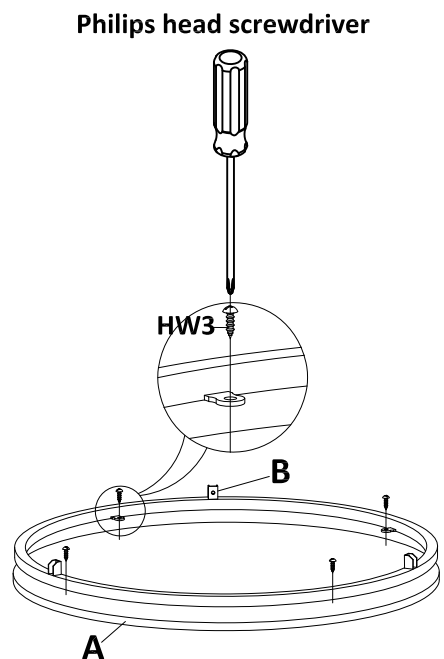
\*If any part is missing or damaged, do not attempt to assemble the product.

\*Estimated Assembly Time: 25 minutes.

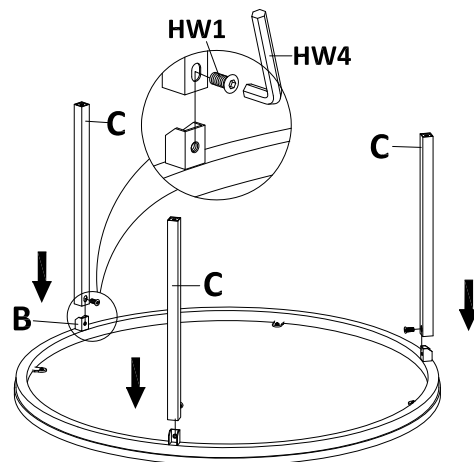
\*Tools Required for Assembly: Allen Key (included) and Philips head screwdriver (not included).

\*If you are having difficulty, our friendly Customer Care team is always here to help. Please email [customersupport@safavieh.com](mailto:customersupport@safavieh.com)

1

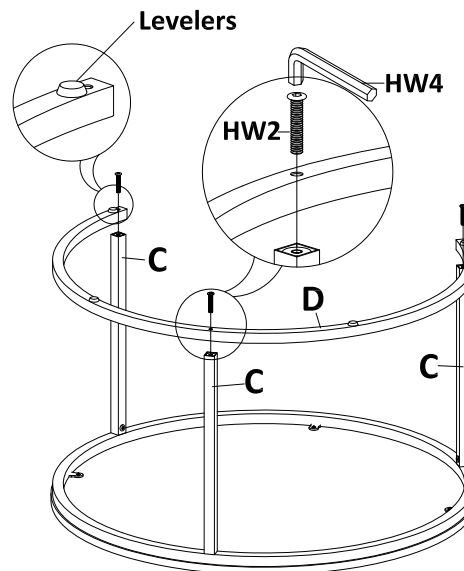


2



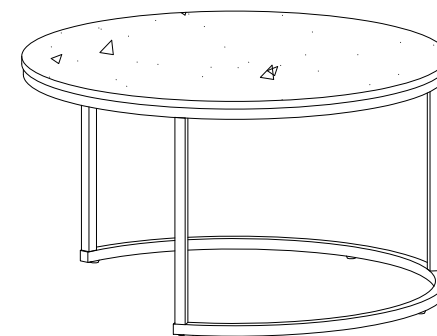
\*Do not fully tighten the bolts until the product is assembled.

3



\*Do not fully tighten the bolts until the product is assembled.

4



\*After properly adjusting the levelers for stability, then fully tighten all bolts.

### For Larger Table Step 1

Attach Top Frame-1 (B) on the bottom of Top Panel-1 (A), and use a Phillips screwdriver (tool is not included) to locking 4\*Wood screws (HW3).

### For Larger Table Step 2

Insert protrusion of Top Frame-1 (B) into 3\*Leg-1 (C), Using Allen Key (HW4) to lock with 3\*Hex Socket Bolts (HW1).

### For Larger Table Step 3

Attach the Bottom Frame-1 (D) to the end of 3\*Leg-1 (C) and align the bolt holes, Using Allen Key (HW4) to lock with 3\*Hex Socket Bolts (HW2).

### For Larger Table Step 4

Straighten up the assembled product, Assembly is completed.

## PREPARATION

\*Before beginning assembly of product, make sure all parts are present. Compare parts with part contents list and hardware contents list.

\*If any part is missing or damaged, do not attempt to assemble the product.

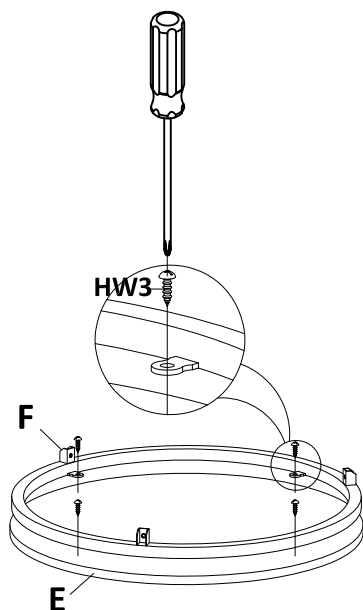
\*Estimated Assembly Time: 25 minutes.

\*Tools Required for Assembly: Allen Key (included) and Philips head screwdriver (not included).

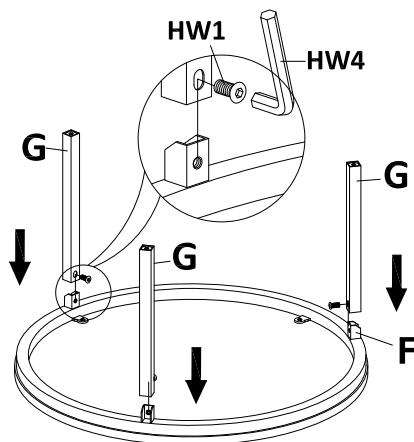
\*If you are having difficulty, our friendly Customer Care team is always here to help. Please email [customersupport@safavieh.com](mailto:customersupport@safavieh.com)

5

Philips head screwdriver

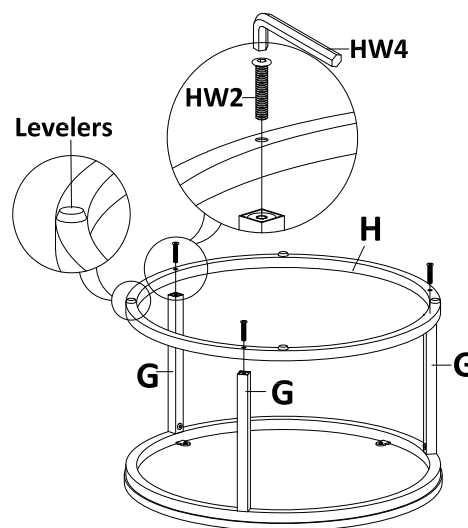


6



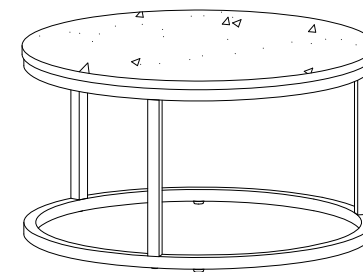
\*Do not fully tighten the bolts until the product is assembled.

7



\*Do not fully tighten the bolts until the product is assembled.

8



\*After properly adjusting the levelers for stability, then fully tighten all bolts.

### For Small Table Step 5

Attach Top Frame-2 (F) on the bottom of Top Panel-2 (E), and use a Phillips screwdriver (tool is not included) to locking 4\*Wood screws (HW3).

### For Small Table Step 6

Insert protrusion of Top Frame-2 (F) into 3\*Leg-2 (G), Using Allen Key (HW4) to lock with 3\*Hex Socket Bolts (HW1).

### For Small Table Step 7

Attach the Bottom Frame-2 (H) to the end of 3\*Leg-2 (G) and align the bolt holes, Using Allen Key (HW4) to lock with 3\*Hex Socket Bolts (HW2).

### For Small Table Step 8

Straighten up the assembled product, Assembly is completed.