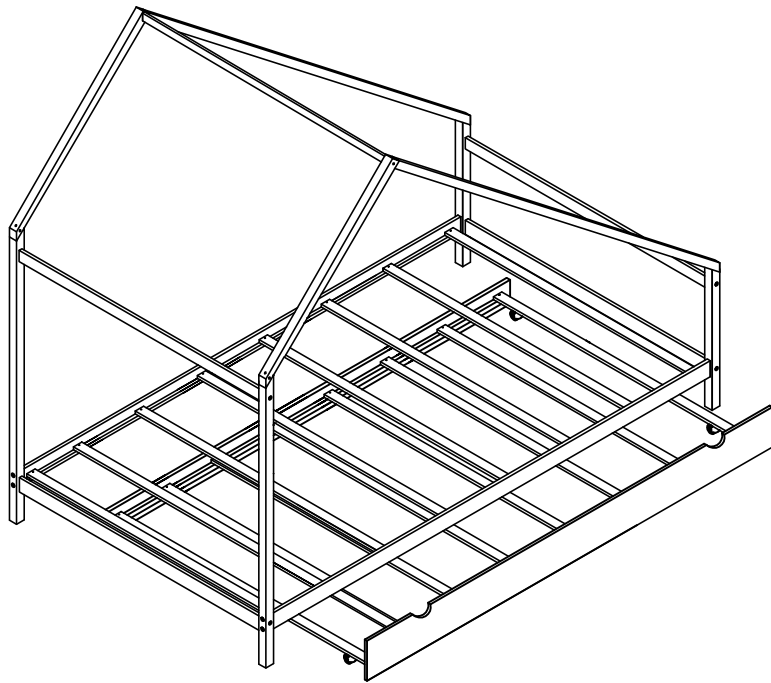


ASSEMBLY INSTRUCTIONS

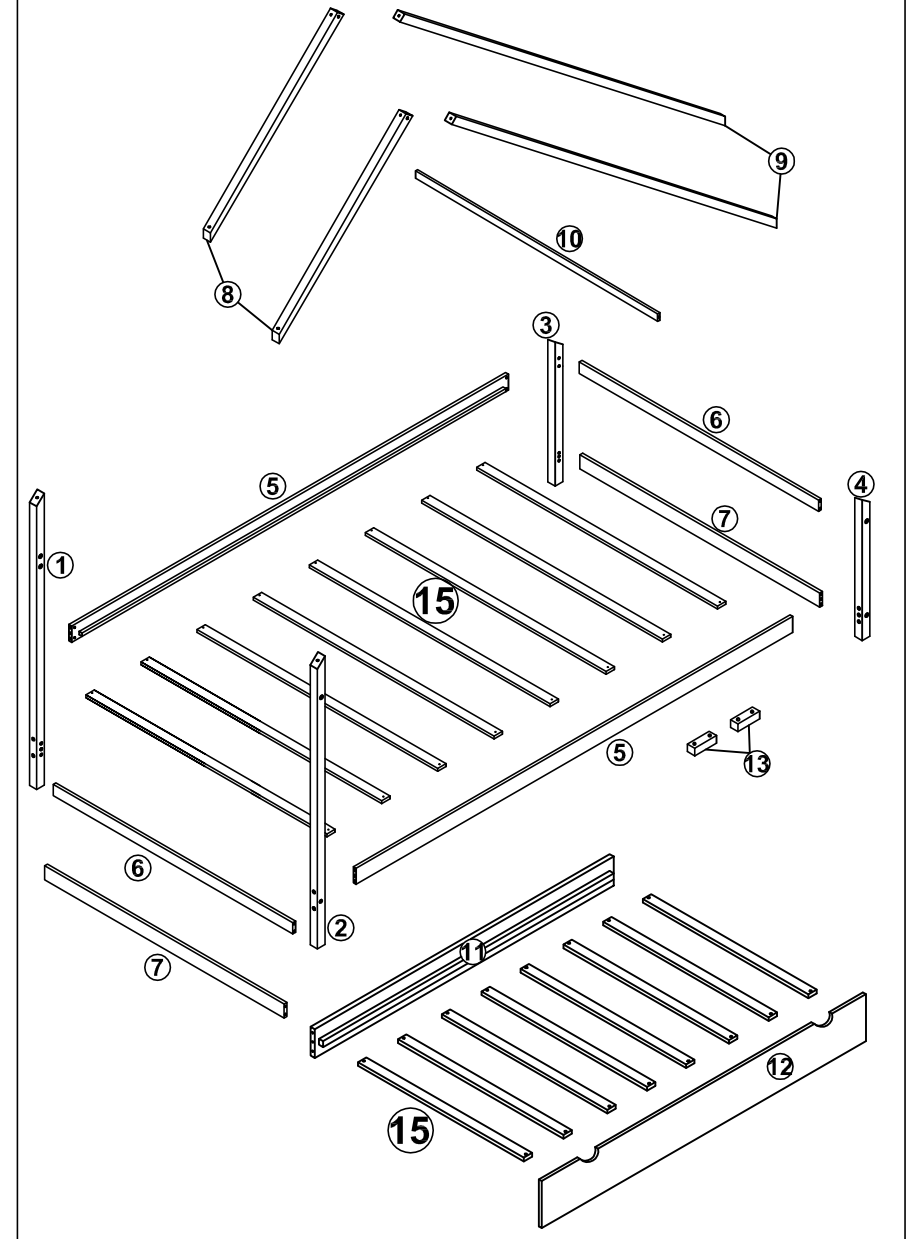
TENT BED TWIN SIZE WITH TRUNDLE



WF287745


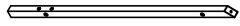
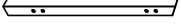
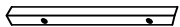
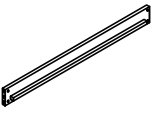
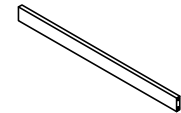
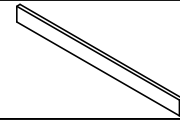

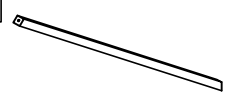



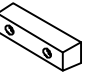

1

Detail View


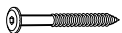





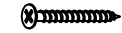


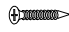



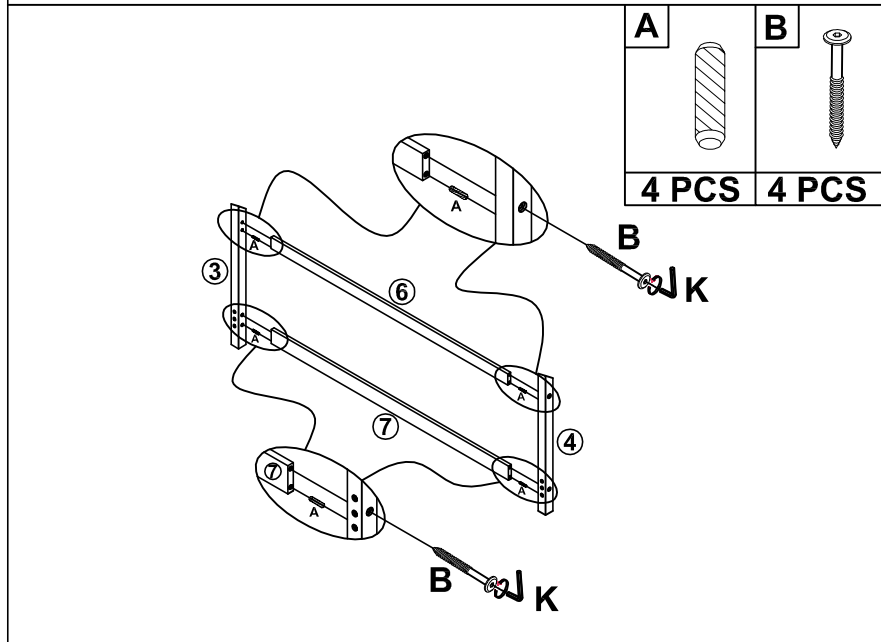
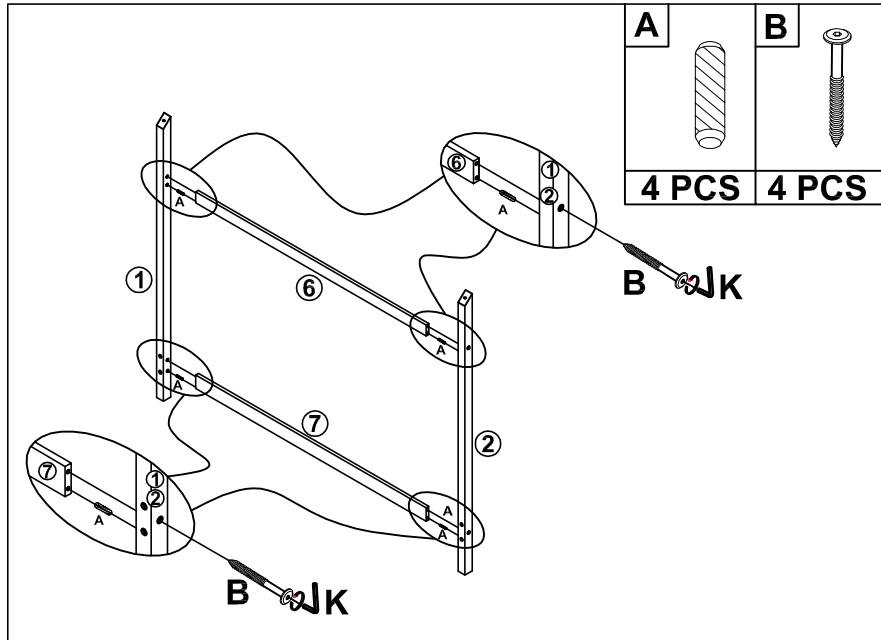
2

PART LISTS - WF287745

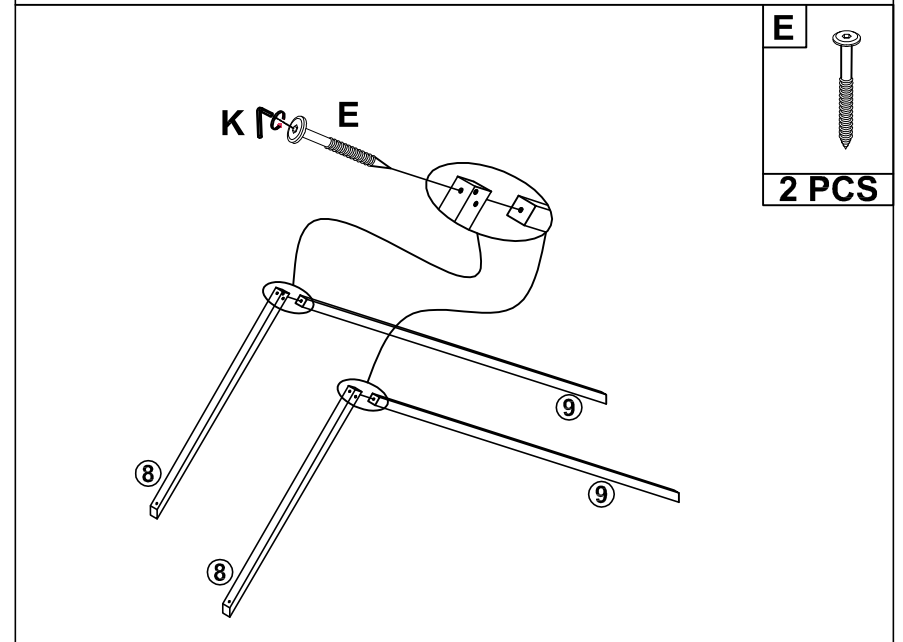
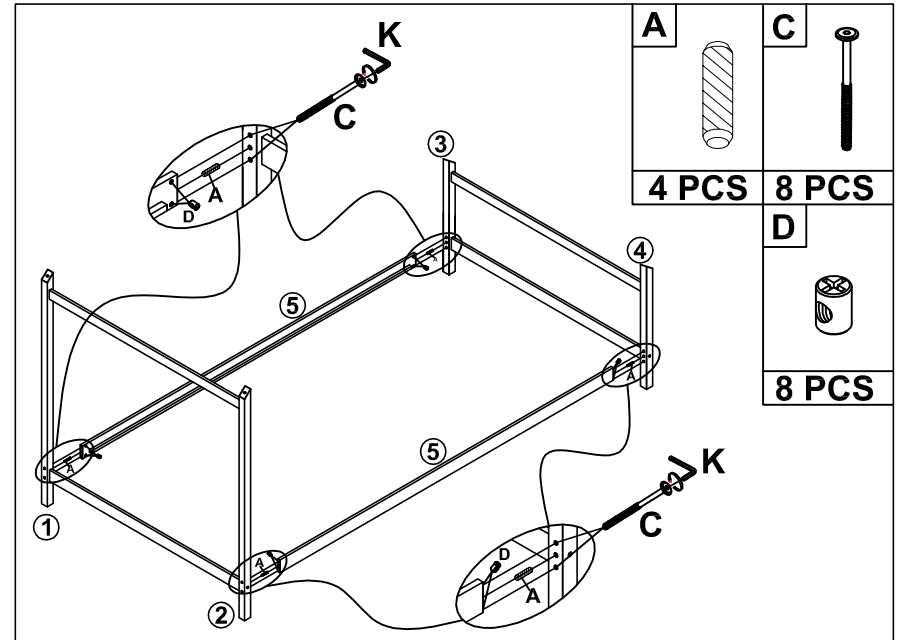
1 	2 	3 
Headboard Leg(Left) - 1pc	Headboard Leg(Right) - 1pc	Footboard leg (Left) - 1pc
4 	5 	6 
Footboard leg (Right) - 1pc	Side rail - 2 pcs	Horizontal bar HB&FB - 2 pcs
7 	8 	9 
Horizontal bar HB&FB - 2 pcs	Cap of beb front left (L/R) - 2 pcs	Cap of beb back left - 2 pcs
10 	11 	12 
Top short horizontal - 1 pc	Drawer back - 1 pc	Drawer front - 1 pc
13 	15 	
Wood block - 2pcs	Slats - 16 pcs	

PART LISTS - WF287745

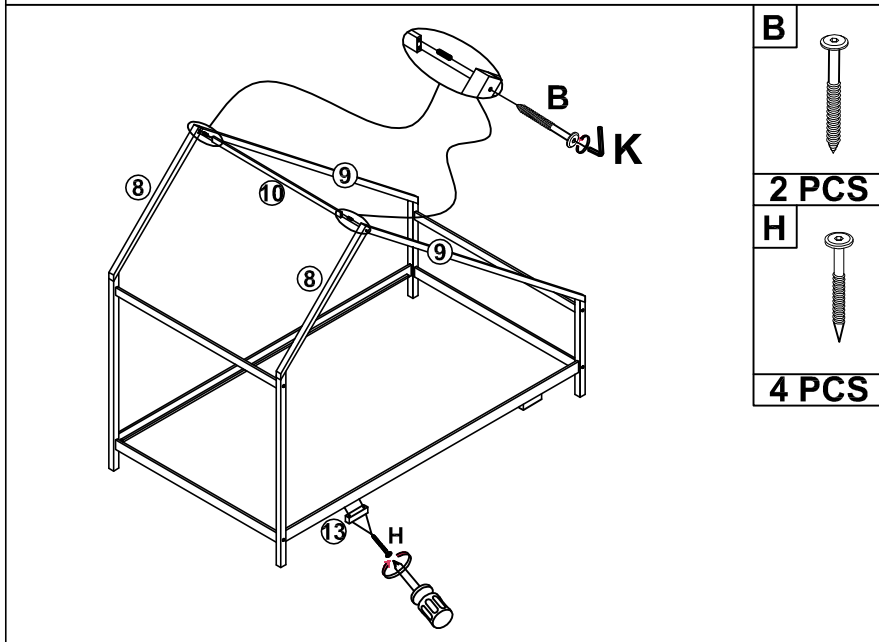
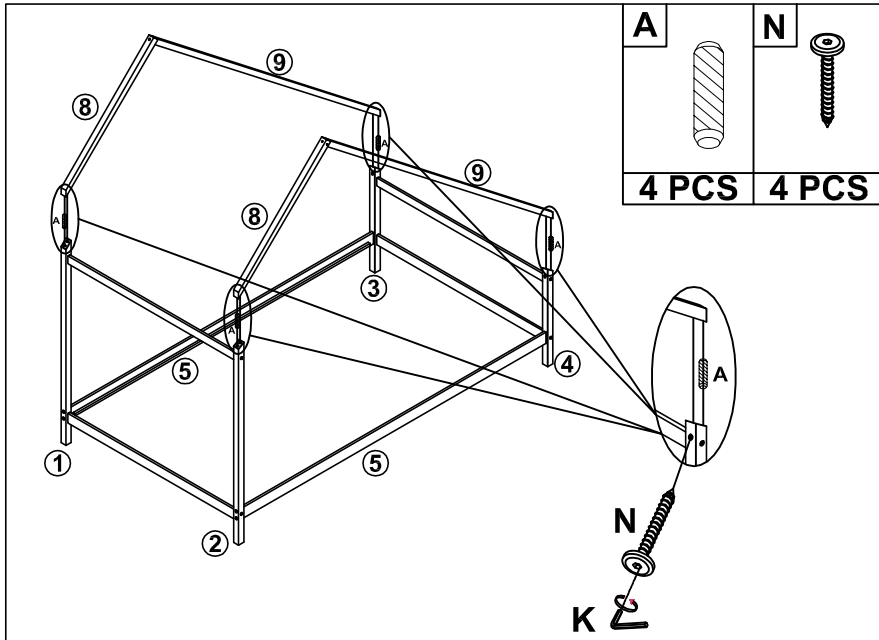
A  Ø10 x 30 mm	B  Ø1/4" x 70 mm	C  (Ø15)1/4" x 100mm
Wood dower - (16pcs)	Wood Screws - (10 pcs)	Hex-Head bolts - (8 pcs)
D  Ø1/4"*15 (9.5mm)	E  Ø1/4" x 85 mm	I  # 4 x 15mm
Horizontal-Hole bolts - (8 pcs)	Wood Screws - (2pcs)	Wood Screws - (12pcs)
G  Ø32mm	H  # 4 x 30mm	M  60 x 20 x 2mm
Wheels - (4pcs)	Wood Screws - (36pcs)	Pass L (3pcs)
K  (1/4")4.5*58mm	L  # 4 x 20mm	N  Ø1/4" x 50 mm
Allen Key - (1pc)	Wood Screws - (8pcs)	Hex - Head bolts (4pcs)



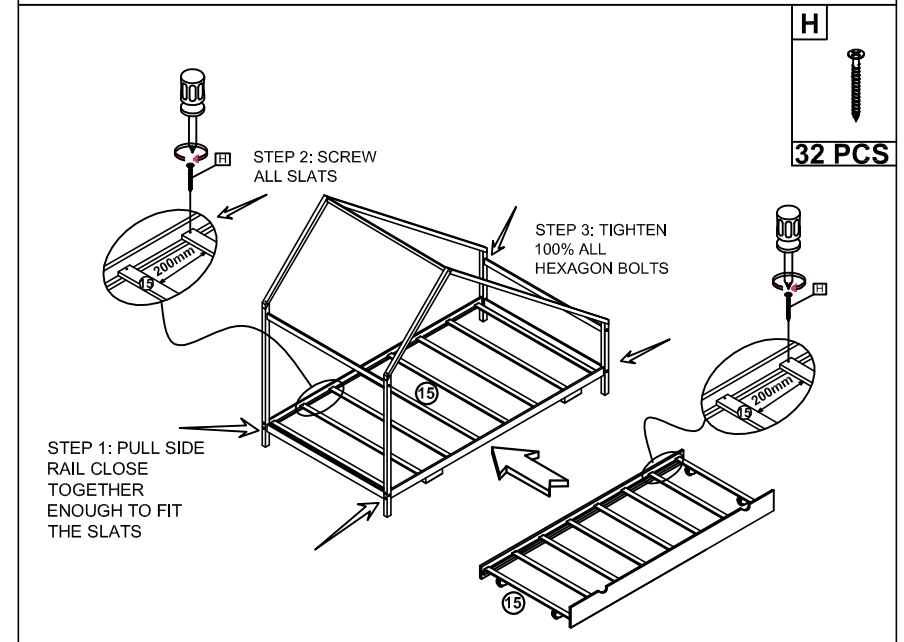
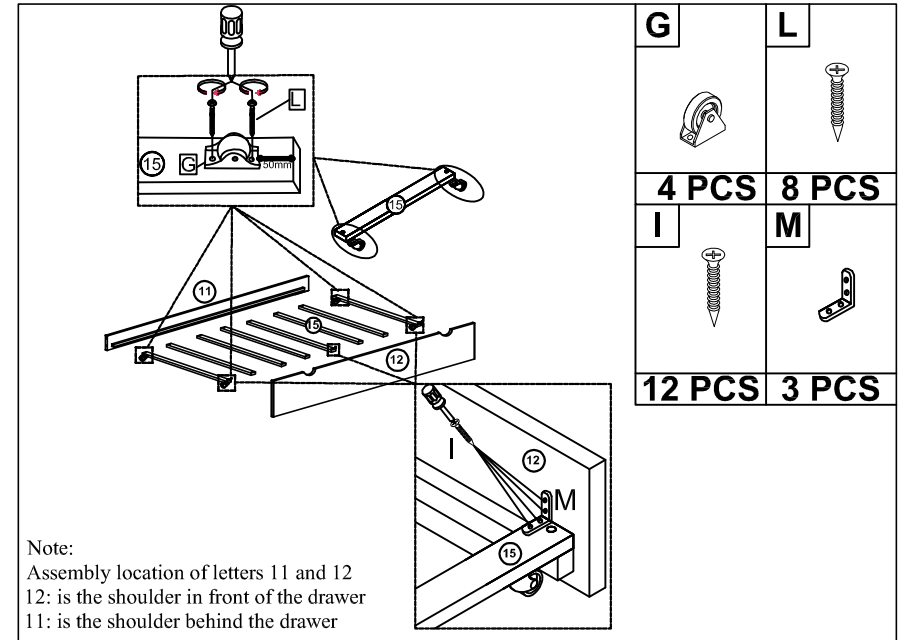
5



6



7



8

COMPLETED

