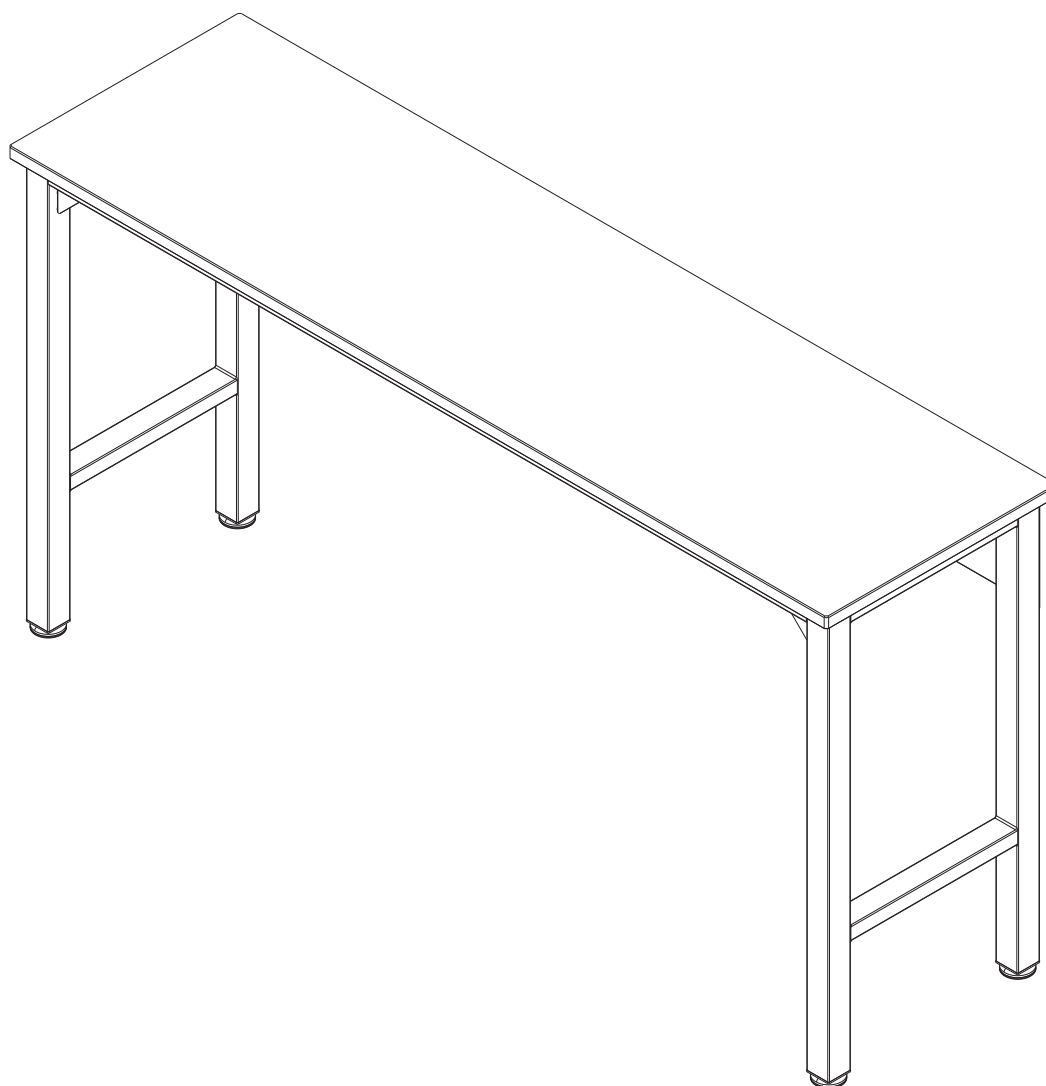




MANHATTAN
COMFORT

ASSEMBLY HANDBOOK – FORTRESS GARAGE TABLE



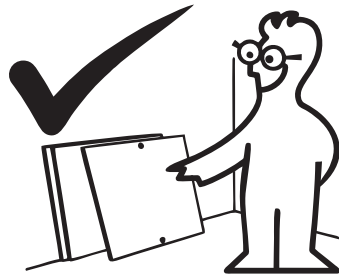
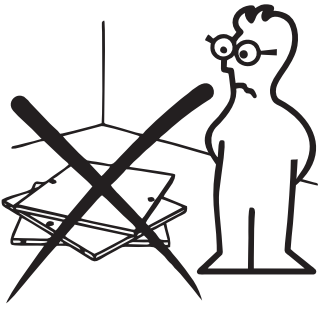
6GMC



Stuck? Questions? We are here to help.
1-888-230-2225
help@manhattancomfort.com

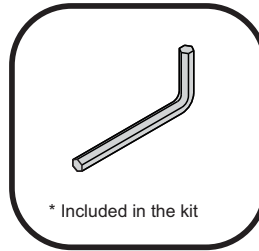
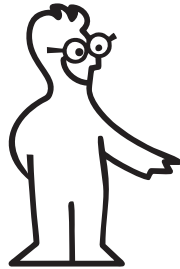


View our assembly video online
www.manhattancomfort.com

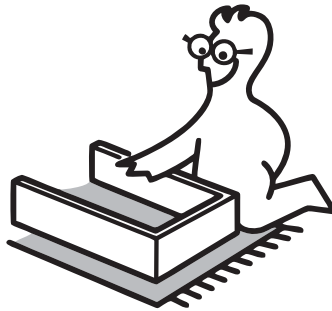
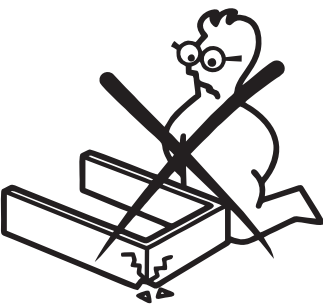


In order to ease the assembly, you should separate and identify the parts first

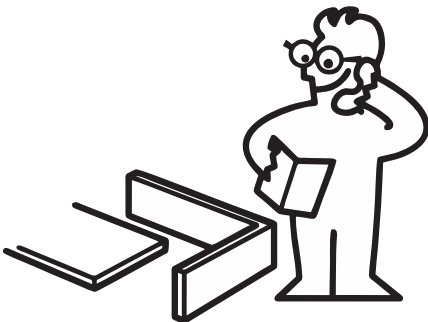
Necessary hardware for the assembly



* Included in the kit



Do not place the parts directly onto the floor. Use a cardboard sheet or a mat to place the parts, during the separation and assembly.



Stuck? Questions? We are here to help.
1-888-230-2225
help@manhattancomfort.com

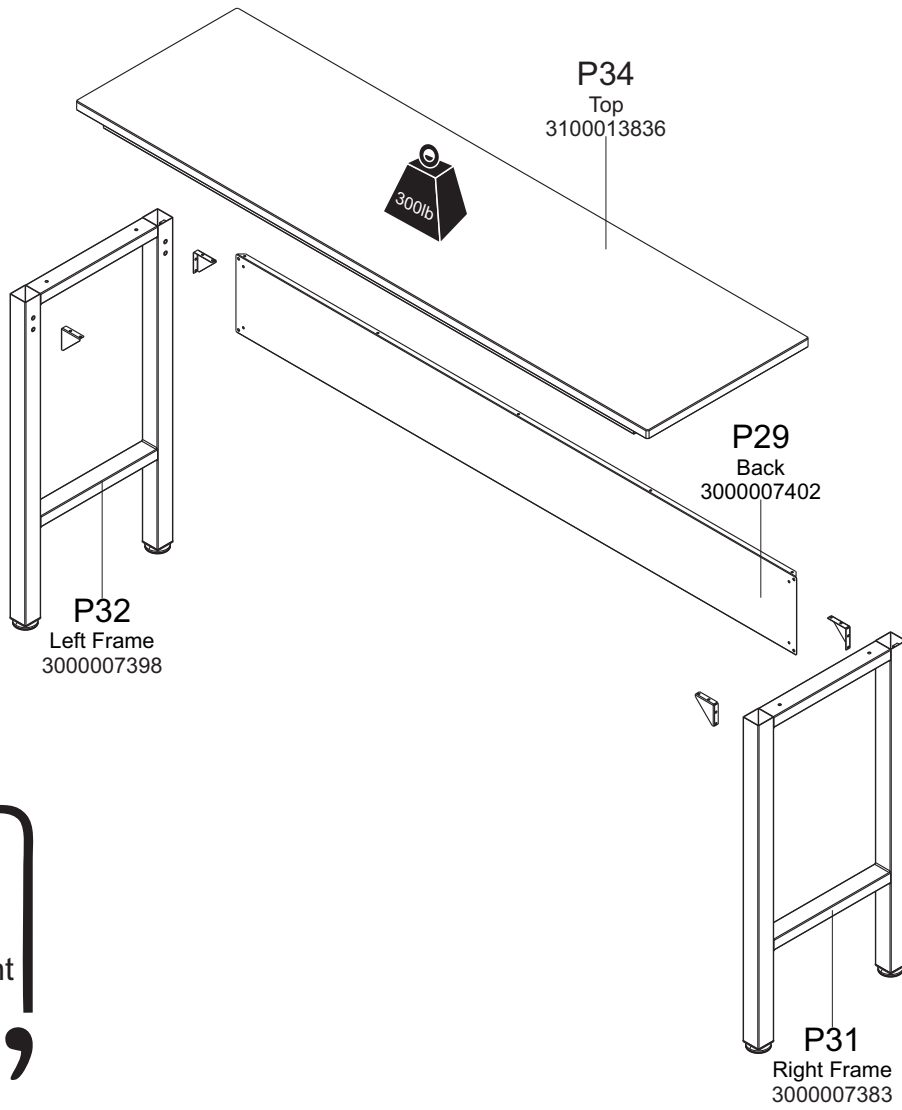


View our assembly video online
www.manhattancomfort.com

IMPORTANT

In order to avoid severe or even fatal injuries, follow the instructions carefully.

ASSEMBLY HANDBOOK – FORTRESS GARAGE TABLE



WARNING

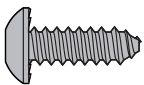
“

 Maximum weight supported by work surface
 ”

Hardware list

F2

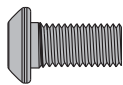
1000009499



Qty. 3

F3

1000008391



Qty. 20

F8

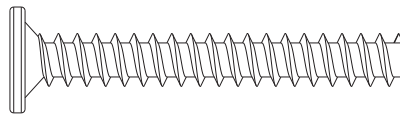
1000008387



Qty. 20

F4

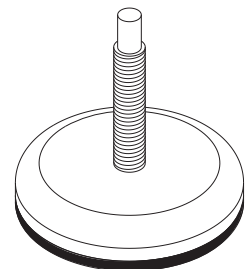
1000008299



Qty. 4

F9

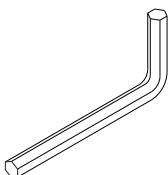
1000008368



Qty. 4

F13

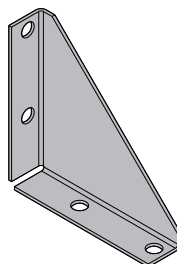
1000009033



Qty. 1

F16

3000007407



Qty. 4

F17

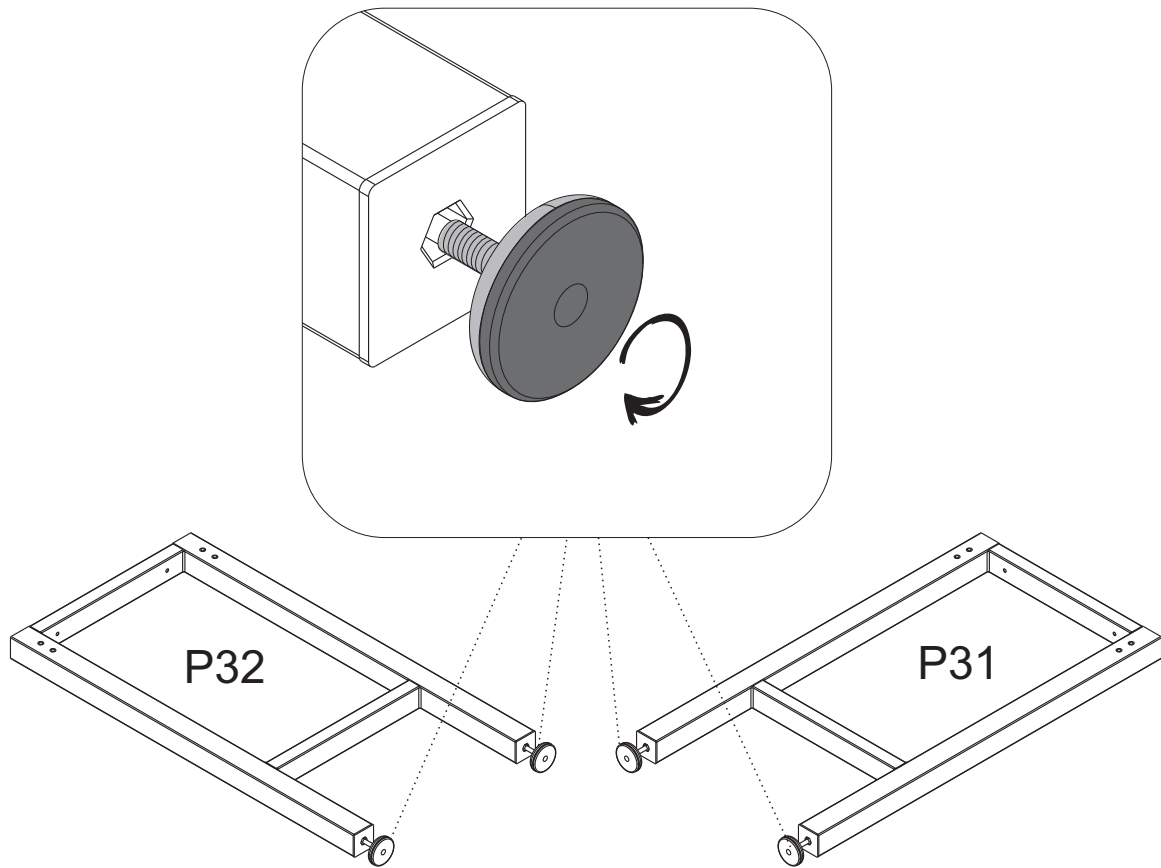
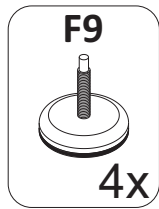
1000008285



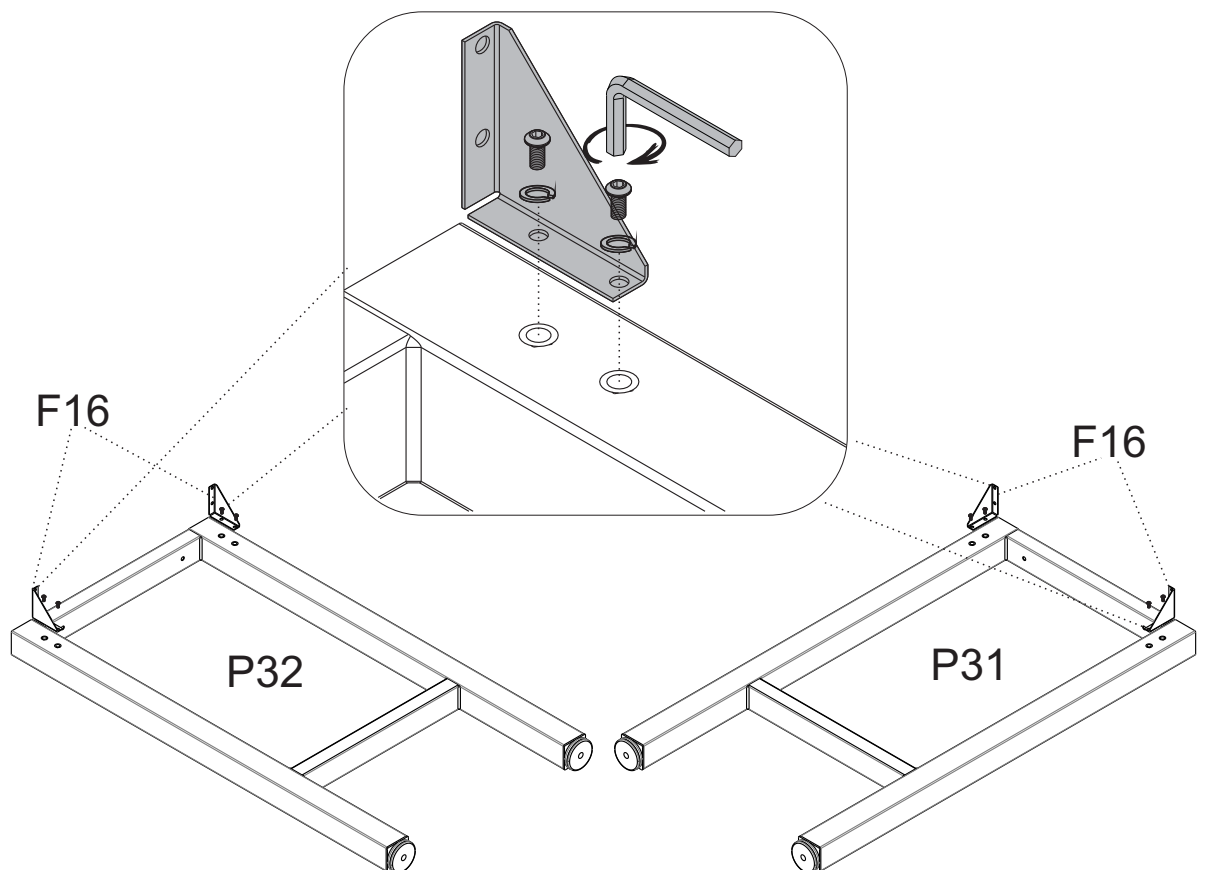
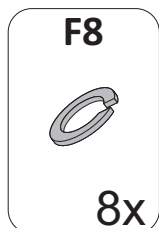
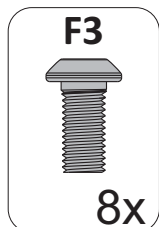
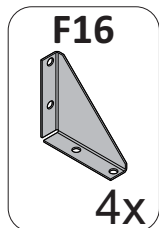
Qty. 1

STEP 1

1. Fit the shoes to frame **P32** and **P31** base and turn to screw. To level the height of the table, turn the shoe clockwise or counterclockwise until is aligned

**STEP 2**

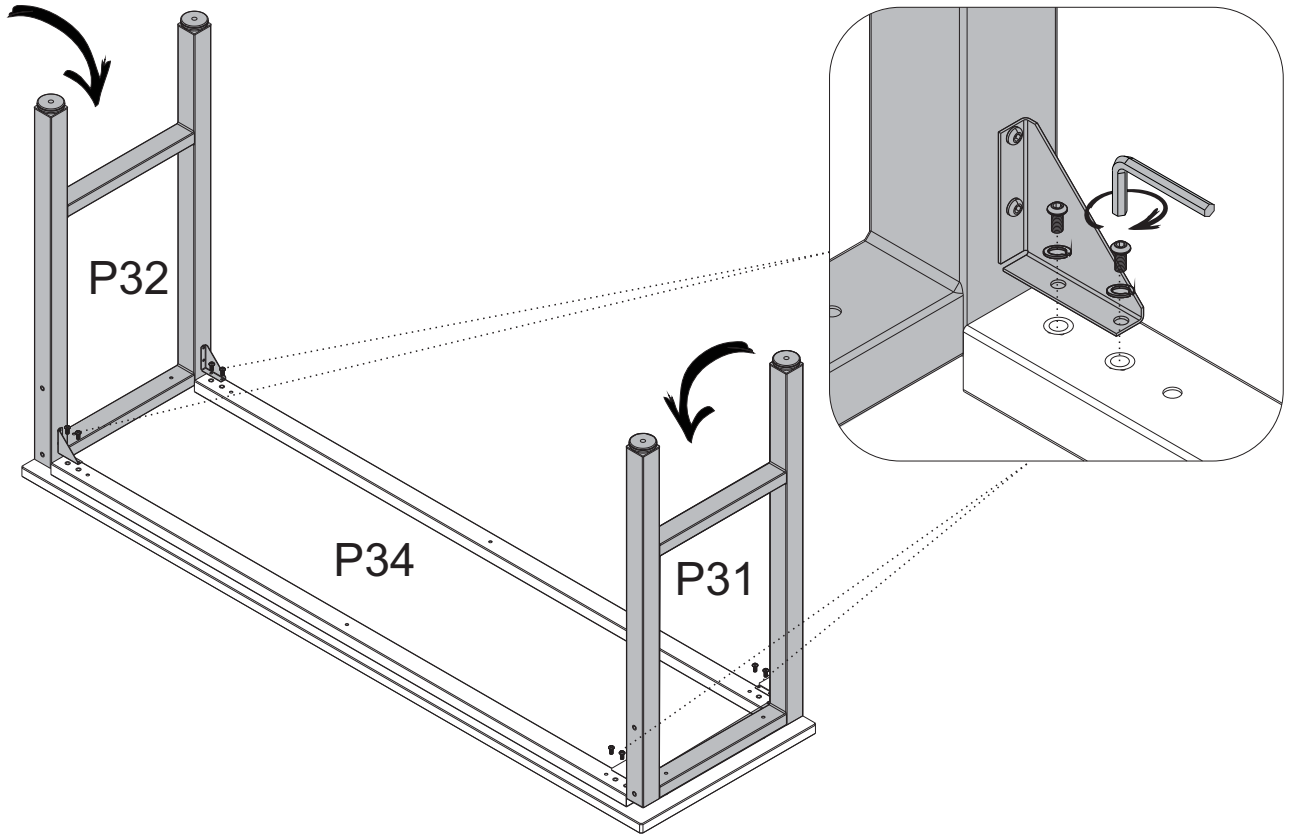
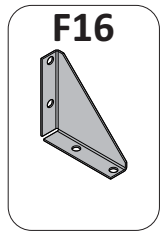
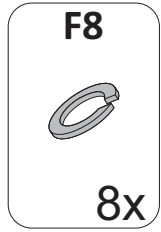
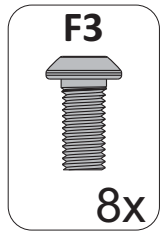
1. Align corner brackets **F16** to the upper sides of frames **P31** and **P32** and fix them with **F3** and **F8**



STEP 3

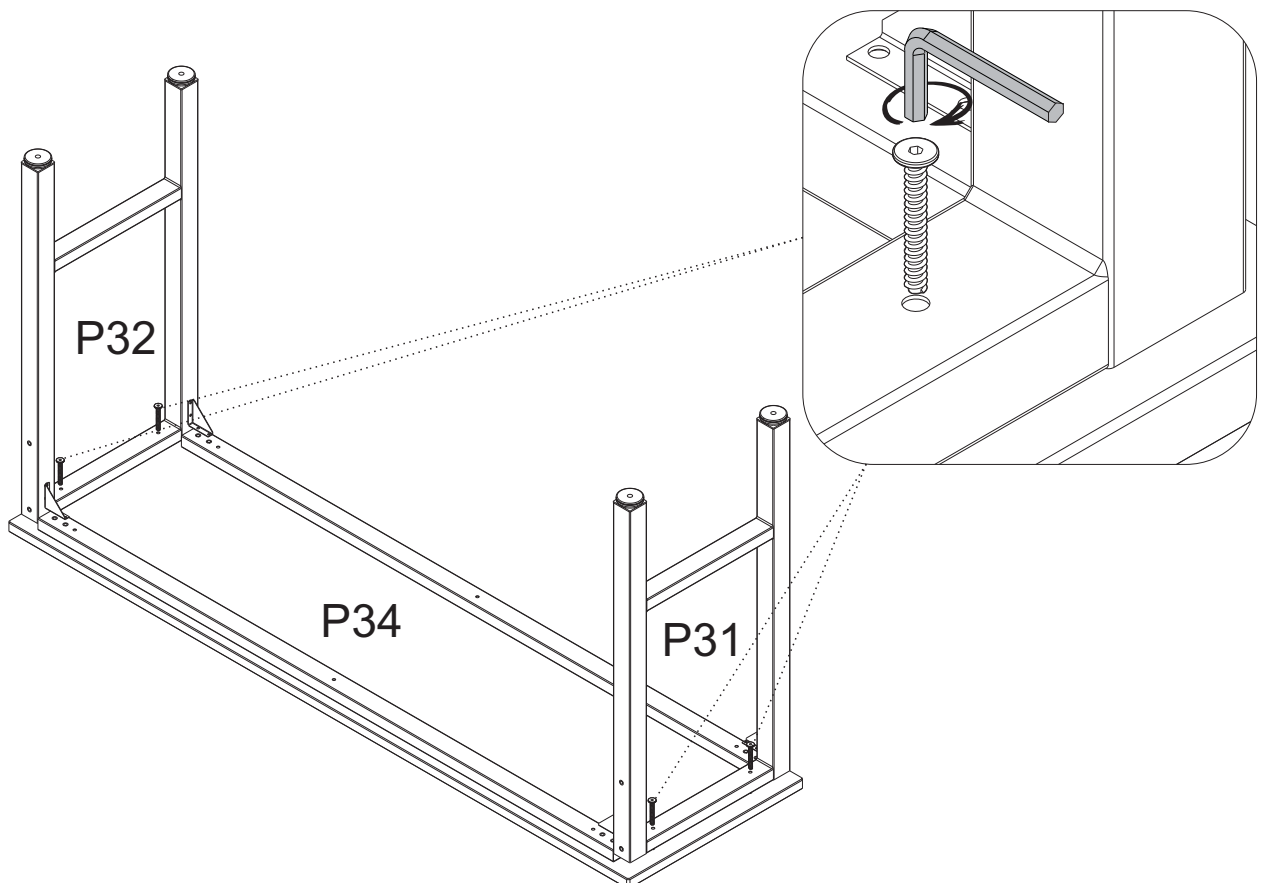
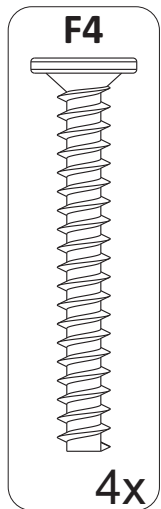
1. Align frames **P31** and **P32** to **P34**

2. Fix corner brackets **F16** to the metallic part of **P34**, with **F3** and **F8**



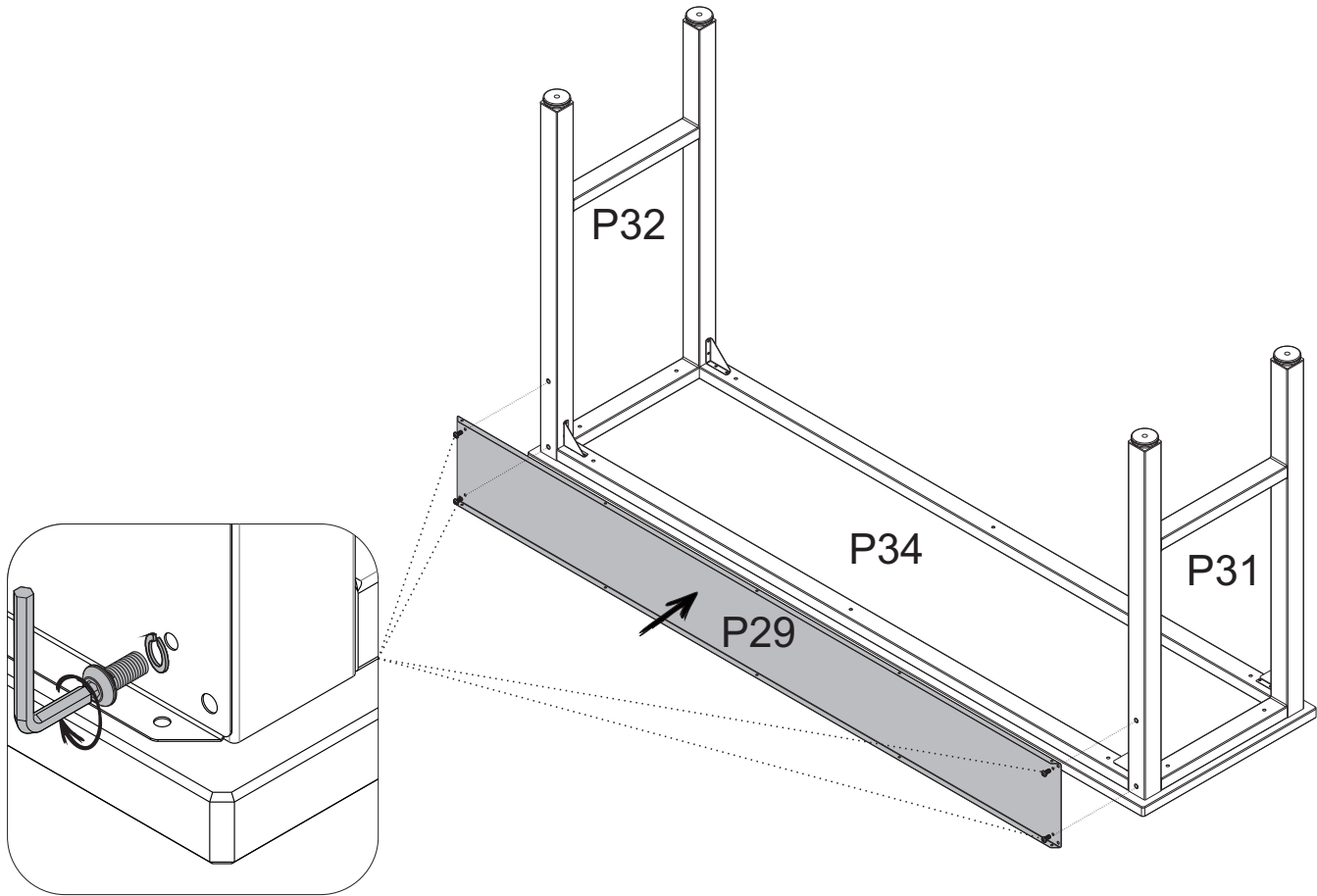
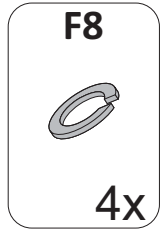
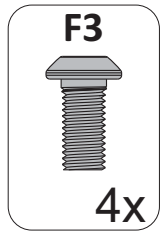
STEP 4

1. Then, fix frames **P31** and **P32** to the wooden part of part **P34**, with **F4**



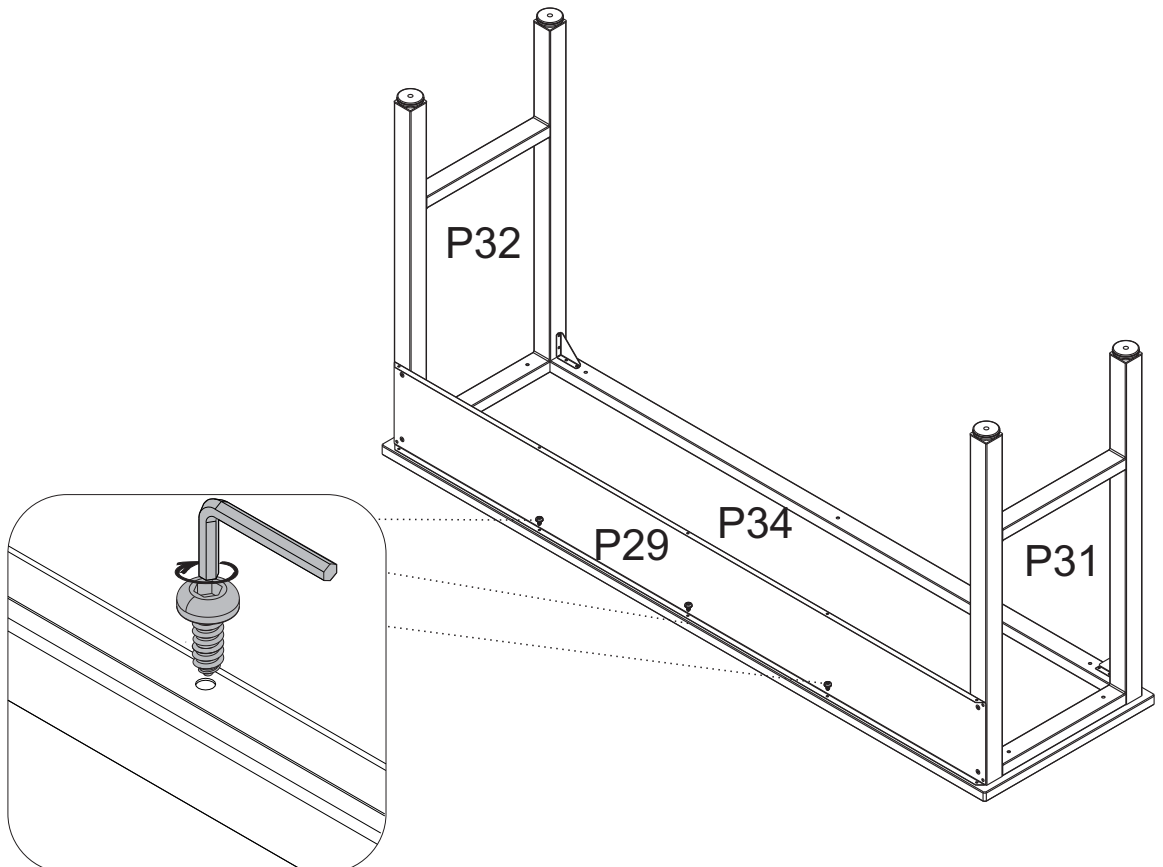
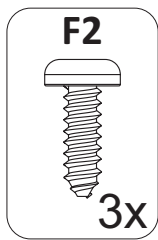
STEP 5

- 1.Align the part **P29** to frames **P31** and **P32**
- 2.Fix part **P29** to frames **P31** and **P32** with **F3** and **F8**



STEP 6

- 1.Fix part **P29** to part **P34** wooden side, with **F2**



STEP 7

1 -Insert product log

