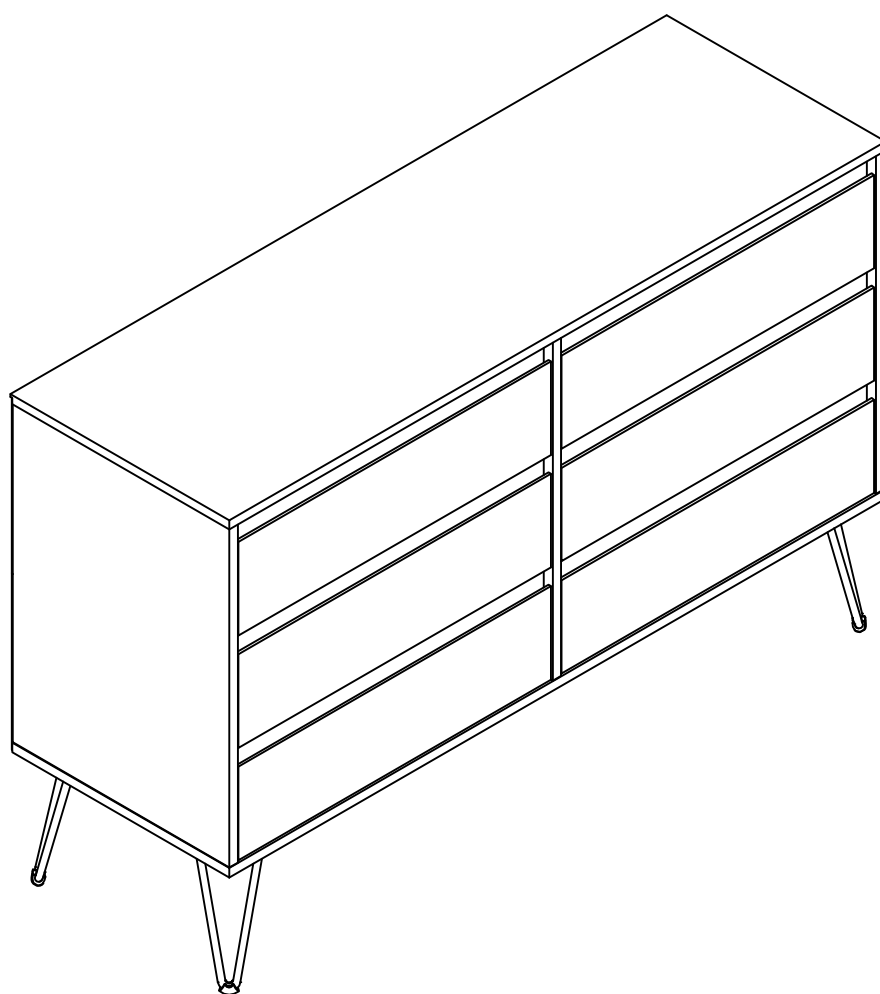


CARLTON 3+3 DRAWER CHEST

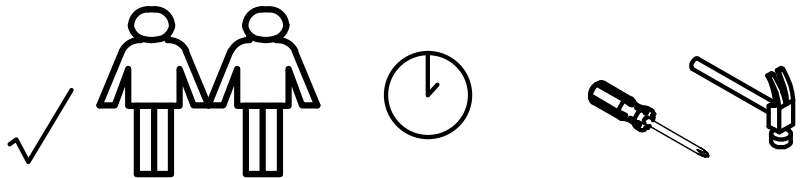
ASSEMBLY INSTRUCTION - Please Keep for Future Reference



Safety and Care Advice

IMPORTANT - Please Read This Instruction Carefully Before Assembly.

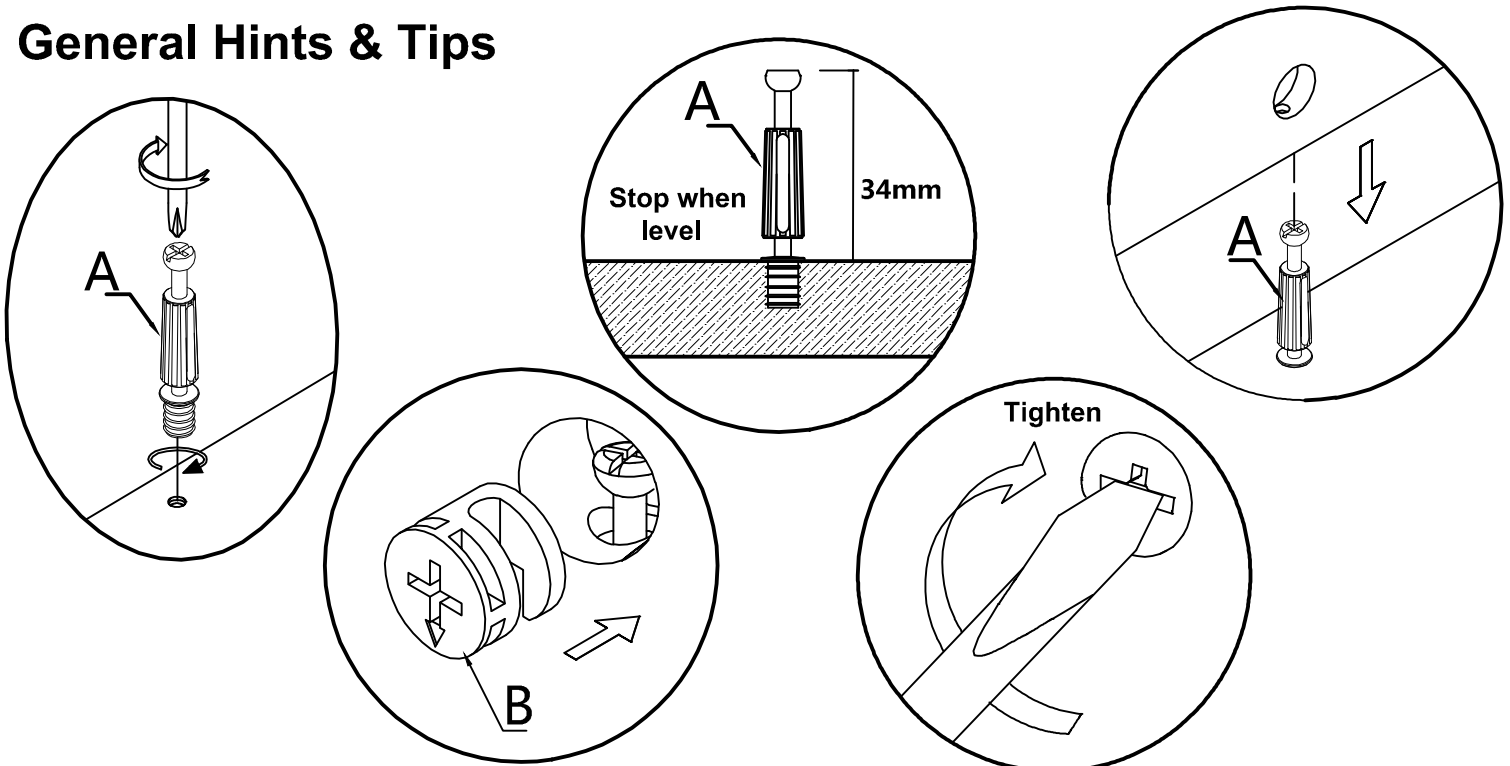
- Check you have all the components and tools listed on page 3.
- Do not stand or put weight on the product, this could cause damage.
- Do not use power drill/drivers for assembly, or the unit may be damaged.
- Remove all settings from the plastic bags and separate them into their groups.
- Assemble the item as close to it's intended position (in the same room) as possible.
- Assemble on a soft level surface to avoid damaging the unit.
- Dispose of all packaging carefully and responsibly.
- Keep children and animals away from the work area, small parts could choke if swallowed.
- Assemble on a soft level surface to avoid damaging the unit.
- Parts of the assembly will be easier with 2 people.
- Make sure you have enough space to layout the parts before assembly.



CARE and MAINTENANCE

- Only clean using a damp cloth and mild detergent, do not use bleach or abrasive cleaners.
- From time to time check that there are no loose screws on this unit.
- This product should not be discarded with household waste. Take to your local authority waste disposal center.

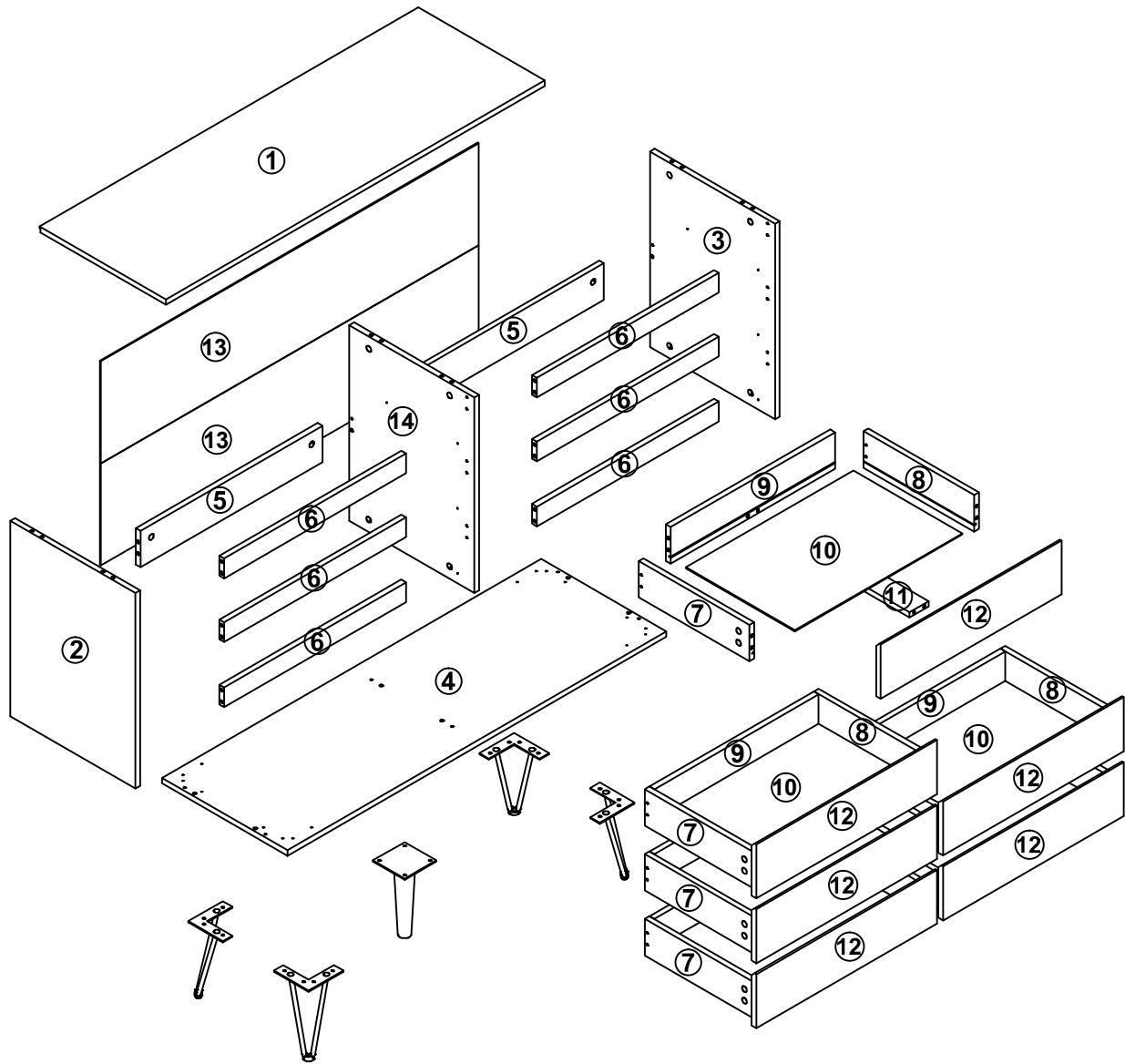
General Hints & Tips

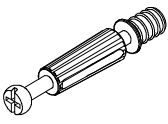
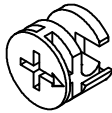
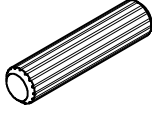
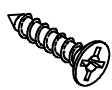
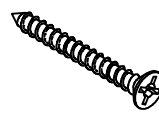
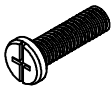
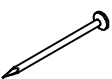
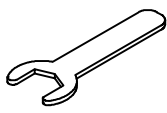
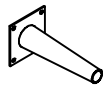





Components and Tools

IMPORTANT - Please Check If You Have All The Components and Tools.

Note: The quantities below are the correct amount to complete the assembly. In some cases more pieces may be supplied than are required.



A=64  Peg M6*34mm	B=64  Lock M15*12mm	C=40  Dowel M6*30mm	D=52  Screw M3.5*14mm	E=24  Screw M4*38	F=16  Screw
G=18  Pin	H=1  Wrench	I=1  Support Feet 205MM	CR CL DR DL=6  Drawer Runner	K=16  Screw Cap	L=4  Metal Feet

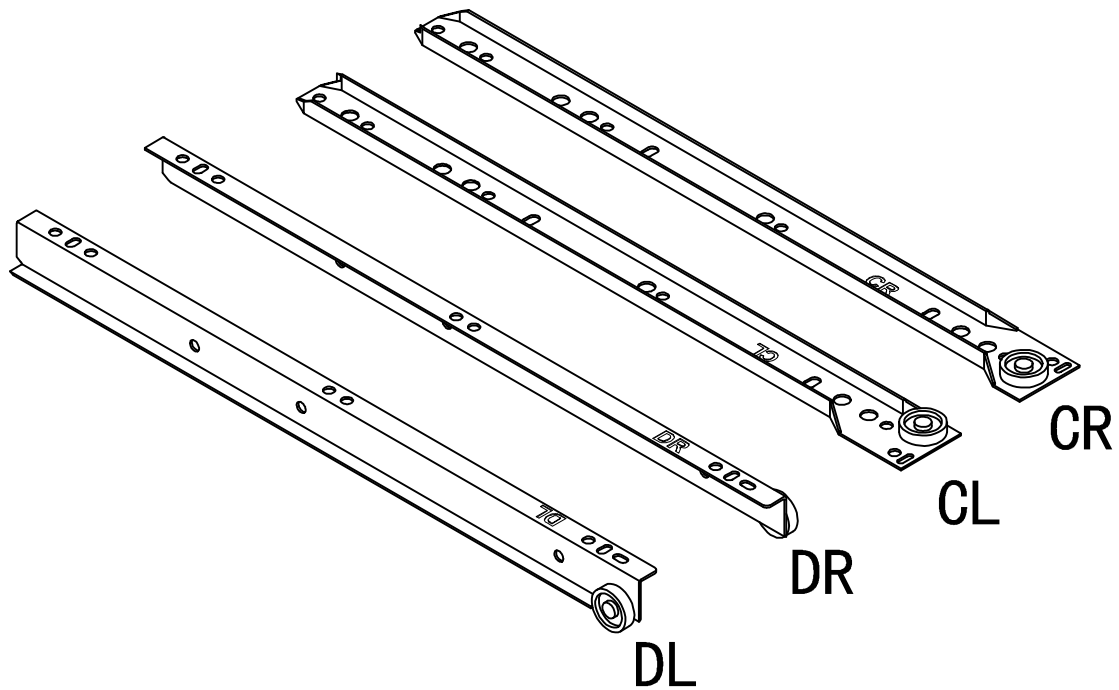
1OF2 ①, ④, ⑤ X2, ⑥ X6, ⑫ X6, ⑬ X2,

2OF2 ②, ③, ⑦ X6, ⑧ X6, ⑨ X6, ⑩ X6, ⑪ X6, ⑭, FITTING KIT

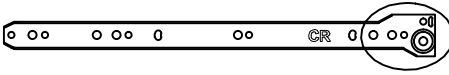
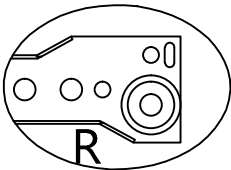
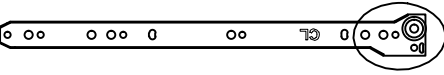
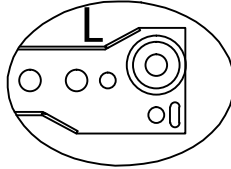

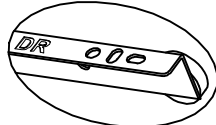
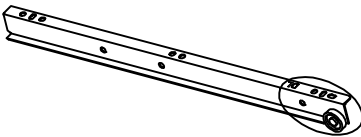
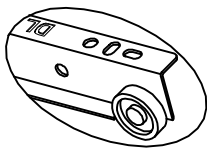
Drawer Runner Instruction

IMPORTANT - Please Read It Carefully.

NOTE:1 PAIR DRAWER RUNNER INCLUDES 4 PIECES.



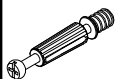
Fittings (not to scale)

NO.	DESCRIPTION	QTY		
CR	Outer Drawer Runner - Right	6PCS		
CL	Outer Drawer Runner - Left	6PCS		
DR	Inner Drawer Runner - Right	6PCS		
DL	Inner Drawer Runner - Left	6PCS		

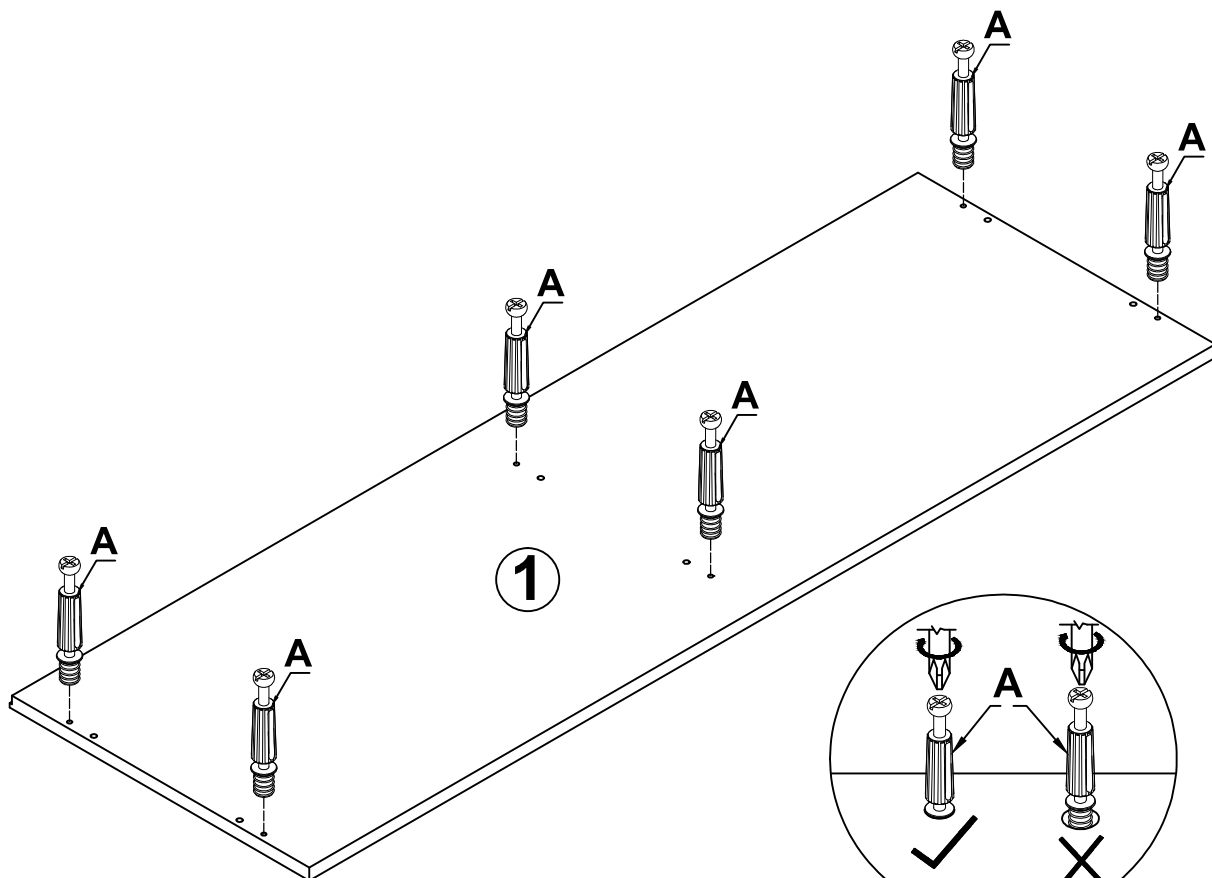
Assembly Instruction

Step 1

A=6



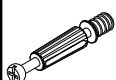
Peg



Step 2

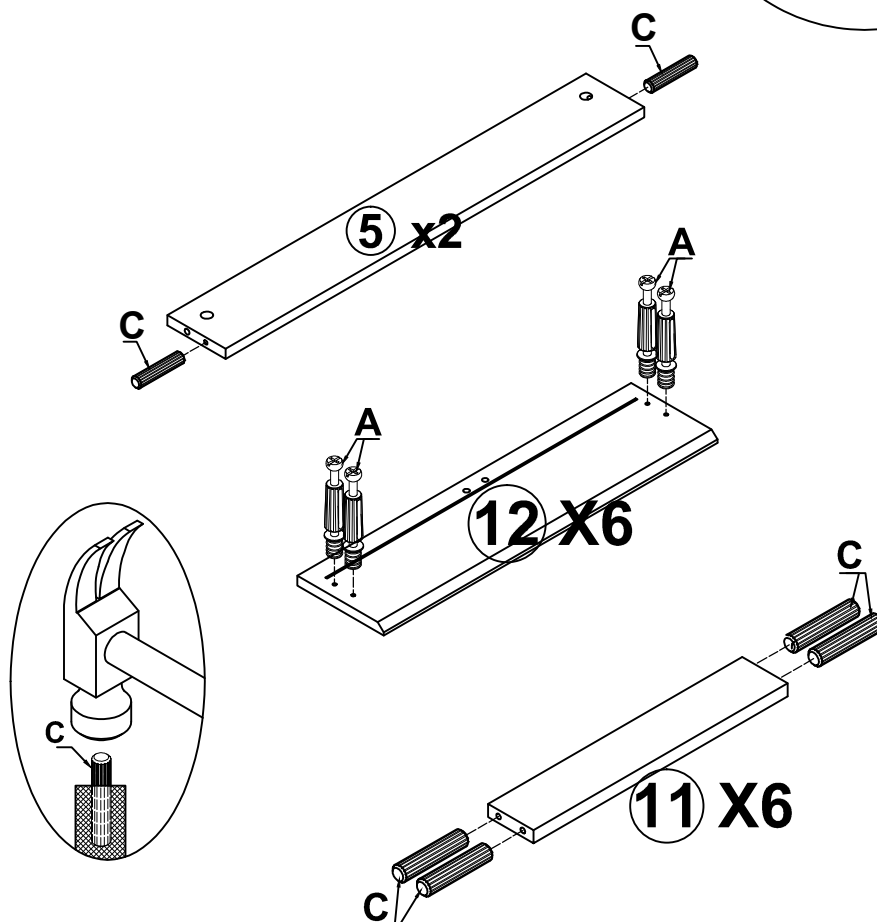
A=24

C=28








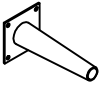
Peg

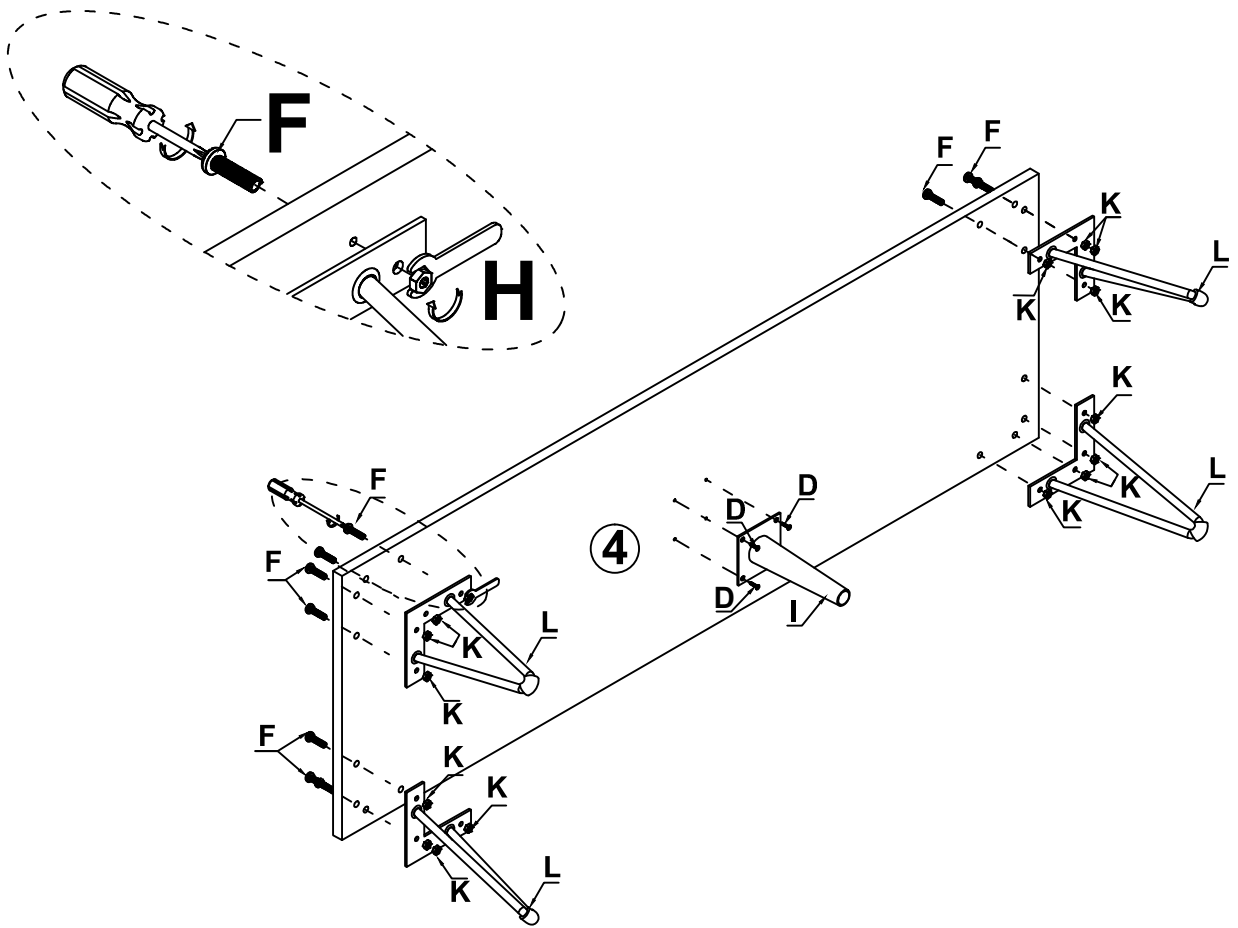
Dowel



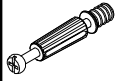
Assembly Instruction

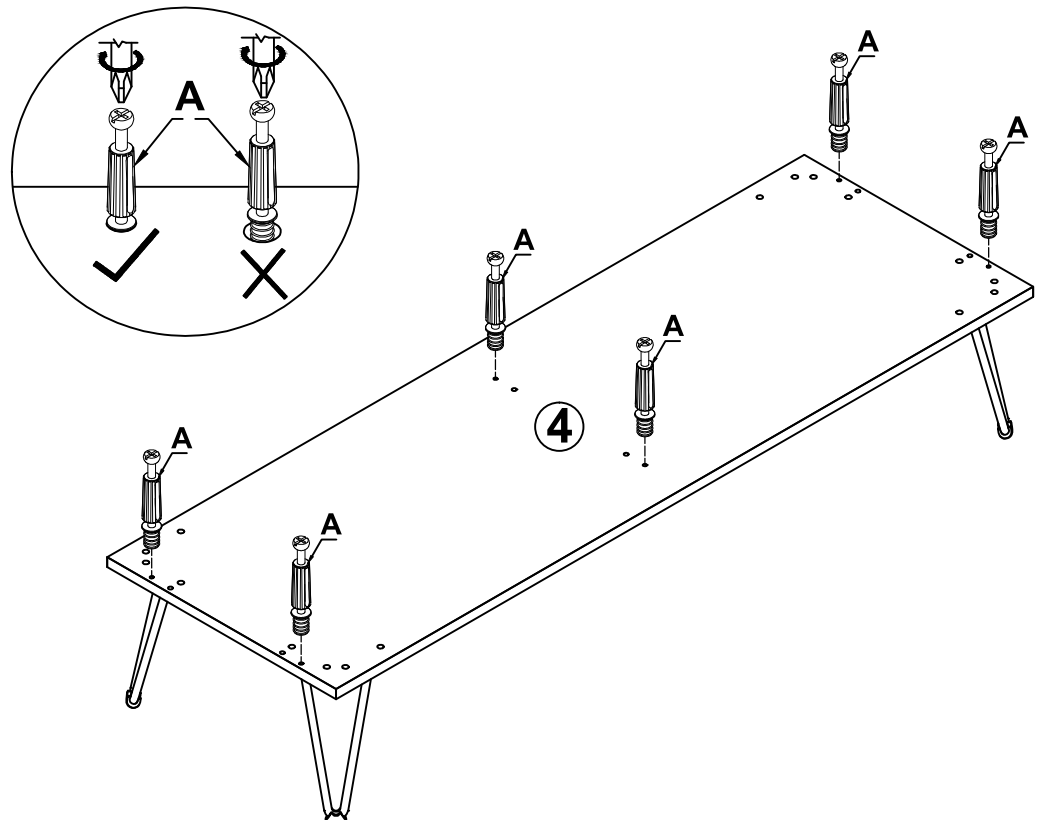
Step 3

D=4	F=16
	
Screw M3.5*14mm	Screw
L=4	H=1
	
Metal Feet	Wrench
K=16	I=1
	
Screw Cap	Support Feet



Step 4

A=6	
	
Peg	

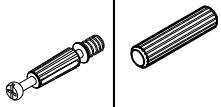


Assembly Instruction

Step 5

A=7

C=4

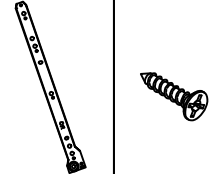


Peg

Dowel

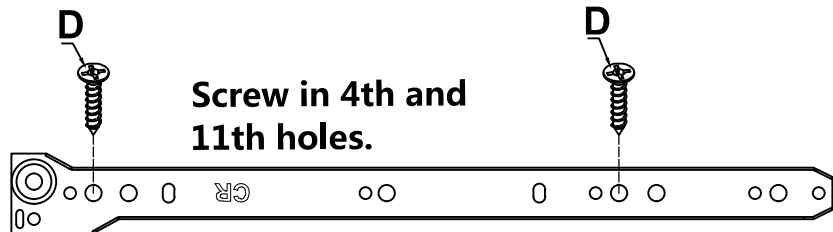
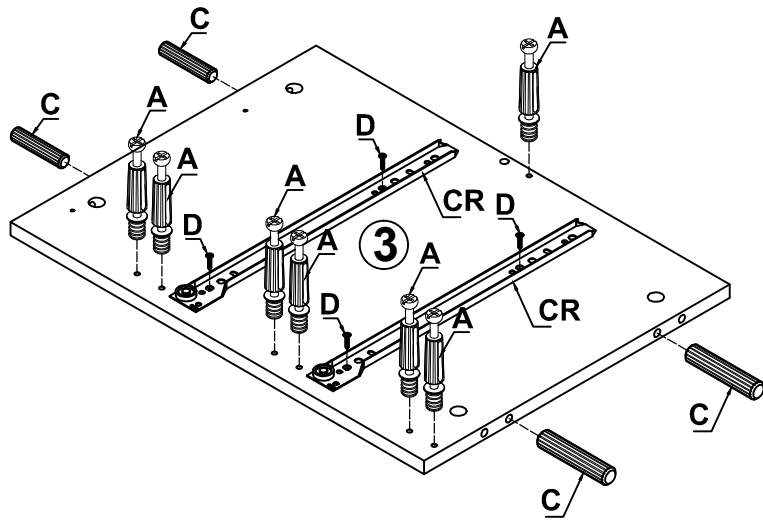
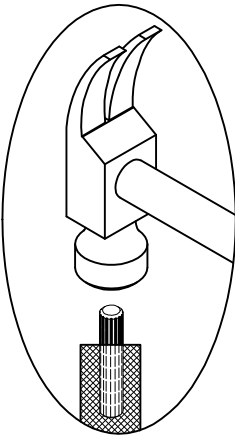
CR=2

D=4



Drawer Runner

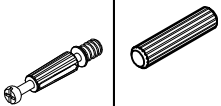
Screw M3.5*14mm



Step 6

A=7

C=4

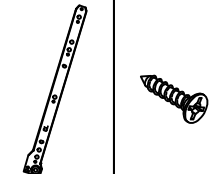


Peg

Dowel

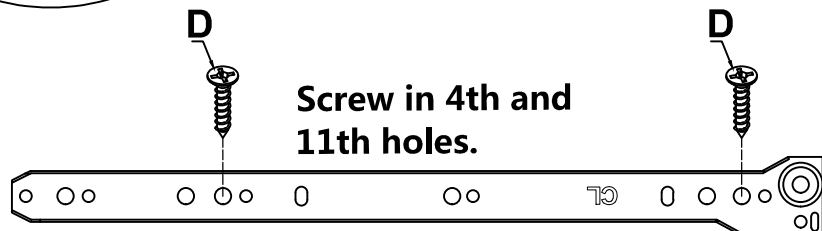
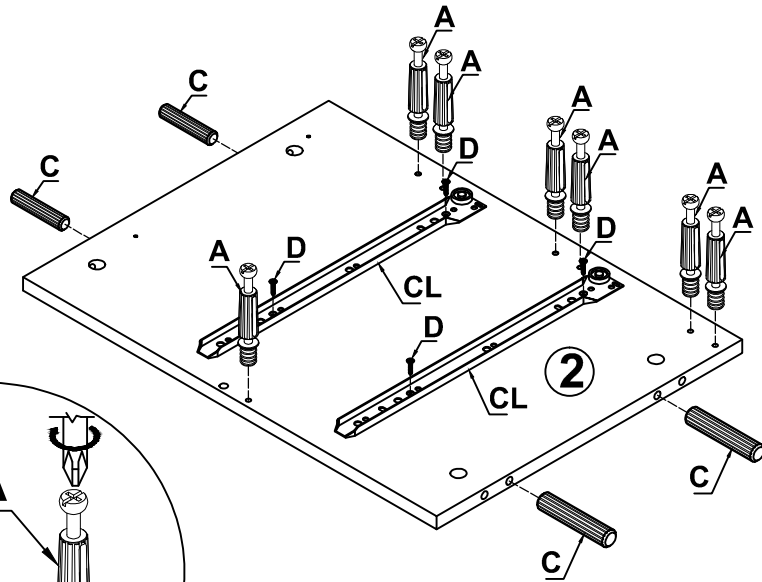
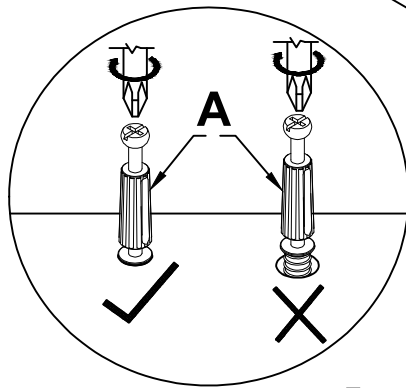
CL=2

D=4





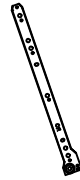

Drawer Runner

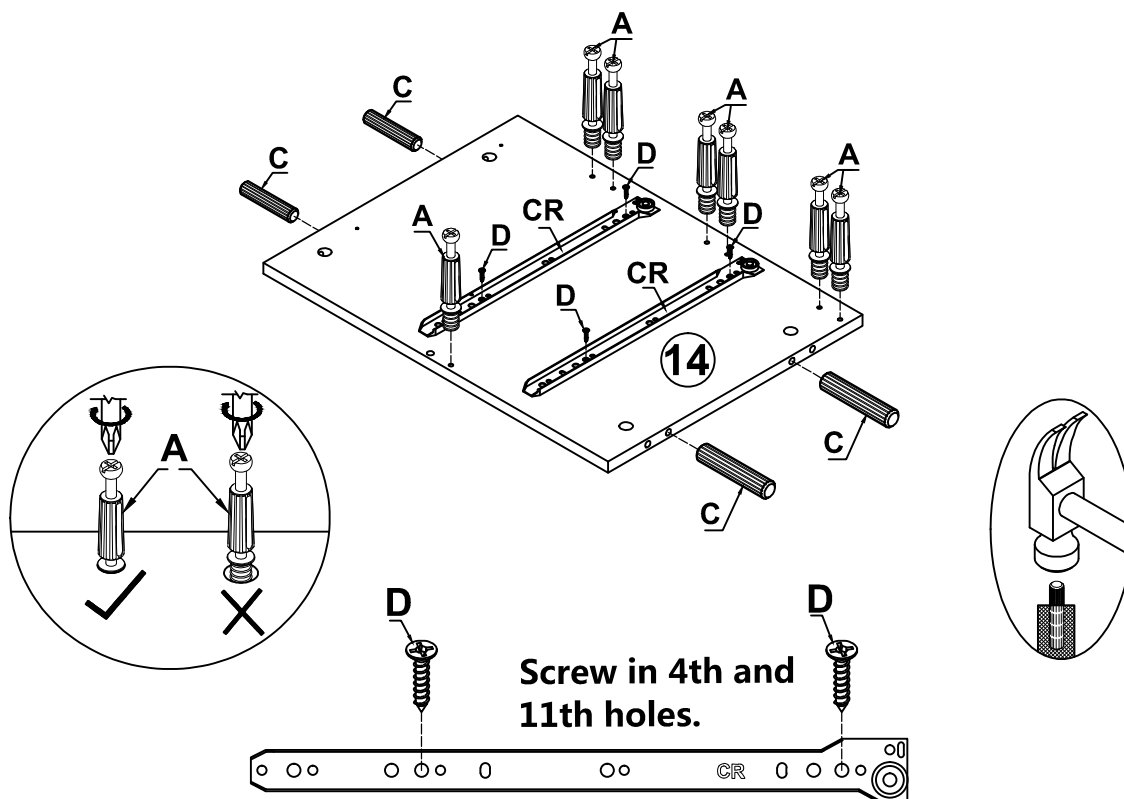
Screw M3.5*14mm



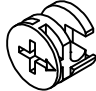
Assembly Instruction

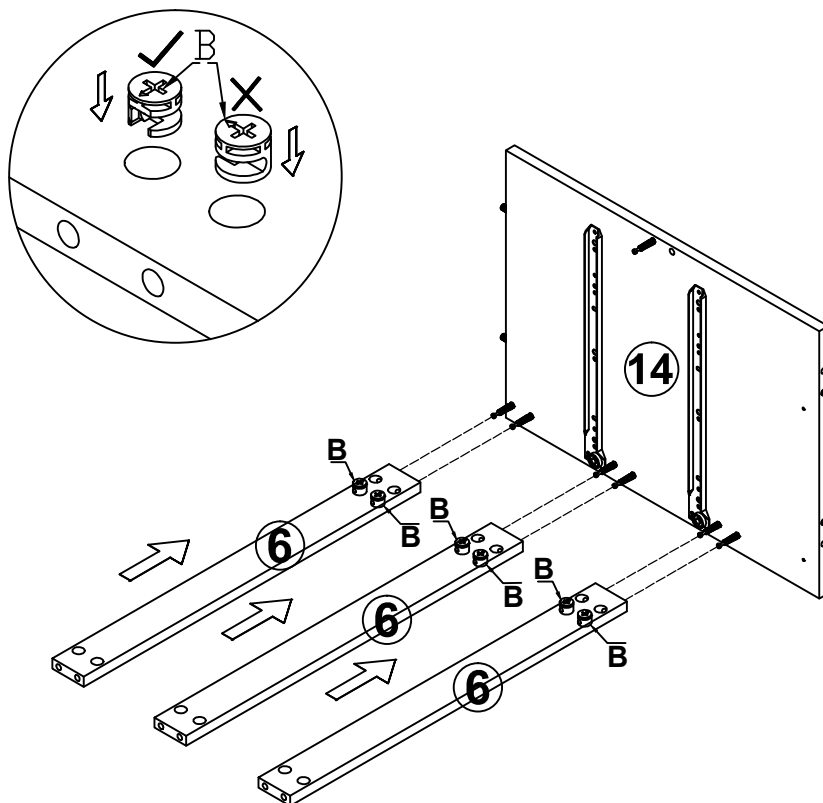
Step 7

A=7	C=4
	
Peg	Dowel
CR=2	D=4
	
Drawer Runner	Screw M3.5*14mm



Step 8

B=6	
	
Lock	

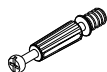


Assembly Instruction

Step 9

A=7

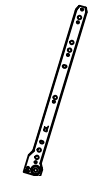
D=4



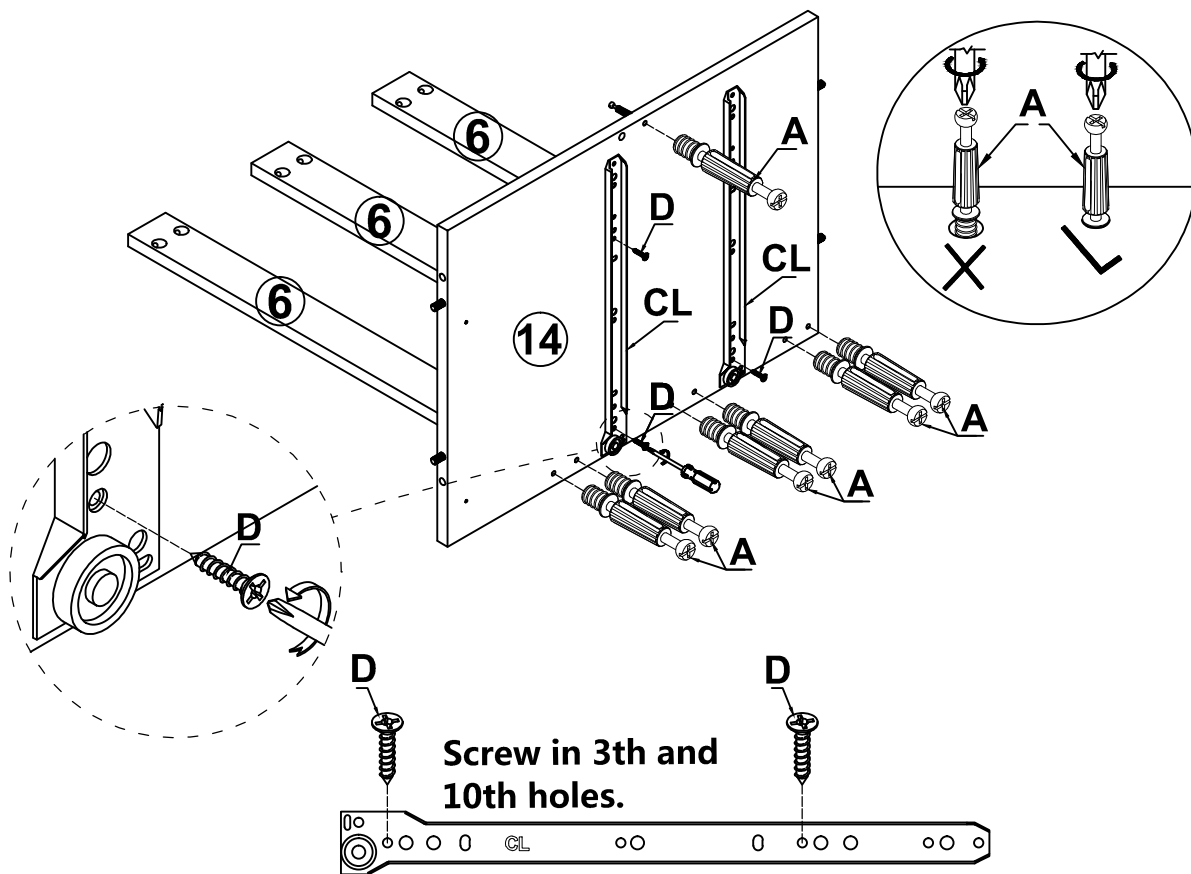
Peg

Screw
M3.5*14mm

CL=2

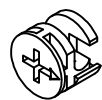


Drawer
Runner

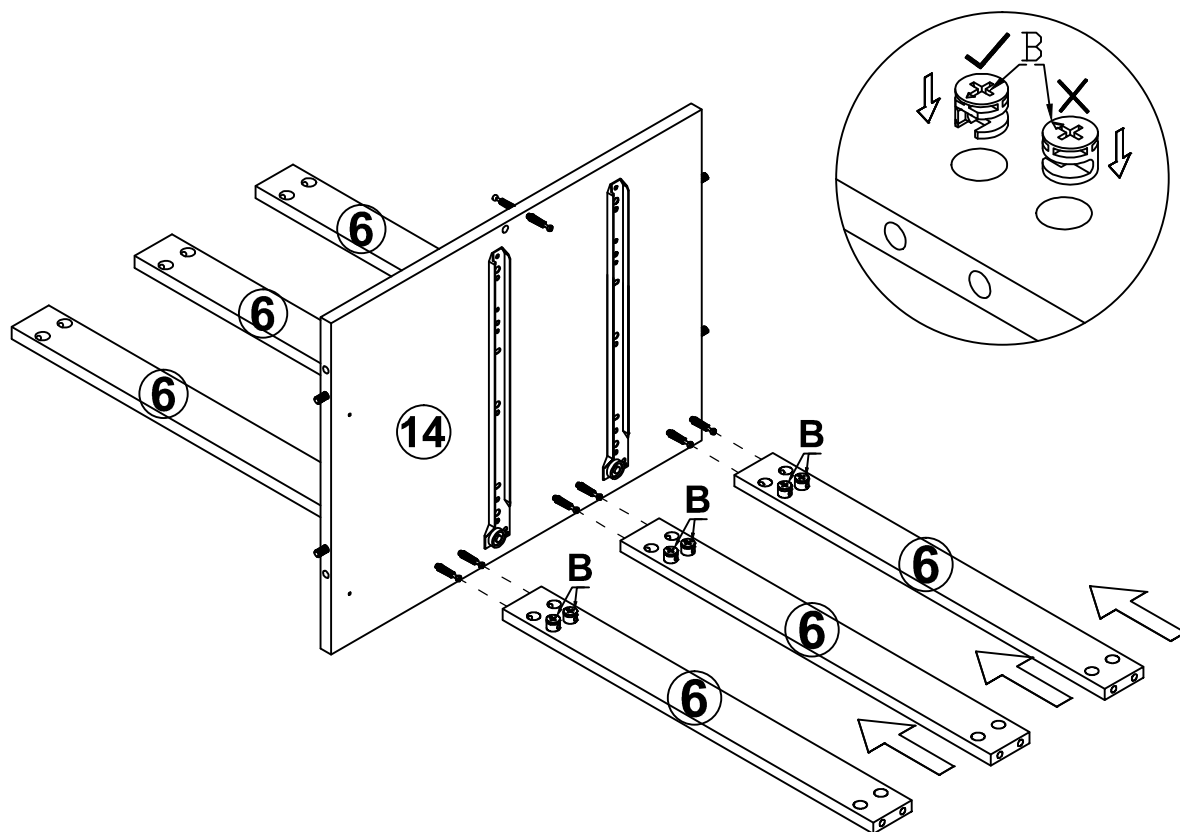


Step 10

B=6



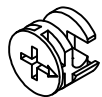
Lock



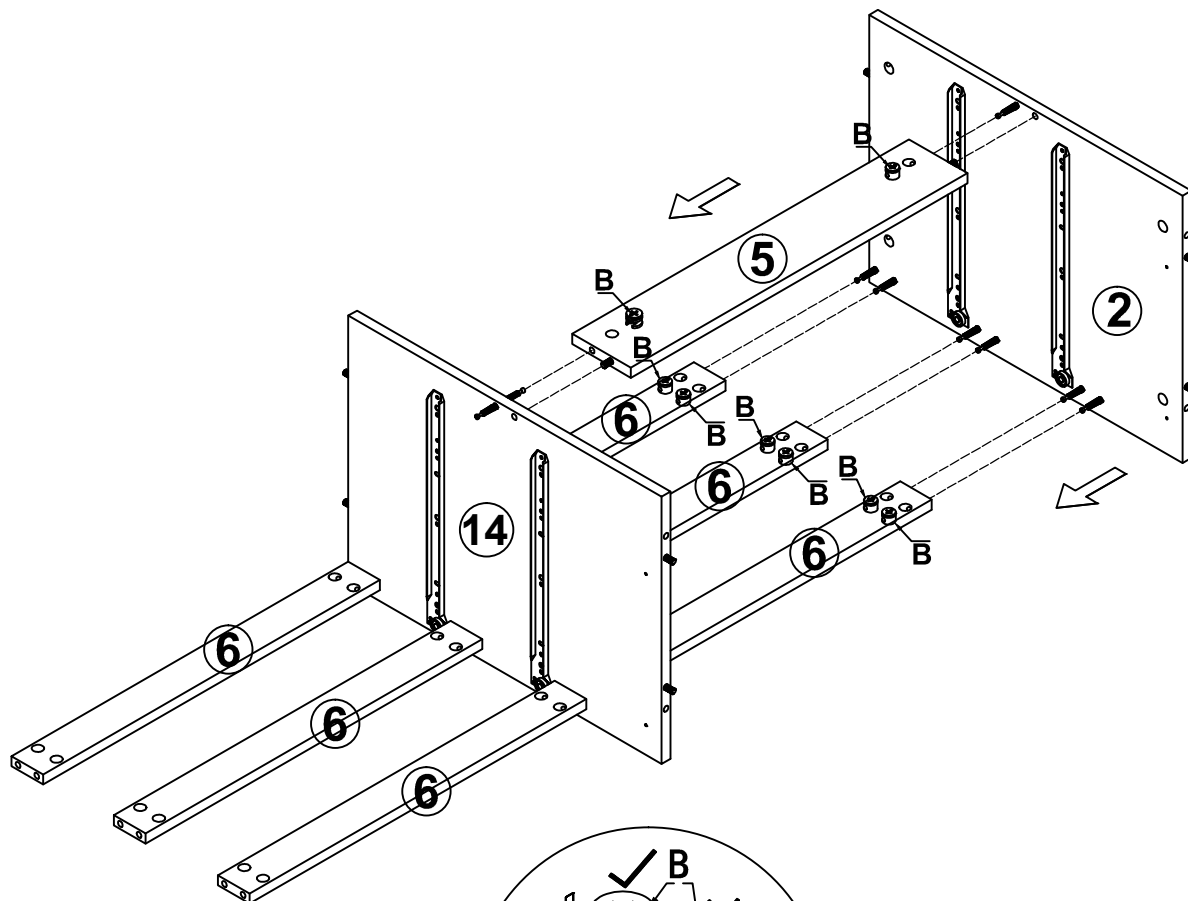
Assembly Instruction

Step 11

B=8

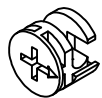


Lock

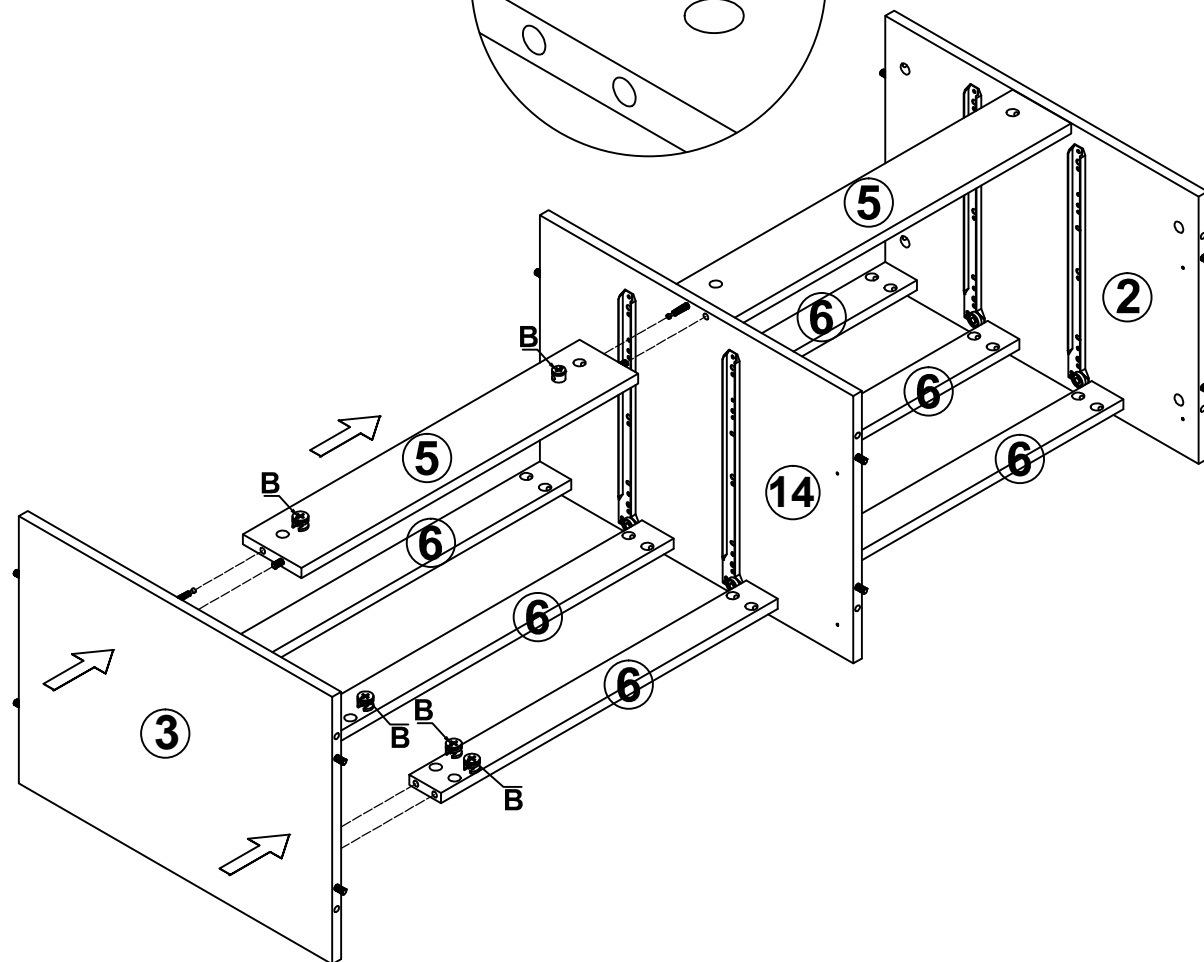


Step 12

B=8



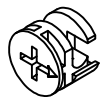
Lock



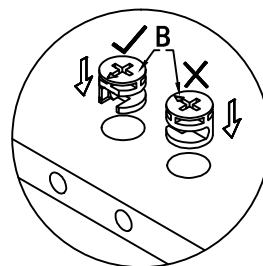
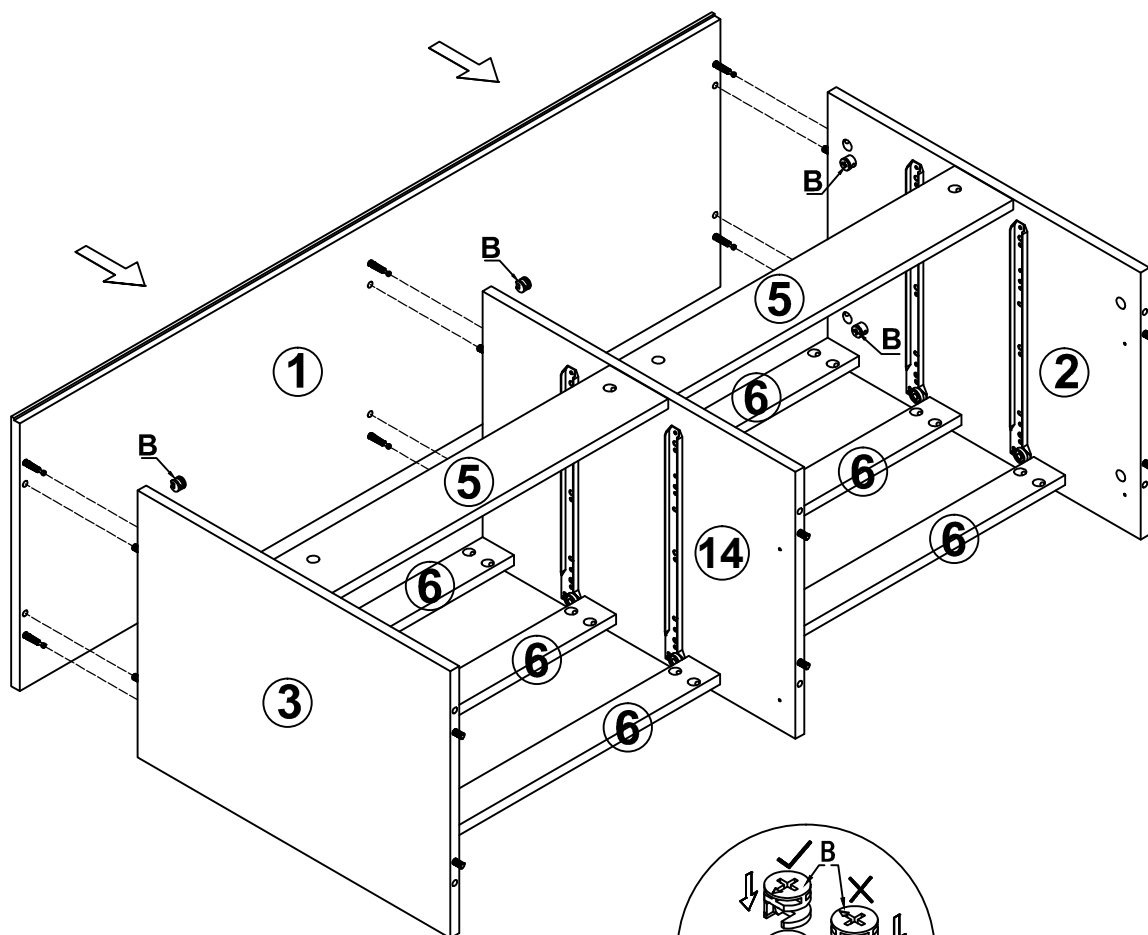
Assembly Instruction

Step 13

B=6

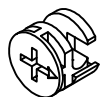


Lock

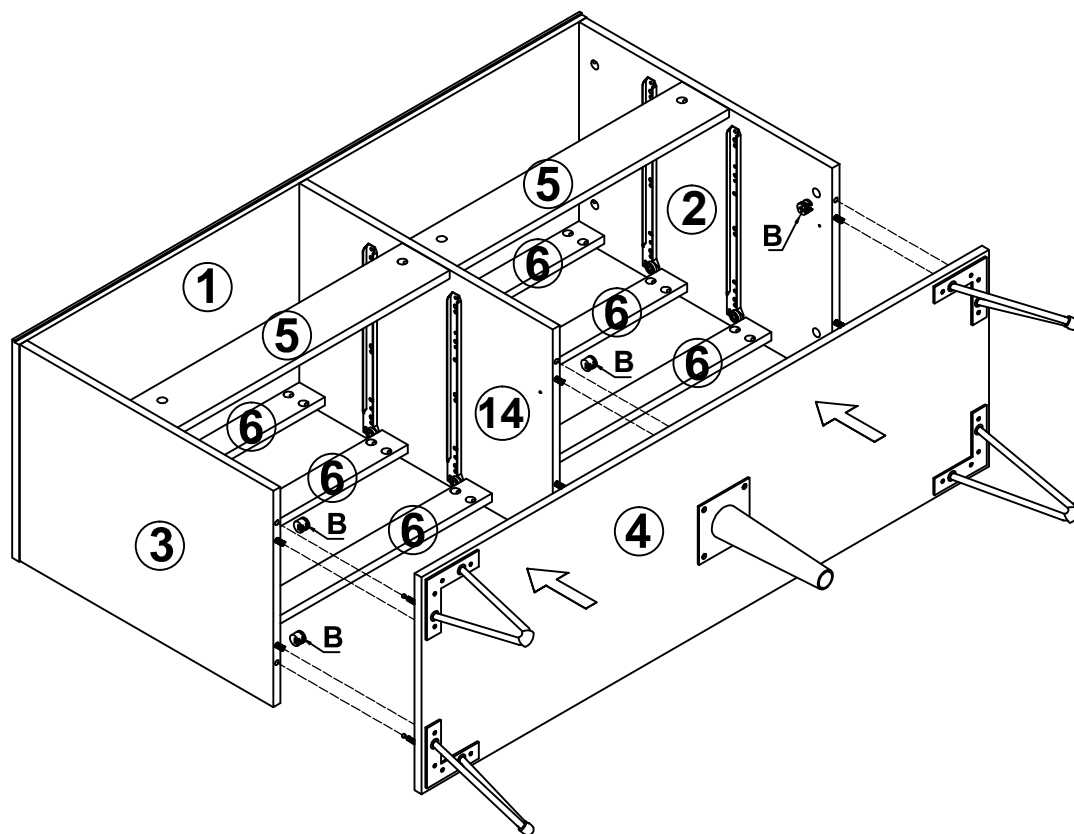


Step 14

B=6



Lock

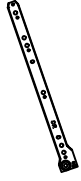


Assembly Instruction

Step 16

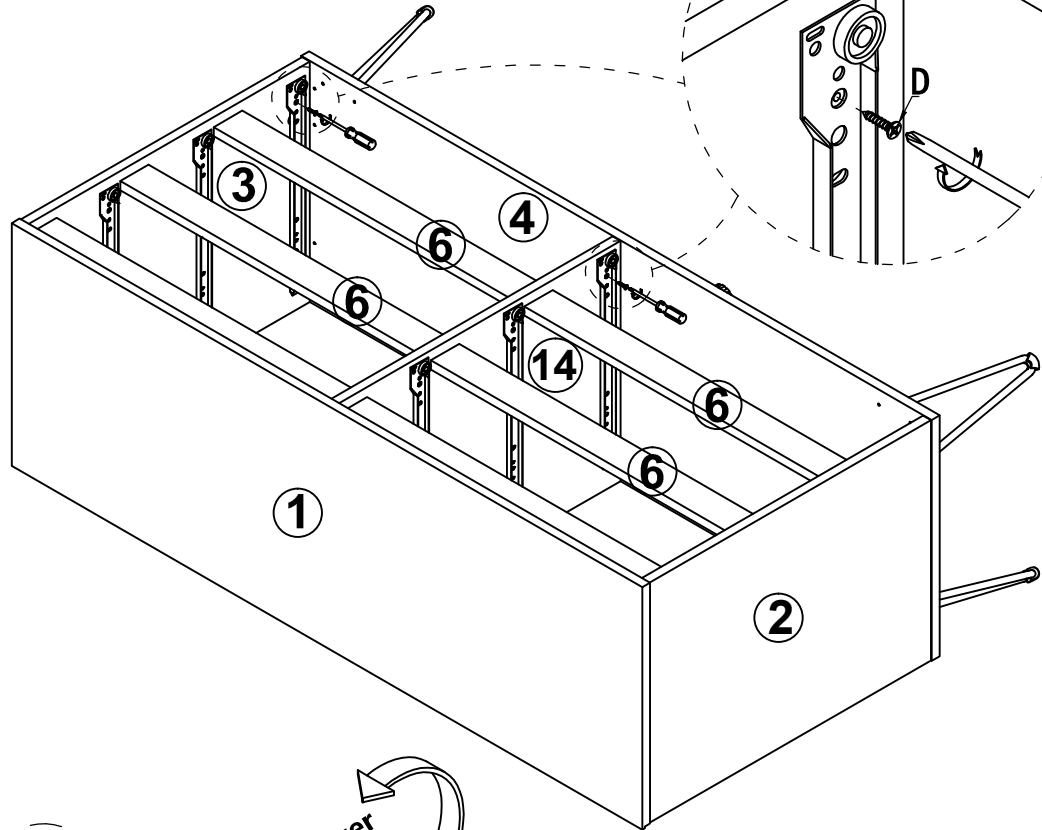
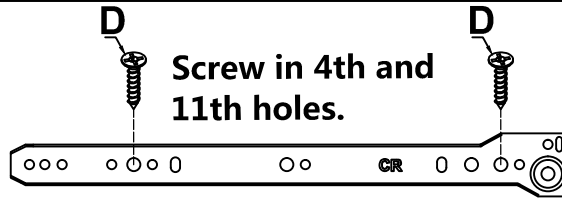
CR=2

D=4



Drawer
Runner

Screw
M3.5*14mm



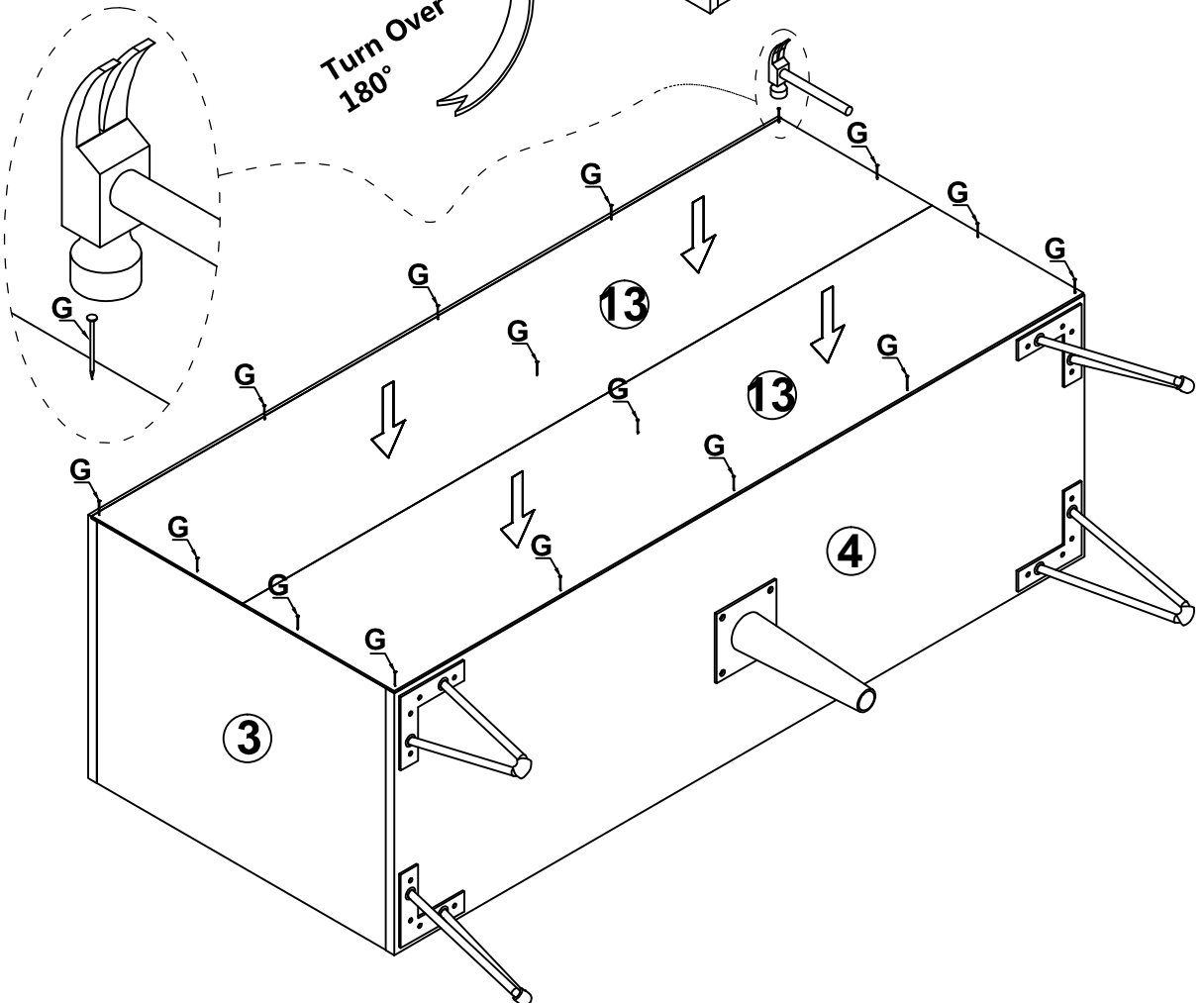
Step 17

G=18



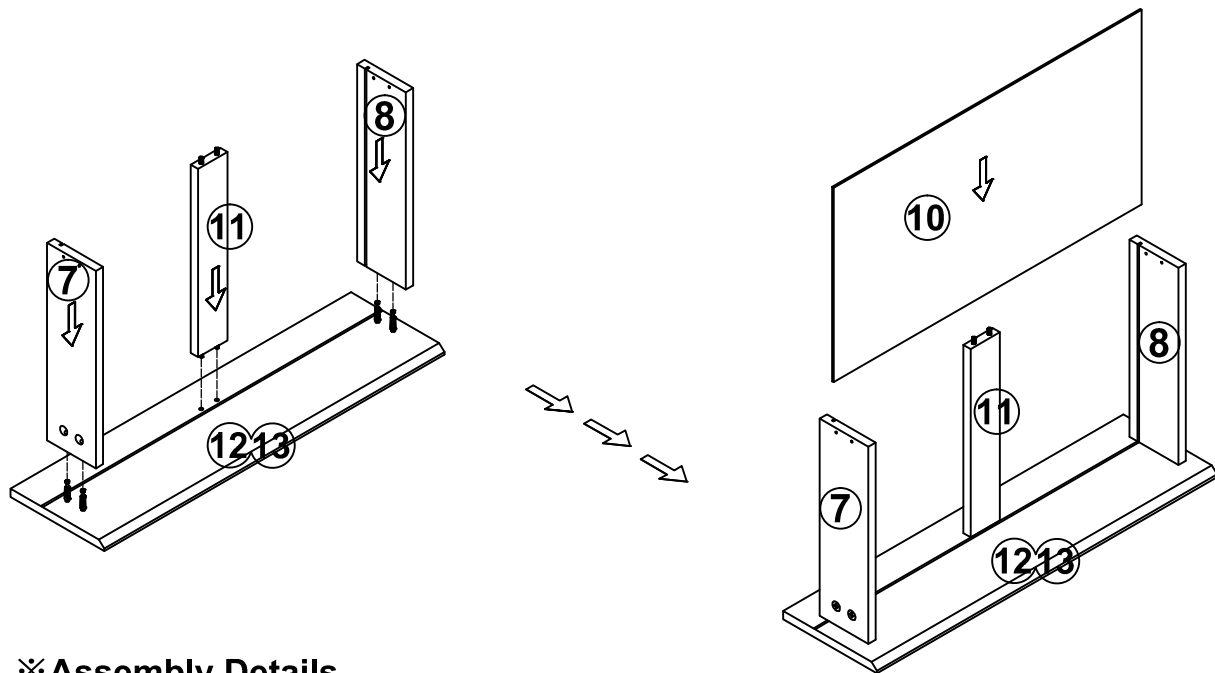
Pin

Turn Over
180°



Assembly Instruction

Step 18



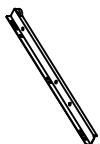
※Assembly Details

Please slide drawer bottom then fix the cam lock

Step 19

DR=6

DL=6



Drawer
Runner



Drawer
Runner

D=24

B=24



Screw
M3.5*14mm



Lock

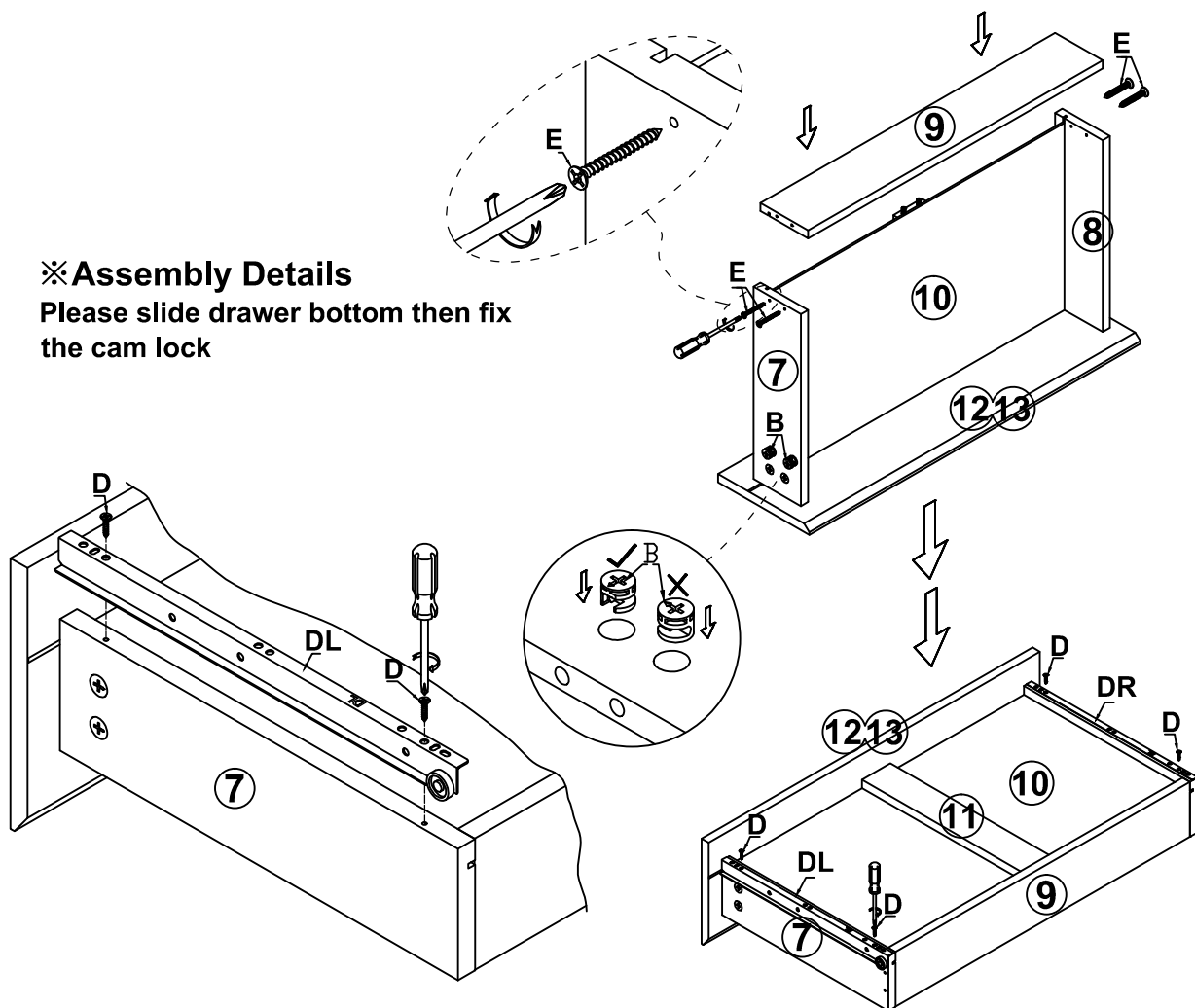
E=24



Screw
M4*38

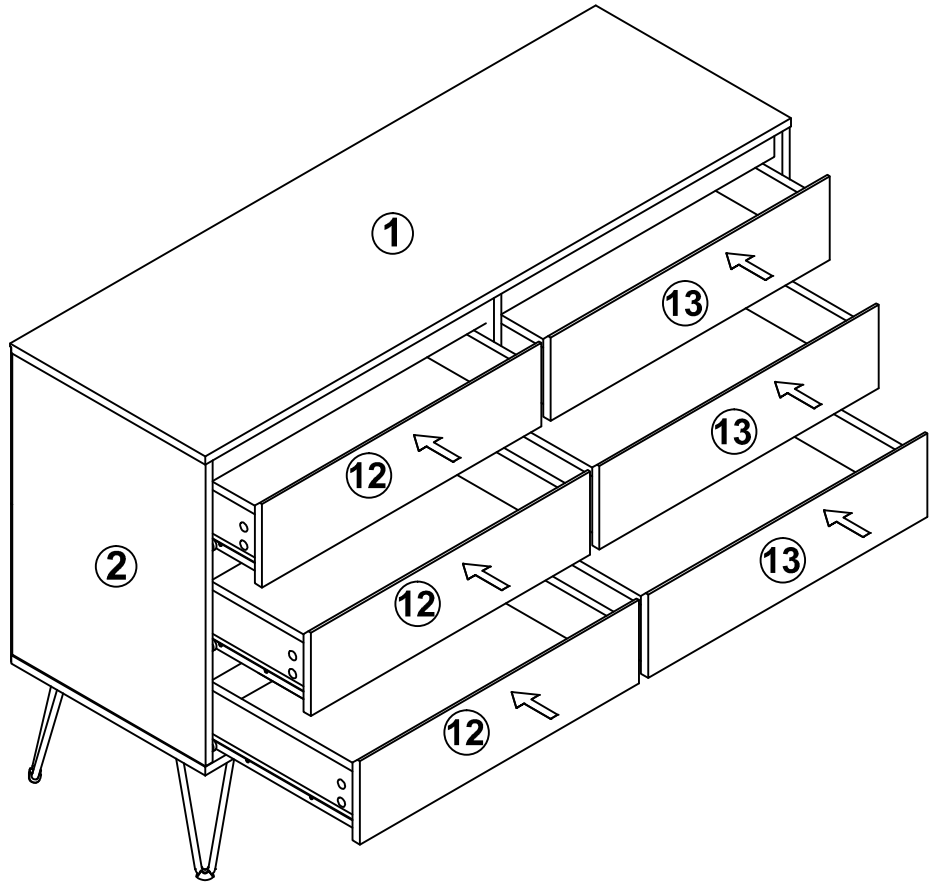
※Assembly Details

Please slide drawer bottom then fix the cam lock

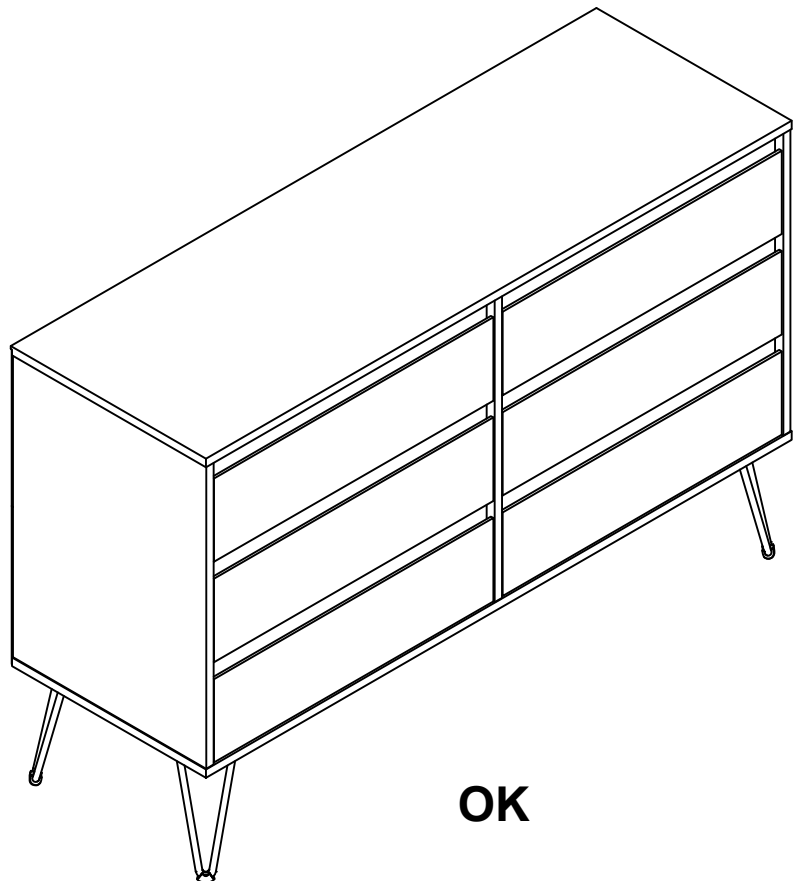


Assembly Instruction

Step 20



Step 21



P=1

