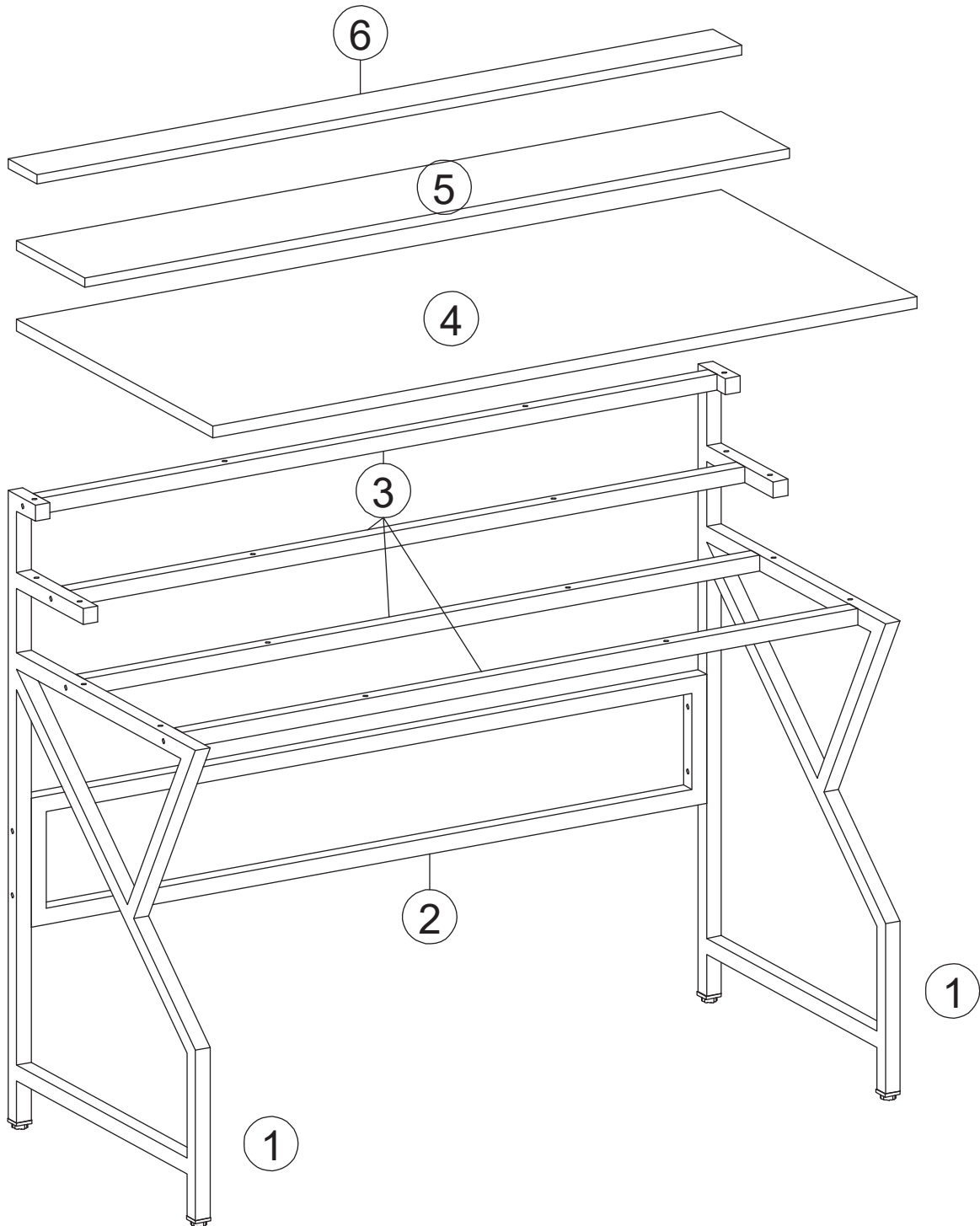


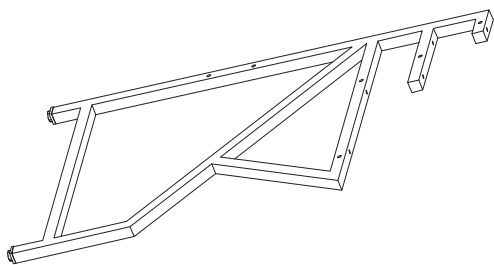
IMPORTANT, RETAIN FOR FUTURE REFERENCE: READ CAREFULLY

ASSEMBLY & INSTRUCTION MANUAL

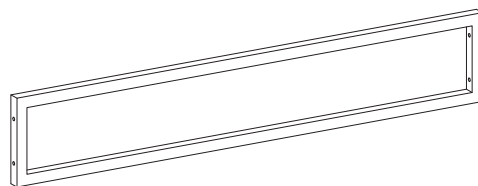


PARTS

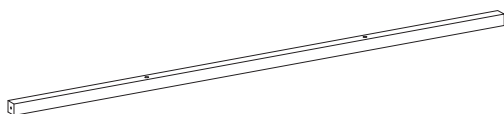
1 x 2



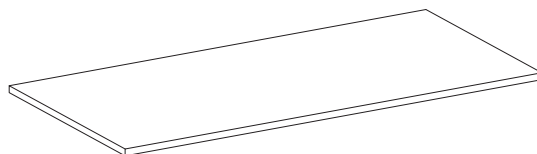
2 x 1



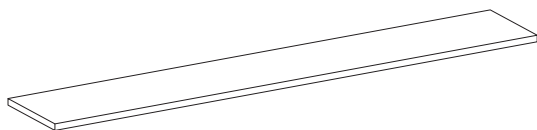
3 x 4



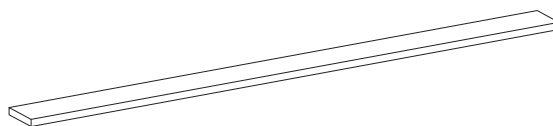
4 x 1



5 x 1

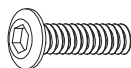


6 x 1



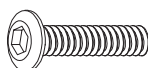
HARDWARE

A x 18



M6x35

B x 8



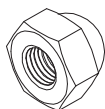
M6x45

C x 4



M6x55

D x 4

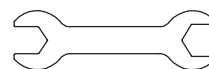


M6




E x 1

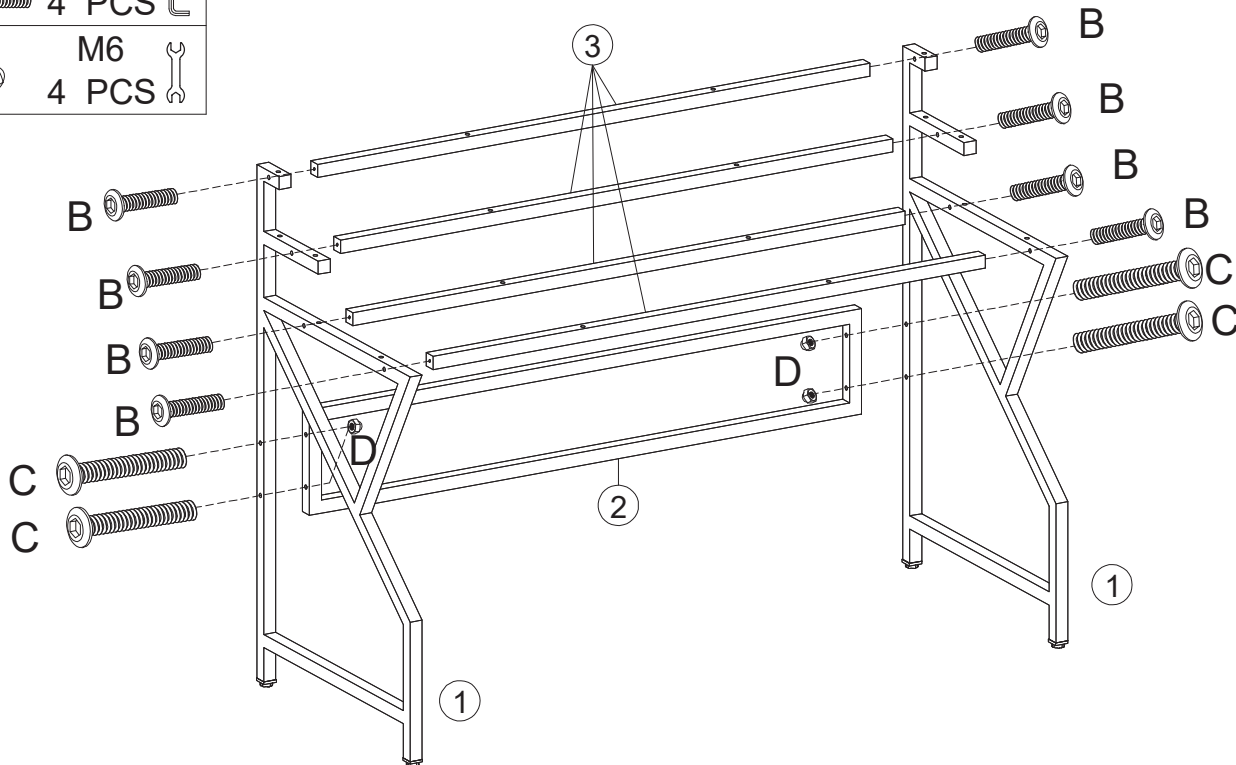


F x 1



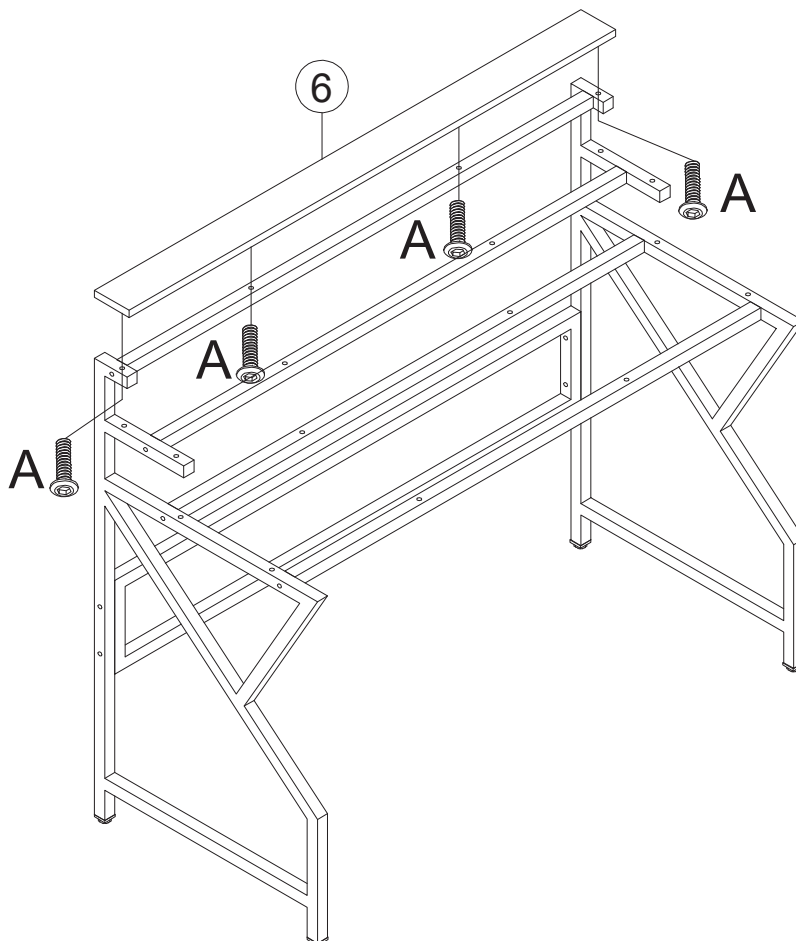
.SCREWS

B	M6X45	
	8 PCS	
C	M6X55	
	4 PCS	
D	M6	
	4 PCS	



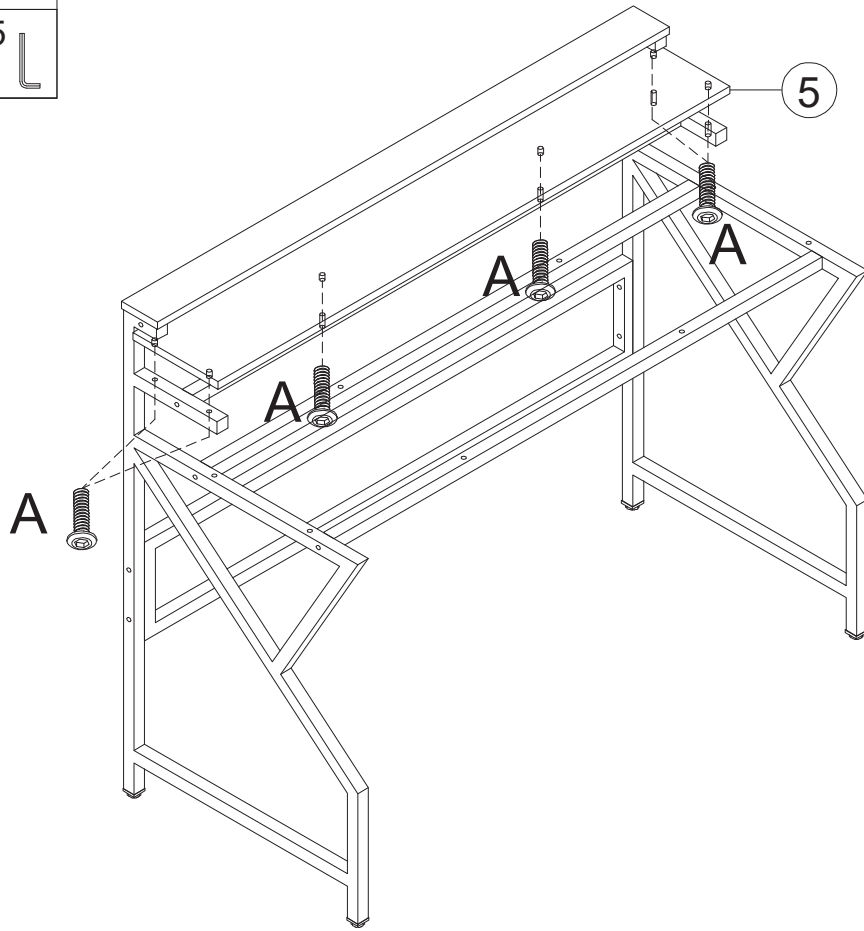
.SCREWS

A	M6X35	
	4 PCS	



.SCREWS

A M6X35
6 PCS



.SCREWS

A M6X35
8 PCS

