

Set-up Instructions for:

BR03LK – Lateral Murphy Desk Bed



roomandloft_s

Thank you so much for your purchase!!
If you need anything – please call us at:

714-455-7446

For Fast Service!

Watch our helpful assembly video@

WallbedGallery.com/video



Murphy Bed Set-up Guide

**Congratulations and a Big Thank You for your purchase of a RoomAndLoft Murphy Bed!
We sincerely appreciate your business!**

First – a few words of advice and caution:

1. Please do this job with two people. Attempting to do it alone, though heroic, could lead to product damage or injury because some things might be too heavy for just one person to safely handle. With two people, the job will be much smoother and safer – and a lot more fun!
2. Please read and follow the instructions carefully, as it will save time and avoid possible incorrect set-up of the product.
3. Please do not over-tighten screws and bolts, as it may lead to “stripping” the threads and make the connection weak. The best rule is “firm and snug is what we need”.
4. If you will be installing your Murphy Bed on a hard surface such as stone, hardwood floor, tile, (anything other than carpet), please lay down enough padding to lay the parts on while assembling. This will protect the Murphy bed parts from the floor, and vice-versa. We recommend enough blankets, comforters, moving blankets, etc., to cover a full 10'x10' area.
5. **Before you begin your installation, PLEASE take a few minutes to WATCH our helpful assembly VIDEO which is available for viewing online at www.wallbedgallery.com/video**

Note: Your ceiling height needs to be at least 70” for the Murphy Bed to be installed

PREPARATION FOR ASSEMBLY:

Please locate and confirm that you have the following 5 boxes. Open the boxes in numerical order as called for in this guide

BOX 1
Installation Instructions
Inside box 2

BOX 1
BRSLK-WT-SL
MODERNE
WHITE



Watch our helpful installation video at WallbedGallery.com/video

Qn Side, Panels
Cubic Ft: 10.88
GW LBS: 85.2 LBS
GW KG: 37.8 KG



Made in Vietnam
TSCA Title VI Compliant

BOX 2
Installation Instructions
Inside this box

BOX 2
BRSLK-WT-HL
MODERNE
WHITE



Watch our helpful installation video at WallbedGallery.com/video

Qn Horiz, Panels
Cubic Ft: 11.11
GW LBS: 111 LBS
GW KG: 60.6 KG



Made in Vietnam
TSCA Title VI Compliant

BOX 3A
Installation Instructions
Inside box 2

BOX 3
BRSLK-WT-TTL
MODERNE
WHITE



Watch our helpful installation video at WallbedGallery.com/video

TOP BED TRAY
Cubic Ft: 11.77
GW LBS: 99.2 LBS
GW KG: 46 KG



Made in Vietnam
TSCA Title VI Compliant

BOX 4A
Installation Instructions
Inside box 2

BOX 4
BRSLK-WT-BTL
MODERNE
WHITE



Watch our helpful installation video at WallbedGallery.com/video

BOTTOM BED TRAY
Cubic Ft: 11.77
GW LBS: 99.2 LBS
GW KG: 46 KG



Made in Vietnam
TSCA Title VI Compliant

BOX 5
Installation Instructions
Inside box 2

BOX 5
BRSLK-WT-OSKL
MODERNE
WHITE



Watch our helpful installation video at WallbedGallery.com/video

Lateral Desk Tray
Cubic Ft: 6
GW LBS: 56.22 LBS
GW KG: 25.5 KG



Made in Vietnam
TSCA Title VI Compliant

HELPFUL HINT:

Throughout the assembly of your Murphy Bed, you will find it helpful to refer to pages 30-34, where the contents of each bubble pack and hardware box are illustrated for easy reference.

TOOLS & THINGS YOU NEED TO SUPPLY:

- A cordless drill
- A #2 Phillips-head bit with a short extension
- A 1/8" drill bit
- An Electronic Stud Finder.
- A step ladder that can safely hold your feet 20" off the floor
- A pencil.
- A tape measurer
- A 1/2" wrench
- A 12mm wrench
(Please note that a 12mm wrench and a 1/2" wrench are not the same thing, you will need them both)
- A Queen-size mattress that is no more than 8" thick, weighing 60 to 80lbs no less than 60lbs

OTHER NOTES:

Please be aware that hardware parts will appear in each box as the Assembly Project progresses.

If and when parts are left over after completing a step, please lay them aside for use in a later step!

Please sift carefully through packing materials to make sure hardware packs don't go out in the trash.

HAVE FUN! – and call us if you need assistance at 714-455-7446.

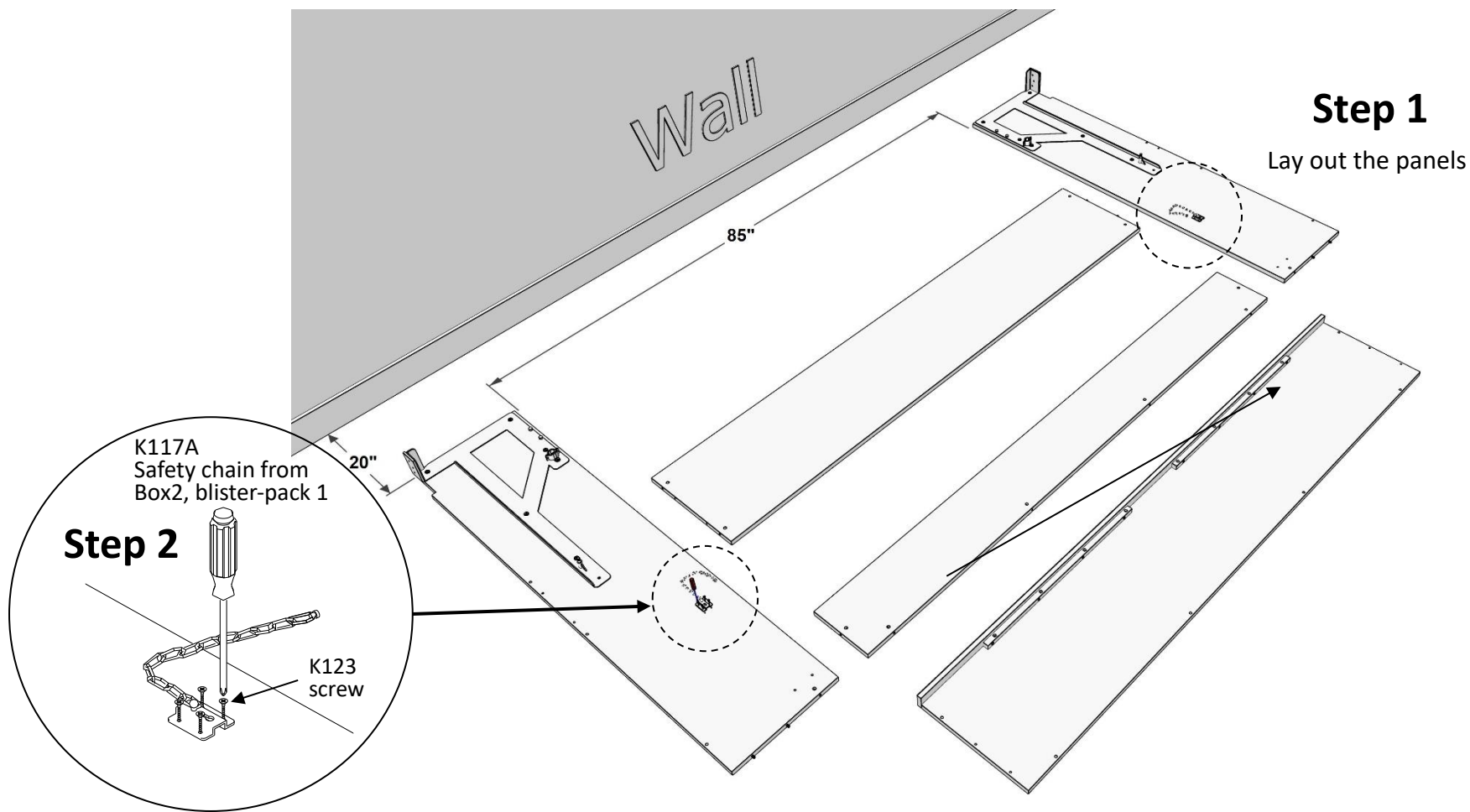
Getting Started:

Setting up the Bed Case – part A

Use Assembly parts from Bubble Pack #1 for the bed case assembly

Step 1: Open Box 1 & 2, and lay out the five panels as shown. Please keep the side panels separated by about 85" and placed 20" from the wall.

Step 2: Install the K117A safety chains on both side panels as shown using the K123 screws. The safety chains are in bubble pack #1 found in Box #2. The contents of Bubble Pack #1 are illustrated and can be viewed on page 31 of this assembly and installation guide.

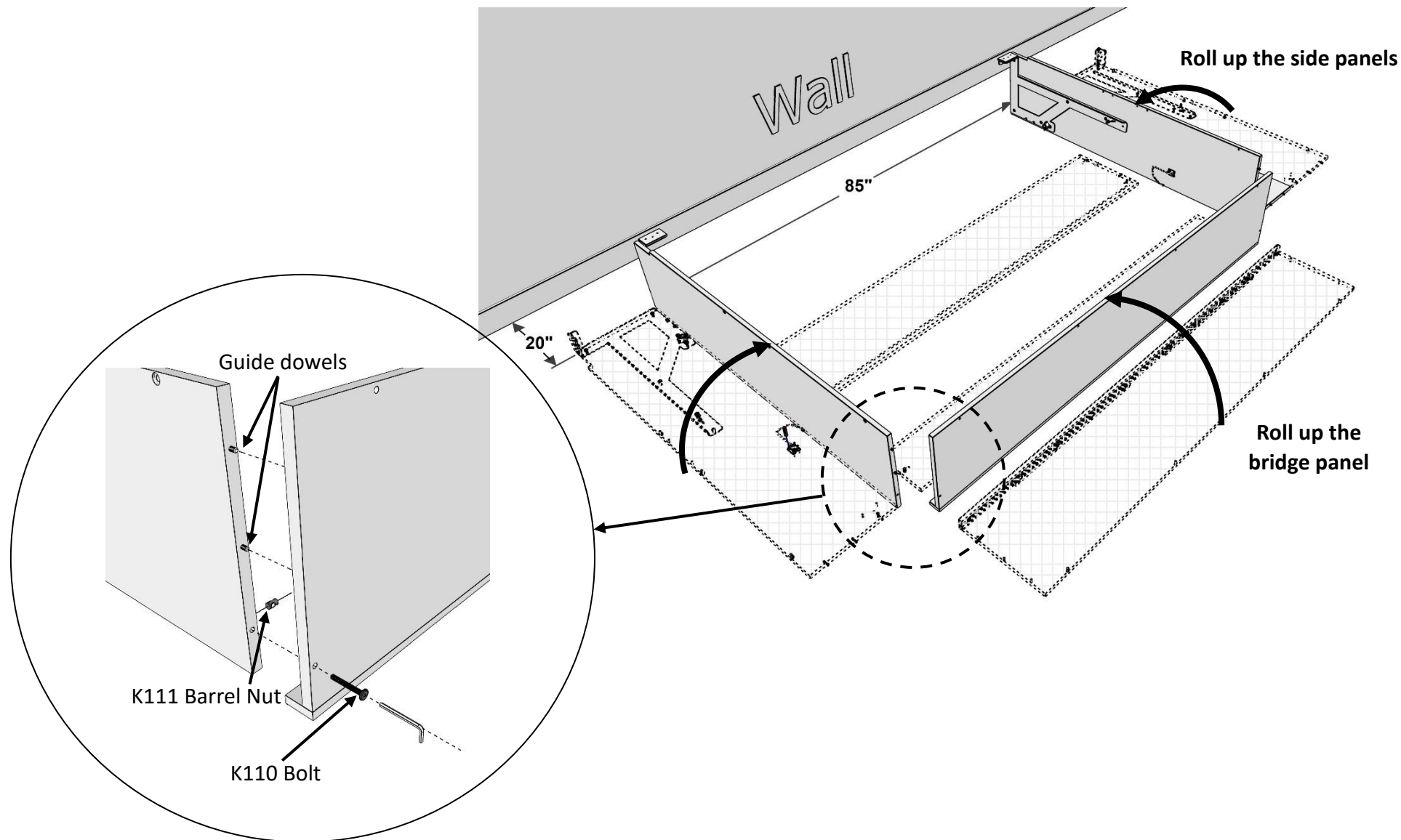


Setting up the Bed Case – part B

Use Assembly parts from Bubble Pack #1 for the bed case assembly

5

Step 1: Roll up the bridge panel on edge with the face molding toward the padded floor as shown. Roll the side panels up and slide the crown molding underneath the panels. The guide dowels will help you to join the panels together. Use a K110 bolt and K111 barrel nut from bubble pack #1 at each corner to connect the top bridge panel to the sides as shown.

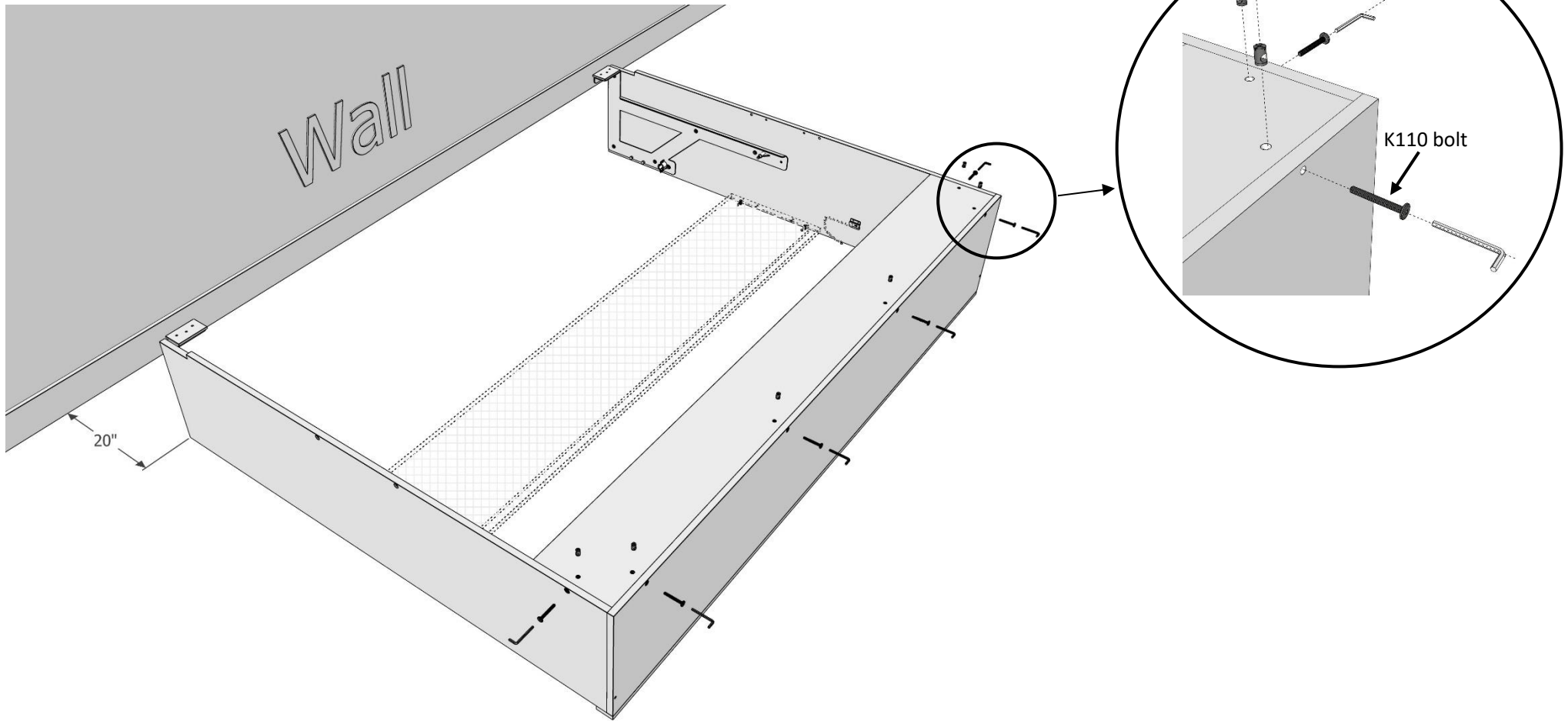


Setting up the Bed Case – part C

Use Assembly parts from Bubble Pack #1 for the bed case assembly

6

Step 1: Lift the top-back panel into position and connect it to the side panels and bridge panel with K110 bolts and K111 barrel nuts from bubble pack #1 as shown.



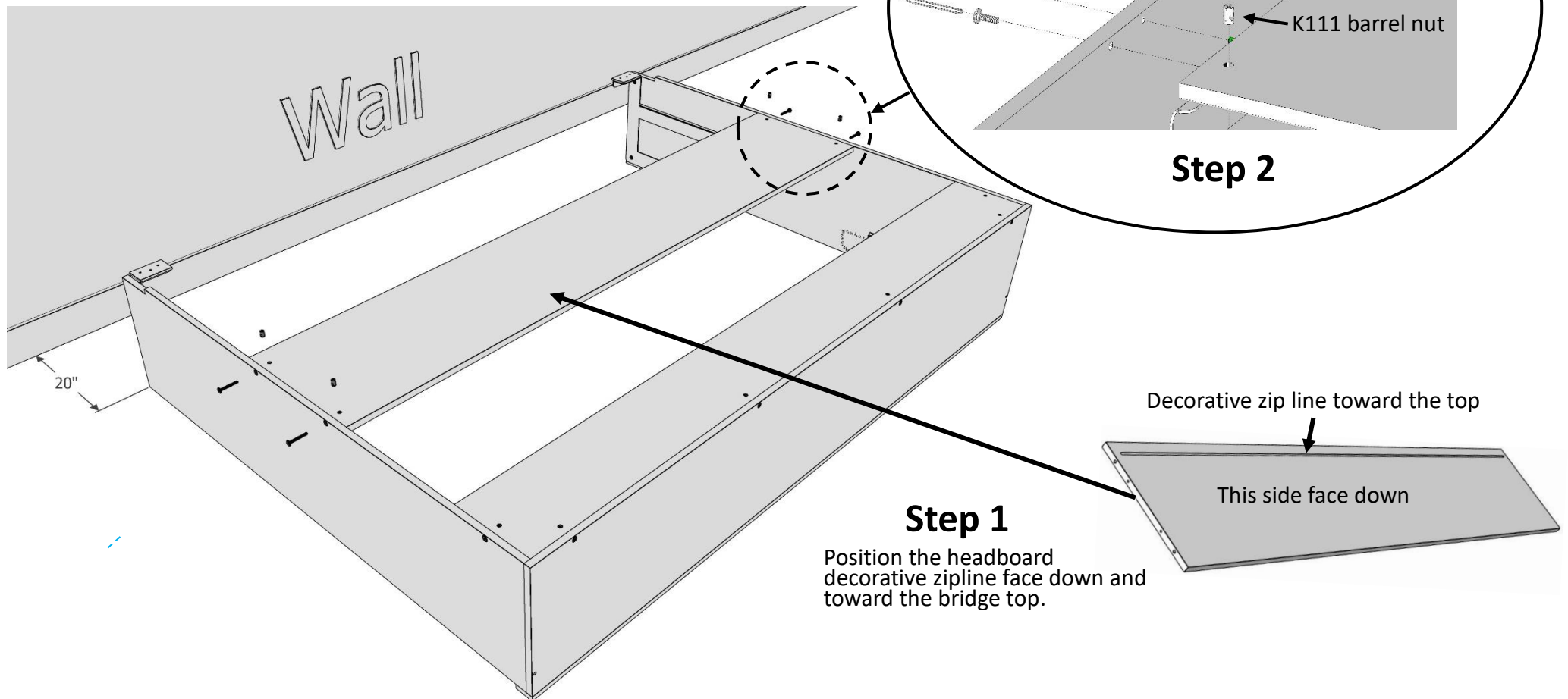
Setting up the Bed Case – part D

Use Assembly parts from Bubble Pack #1 for the bed case assembly

7

Step 1: Now lift the Headboard panel and join it to the side panels using guide dowels.

Step 2: Use K110 bolts and K111 barrel nuts from bubble pack #1 to connect the headboard to the side panels as shown.



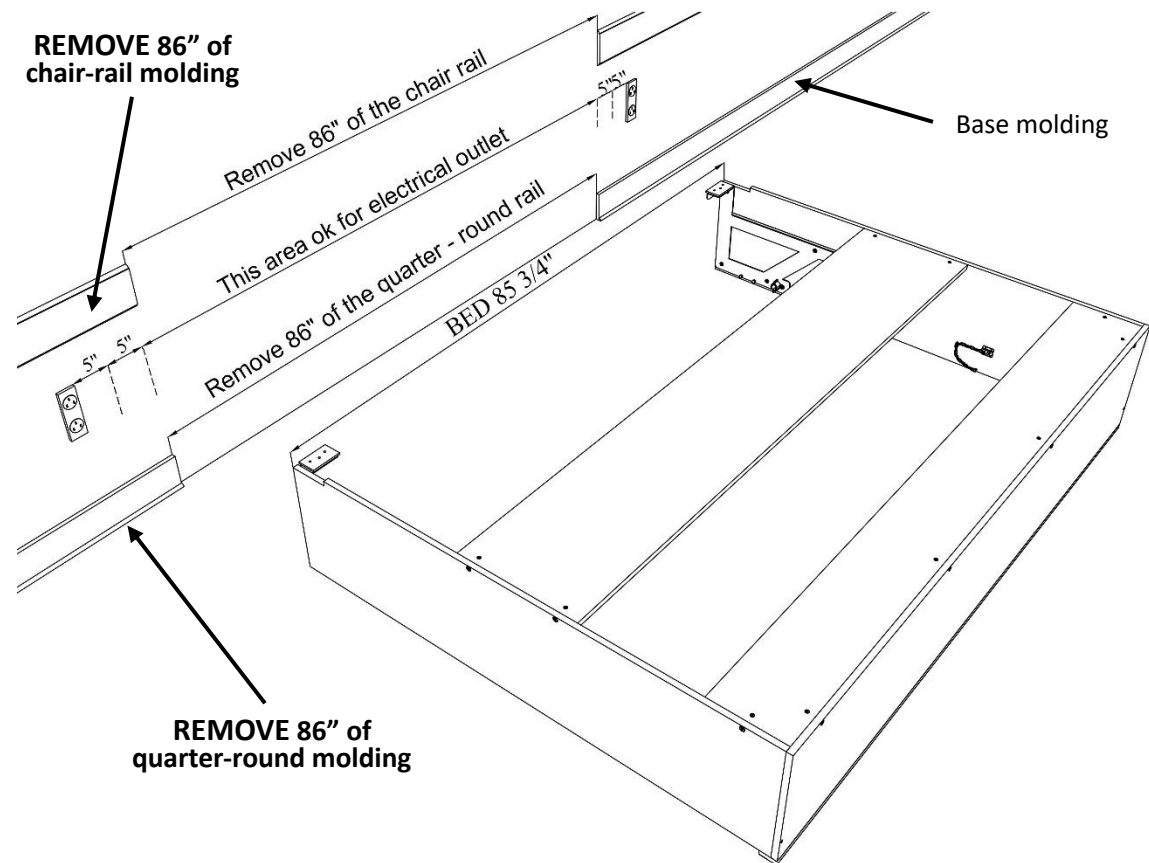
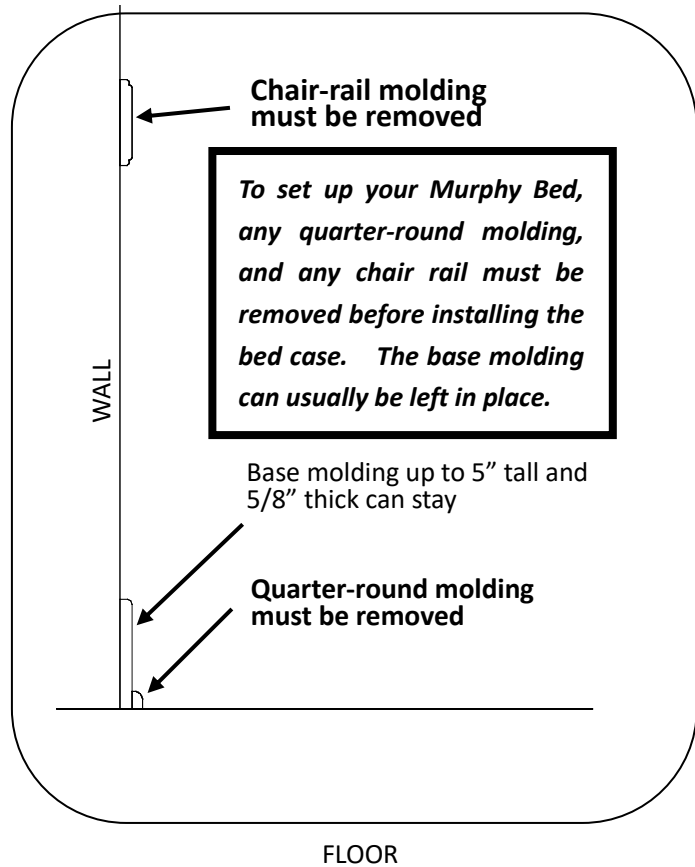
Preparing the wall for the Murphy-bed Case

Step 1: Identify the exact position you would like to set up your Murphy bed, and check the position of the nearby electrical outlets, if any.

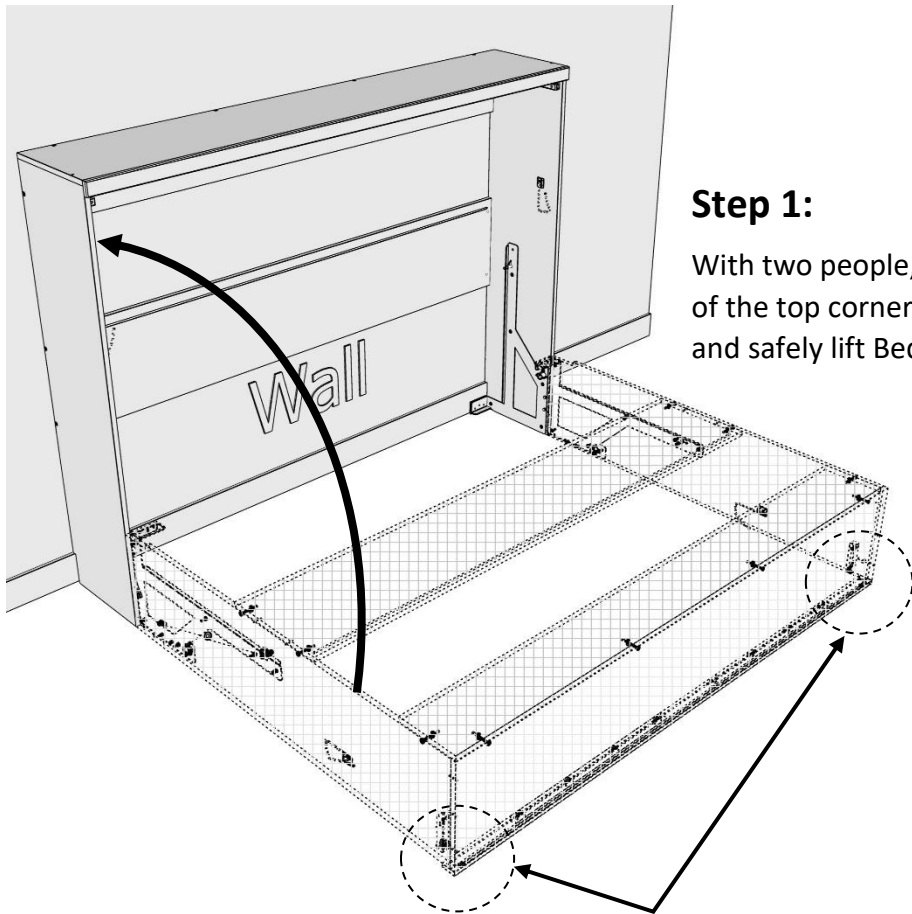
DANGER: Any electrical outlet must be at least 5" away in either direction from both Bed Case side panels.

Step 2: Once you have Identified the desired position to install your Murphy Bed, remove any chair rail molding and/or quarter round molding, if any, for a width of 86" to accommodate the 85.3/4" wide Bed Case. **It is imperative that these moldings be removed for a safe and secure connection to the wall!**

YOU CAN LEAVE THE BASE MOLDING ALONE IF IT IS 5/8" X 5" OR LESS

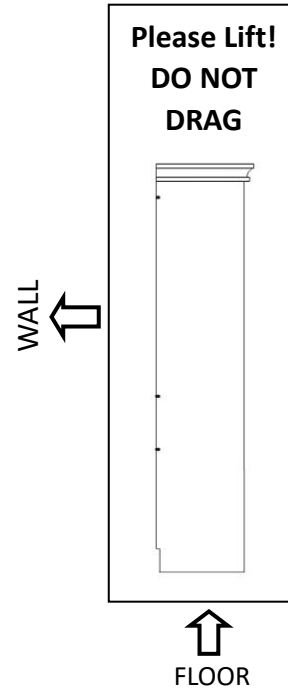


Standing the Bed Case up and moving it into position



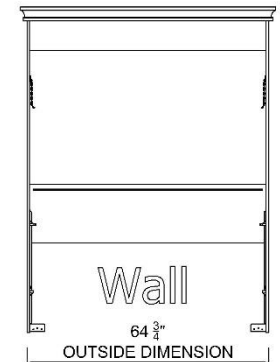
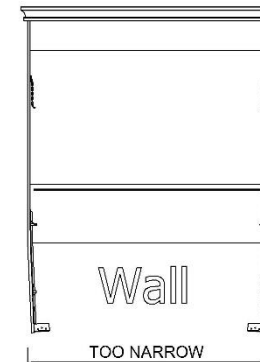
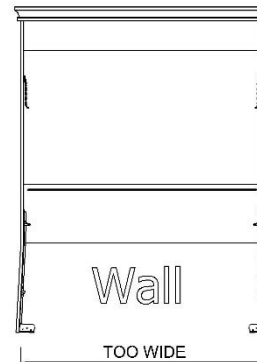
Step 1:
With two people, take hold of the top corners of the bed case and safely lift Bed Case upright.

Tilt the bed up from here



Step 2:
Lift and move the bed case into position against the wall. PLEASE lift and do not drag the bed case across the floor.

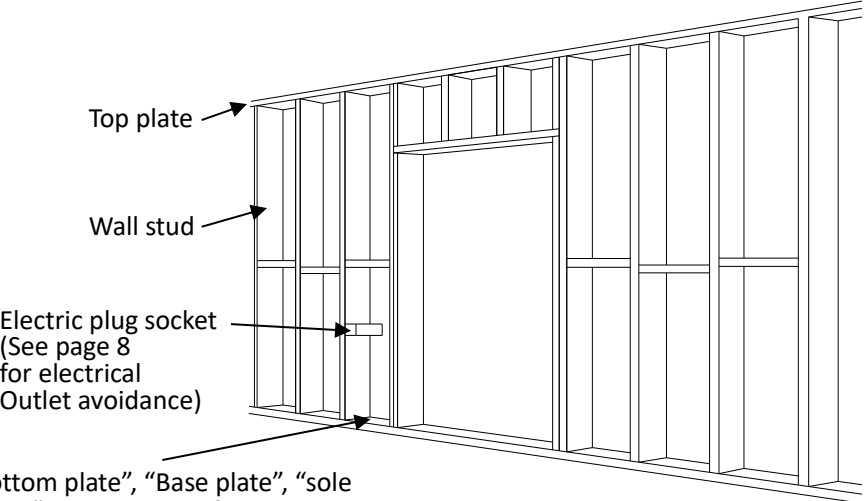
Step 3: Check the exterior measurement of the Bed Case side panels at the floor, and make sure it measures 85 3/4 inches, no more, no less.



Preparing to attach the bed case to the wall

Use Assembly parts from Bubble Pack #1 for the bed case assembly

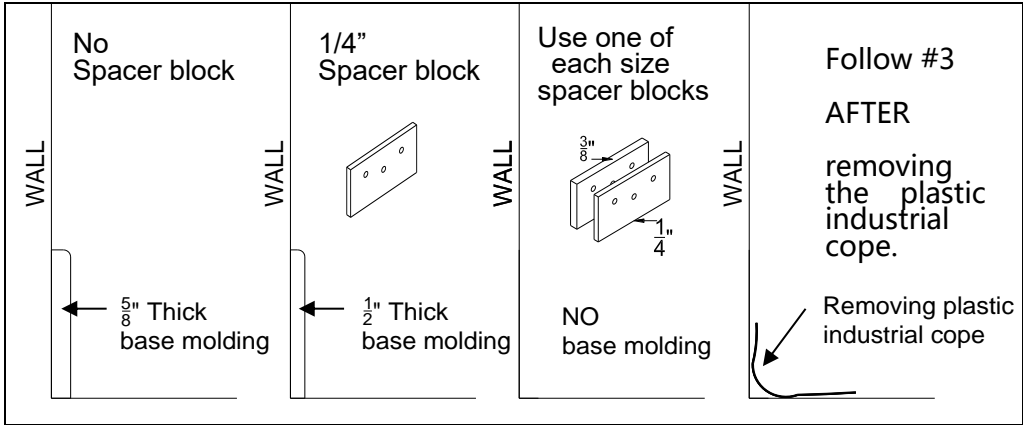
A QUICK PRIMER ON WOOD-FRAMED HOMES.



“Bottom plate”, “Base plate”, “sole plate”, are all names for this 2x4 that runs across the floor at the bottom of a wall.

HOW TO USE SPACER BLOCKS – IF NEEDED

- ①
- ②
- ③
- ④



HELPFUL HINT
 If your wall is brick or concrete block (not built with a wooden frame and drywall) please refer to page 35 for more information about installation into non-wooden structures.

OUR TARGET IS THE BASE PLATE

IF YOUR BASE MOLDING IS SOLID WOOD PLEASE USE A 1/8" DRILL BIT TO PRE-DRILL THROUGH THE BASE MOLDING ONLY (NOT BASE PLATE) TO REDUCE THE CHANCE OF SPLITTING YOUR BEAUTIFUL WOOD MOLDING

Marking Studs, measuring width one last time, and driving long screws into the base plate.

Use Assembly parts from Bubble Pack #1 for the bed case assembly

STEP 1:

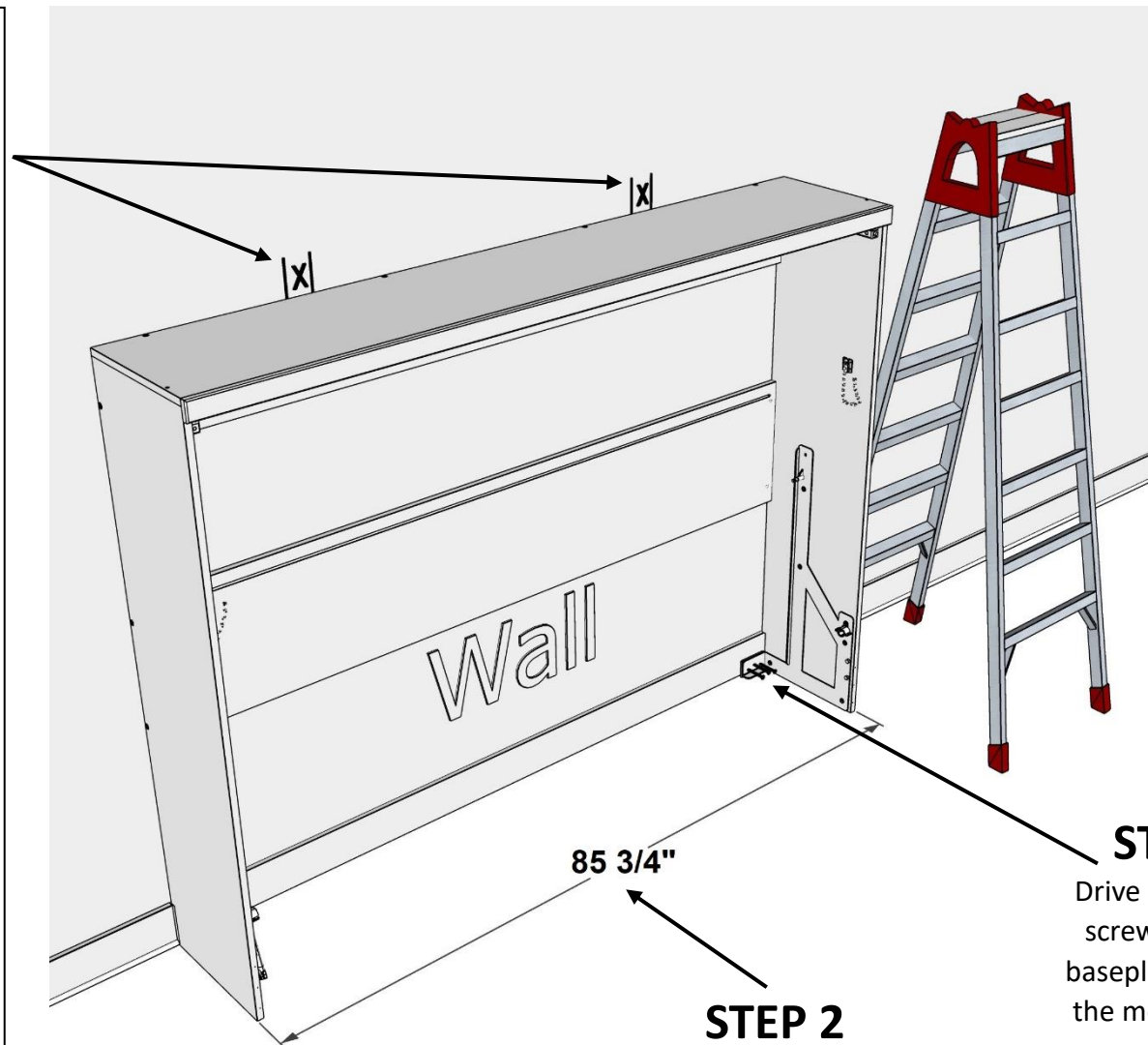
WITH YOUR STUD-FINDER, LOCATE AND **MARK THE CENTER** OF TWO STUDS WITH A PENCIL. THE STUDS WILL BE ROUGHLY THREE FEET APART FROM EACH OTHER DEPENDING ON YOUR LOCAL BUILDING CODES. WE WILL USE THESE MARKS IN A LATER STEP.

STEP 2:

MEASURE THE OUTSIDE DIMENSION AT THE FLOOR AND MAKE SURE THE SIDE PANELS ARE 85 3/4" APART. NO MORE AND NO LESS

STEP 3:

USING THE SPACER BLOCKS IF REQUIRED, AS SHOWN ON PAGE 10, USE YOUR DRILL-GUN WITH A #2 PHILLIPS BIT TO DRIVE THE K119 SCREWS, FROM BUBBLE PACK #1, **AT A 10 DEGREE DOWN-ANGLE** TO ATTACH METAL FRAME TO THE WALL (DIAGRAM ON PAGE 10).



STEP 1

USE A STEP LADDER THAT WILL SAFELY ALLOW YOU TO MARK TWO STUD LOCATIONS

STEP 3

Drive three K119 screws into the baseplate through the metal frames on each of the side panels

STEP 2

Confirm the measurement

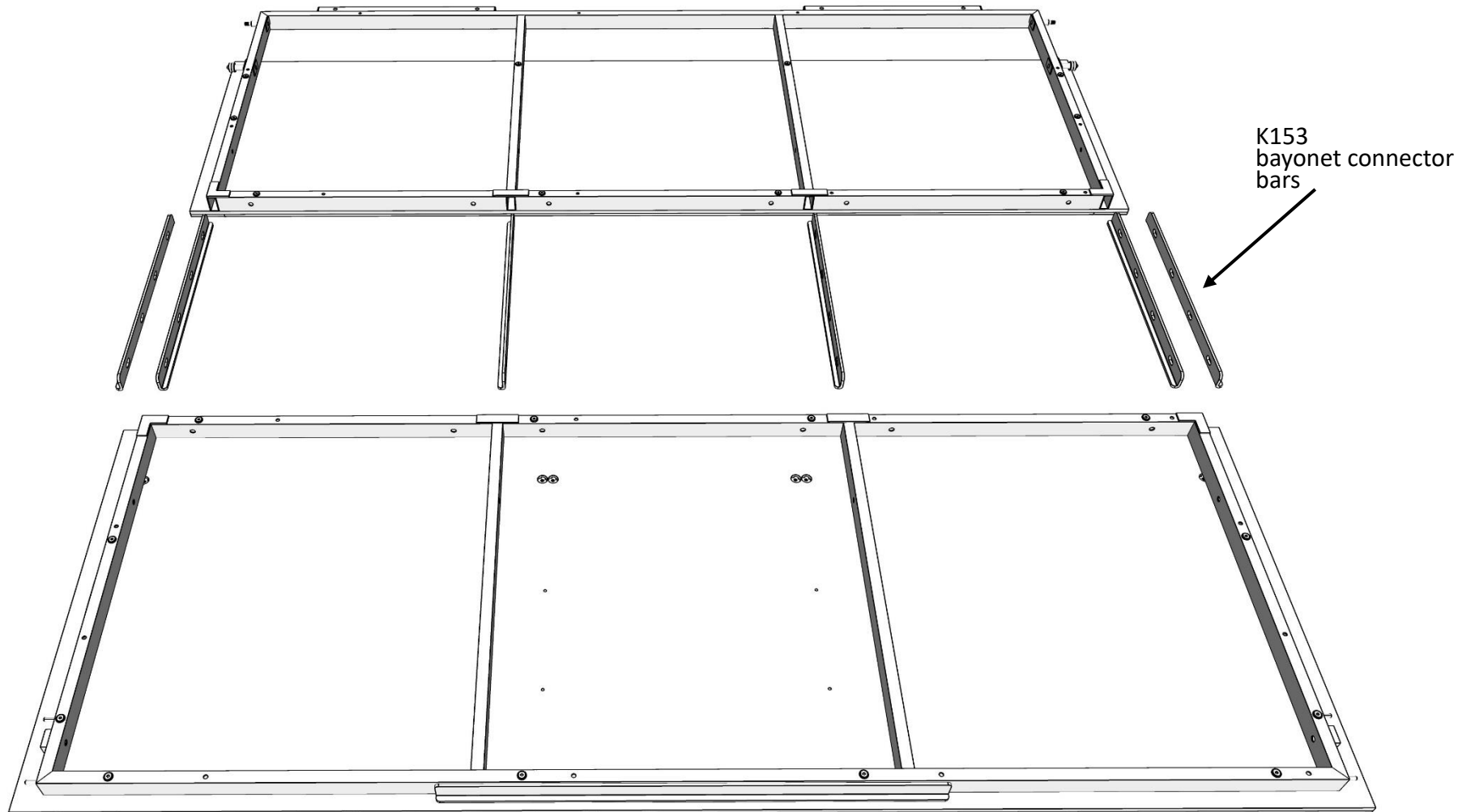
Setting up the Bed Tray – Part A

Use Assembly parts from Bubble Pack #2 for the bed tray assembly

12

STEP 1: Open boxes #3A and #4A and lay out the contents as shown below with the wood face of the bed tray face-down on the carpet/blankets/etc.

STEP @: Lay out the six K153 Bayonet Connectors as shown below. There are three each of the bayonet connectors found in the hardware boxes inside box 3A and three more in box 4A.

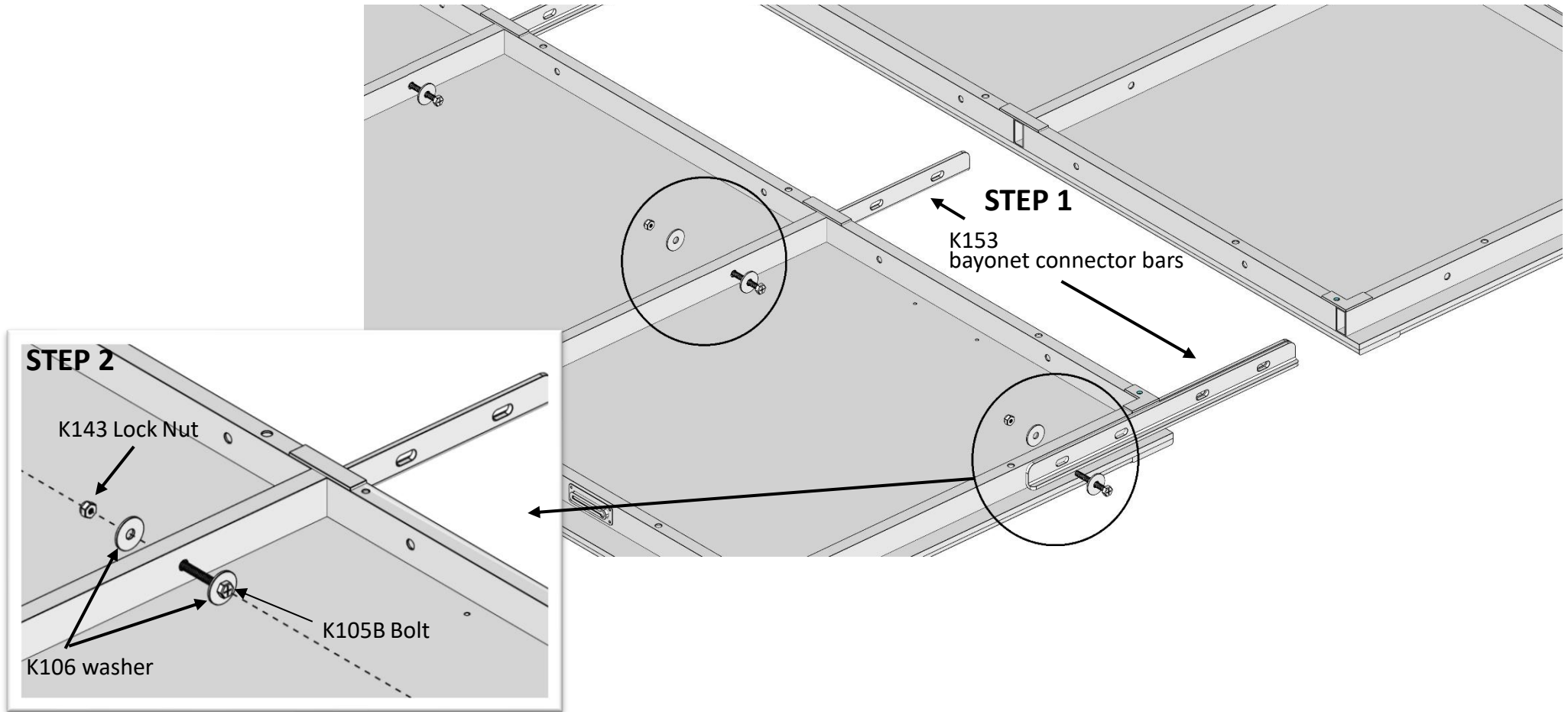


Setting up the Bed Tray – Part B

Use Assembly parts from Bubble Pack #2 for the bed tray assembly

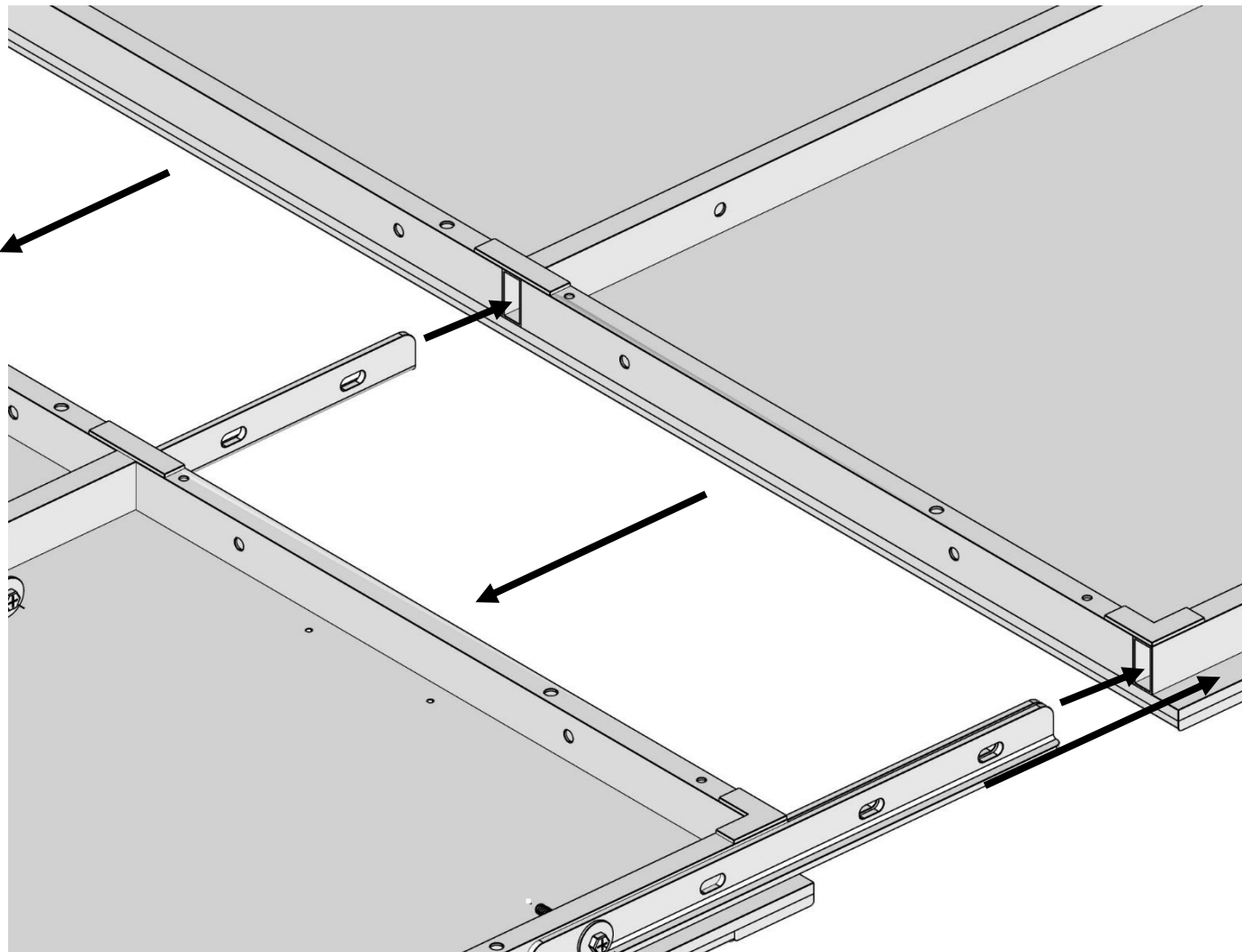
STEP 1: Insert the K153 Bayonets halfway into the metal frame of the top bed tray. On each side, you will install two bayonets. One will insert inside the metal bed frame, and one will be mounted on the outside of the metal frame

Step 2: Insert a K105B bolt (*use the 12mm wrench*) with a K106 washer into the frame hole and wiggle the bayonet until the bolt passes through the other side of the frame. Now add one more K106 fender washer and the K143 lock nut (*use the ½" wrench*) and snug it up. Snug is all you need, they will still wiggle slightly, don't over tighten them!



STEP 3:

Now slide the left and right tray frames together while guiding the exposed end of the bayonets into the opposite frame. On the sides of the frame, there are two connector bayonets, only one bayonet can be inserted into the opposite side, the outer bayonet slides over the outer side of the opposing frame.



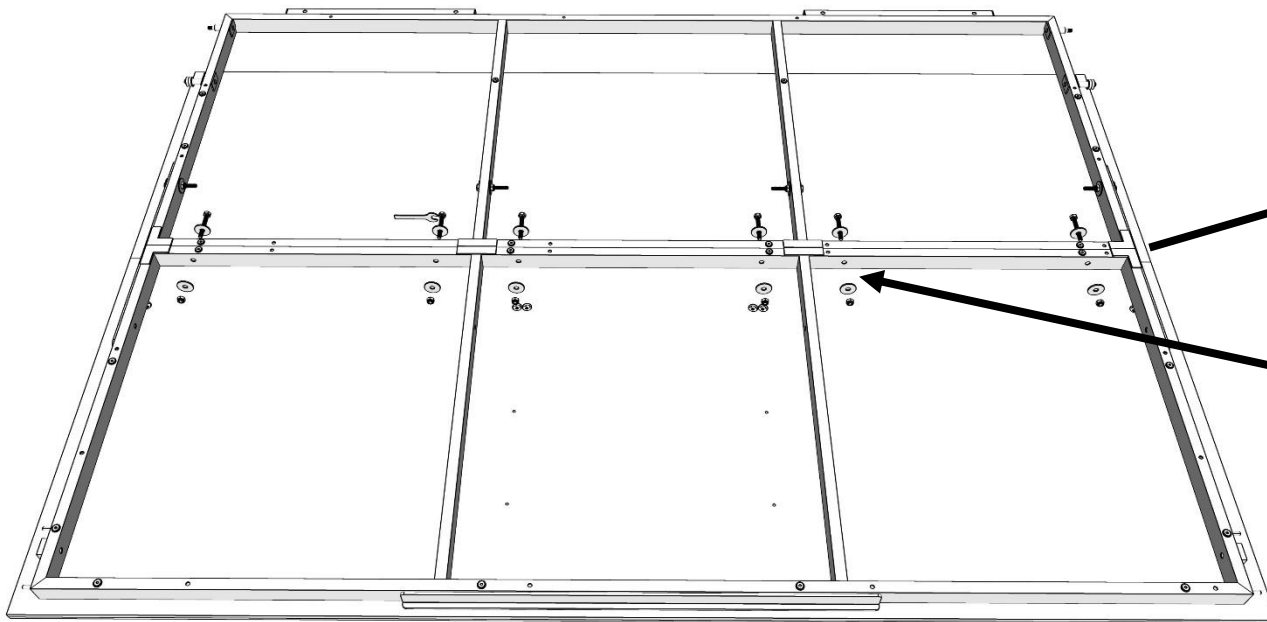
Setting up the Bed Tray – Part C

Use Assembly parts from Bubble Pack #2 for the bed tray assembly

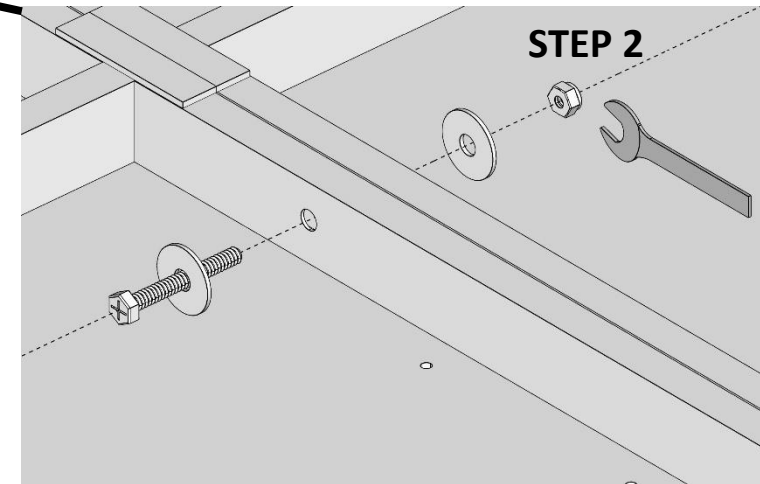
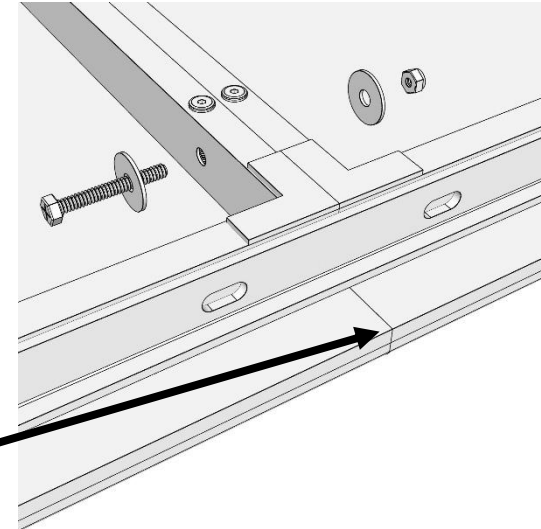
STEP 1: Check that the tray panels are flush at the sides

Step 2: Insert the K105B bolts with a K106 washers through the frame holes joining the left and right bed tray together.

Now add one more K106 washer and the K143 lock nut and snug them up.



STEP 1

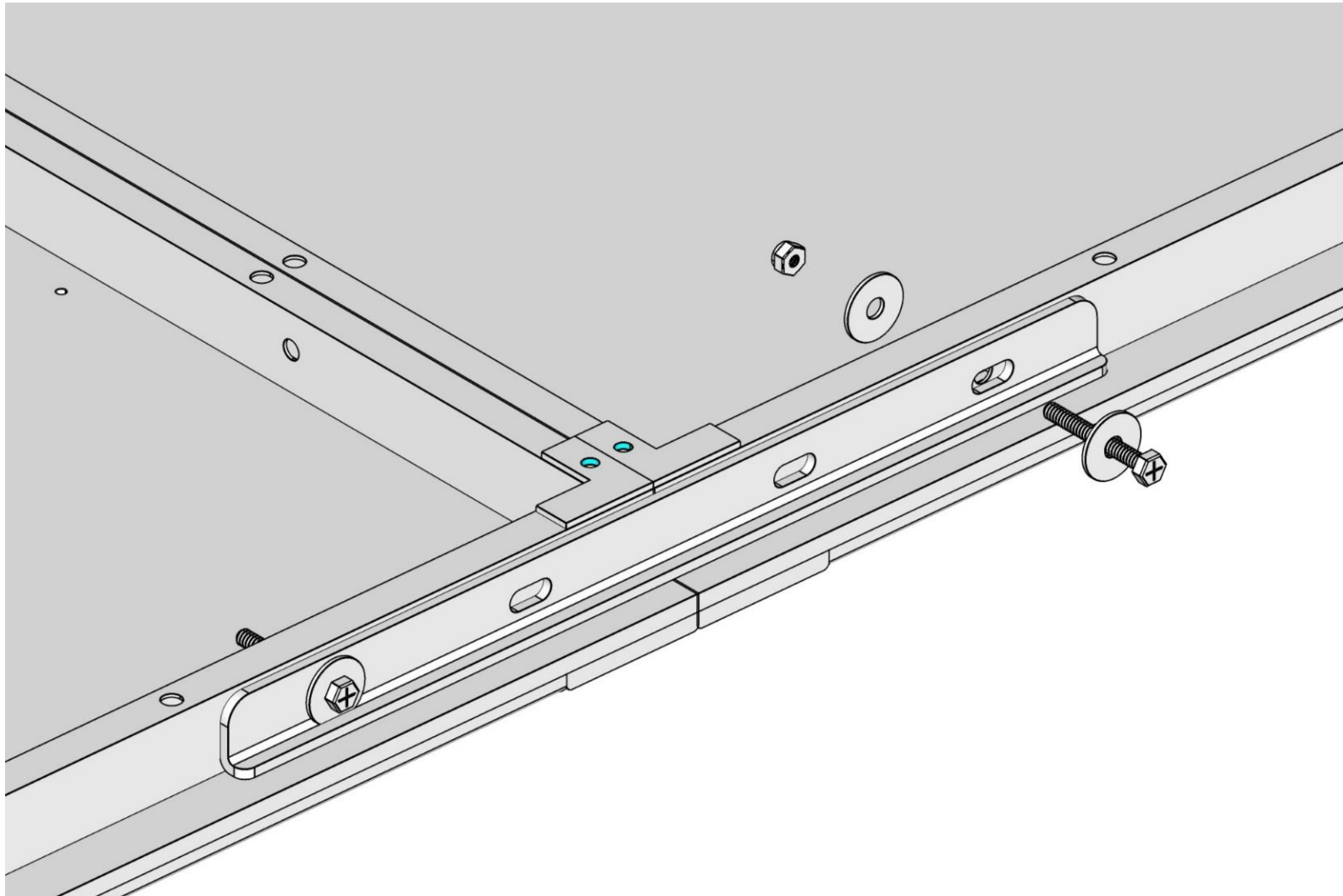


Setting up the Bed Tray – Part D

Use Assembly parts from Bubble Pack #2 for the bed tray assembly

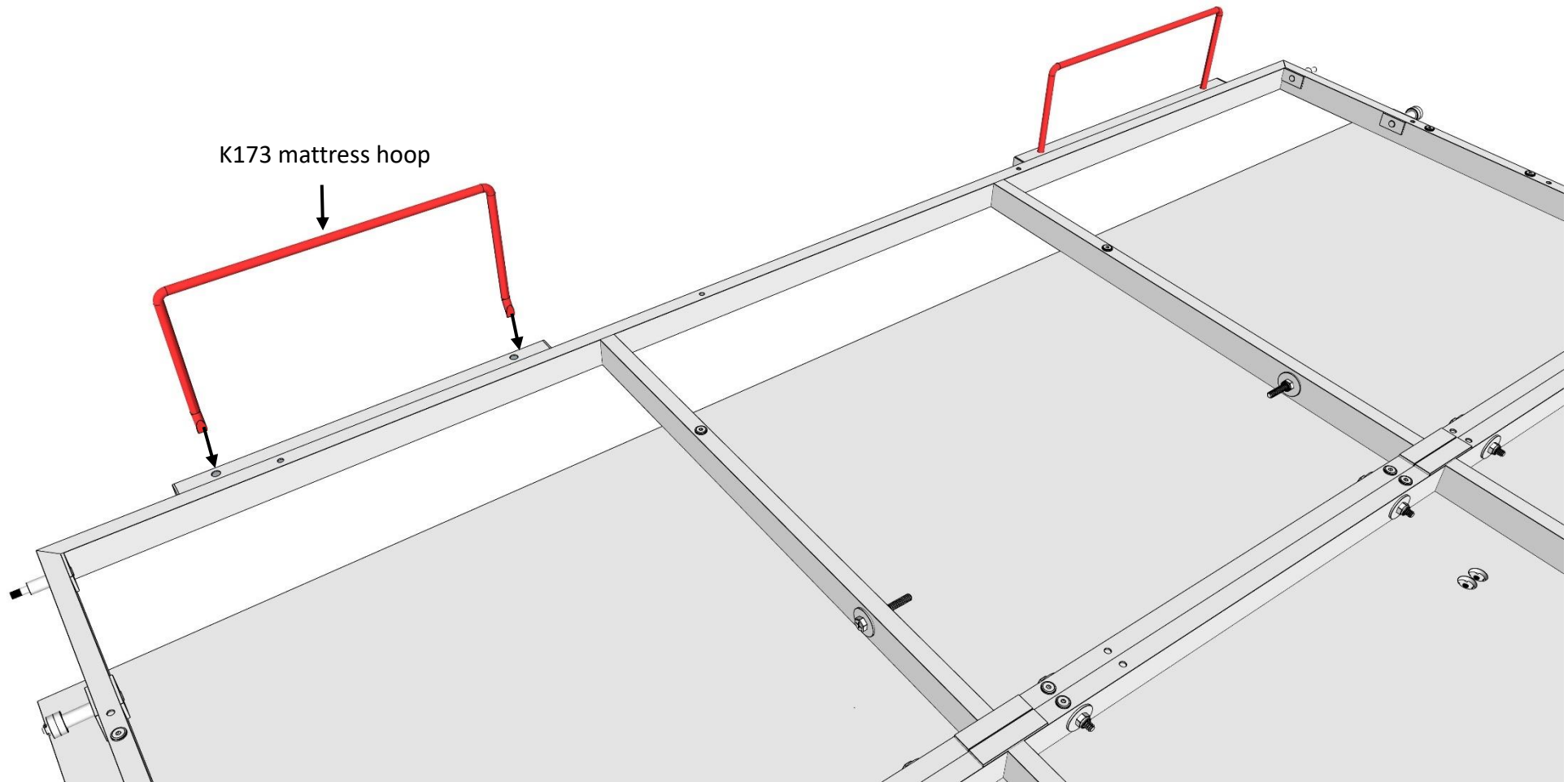
16

STEP 1: On both sides of the bed tray frame, insert the K105B bolts with a K106 washers through the open hole on the K153 bayonet connection bars, add one more K106 washer and the K143 lock nut and snug them up. The bed tray is now assembled. Good Job!



Installing Mattress Hoops

STEP 1: Get both K154 mattress hoops from hardware boxes inside box 3A and 4A and insert them into the holes at the end of the bed tray frames that are closest to the wall.



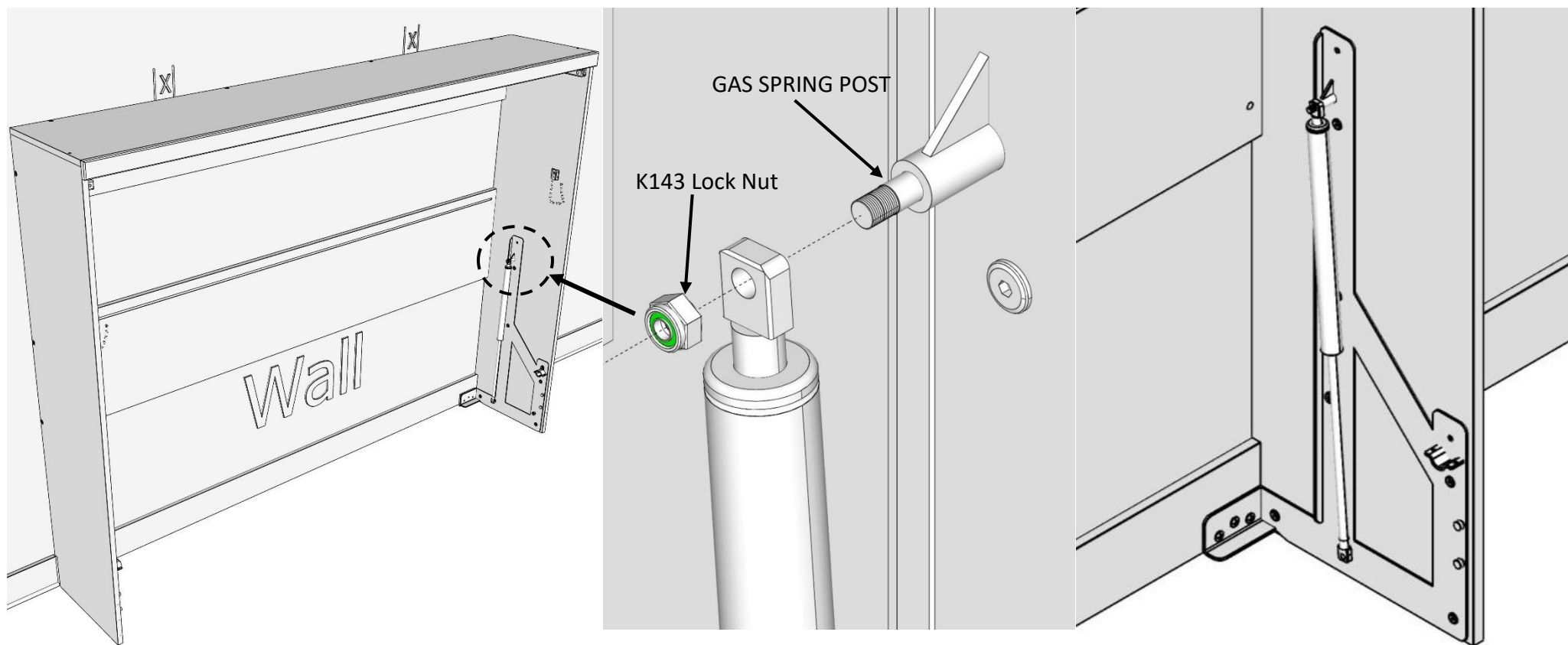
Attaching the gas springs to the side frame.

Use Assembly parts from Bubble Pack #2 for the bed tray assembly

18

STEP 1: Remove from the hardware boxes, located in BOX 3A and BOX 4A, both K114C gas springs. With the larger, barrel end, upward, slide them onto the gas spring post on the metal side frame located on each of the side panels of the bed case.

STEP 2: Gather two of the K143 lock nuts from bubble pack #2 and partially attach them to the gas spring post. Tighten them by hand only, don't tighten them completely just yet. At this stage, the gas springs be able to move freely. We'll come back to finish tightening them in a later step.

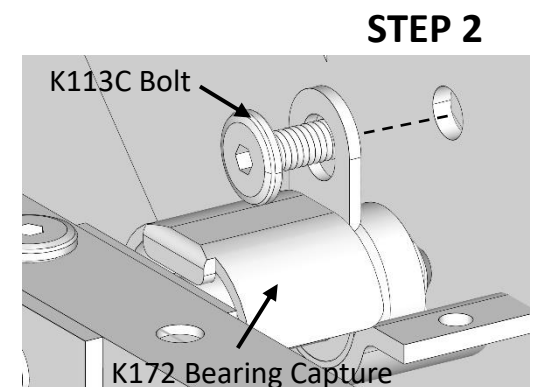
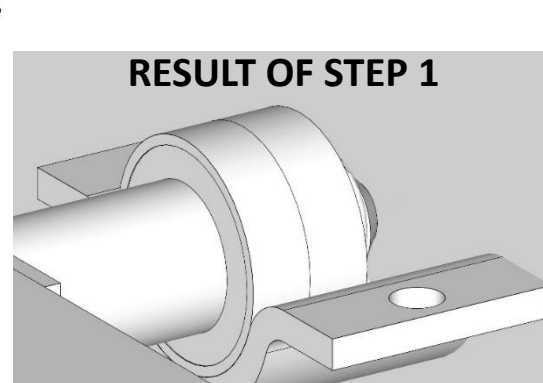
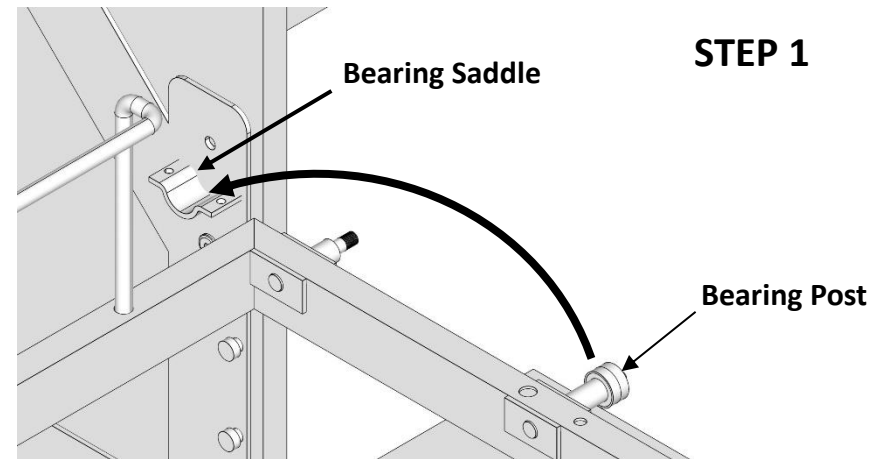
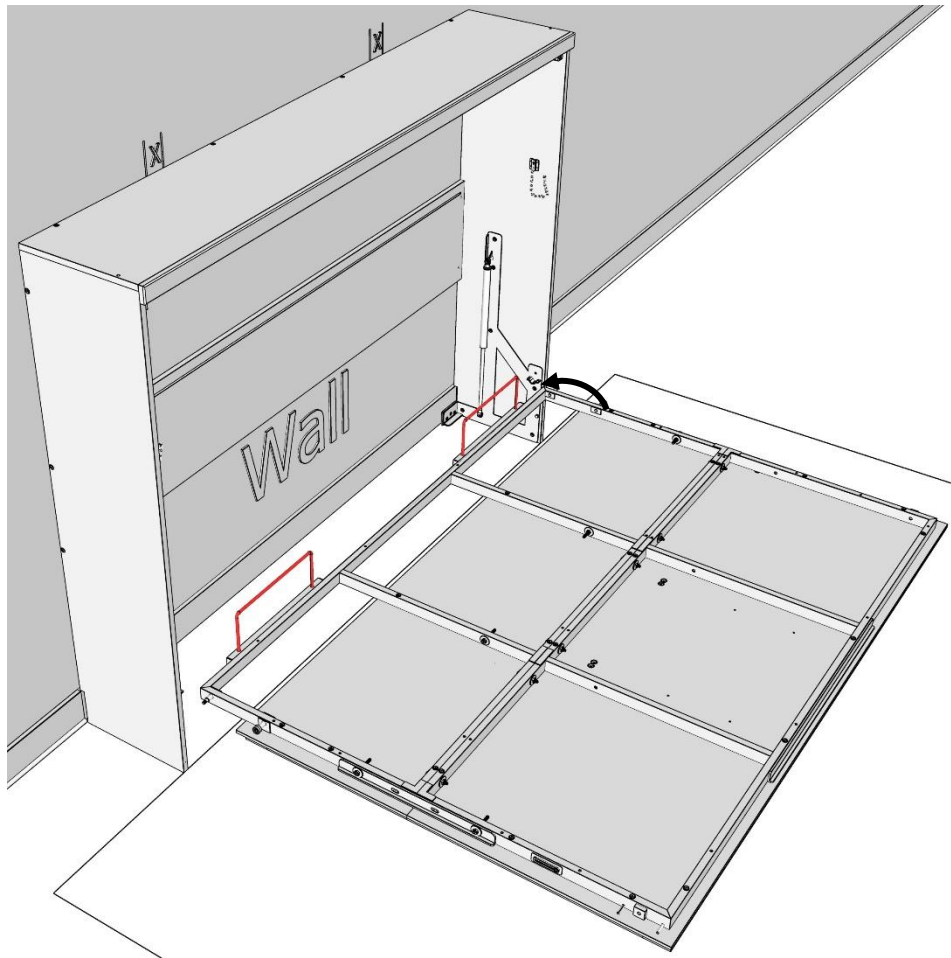


Lifting the Bed Tray Bearing Posts onto the Bearing Saddles and installing the Bearing Captures

Use Assembly parts from Bubble Pack #2 for the bed tray assembly

Step 1: With one person on each side of the bed about in the middle, carefully lift the bed tray and set the Bearing posts into the saddle on each side of the bed. Make sure the bearing post gap is equal on each side. The key thing here is to take your time and get lined up right so you can limit the possibility of damaging the wood Bed Tray Face or the interior finish of the Bed Case.

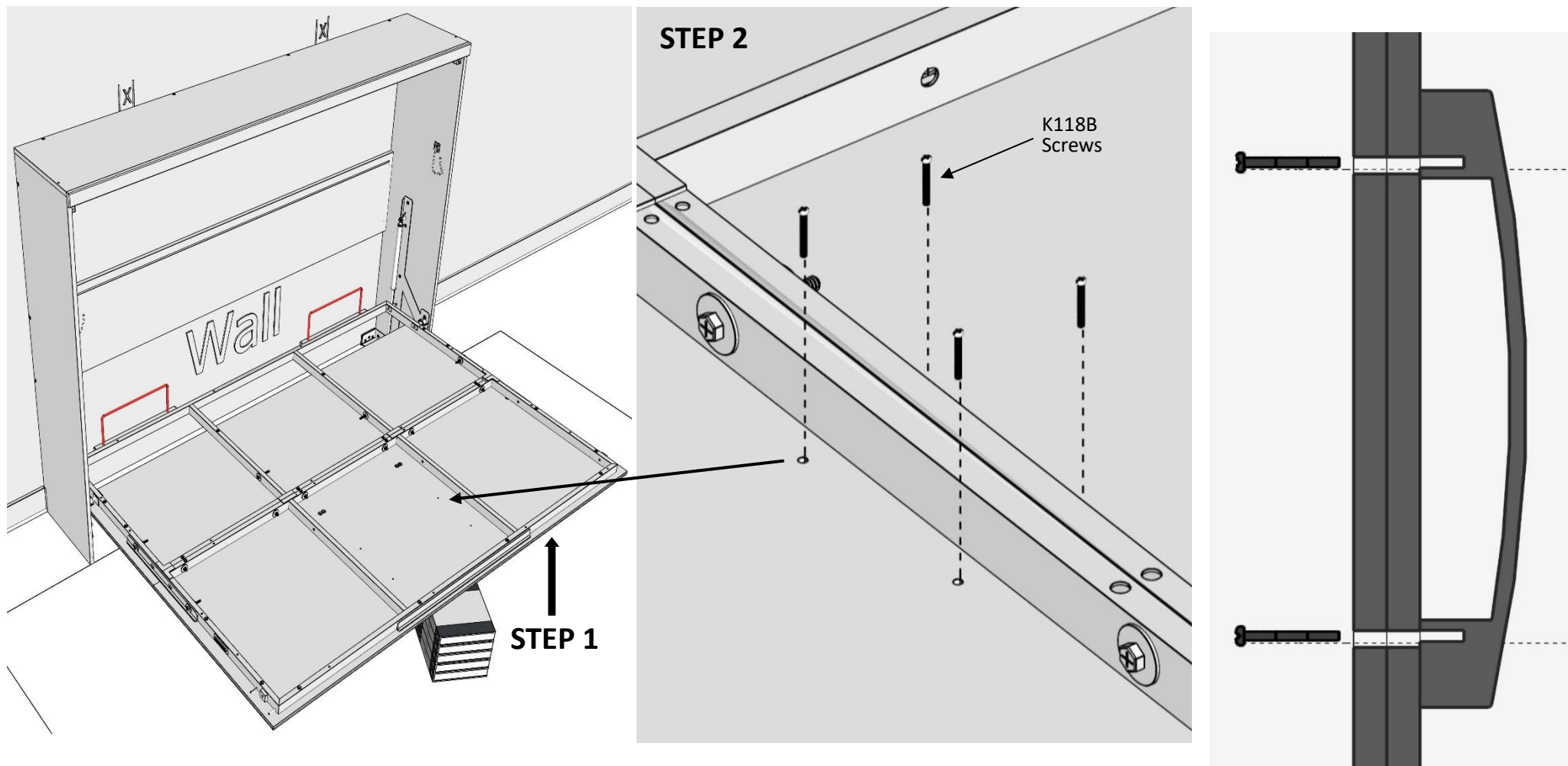
Step 2: Once both bearing posts are in the saddles, install the K172 bearing captures onto the bearings using the K113C bolt.



Attaching the Tray Handles

Step 1: Prop up the foot end of the bed tray with some books or pillows or something to give you easy access to the bed tray face.

Step 2: Install the MDHL handles to the bed tray using four K118B screws from the hardware boxes found in boxes 3A and 4A. Insert the screws through the pre-drilled holes on the face of the bed tray and snug them up.



Complete the connection of the Gas Springs – Part A

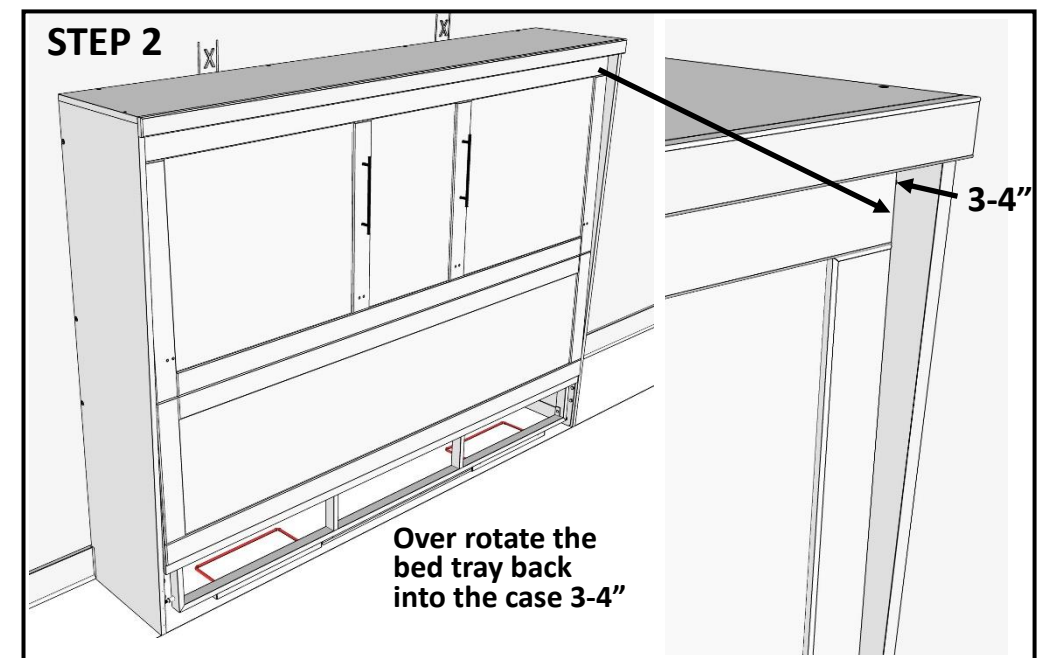
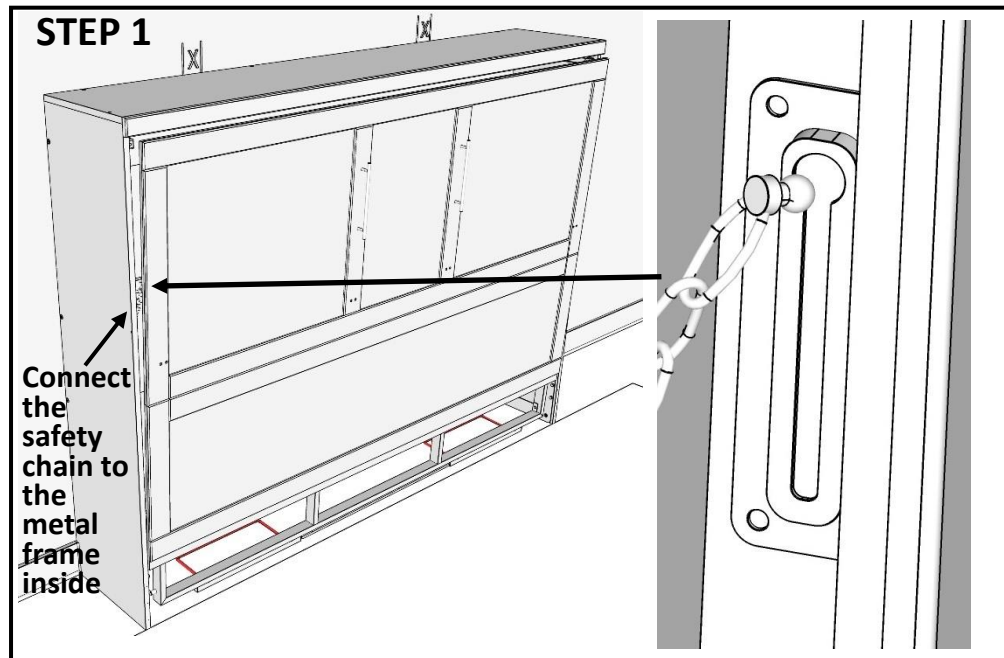
21

SAFETY WARNING!

The purpose of the Gas Spring is to “counter-balance” the weight of the mattress by applying upward force, and thereby making the bed tray “feel lighter” when you lift it to close the bed. It is **IMPERATIVE** that you follow the instructions on page 26 carefully, and that you **NEVER** remove the mattress without two people – one of whom will hold the bed tray down whenever the mattress is removed. **FAILURE TO HEED THIS WARNING CAN RESULT IN PRODUCT DAMAGE AND/OR INJURY!**

STEP 1: Attach one of the safety chains

STEP 2: Over-rotate the bed tray back into the bed case about 3” or 4” to allow the bottom eye of the gas spring head to align with the gas spring post on the metal bed frame (See page 22).



Complete the connection of the Gas Springs – Part B

Use Assembly parts from Bubble Pack #2 for the bed tray assembly

22

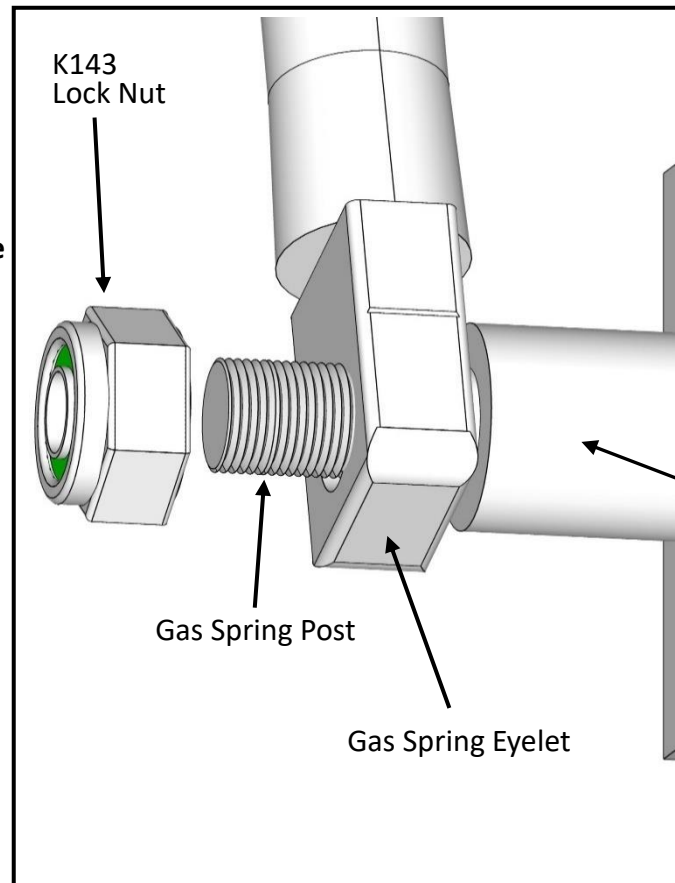
STEP 1: Reach under the bed tray through the open space at the bottom and connect the eyelet on the gas spring onto the gas spring post on the bed tray frame. You may need to have your assistant move the bed tray in or out a little to allow the gas spring eyelet to align with the gas spring post.

Step 2: Install the K143 lock nuts onto the gas spring posts on each side of the bed. Snug them up using a ½" wrench or the K161A wrench supplied in bubble pack #2.

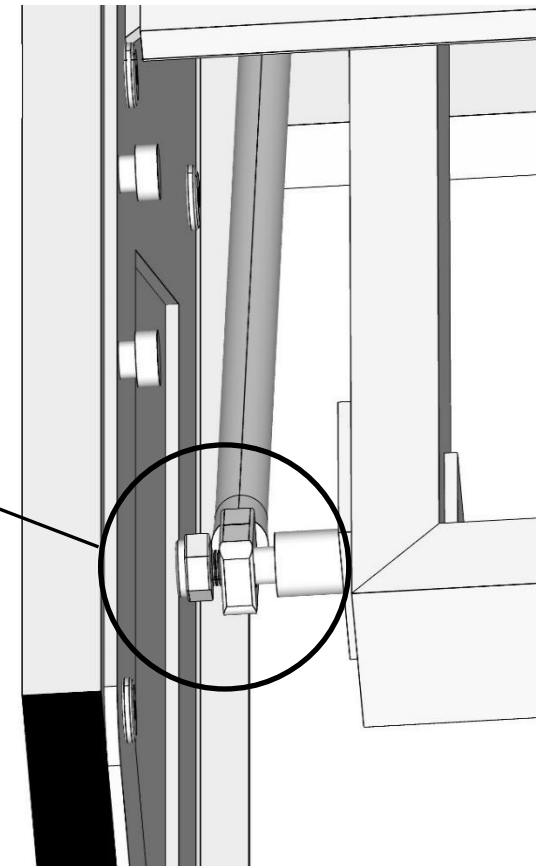
STEP 1



STEP 2



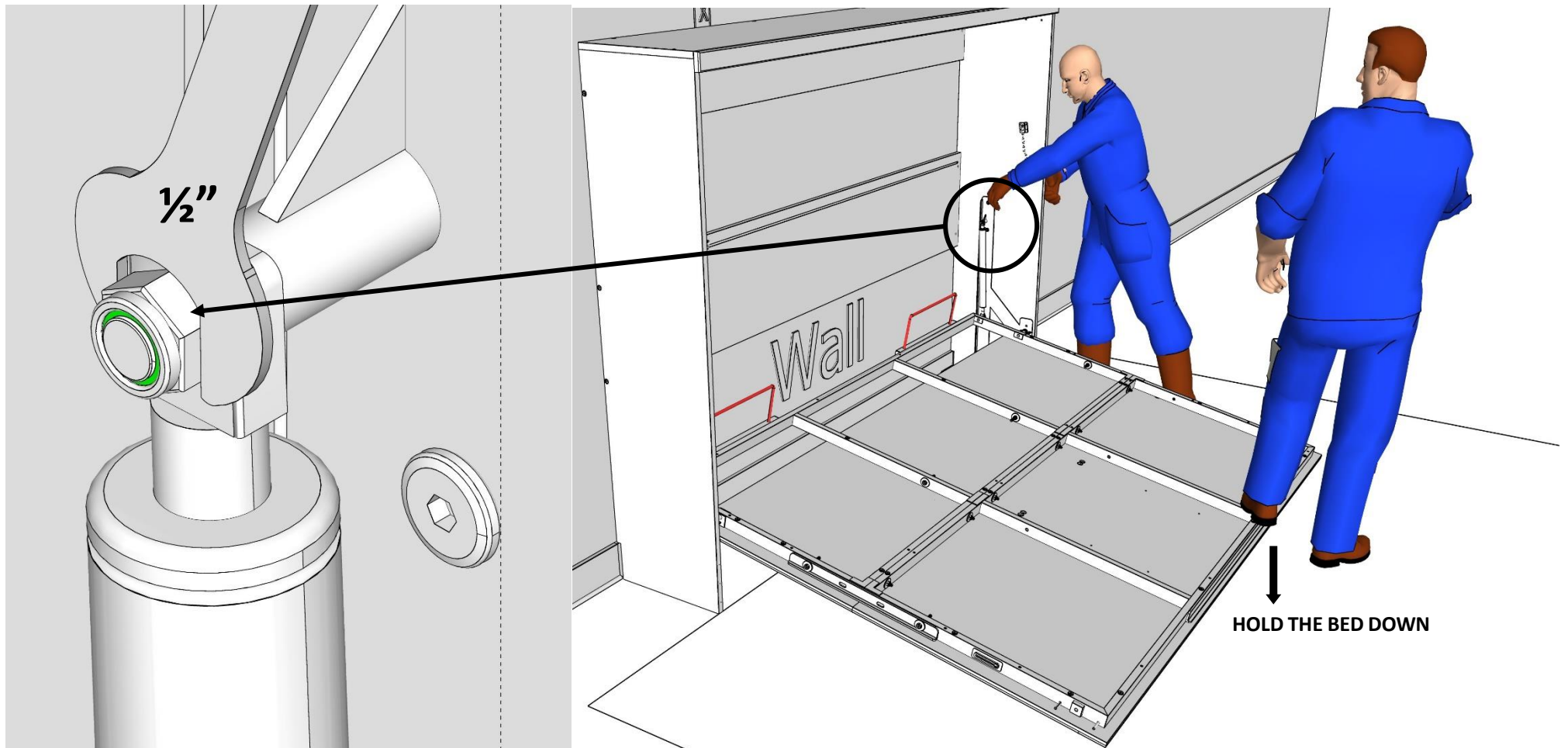
RESULT



Complete the connection of the Gas Springs – Part C

STEP 1: WITHOUT DELAY!

NOW, WHILE ONE PERSON HOLDS THE BED DOWN, THE OTHER PERSON MUST FULLY TIGHTEN THE LOCK NUT YOU HAND TIGHTENED EARLIER ON THE TOP GAS SPRING POST. USE A ½" WRENCH OR THE K161A WRENCH SUPPLIED IN BUBBLE PACK #2

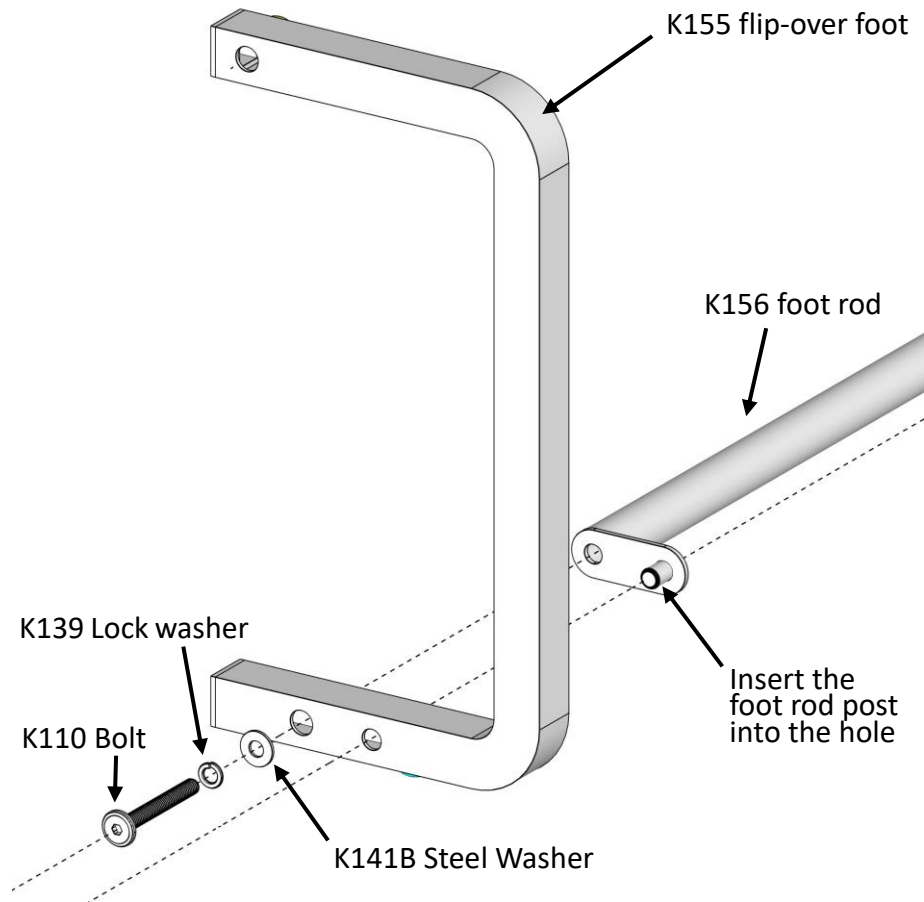


Installing the flip-over Foot Rod

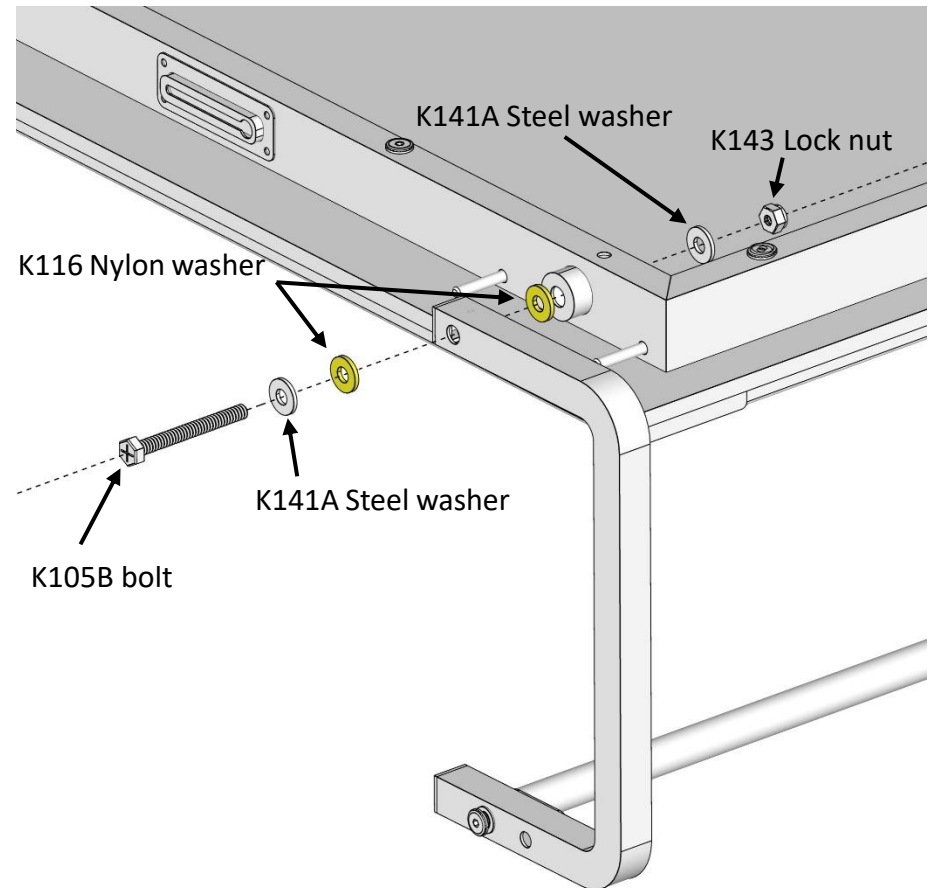
Use Assembly parts from Bubble Pack #2 for the bed tray assembly

HELPFUL HINT: The flip-over legs are in the Hardware box found inside Box #3A and 4A and the foot rod was held aside from Box #2.

STEP 1: Connect the flip-over feet to the foot rod.



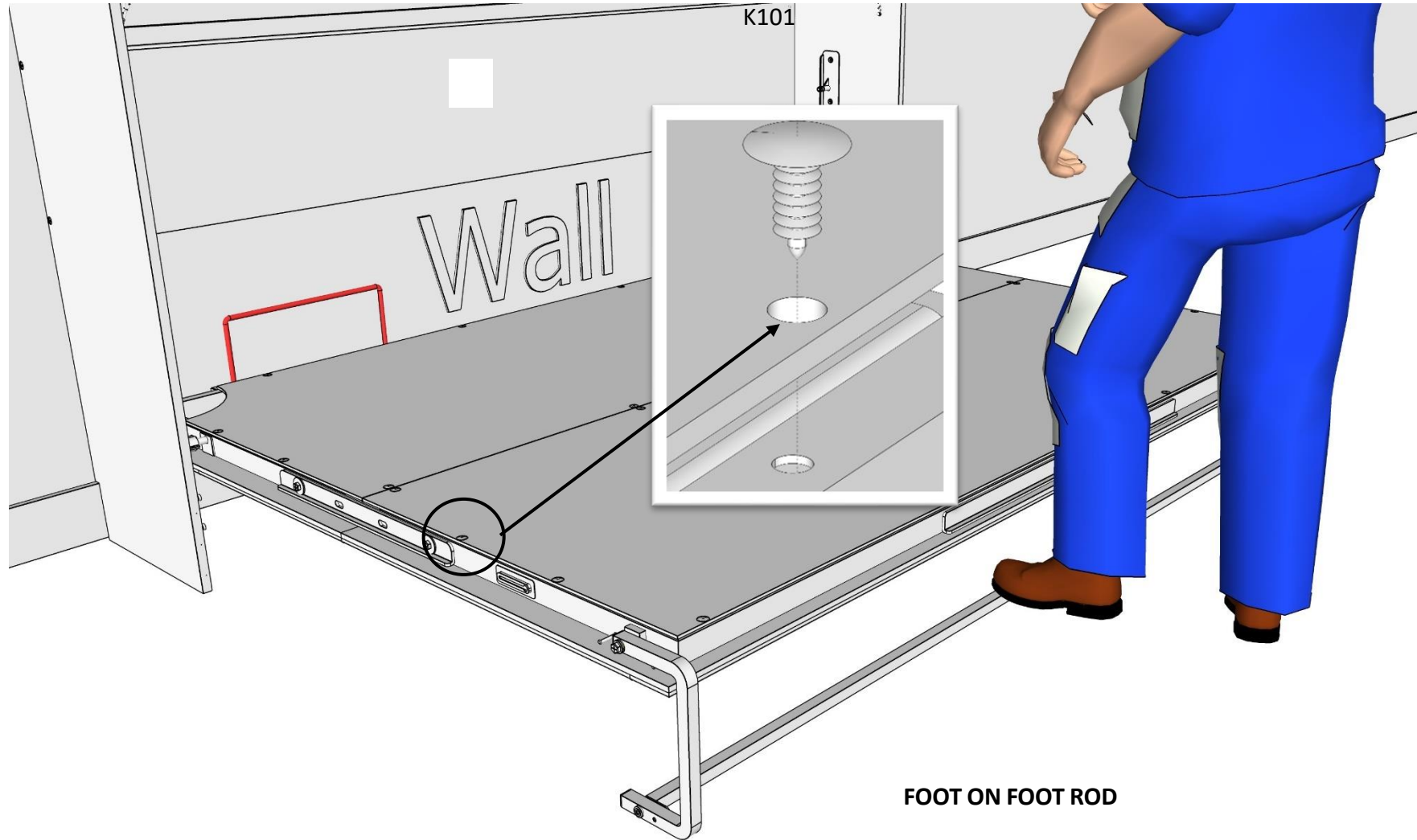
STEP 2: Connect the flip-foot assembly to the bed frame as shown – **BE CAREFUL TO PUT THE WASHERS IN THE CORRECT POSITIONS** – Tighten securely - but leave enough “play” that the foot bar can be raised and lowered comfortably.



Installing the Mattress Decks and Mattress – Part A

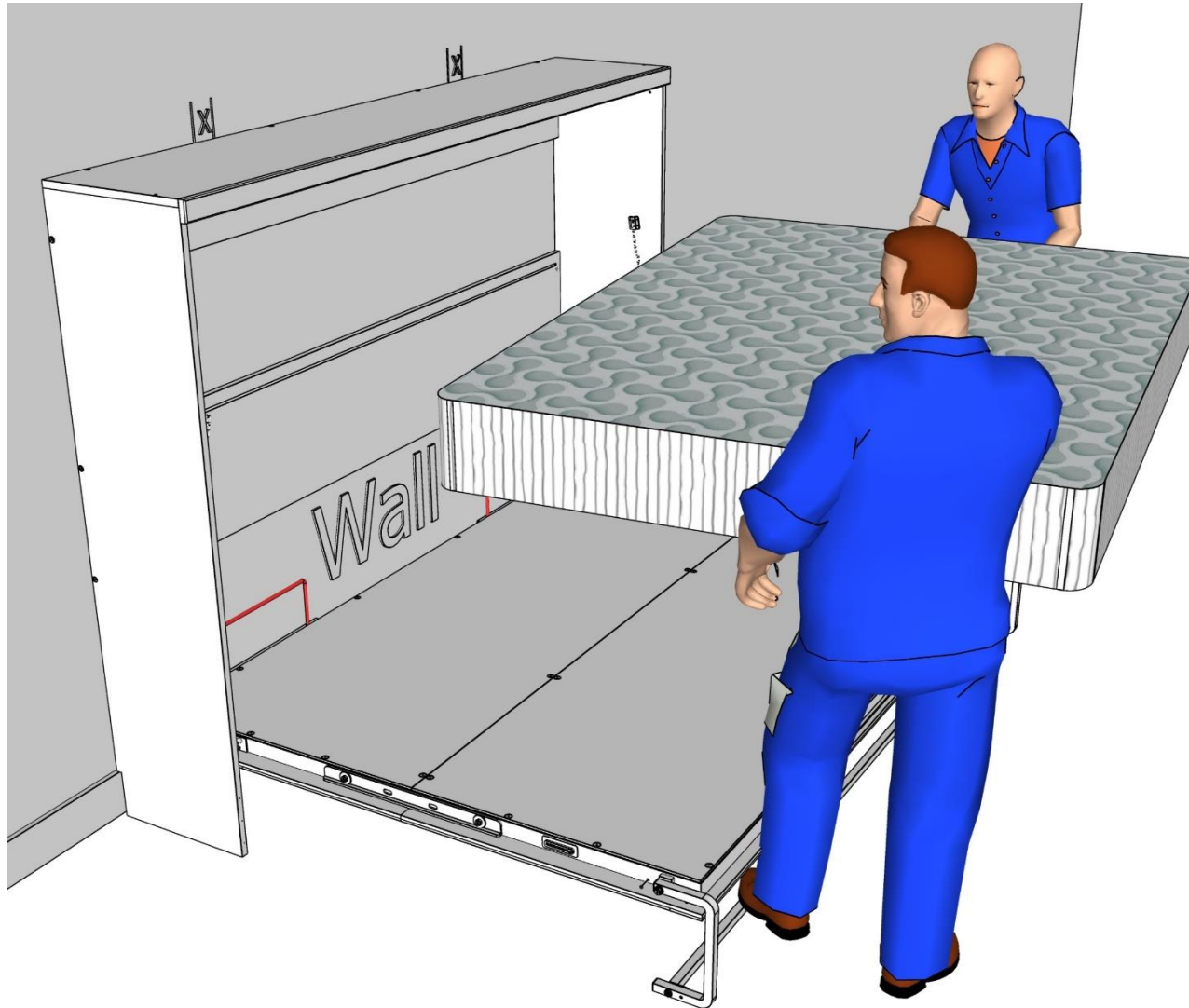
Use Assembly parts from Bubble Pack #2 for the bed tray assembly

STEP 1: USE THE K101 PLASTIC FASTENERS TO ATTACH THE MATTRESS DECK PANELS AS SHOWN. PLEASE PUT THE SIDES WITH “DO NOT STAND” STICKER UP AND ABIDE BY THE STICKER WARNING.



Installing the Mattress Decks and Mattress – Part B

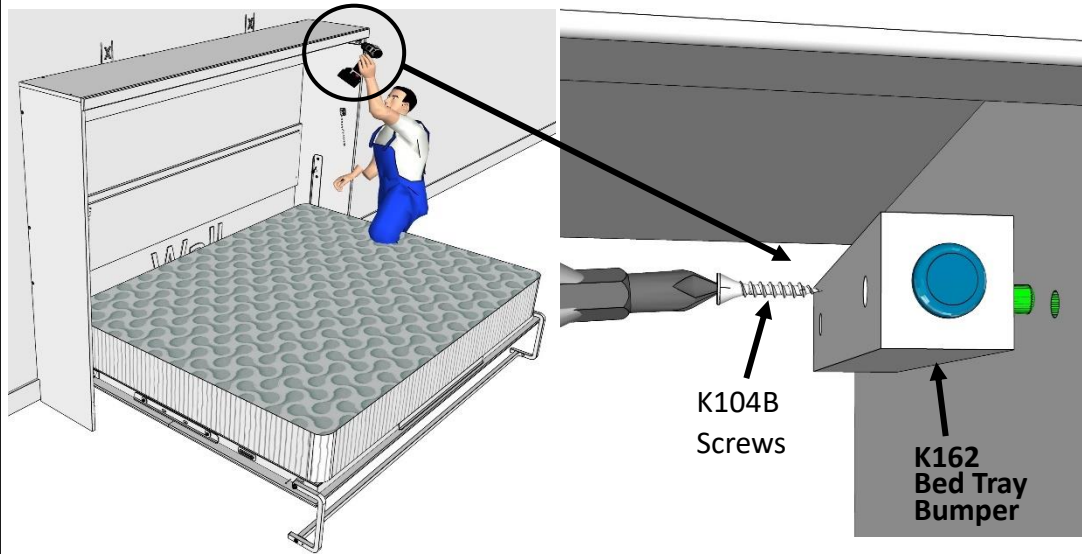
STEP 1: With the bed tray continuing to be held down, one person maneuvers the mattress into a position where both people can lift it and place it onto the mattress deck.



Completing Bed Tray Set-up and Squaring Bed Case

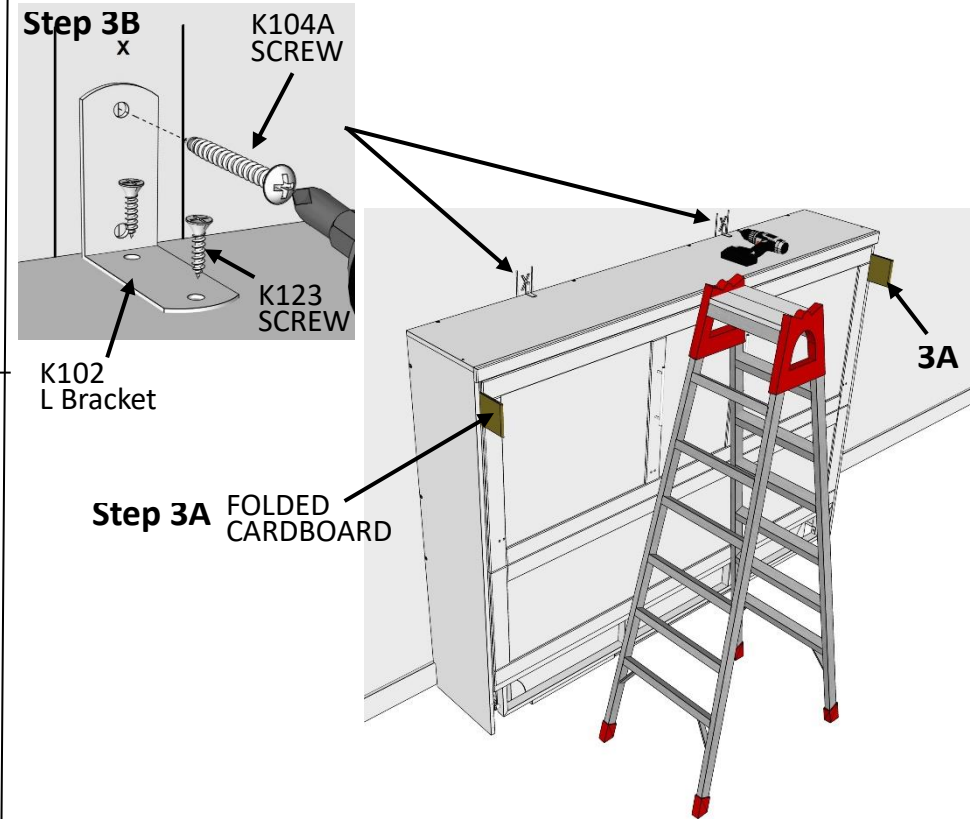
Use Assembly parts from Bubble Pack #2 for the bed tray assembly

STEP 1: Now you are ready to attach both bed tray bumpers, found inside the hardware boxes in box 3A & 4A. Fit the guide dowels into the predrilled holes on the upper inside panels and attach them using the K104B screws.



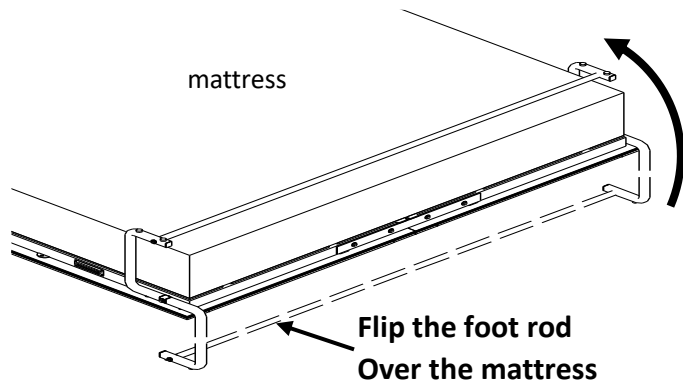
STEP 3A: Tilt the Bed up and place a folded piece of cardboard between the bed tray and the side panels (above the safety chains) to square up the bed case and bed tray.

STEP 3B: Safely use the step ladder, if necessary, to install K102 “L brackets” onto the top of the bridge and wall, at the spot where you previously marked **center of both studs**. To assure a good fit, have your helper push the bed case back against the wall while completing this step.



STEP 2:

- A) Lift the foot of the bed to about waist height and flip the foot rod over the mattress.
- B) Lift high enough to attach at least 1 safety chain.
- C) Proceed to Step 3 BEFORE closing the bed



USE STEP LADDER SAFELY!

Attaching the Pivot Rods to Kick Plate & hooking the Kick Plate to the Bed Case

Use Assembly parts from Bubble Pack #3 for the bed tray assembly

Attach the Desk Pivot Rod Plates to the kickplate by screwing them on with K123 screws.

Note that there are “left” and “right” pivot rods so follow the pictures carefully.

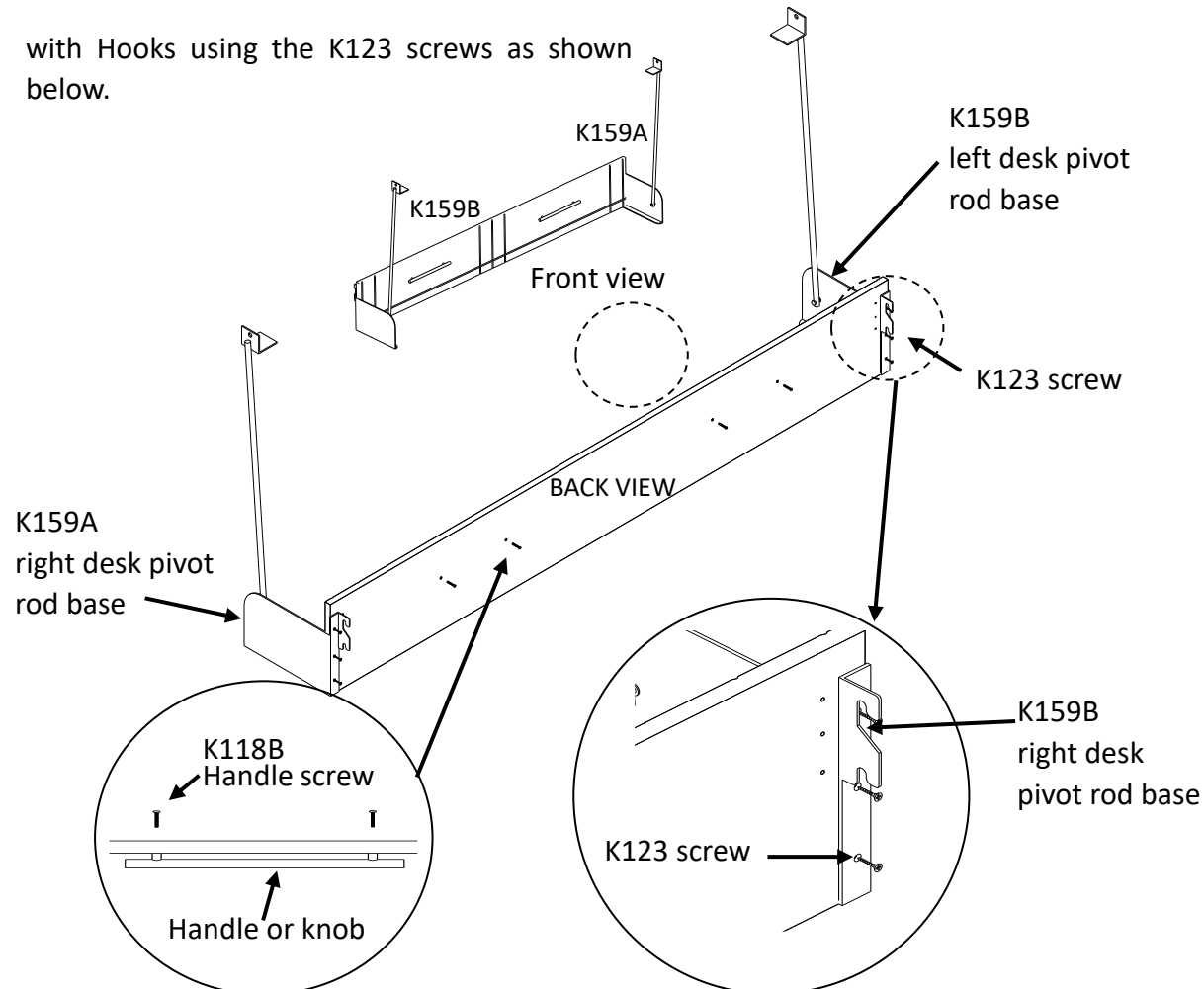
In the Furniture Biz, “left” and “right” are always reckoned from the point of view of the user standing in front and facing the completed product.

28

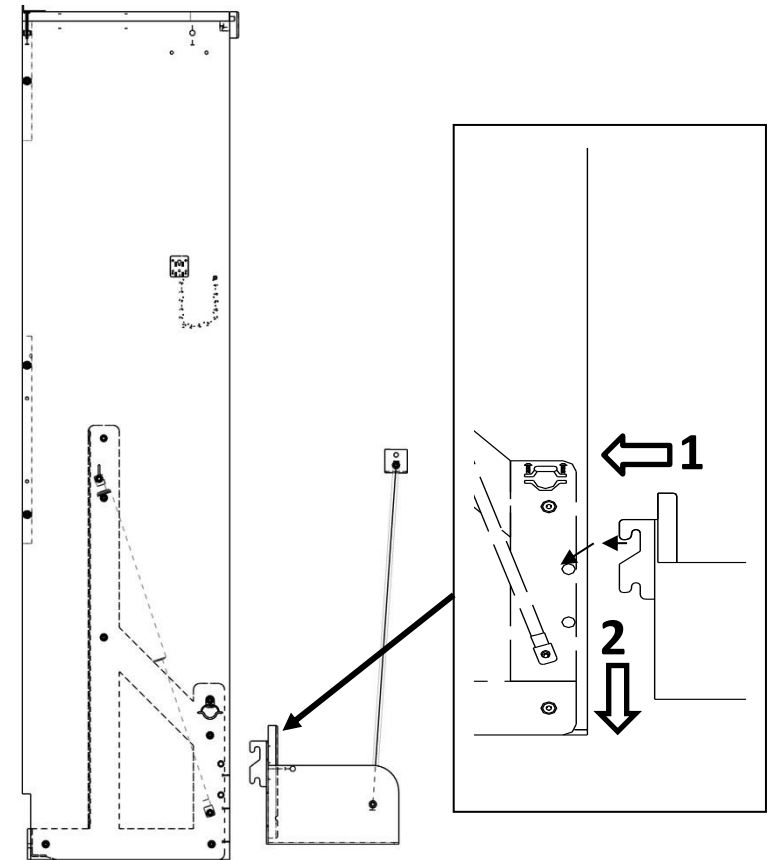
Find your parts illustrations on page 34

STEP 1 Install Desk-Rod Bases K159A & K159B

with Hooks using the K123 screws as shown below.



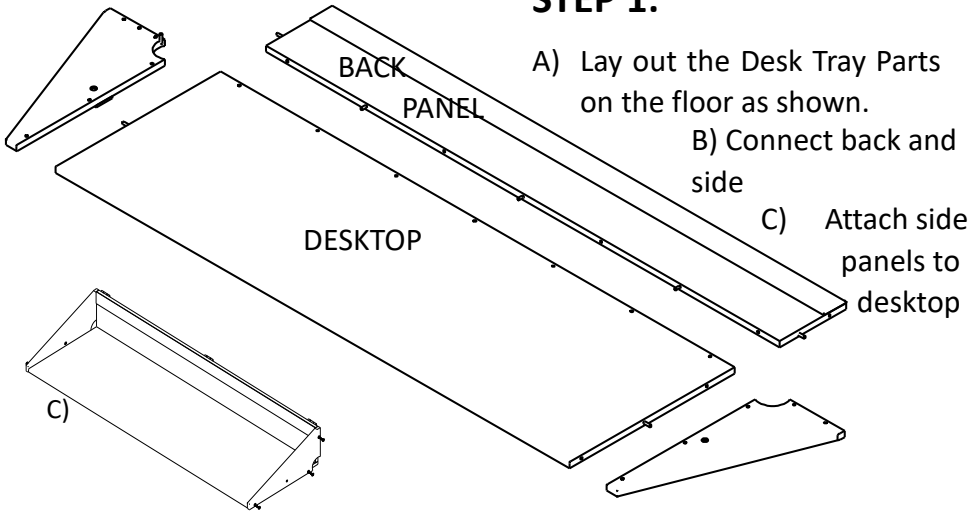
STEP 2 LIFT THE HOOKS OVER THE POSTS AND THEN FIRMLY DOWN TO LOCK THEM IN PLACE



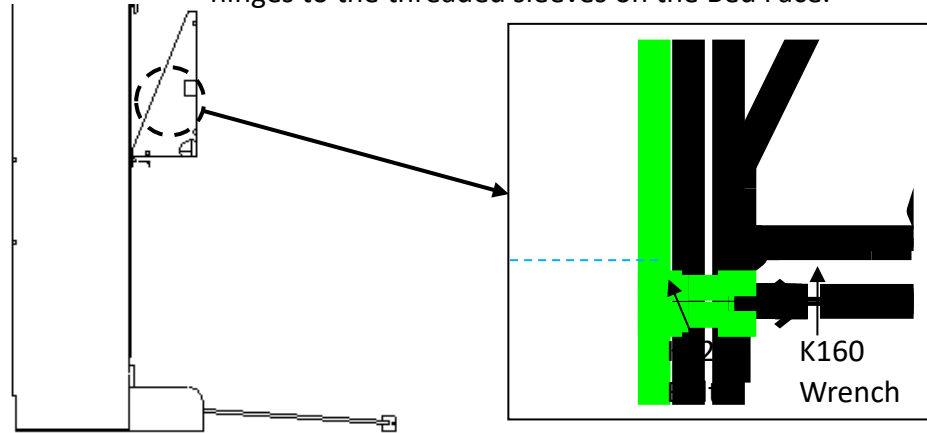
Set up the Desk Tray and Connect to the Bed Face Hinges and the Desk Pivot Rods

Use Assembly parts from Bubble Pack #3 for the DESK TRAY assembly

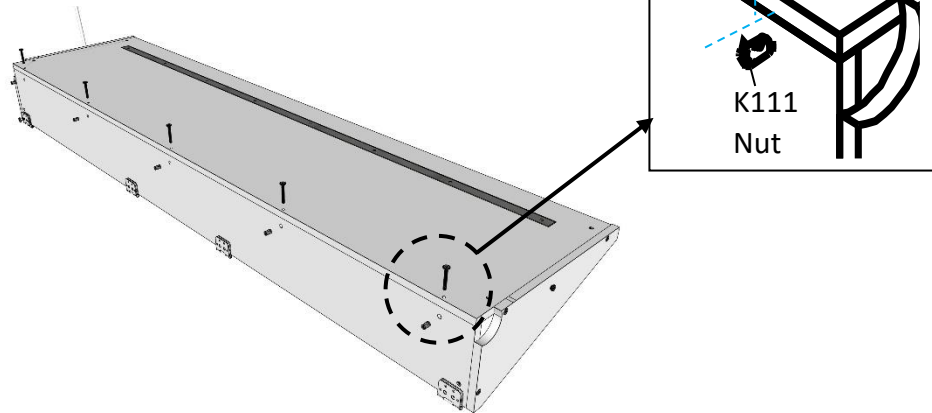
STEP 1:



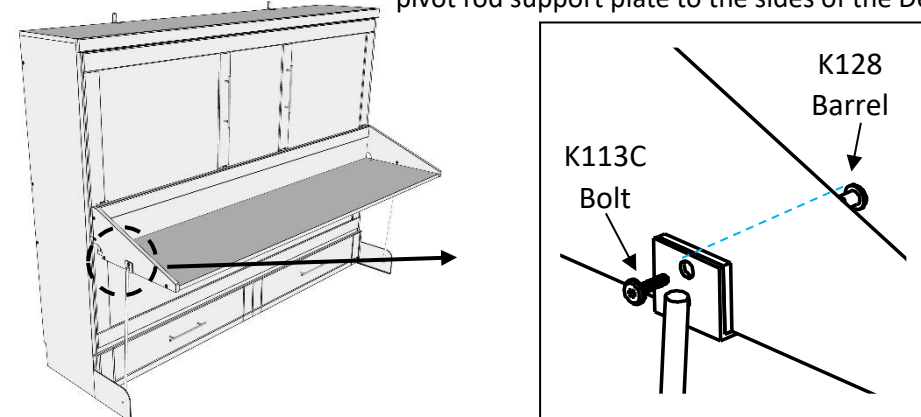
STEP 3: While one person lifts & holds the desk tray in place, use the K160 Allen wrench to insert and snug up the K121B bolts connecting the 4 Desk hinges to the threaded sleeves on the Bed Face.



STEP 2: A) Flip the desk tray over
B) Connect the desktop, with the K110 bolts and K111 barrel nuts



STEP 4: Lower the Desk Tray while holding the Bed Face closed. Use the K113A BOLT and K128 Binding Barrel to connect the pivot rod support plate to the sides of the Desk Tray



Enjoy your new Murphy Desk Bed!!! 😊

BR03LK-S BOX-#1
VERTICAL SIDE PANELS

BOX 1
Installation Instructions
Inside box 2

BOX 1
BR03LK-WT-S
MODERNE
WHITE

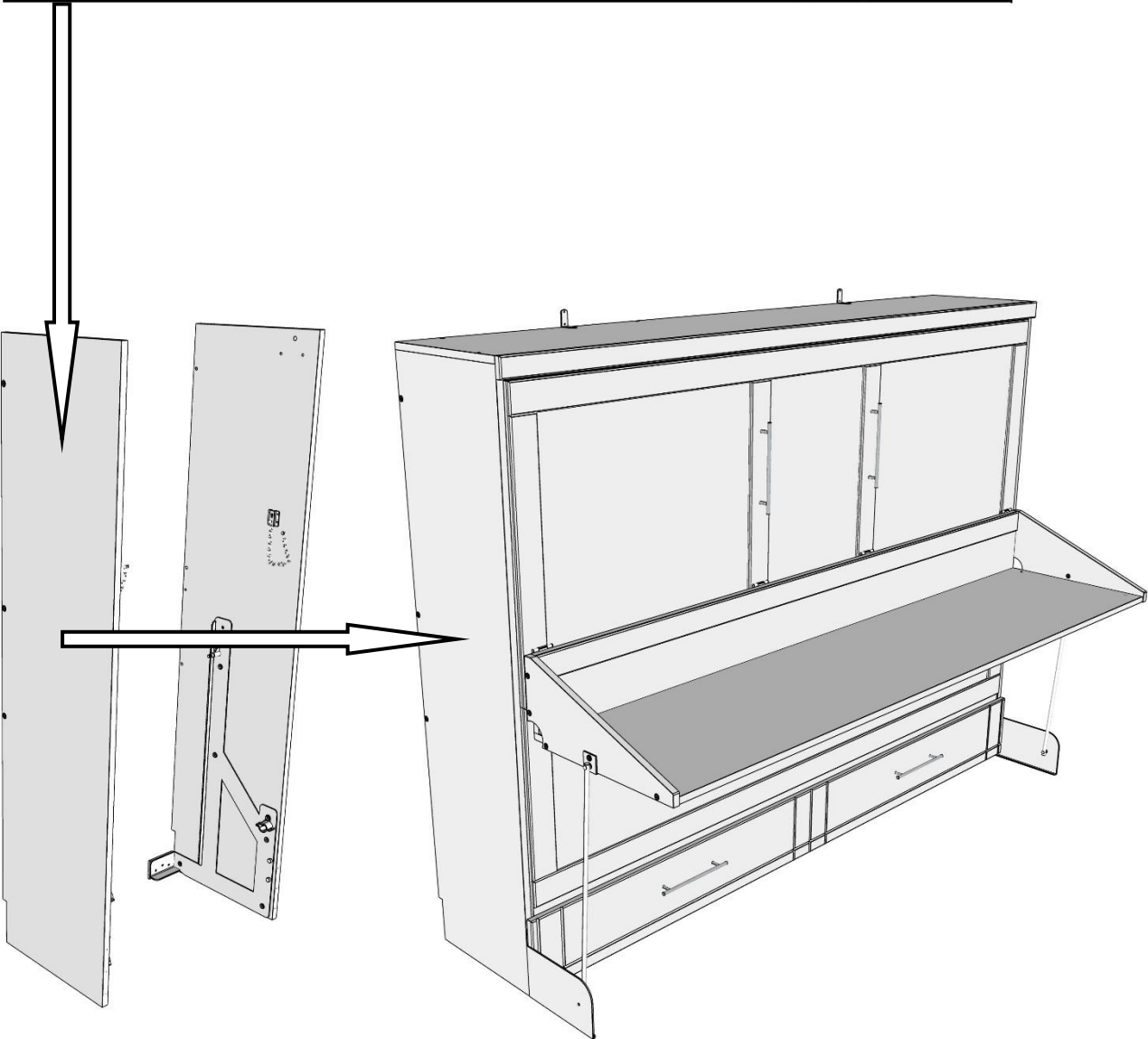


Qn Side. Panels
Cubic Ft: 10.88
GW LBS: 83.2 LBS
GW KG: 37.8 KG

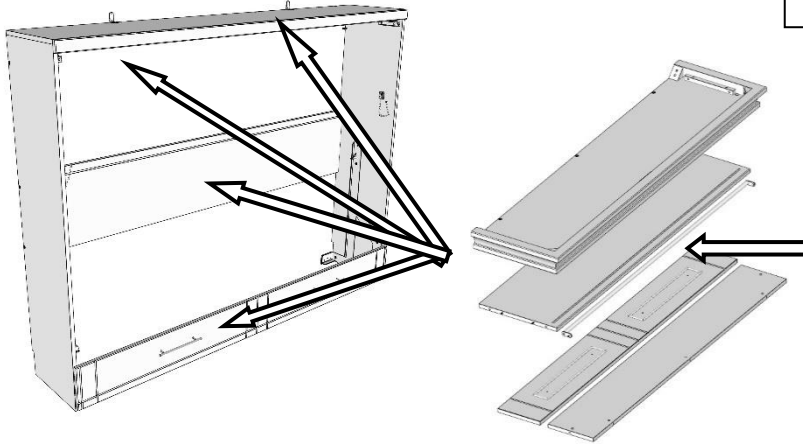


Watch our helpful installation video at WallbedGallery.com/video

Made in Vietnam
TSCA Title VI Compliant



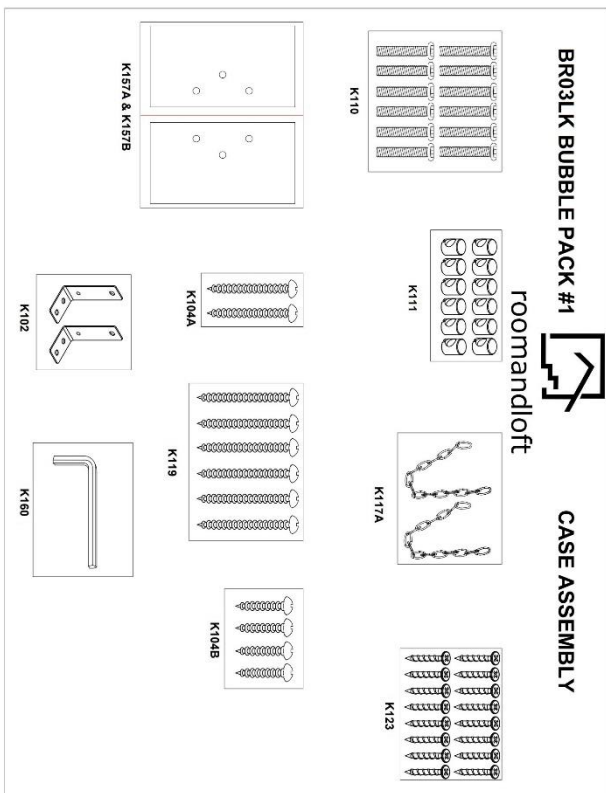
BR03LK-H BOX-#2 HORIZONTAL PANELS



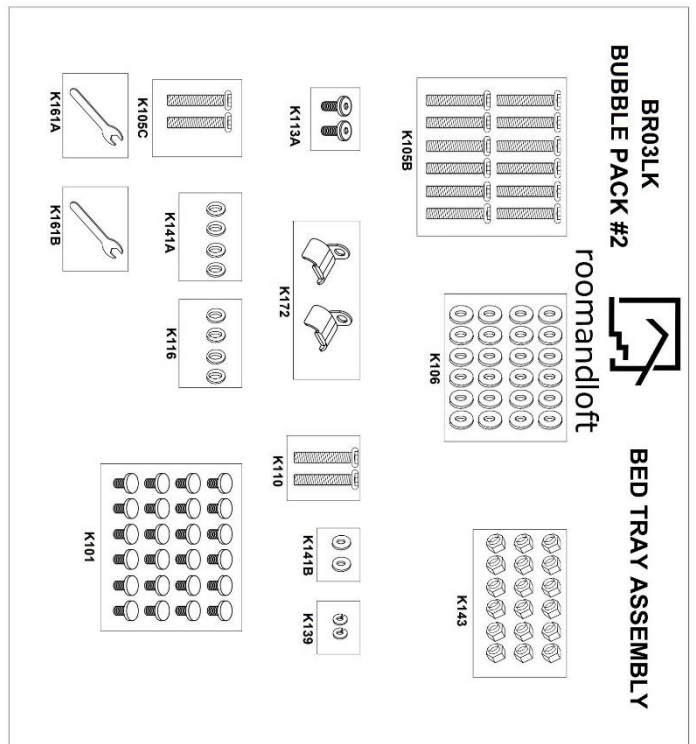
ASSEMBLY INSTRUCTIONS



HARDWARE BOX #2



BUBBLE PACK #1



BUBBLE PACK #2

BOX 3A
Installation instructions
inside box 2

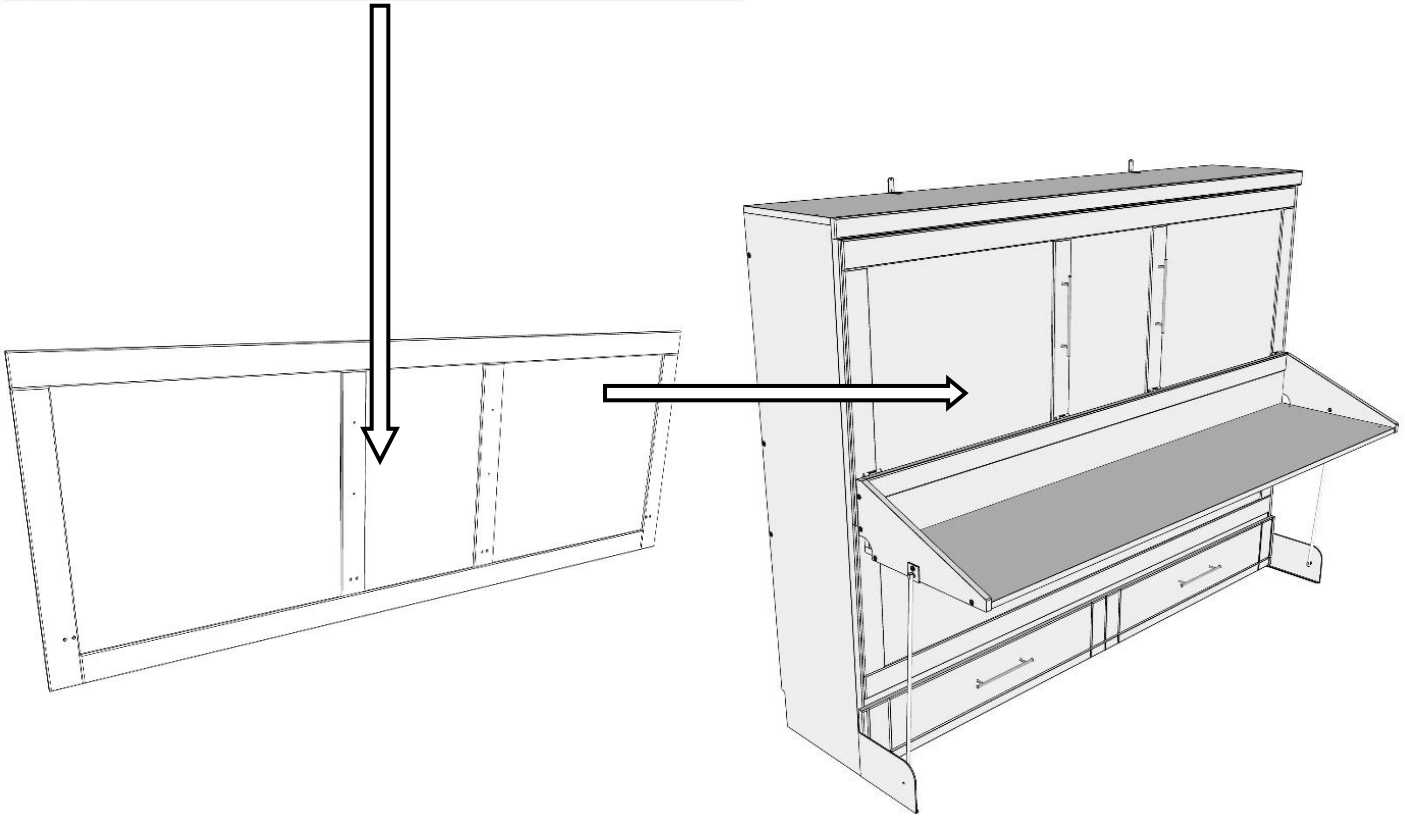
roomandloft

TOP BED TRAY
Cubic Ft: 11.77
GW LBS: 99.2 LBS
GW KG: 45 KG

Made in Vietnam
TSCA Title VI Compliant

Watch our helpful installation video at WallbedGallery.com/video

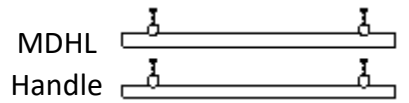
BR03LK-TTL BOX-#3A
DESK BED-LEFT BED TRAY



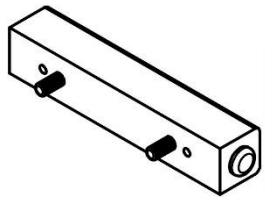
HARDWARE
BOX
#1 of 2



K173
Mattress hoop



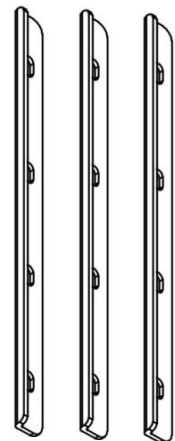
MDHL
Handle



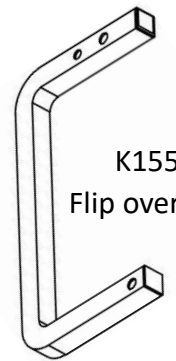
K162
Bed Tray Bumper



K142 Wood Plug



K153
Bayonet connector



K155
Flip over leg



K114C Gas Springs

BOX 4A
Installation Instructions
Inside box 2



roomandloft

Watch our helpful installation video at WallbedGallery.com/video

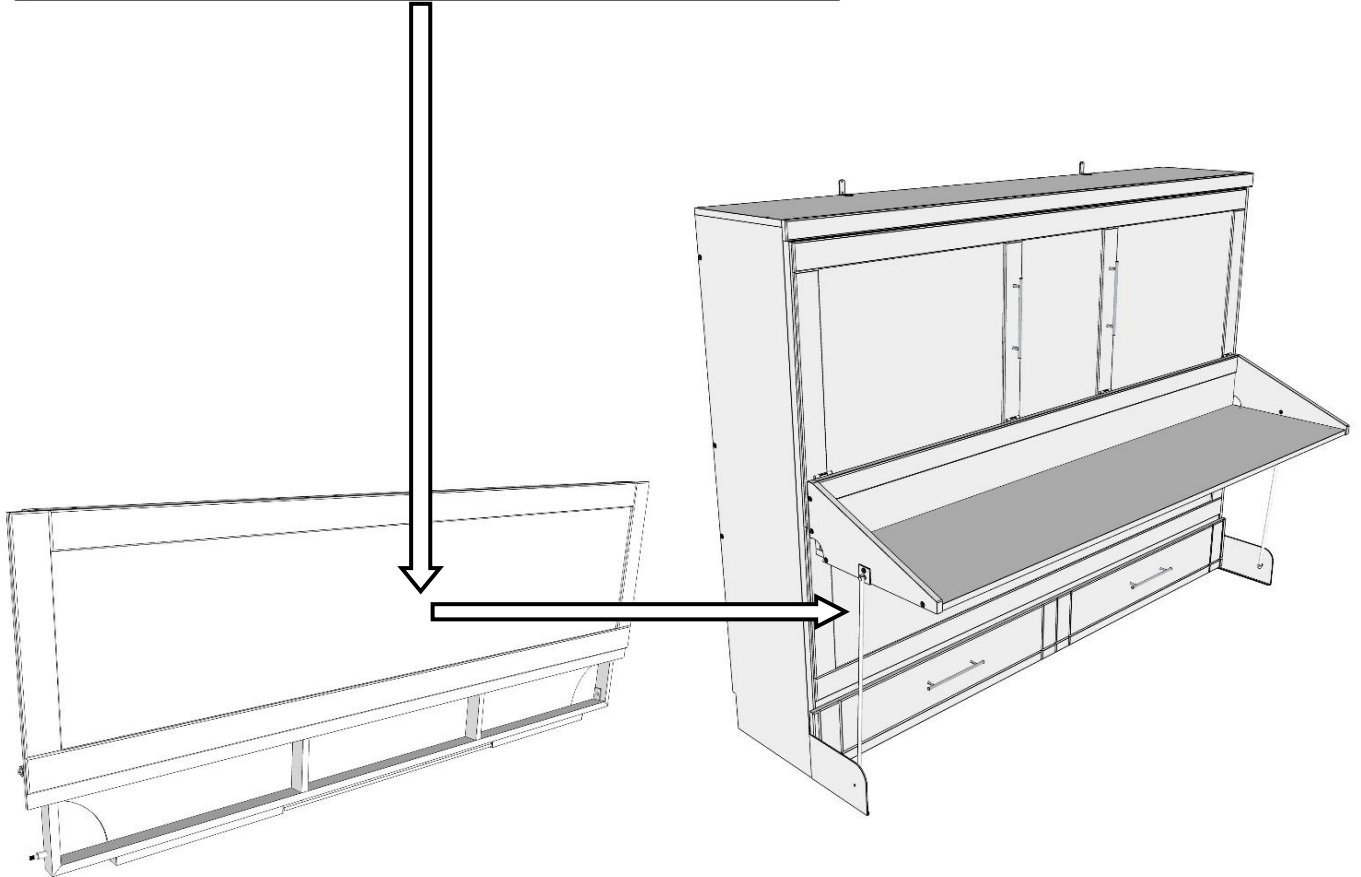
BOX 4A
BR03LK-WT-BTL
MODERNE
WHITE

BOTTOM BED TRAY
Cubic Ft: 11.77
GW LBS: 99.2 LBS
GW KG: 46 KG

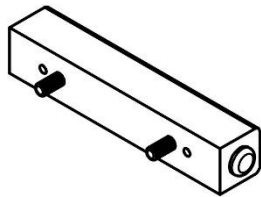


Made in Vietnam
TSCA Title VI Compliant

BR03LK-BTL BOX-#4A
DESK BED-RIGHT BED TRAY



HARDWARE
BOX
#1 of 2



K162
Bed Tray Bumper



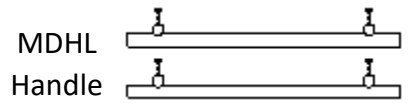
K173
Mattress hoop



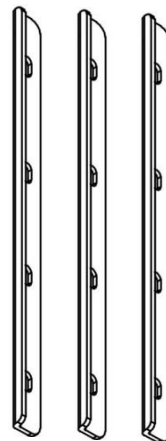
K142 Wood Plug



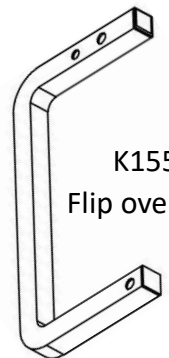
K114C Gas Springs



MDHL
Handle



K153
Bayonet connector



K155
Flip over leg

BOX 5
Installation Instructions
inside box 2

BOX 5
BR03LK-WT-DSKL
MODERNE
WHITE



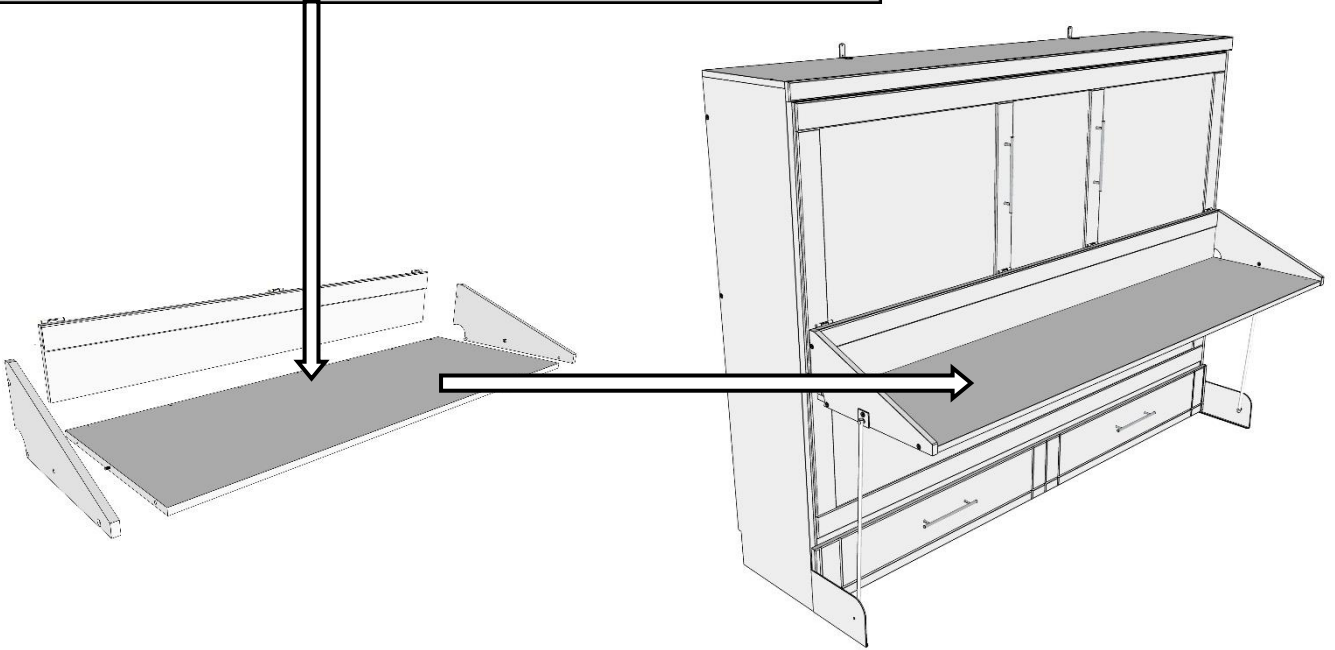
Lateral Desk Tray
Cubic Ft: 6
GW LBS: 56.22 LBS
GW KG: 25.5 KG



Made in Vietnam
TSCA Title VI Compliant

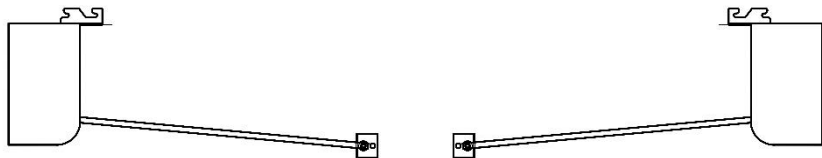
Watch our helpful installation video at WallbedGallery.com/video

BR03LK-DSK BOX-#5
DESK TRAY




HARDWARE

BOX #3



BR03LK
BUBBLE PACK #3



DESK TRAY ASSEMBLY

K110

K111

K121B

K123

K128

K113A

APPENDIX 1 – Mounting your Murphy Bed to a concrete wall (such as is often found in a basement).

If you have either brick or masonry WITHOUT DRYWALL - We recommend the TAPCON Concrete Screw System, model 3/16" x 2.1/4" flat-head screw. You can find this product at:

HOME DEPOT: model# 24372, Internet sku# 202516426, store sku# 156942 (this item comes with the drill bit needed)

LOWES: model# 24360, item# 61657 AND you will also need a 4" or longer 5/32 concrete drill bit separately.

**** You can watch informational video on installing Tapcon Screws into concrete, brick, or other masonry at:**

www.confast.com/articles/install-concrete-screws.aspx

If you have DRYWALL ON TOP OF THE MASONRY – We recommend the TAPCON 3/16" x 2.3/4" concrete anchor.

HOME DEPOT: model# 24310, internet# 100170162, store sku# 155764

LOWES: model# 24310 item #79361

We believe these come with the appropriate 5/32 drill bit.

Installing screws into masonry will require the use of a "hammer drill" to drill the pilot hole – not a normal drill gun – so you may want to start calling "handy" friends to see if they possess this tool.

When you drill the holes for installation into masonry – you can use the 3 holes in the flange arm as a guide, and otherwise follow the same instructions as shown on pages 8 and 9.

RoomAndLoft Warranty

Our products are warranted against defects in materials and workmanship to the original purchaser. Warranty coverage begins at the time of consumer purchase and is non-transferable. This warranty does not cover any loss or damage resulting from: improper installation; unauthorized repairs; unintended use or abuse.

Accordingly, RoomAndLoft, at its sole discretion, will provide resources to repair or replace any defective part within a reasonable time frame. If a replacement part is not available, reasonable efforts will be made to locate a compatible replacement part. If a compatible part is not available, RoomAndLoft may replace your product with a similar product. Under no circumstances shall the retail replacement value exceed the original net price paid for the product. In the event you choose not to accept a replacement for your product, RoomAndLoft is no longer responsible for making repairs under the warranty coverage.

Our Murphy Beds have a maximum warranted capacity of 600 lbs. Murphy Bed Sofas have a maximum weight capacity of 600 lbs. The Xtrabed Mobile Wallbed has a maximum warranted capacity of 600 lbs.

Small parts that are found to be lost, missing, or not serviceable during the assembly process will be replaced by RoomAndLoft at no cost, including but not limited to, flip-over feet and/or foot rod, mattress hoops, bed tray bumpers, latches, safety chains, hinges, bolts, screws, washers and nuts.

Gas springs are warranted to be free from defect in material or workmanship for a period of 5 years. Wooden bed case parts and accessory wood units, including, piers, desks and murphy sofas are warranted to be free of defect in material or workmanship for a period of 1 year. Electrical lighting is warranted to be free from defect in material or workmanship for a period of 1 year.

Care & Maintenance Tips

It is surprisingly simple to protect and enhance the real wood surfaces on your new RoomAndLoft furniture. All that is required is some tender, loving care. Here are a few tips to keep your furniture looking good:

- Dust your furniture regularly with a soft, dry, clean cloth. While dusting please remember to always lift, not slide, objects to avoid scratching or marring the surface of your RoomAndLoft product.
- Avoid continuous exposure to direct sunlight. Exposure to direct sunlight for long periods may cause the finish to fade or change color over time.
- The finish on your RoomAndLoft product does not require any furniture polish or wax. If it requires cleaning, we recommend using Murphy's oil soap. Spray a little on the surface and wipe it off with a soft, clean dry cloth.
- Excessive and/or prolonged exposure to humidity above 85% or below 15%, and/or extreme temperatures above 100 or below 40 degrees Fahrenheit can damage wood furniture.
- Chemicals in some rubber and plastics may soften the finish so it is best to avoid placing them on the wood surface for extended periods. Using felt or cork on the bottoms of things like lamps or book ends will protect the wood surface from scratches without the softening effect of rubber or plastic.
- Spilled liquids or glass rings should be blotted up immediately with a soft, clean cloth. It is always a good idea to use coasters.
- Never allow products containing solvents such as thinners, alcohol, ammonia, and nail polish or nail polish removers to come in contact with your furniture as these products may dissolve finish in the area that they come in contact with.