



WARNING!

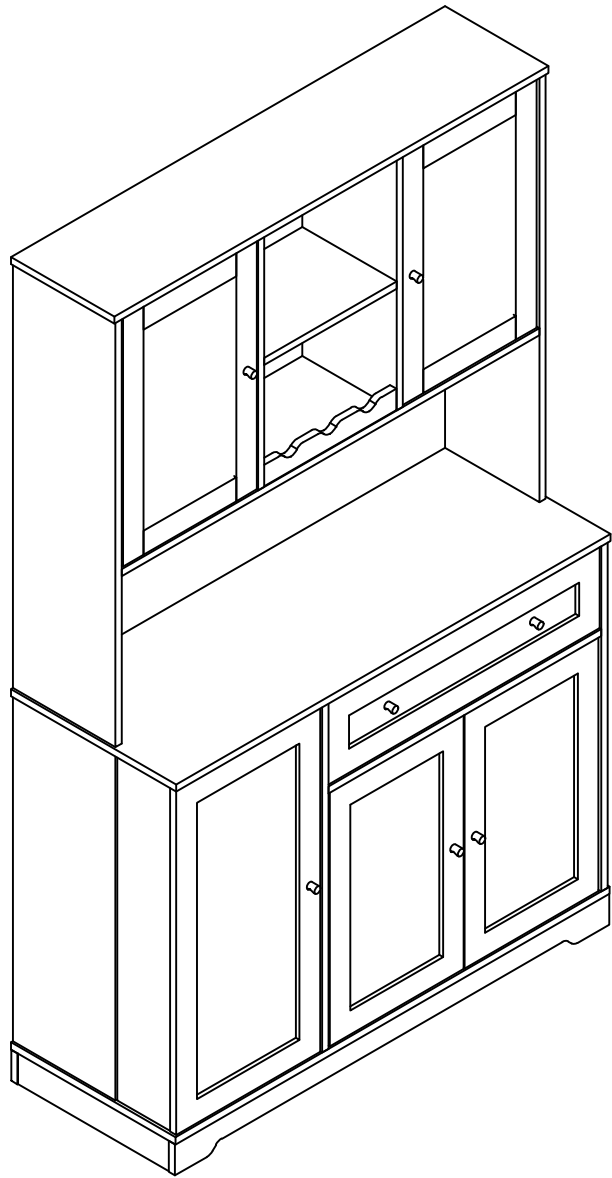
Children have died from furniture tipover. Fixed wall device have been included with this product;you must install the fixed wall device according to these instructions in order to minimize the risk of furniture.If you have any questions about this product or the Fixed wall device , please contact us immediately.

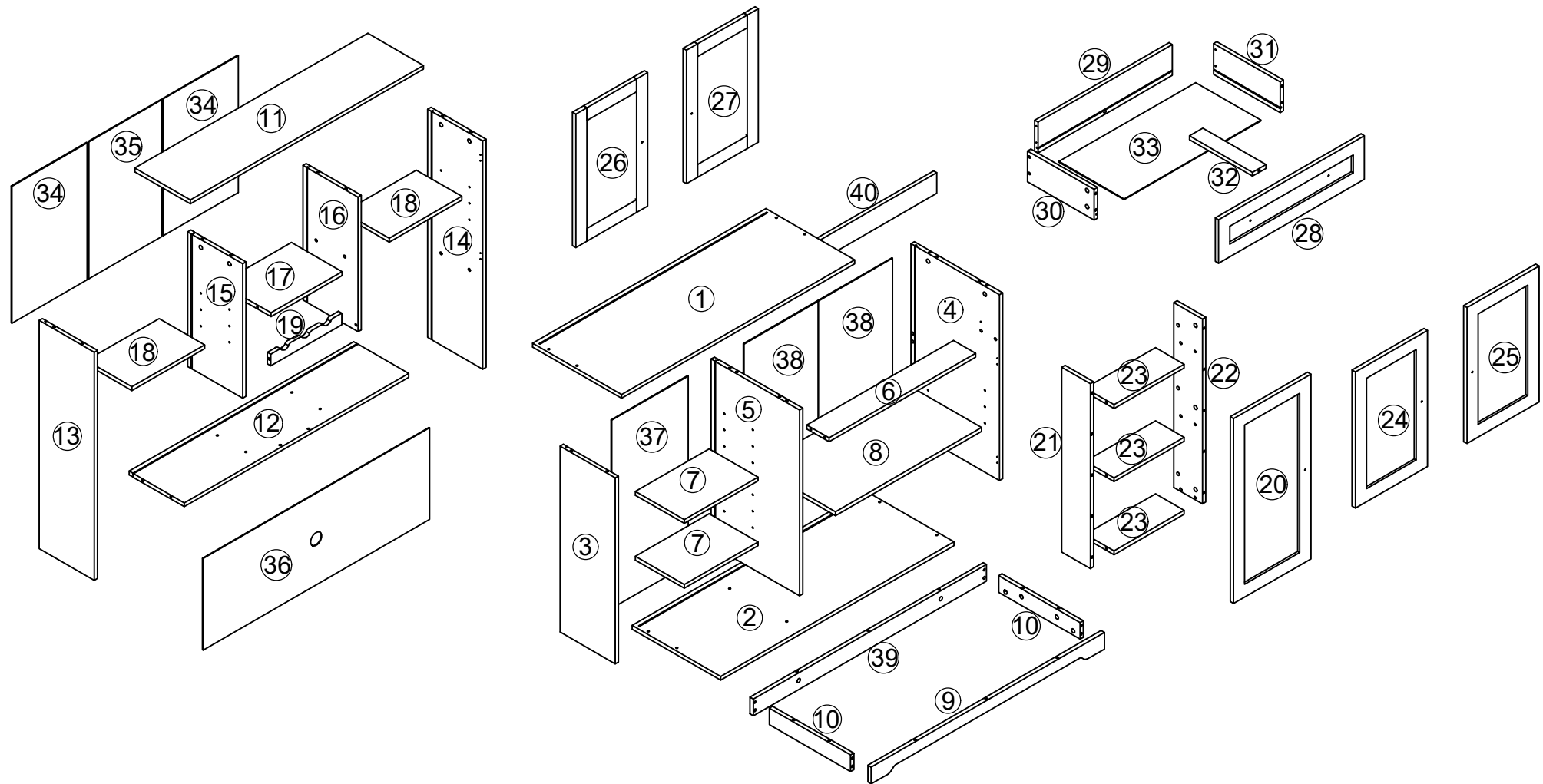
Never allow children to climb or hang on furniture,including drawers or cabiner doors.

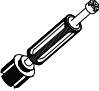

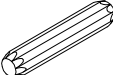

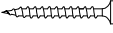
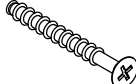
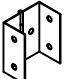

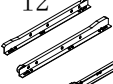
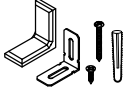







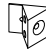

In addition to installing the restrains,to help prevent tip-over.

1. Never put a TV or other heavy objects on top of this product.
2. Do not stand on the product.

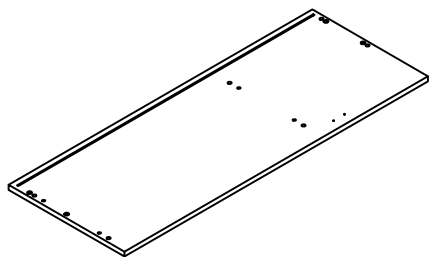
⚠ WARNING	
	<p>Children have died from furniture tipover. To reduce the risk of furniture tipover:</p> <ul style="list-style-type: none">• ALWAYS install tipover restraint provided.• NEVER put a TV on this product.• NEVER allow children to stand, climb or hang on drawers, doors, or shelves.• NEVER open more than one drawer at a time.• Place heaviest items in the lowest drawers.• Do not defeat or remove the drawer interlock system.
	<p><i>This is a permanent label. Do not remove!</i></p>





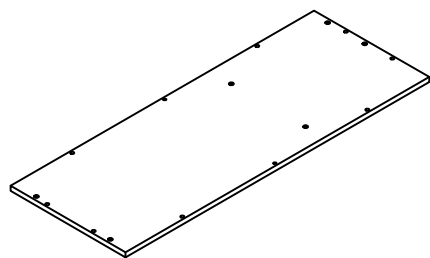
A		60PCS	B		60PCS	C		8*40	24PCS	D		3.5*14	86PCS	E		3.5*35	4PCS	F		7*50	14PCS	G		3PCS	H		20PCS	I		I2	300mm	1PCS	J		2PCS
K		K2		K1	5PCS	L		7PCS	M		4*10	2PCS	N		4*20	5PCS	O		8PCS	P		334mm	3PCS	Q		26PCS	R		3*12	26PCS					

1



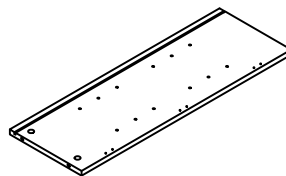
1050*400 1PS

2



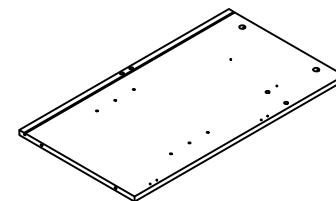
1050*398 1PS

3



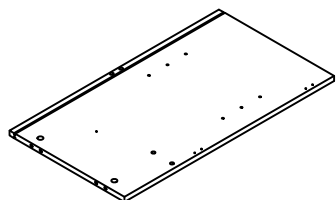
725*248 1PS

4



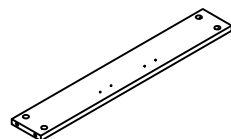
725*398 1PS

5



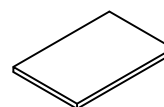
725*398 1PS

6



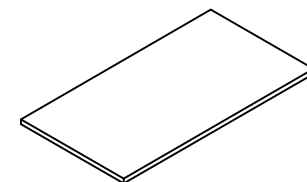
660*100 1PS

7



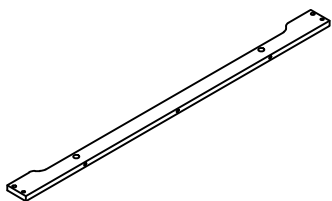
332*220 2PS

8



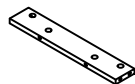
657*355 1PS

9



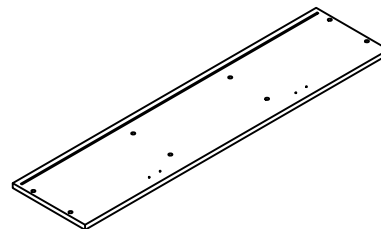
1050*65 1PS

10



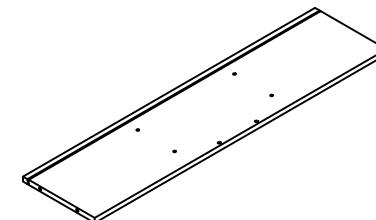
366*65 2PS

11



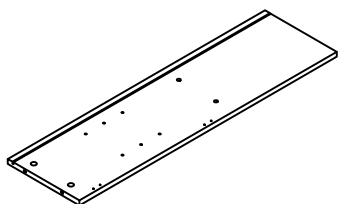
1050*250 1PS

12



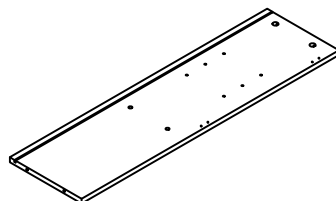
1010*248 1PS

13



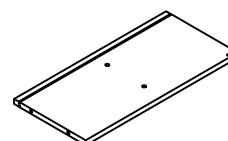
890*248 1PS

14



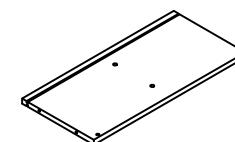
890*248 1PS

15



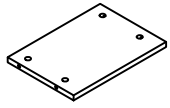
525*248 1PS

16



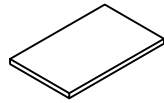
525*248 1PS

17



320*228 1PS

18



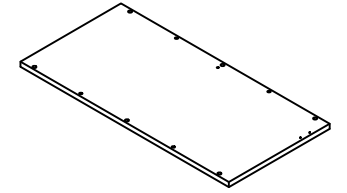
327*205 2PS

19



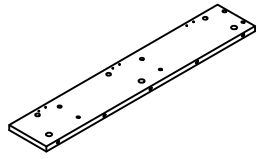
320*45 1PS

20



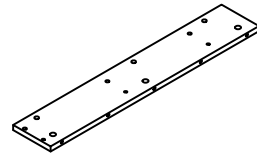
721*348 1PS

21



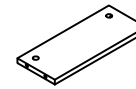
721*129 1PS

22



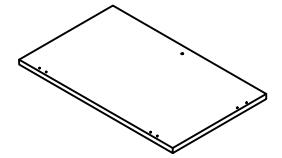
721*129 1PS

23



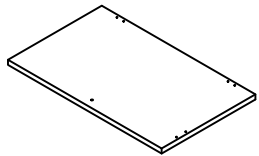
316*129 3PS

24



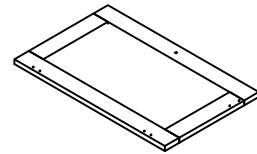
531*324 1PS

25



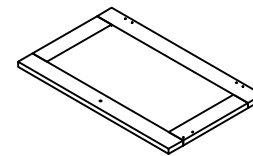
531*324 1PS

26



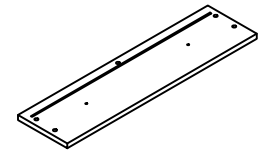
521*324 1PS

27



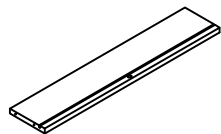
521*324 1PS

28



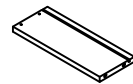
656*170 1PS

29



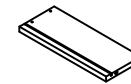
605*120 1PS

30



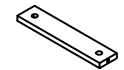
300*120 1PS

31



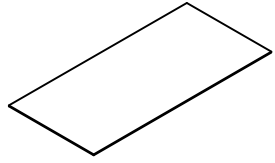
300*120 1PS

32



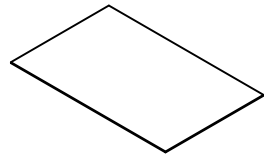
284*60 1PS

33



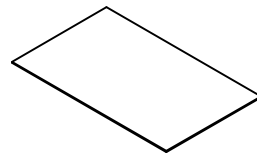
615*293 1PS

34



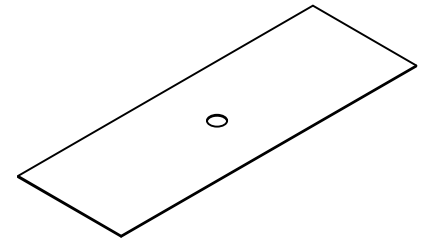
534*339 2PS

35



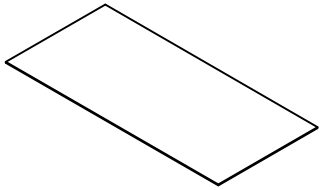
534*327 1PS

36



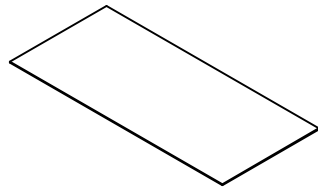
357*1020 1PS

37



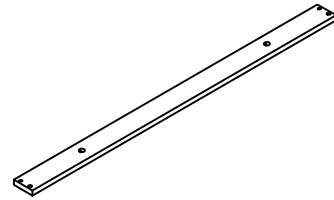
734*344 1PS

38



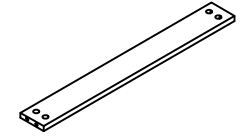
734*334.5 2PS

39



1050*65 1PS

40



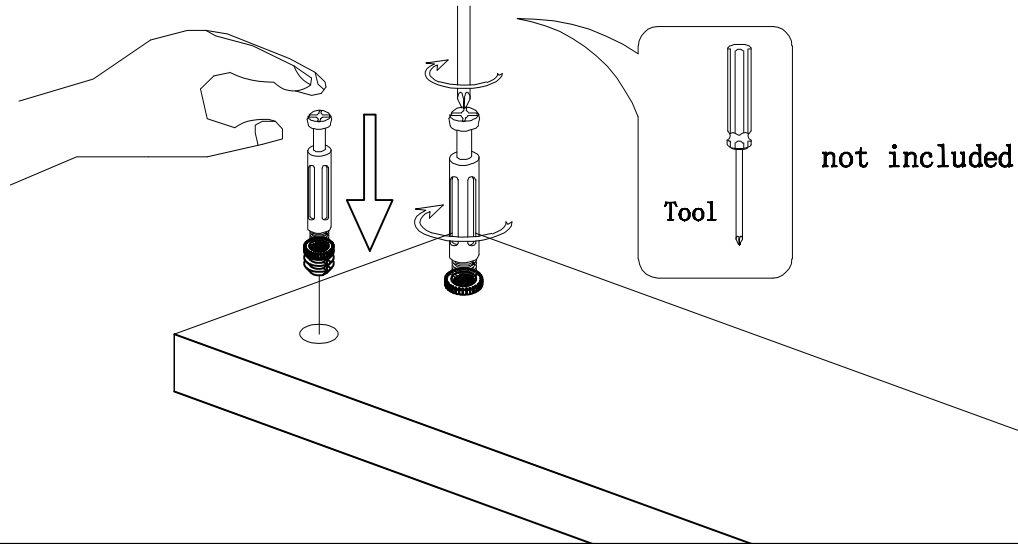
660*80 1PS



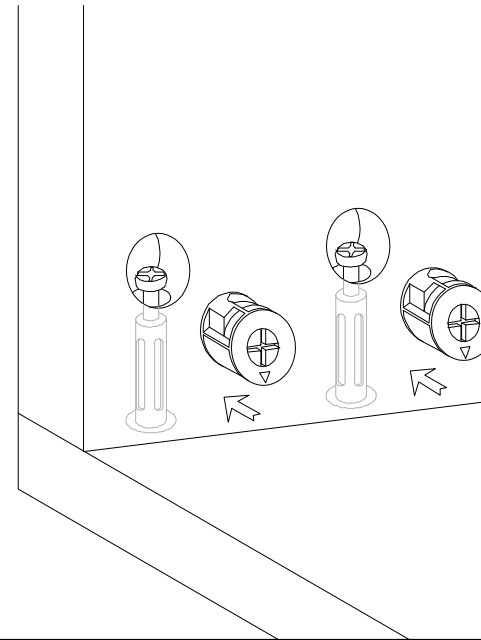
Hardware installation demonstration

NOTE: Please make sure "A" hardware tightened and can't be pulled out!

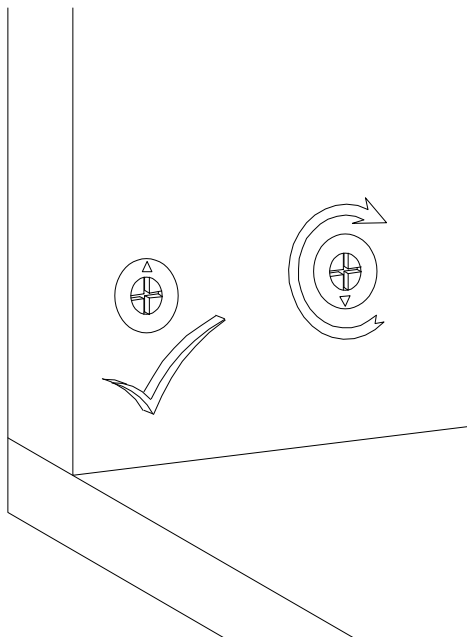
I



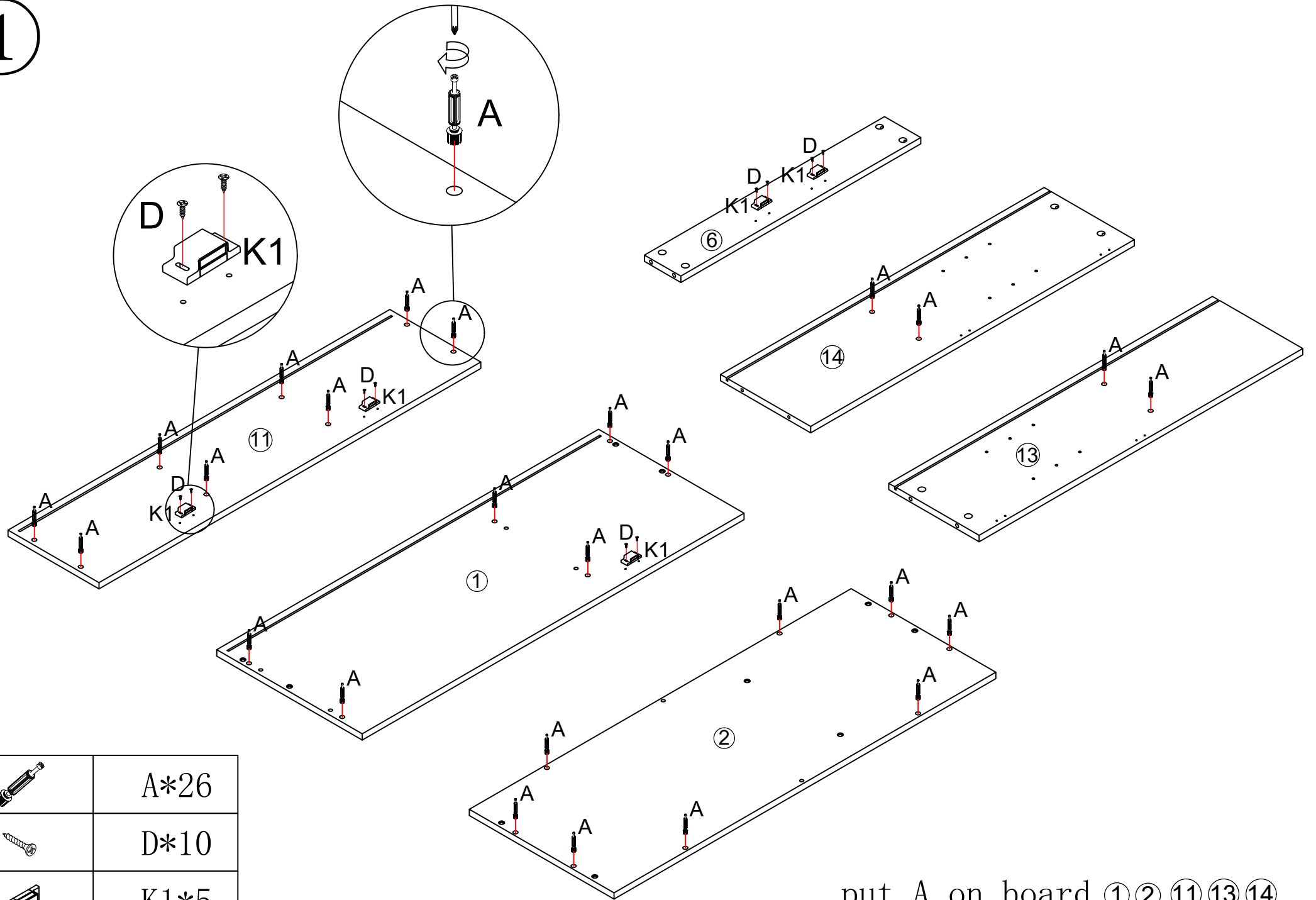
II






III



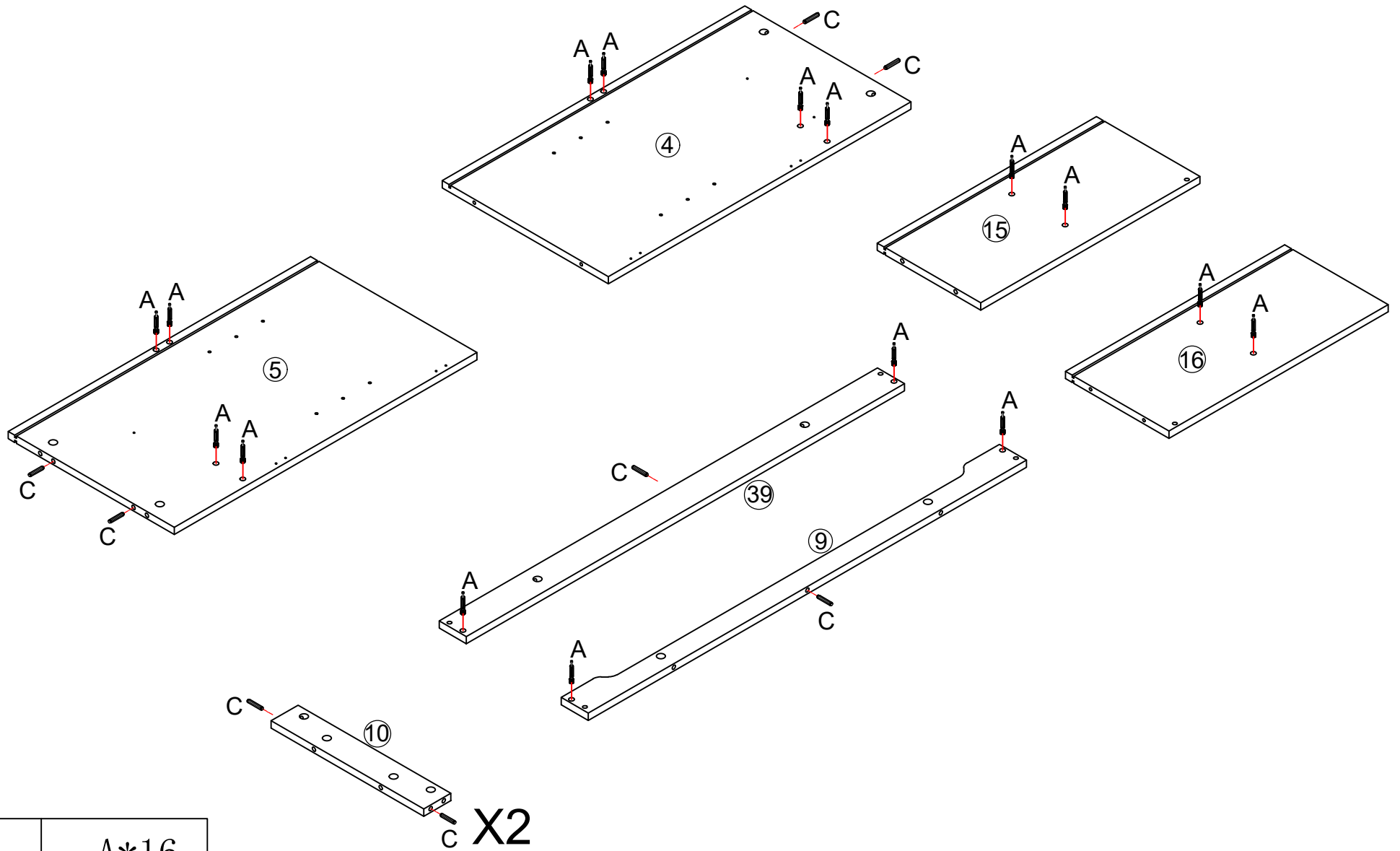
1


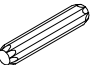


	A*26
	D*10
	K1*5

put A on board ① ② ⑪ ⑬ ⑭

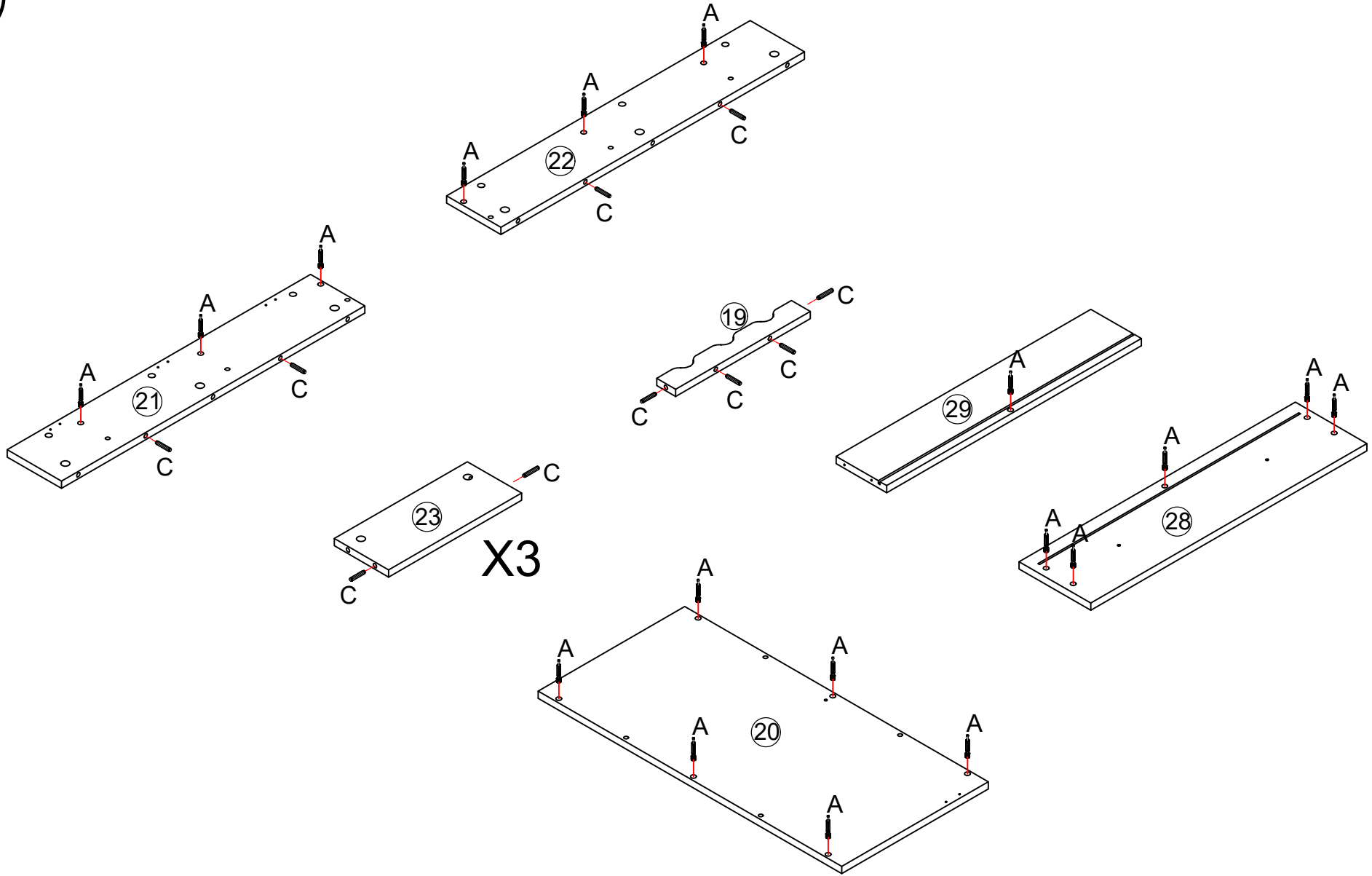
2


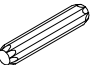


	A*16
	C*10

put A on board ④ ⑤ ⑨ ⑮ ⑯ ⑳
put C on board ④ ⑤ ⑨ ⑩ ㉑

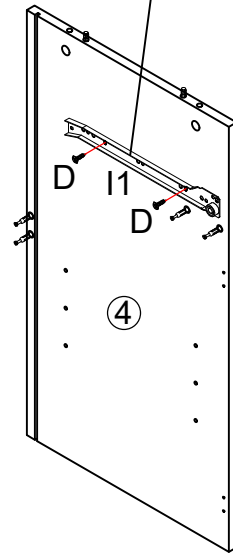
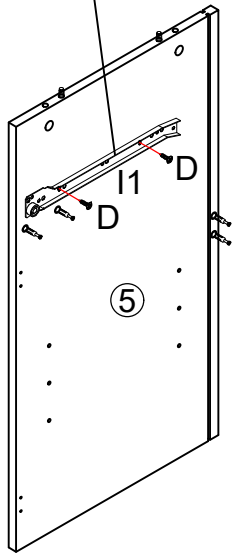
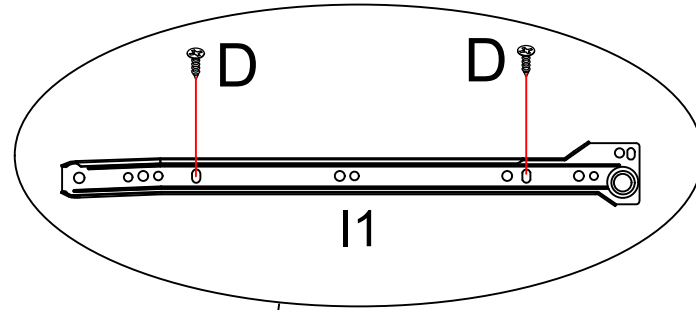
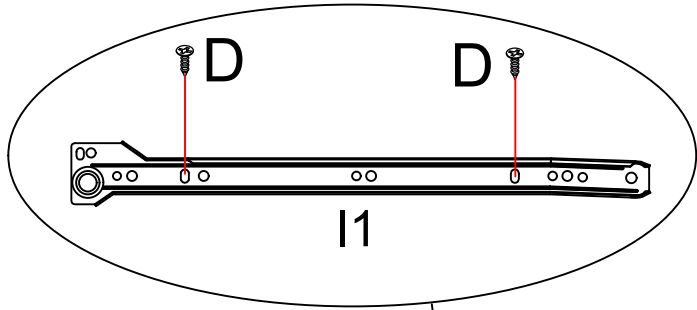
3


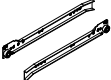


	A*18
	C*14

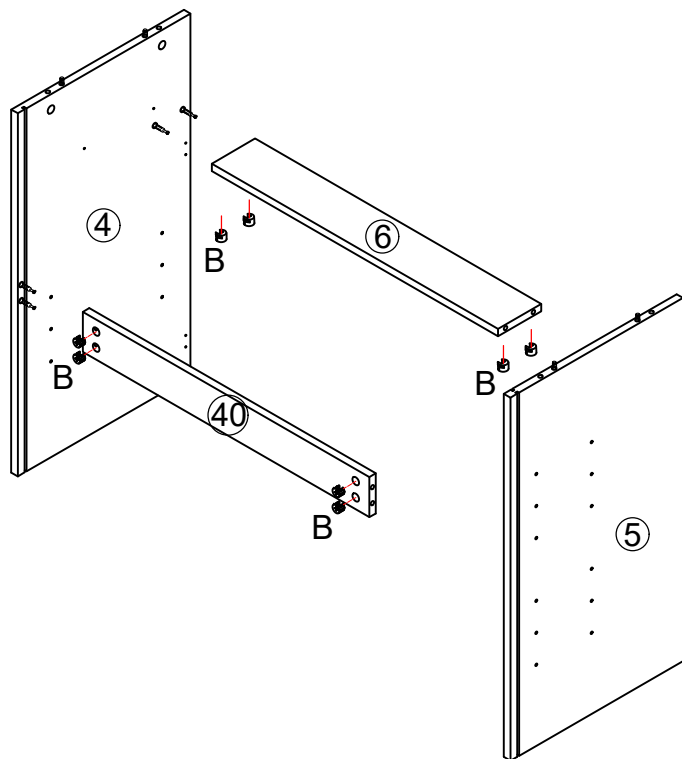
put A on board 20 21 22 28 29
put C on board 19 21 22 23

4

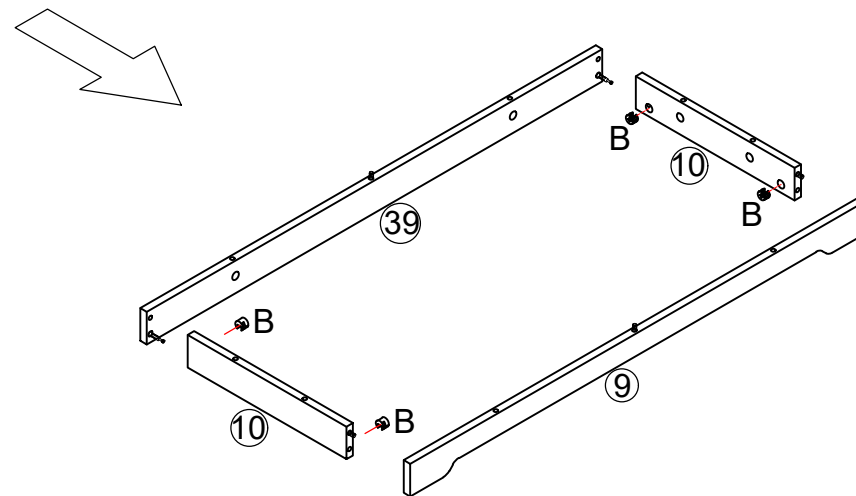
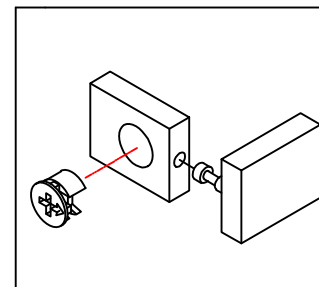


	D*4
	I1*1

5

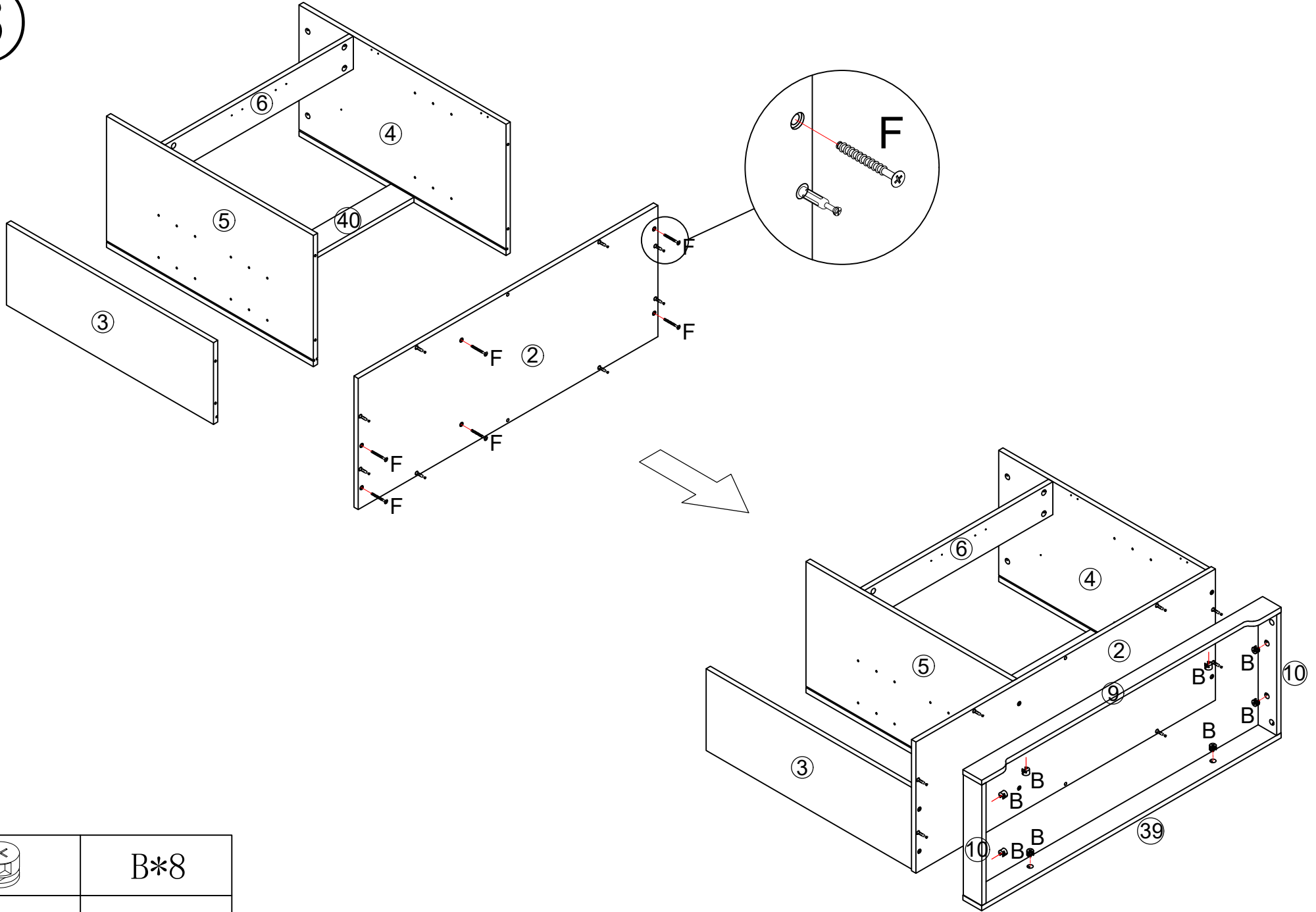


Make sure the arrow on the screw align to the hole on the side.

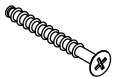


B*12

6

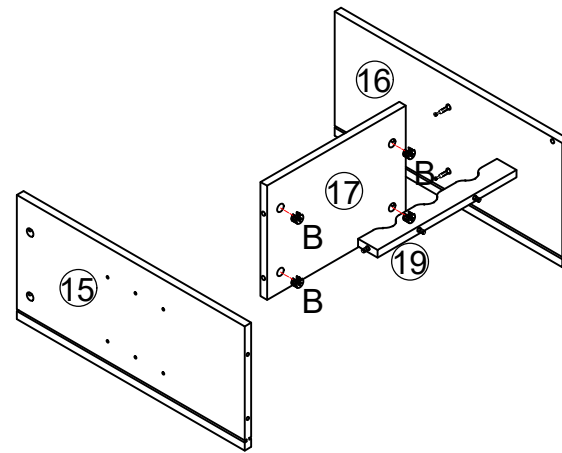
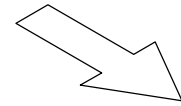
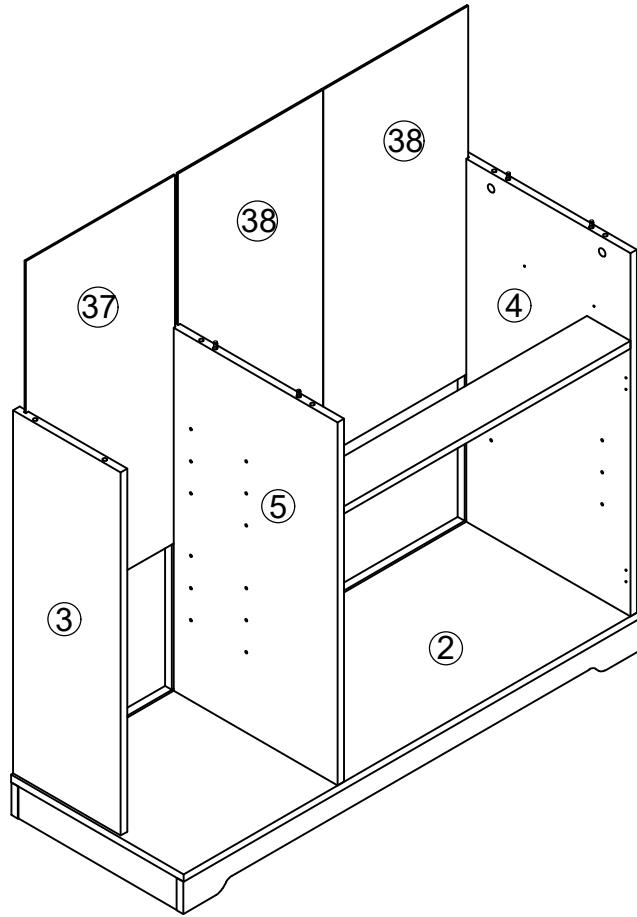


B*8



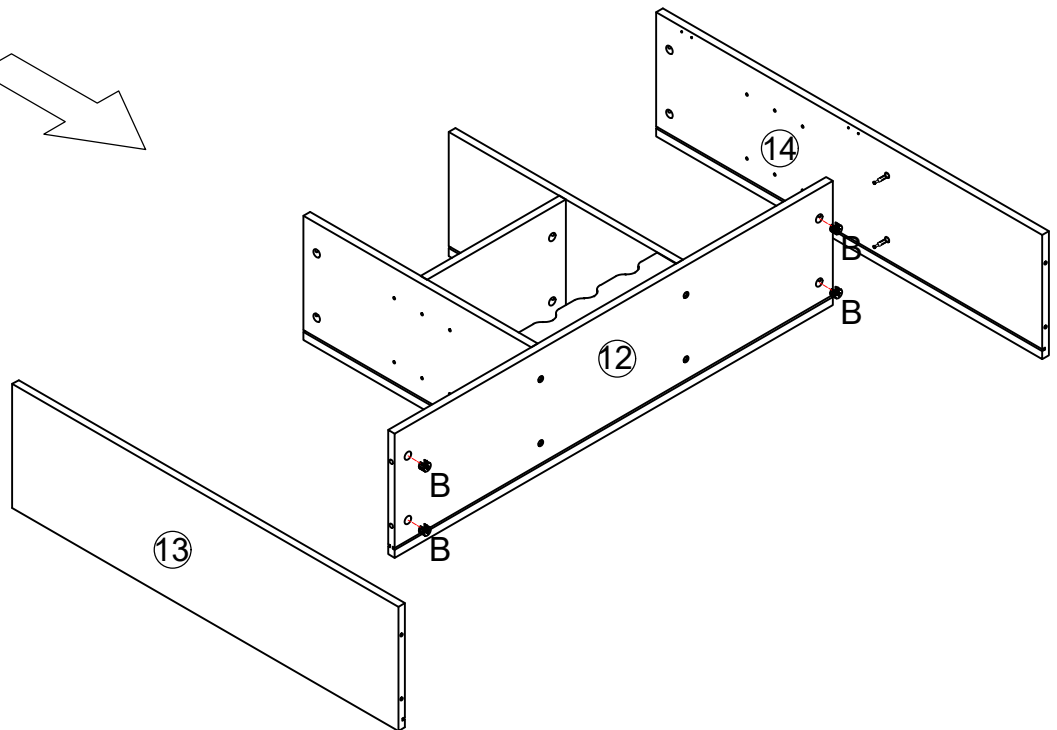
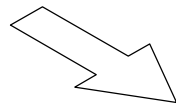
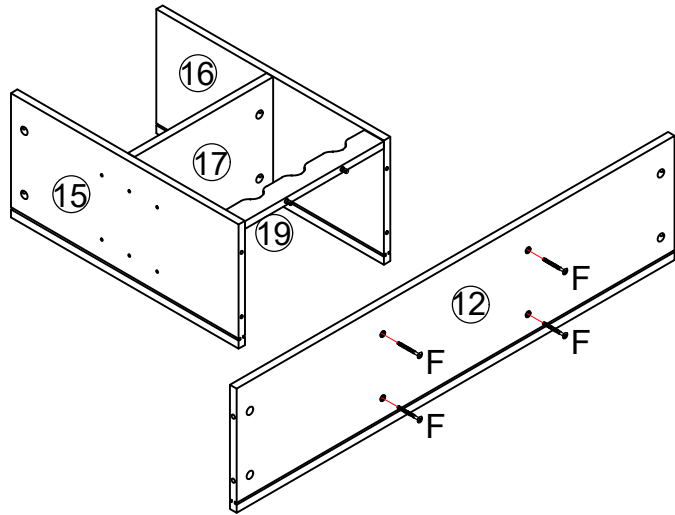
F*6

7



B*4

8

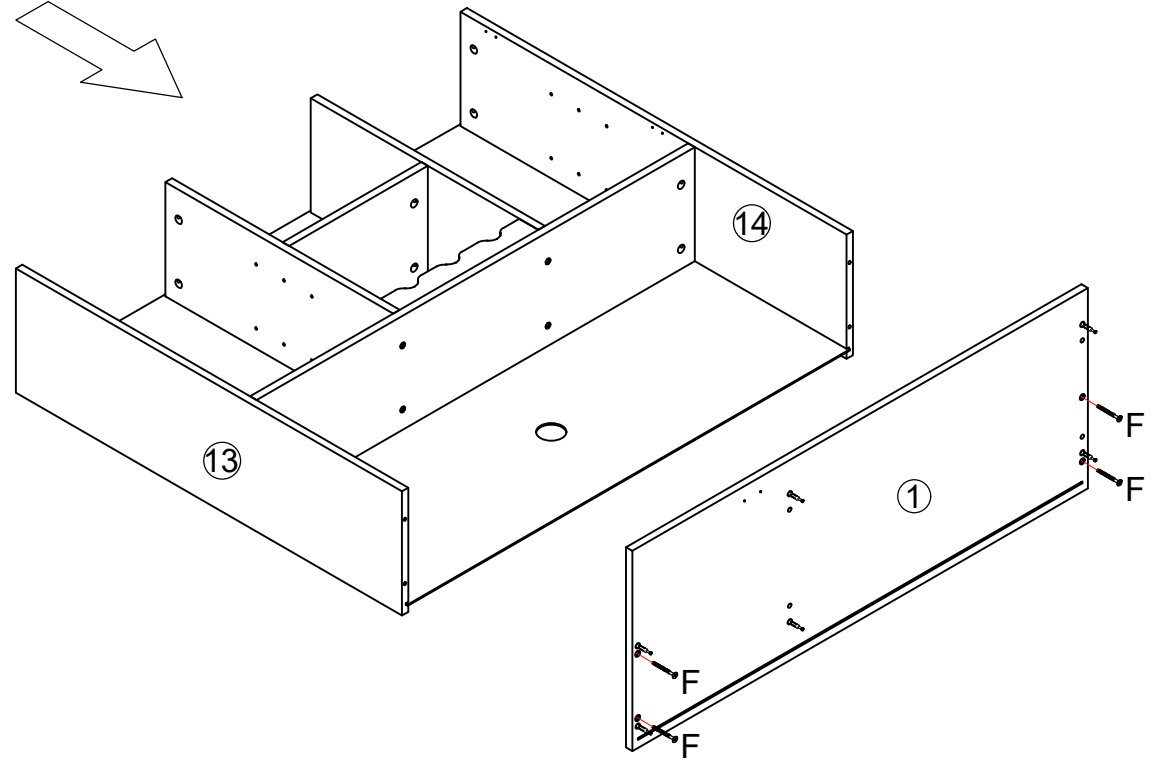
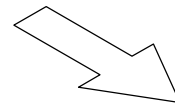
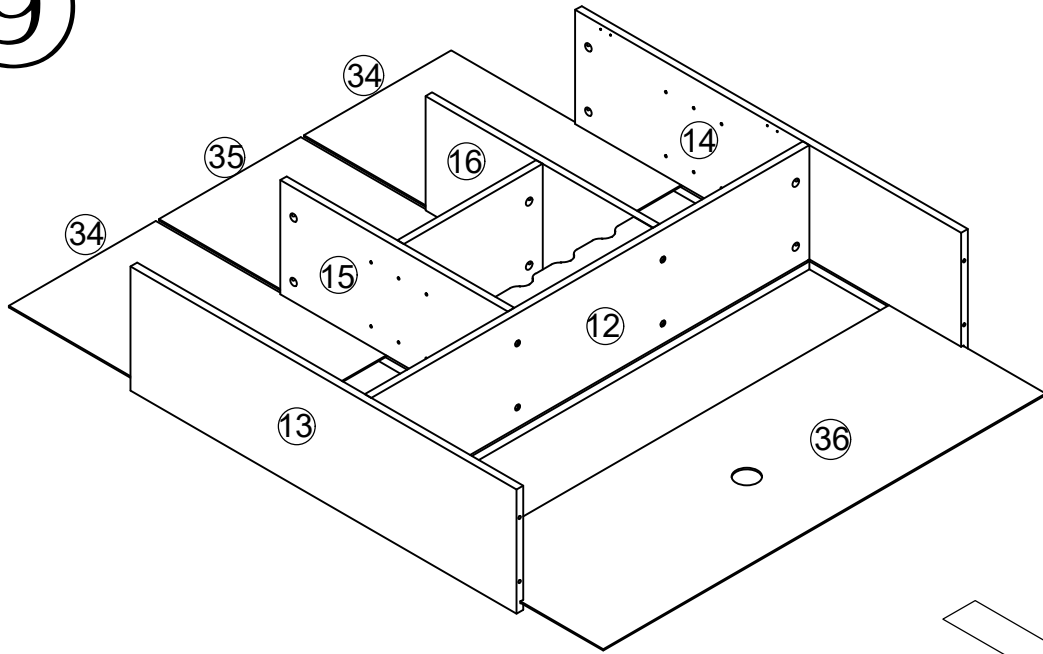


B*4



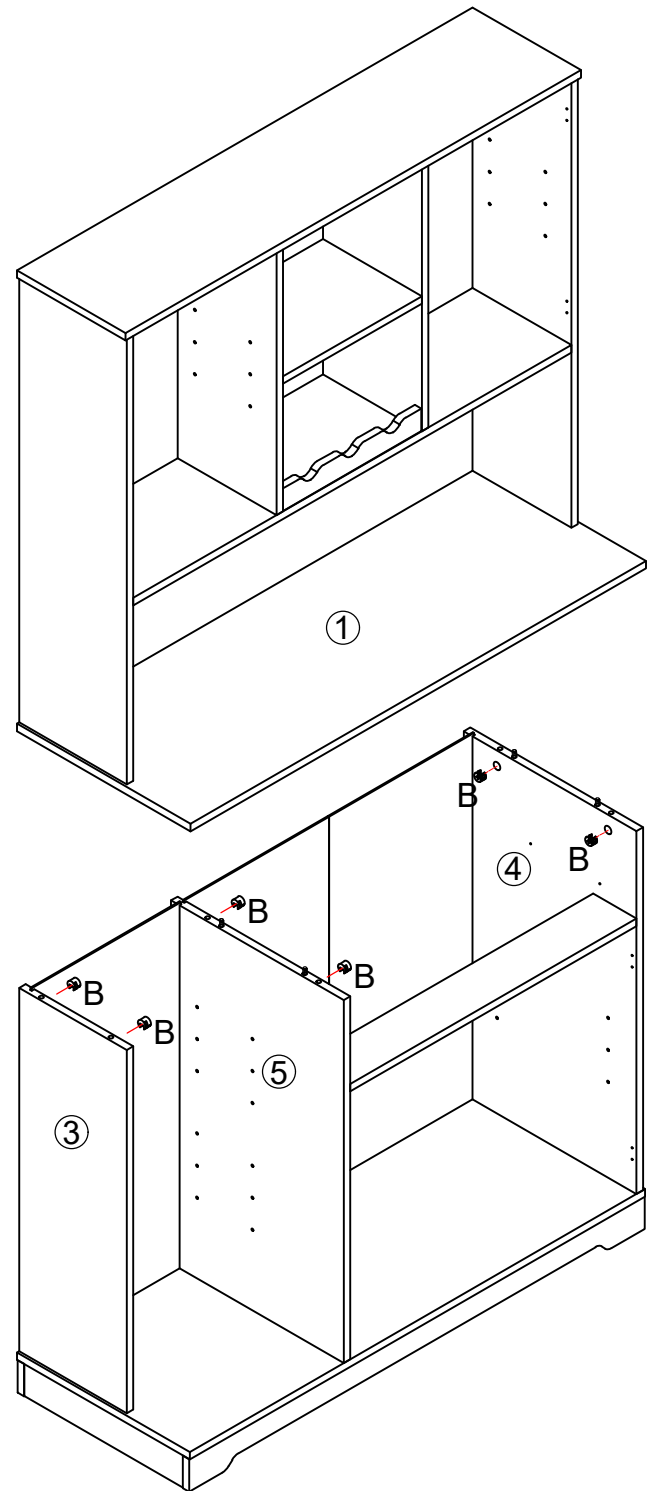
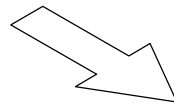
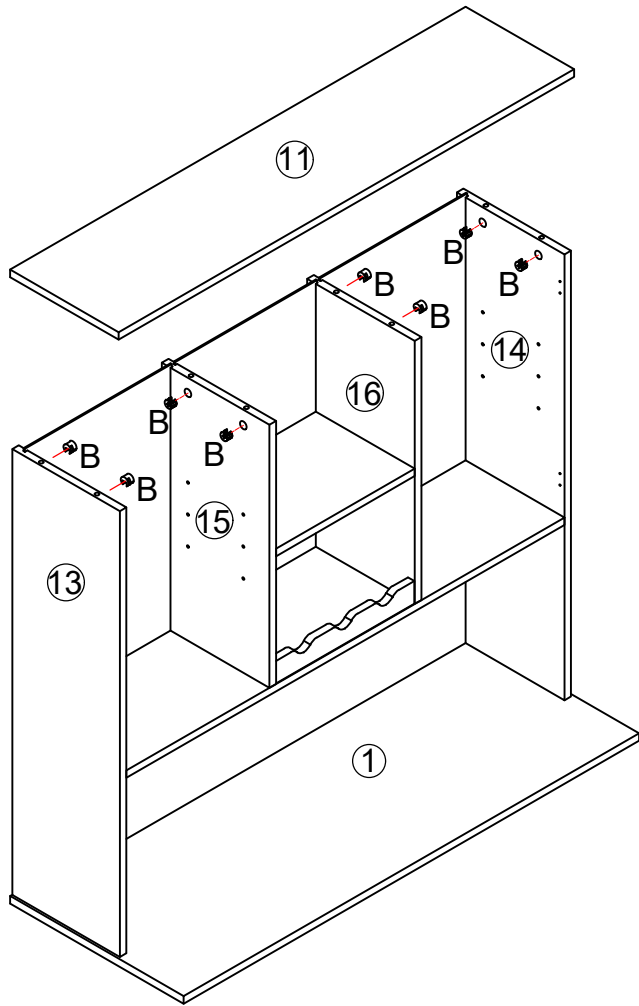
F*4

9



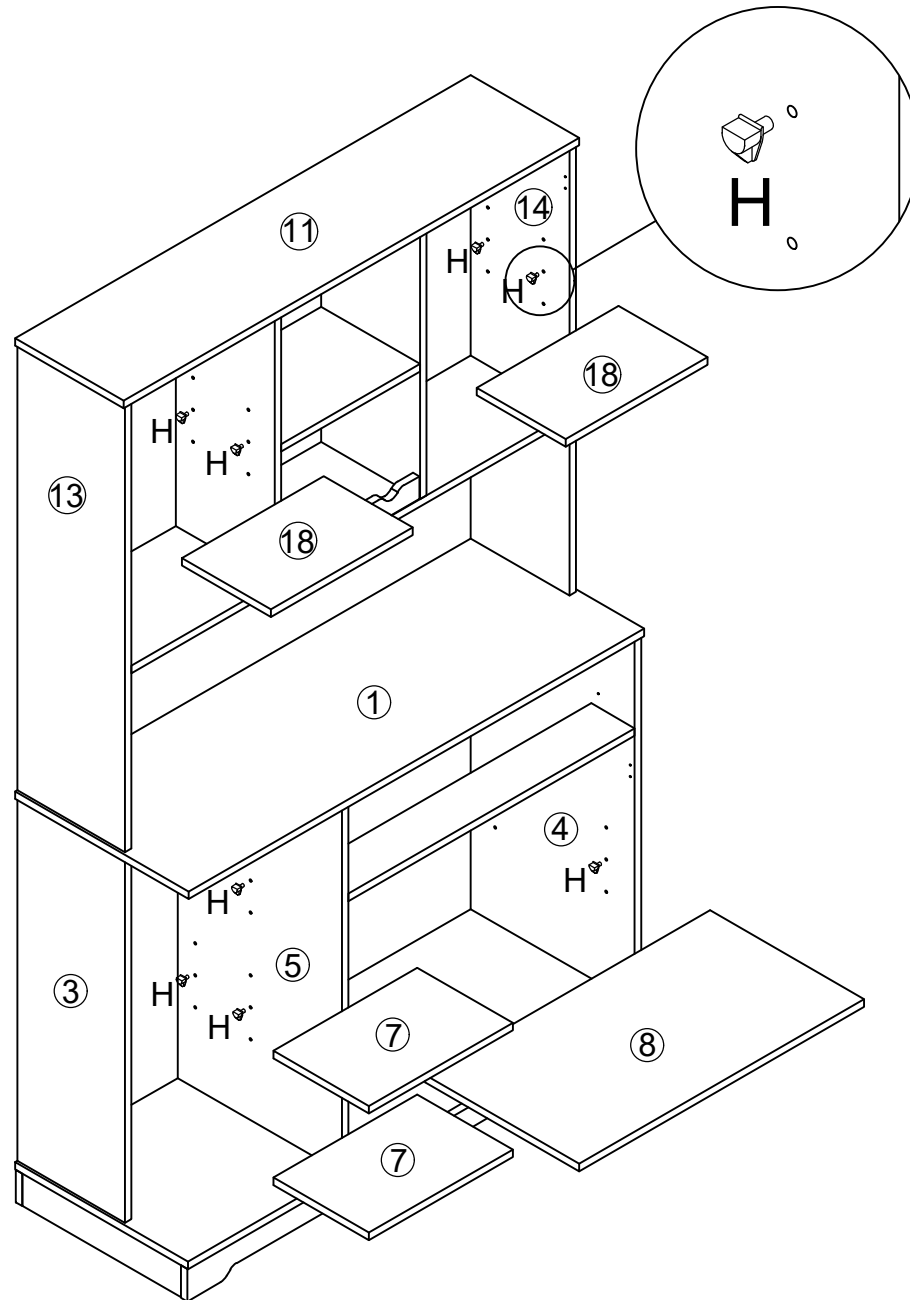
F*4

10



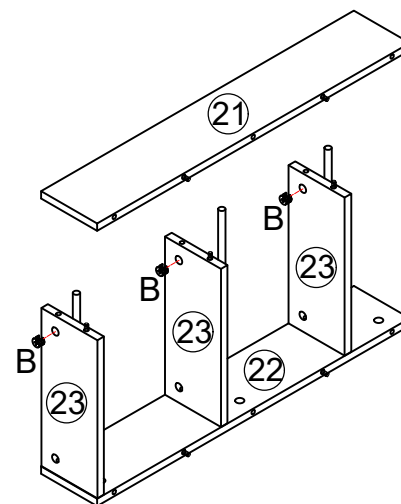
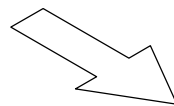
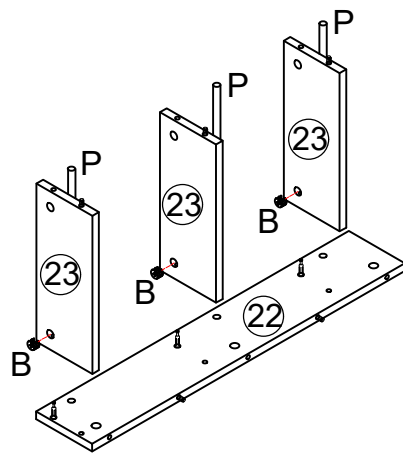
B*14

11



H*20

12

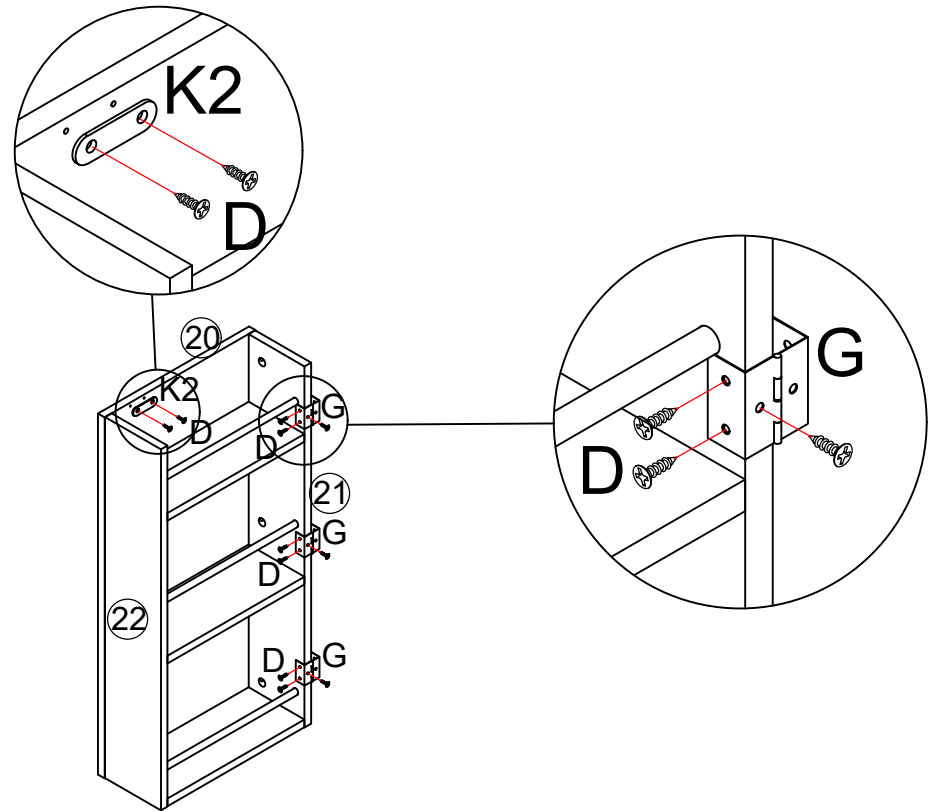
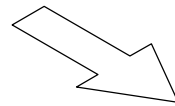
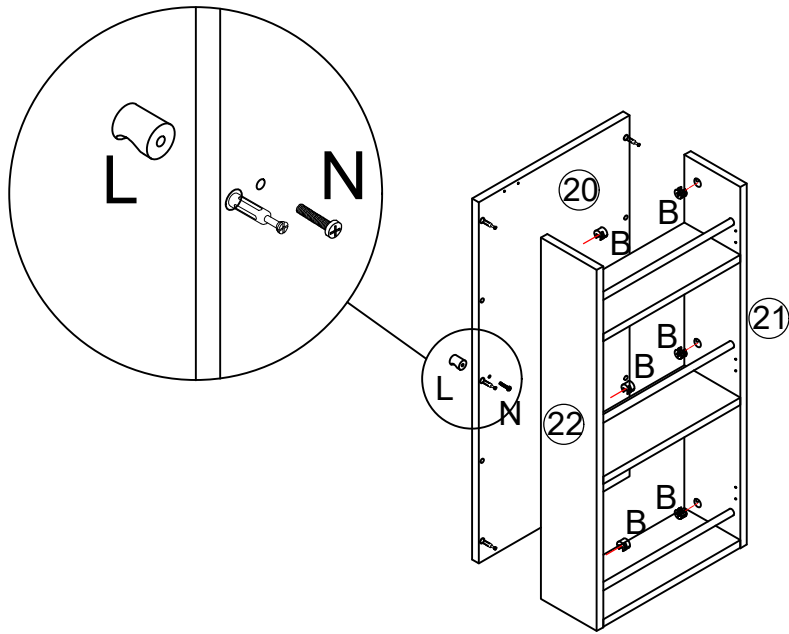


B*6



P*3

13



B*6



D*11



K2*1



G*3

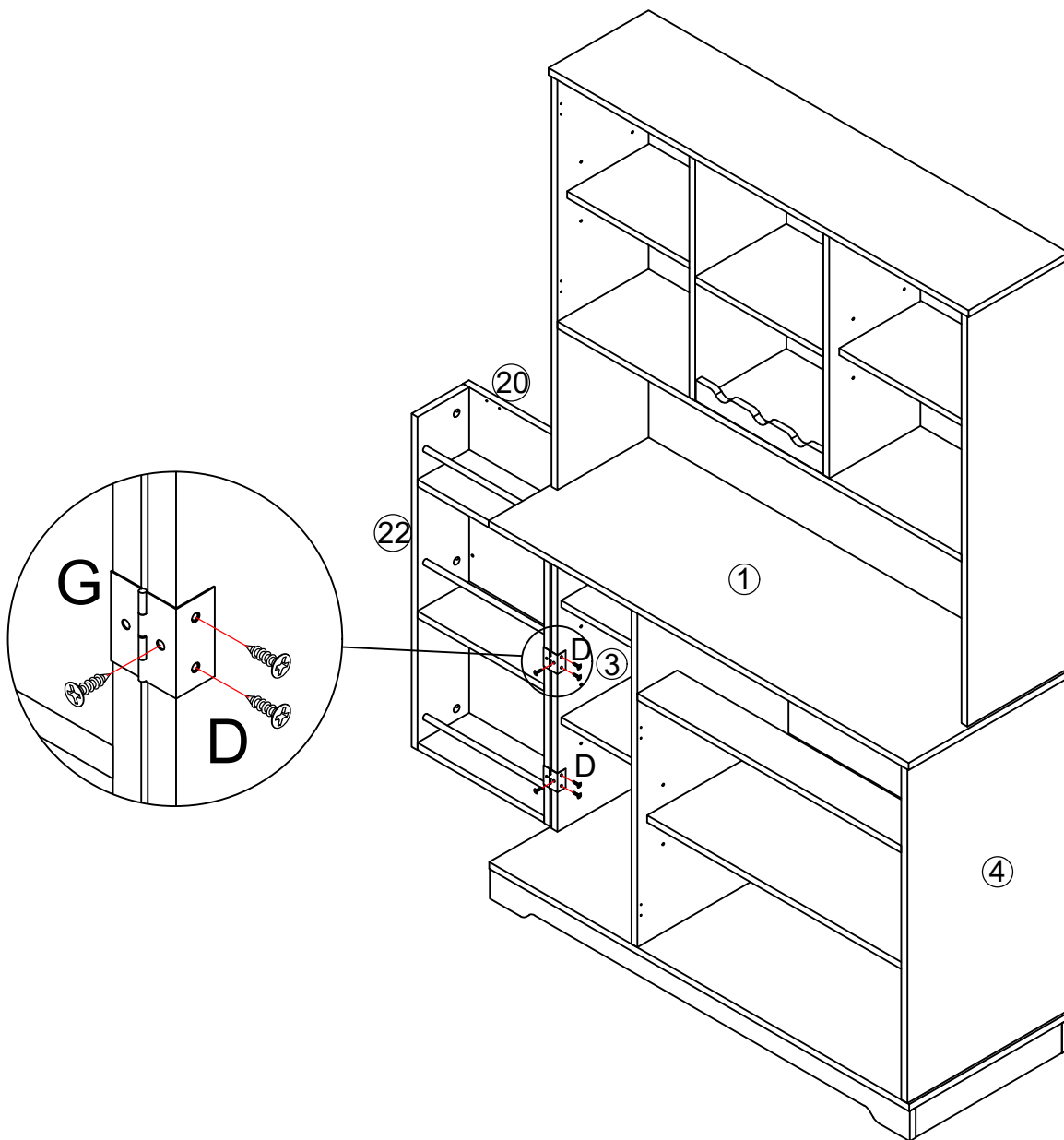


L*1



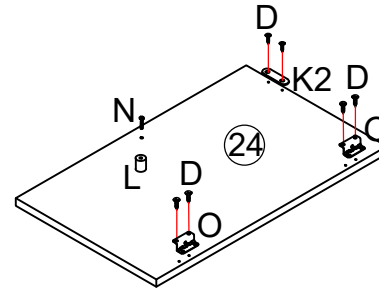
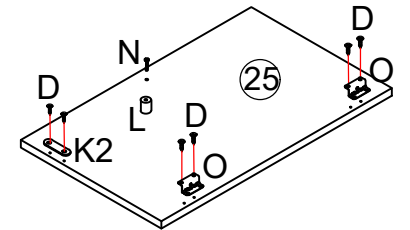
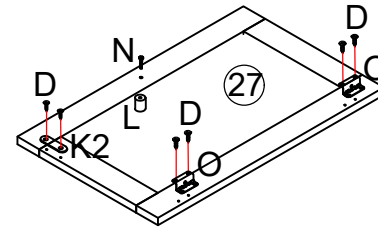
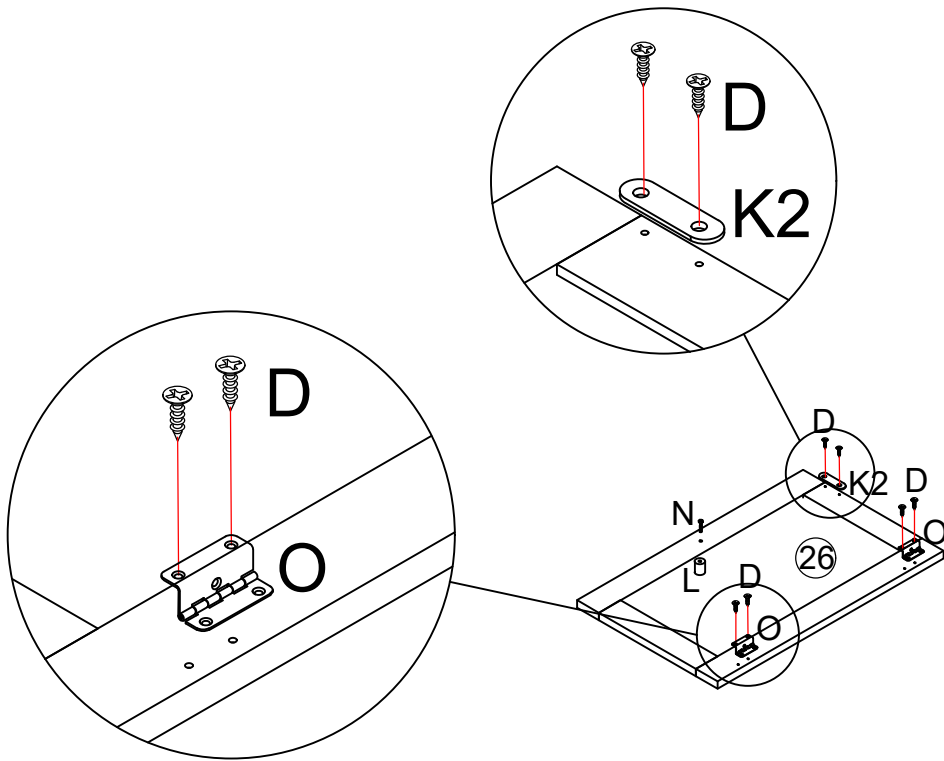
N*1

14



D*9

15



D*24



K2*4



L*4

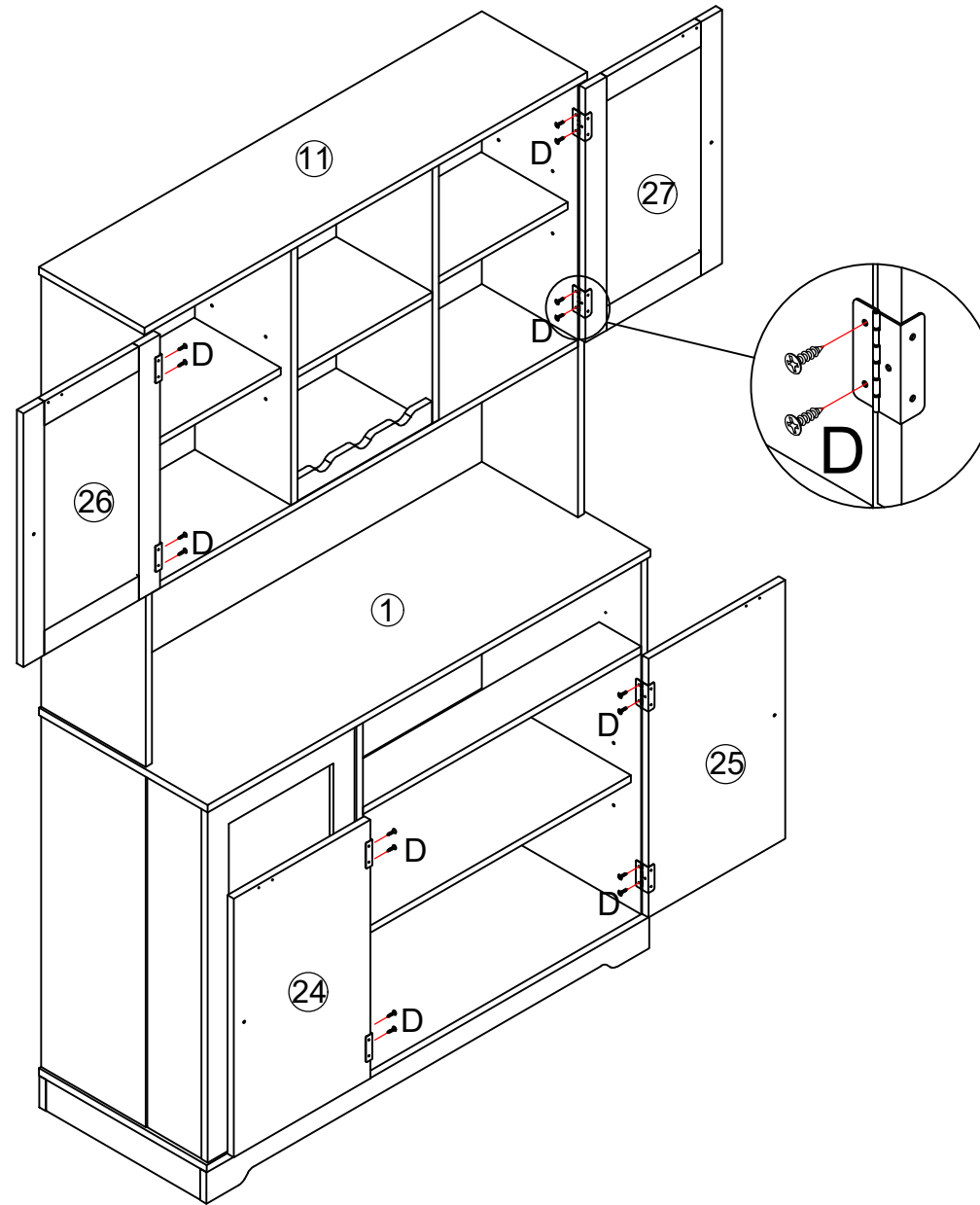


N*4



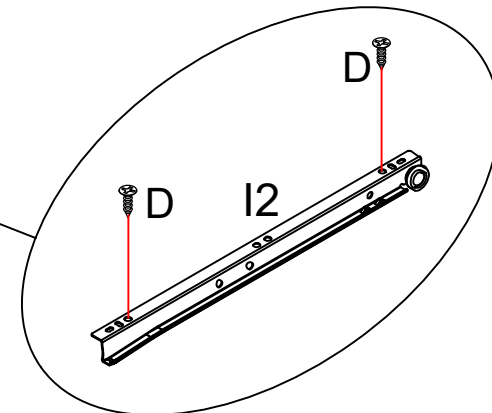
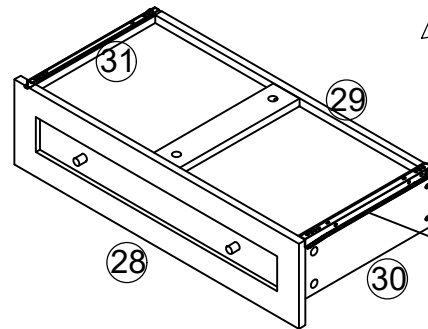
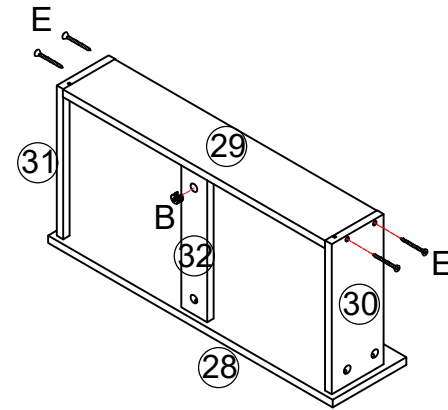
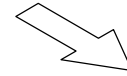
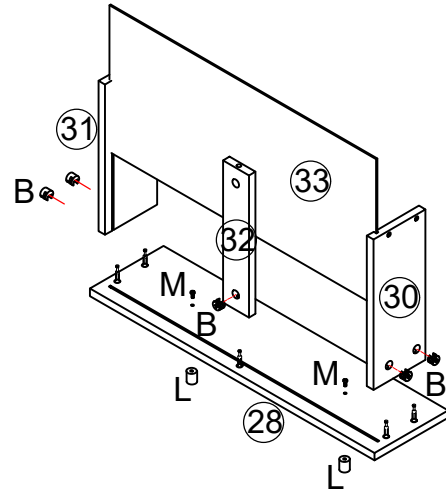
O*8



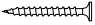
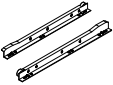


16



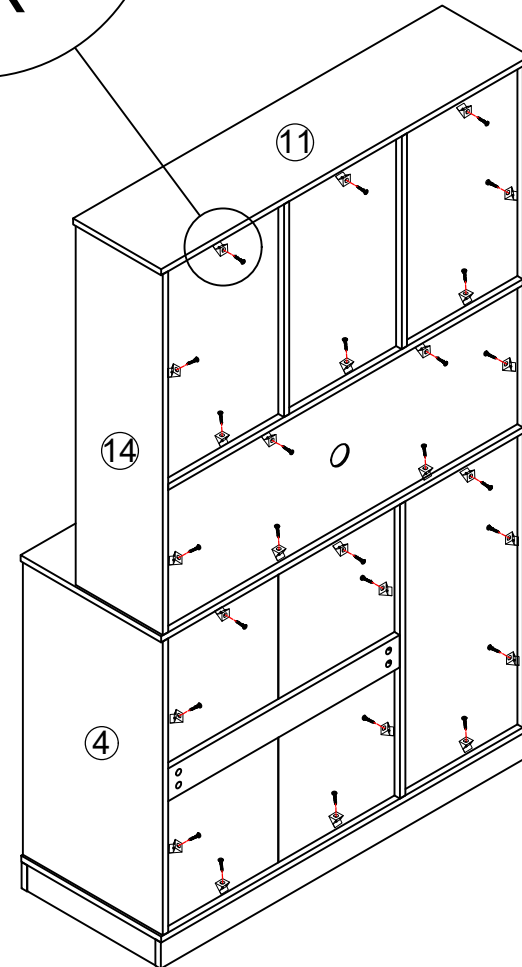
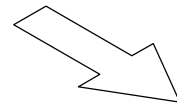
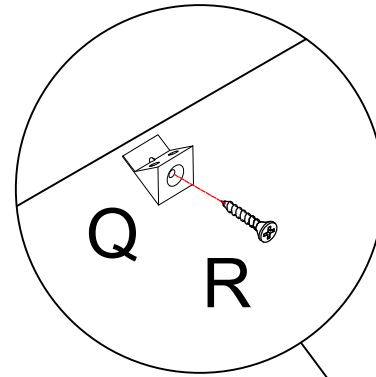
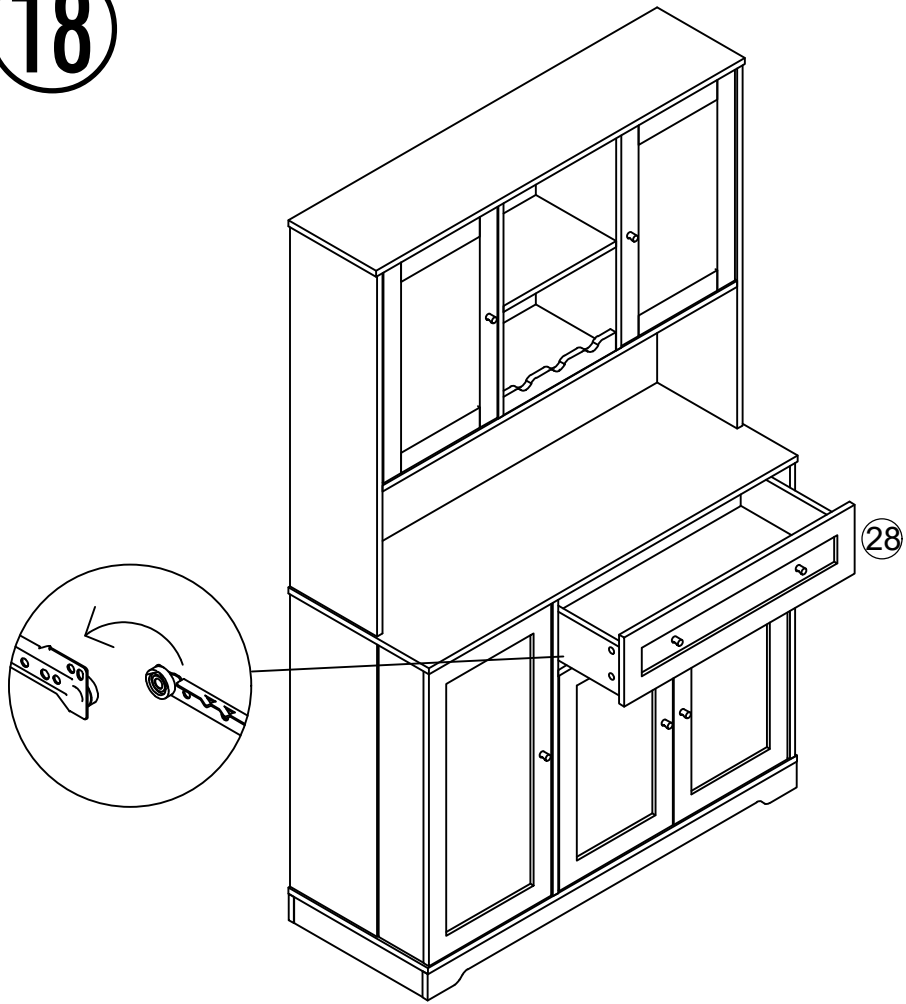
D*24

17



	B*6
	D*4
	E*4
	I2*1
	L*2
	M*2

18

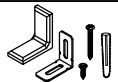
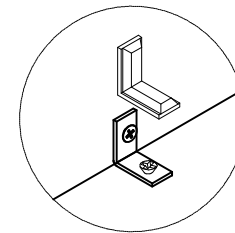
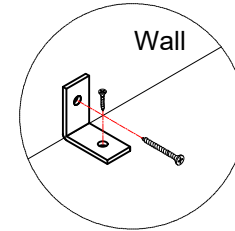
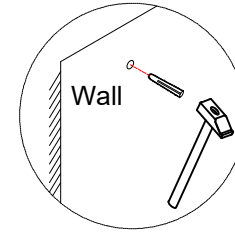
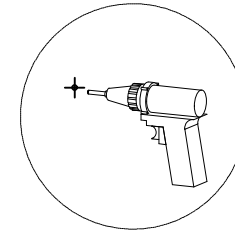
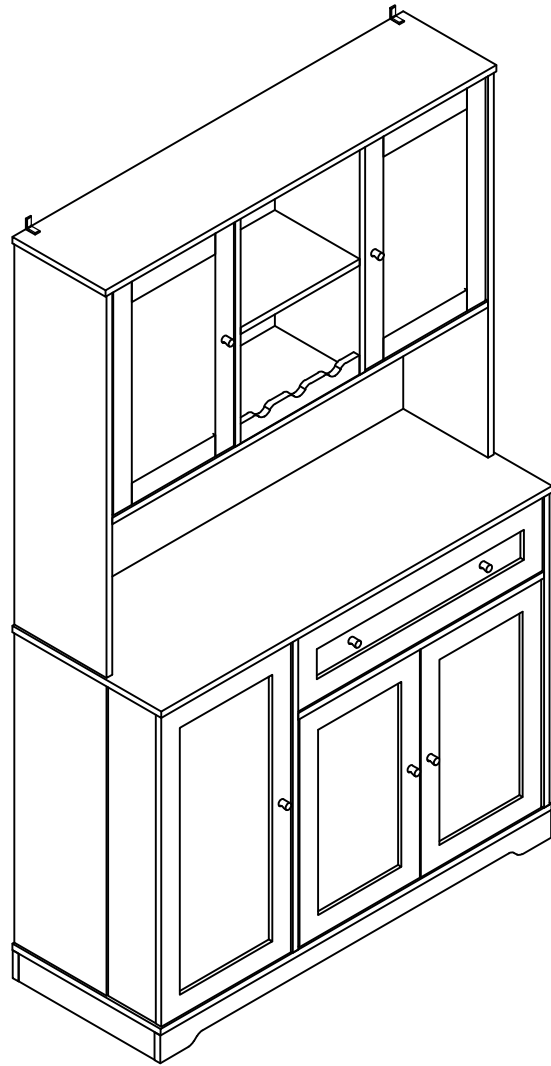


Q*26



R*26

19



J*2

Please install tip-proof fitting.