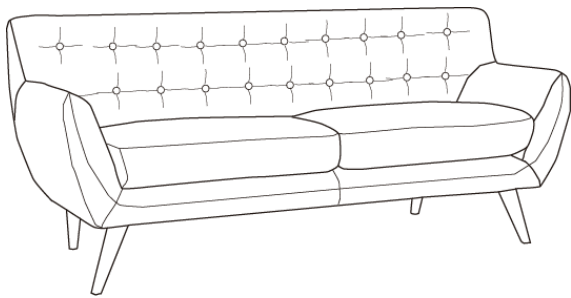


## 2 PIECE LIVING ROOM SET



Thank you for purchasing this **CHAIR/LOVESEAT/SOFA!**

Before you start, here is some helpful advice:

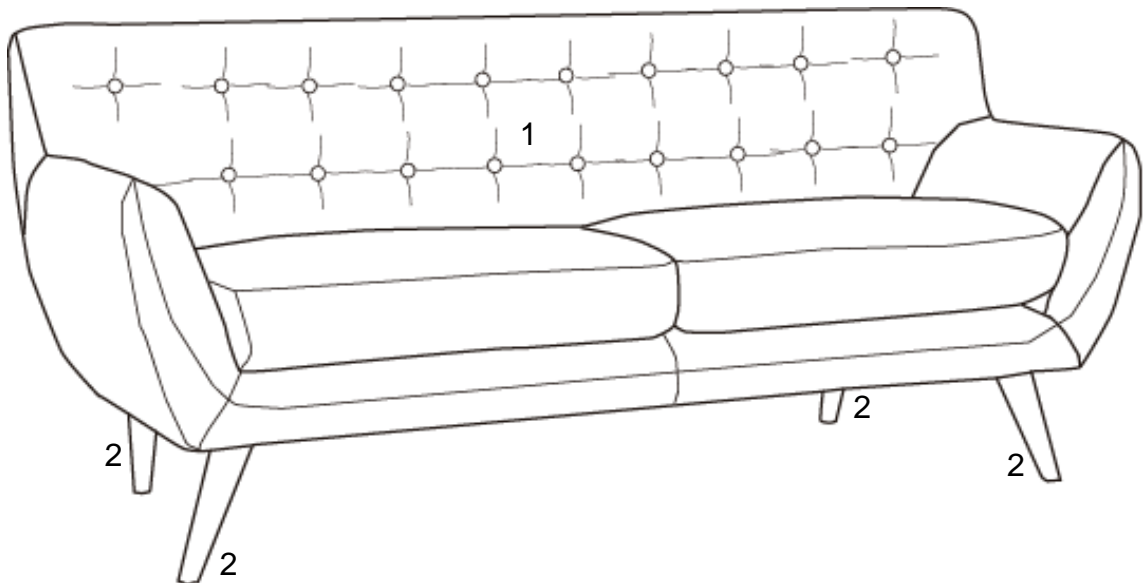
1. We suggest you spend a short time reading through this leaflet and then follow the simple step by step instructions.
2. Owing to the size and weight of the chair/loveseat/ sofa, we recommend that it is assembled by two adults, on a carpeted or padded area, in the room that it is intended for. Approximate assembly time: 15 minutes.
3. Please do not use any tools other than those provided or recommended in these instructions.
4. Please do not throw away any of the packaging or instructions until you have checked all the components and hardware and the furniture is fully assembled.
5. Assemble all components loosely until advised to tighten. Depending on use, it may be necessary to tighten the components from time to time, so please save the tools that have been provided.
6. Please keep all pieces out of reach of small children.



### Hardware:

A		Bolt	x16
B		Allen Wrench	x1

### Component:



1 Sofa Body x1

2 Leg x4

---

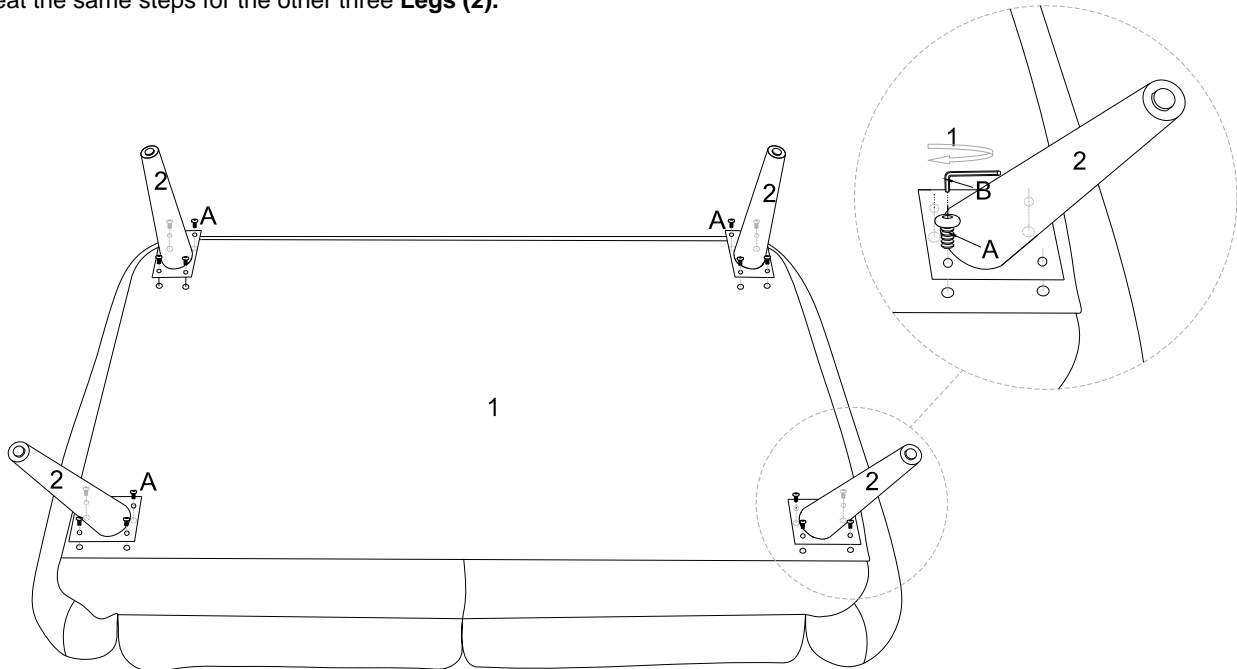
**STEP 1:**

Please find the package of Legs (2) on the top of the seat.

Please put the **Sofa Body (1)** upside down on a carpeted or padded surface without 2pcs seat cushion as shown. Attach 1pc of **Leg (2)** into the bottom of **Sofa Body (1)** by using 4pcs **Bolts (A)** through the holes on the bottom of **Sofa Body (1)** as shown.

Use **Allen Wrench (B)** to tighten the **Bolts (A)** clockwise until secure.

Repeat the same steps for the other three **Legs (2)**.



	
Ax16	Bx1

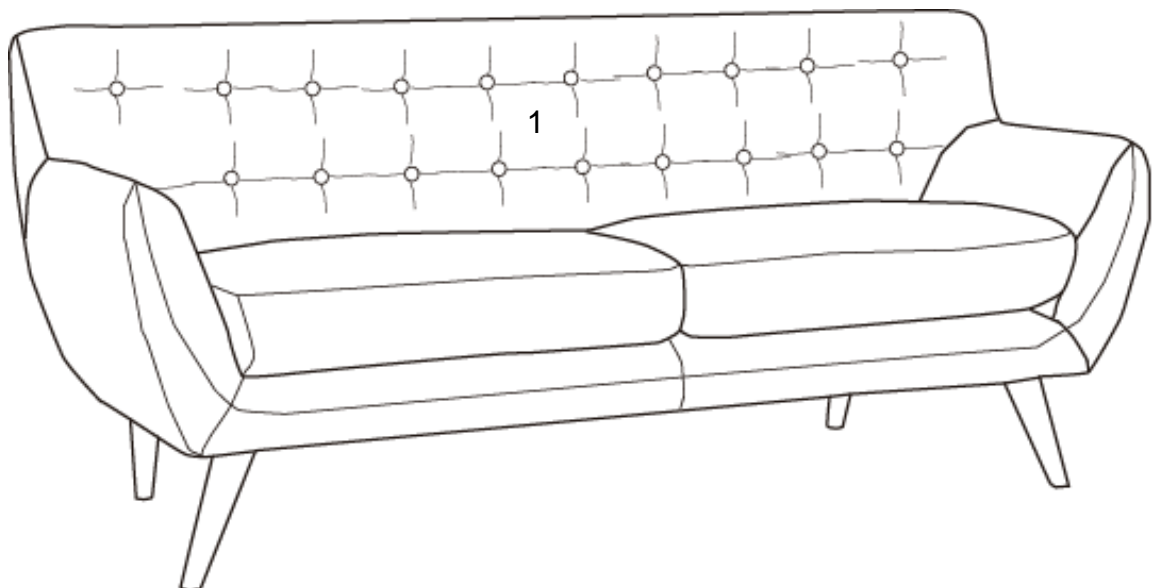
Hardware & Tool required

---

**STEP 2:**

Carefully turn over the sofa.

Put the 2pcs Seat Cushions back to the **Sofa Body (1)** as shown.



Assembly is completed. The sofa is ready to enjoy now!