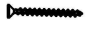





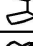


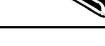
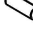
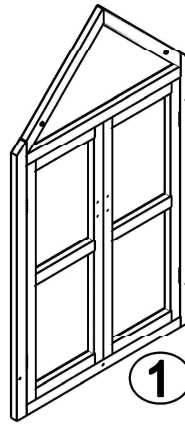
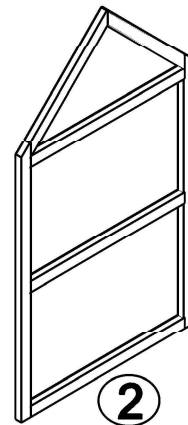


Assembly Instructions

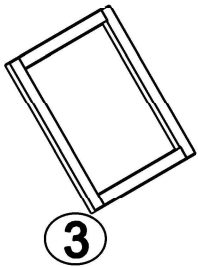
A	M3. 5*40		10PCS
B	M3. 5*35		7PCS
C	M3. 0*14		14PCS
D	M3. 0*23		4PCS
E			2PCS
F			4PCS
G			4PCS
H			8PCS
I			2PCS
J			2PCS
K	ø8*25 spare		4PCS



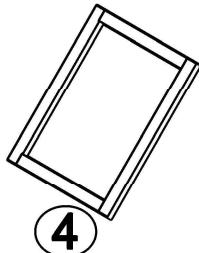
1



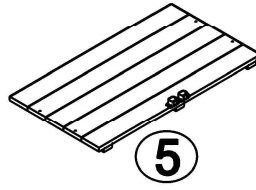
2



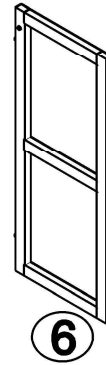
3



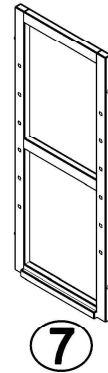
4



5



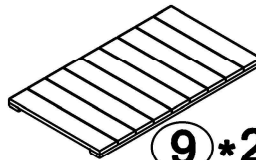
6



7



8 * 2 + 1 spare

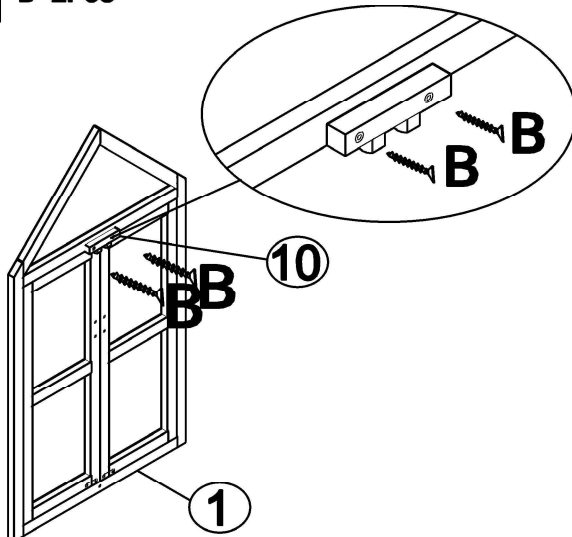


9 * 2

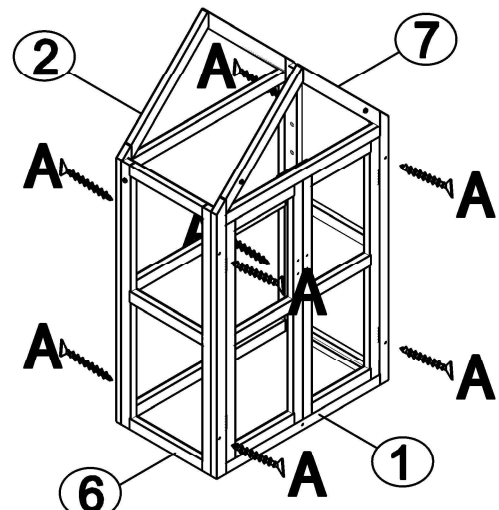


10

Step 1 B 2PCS

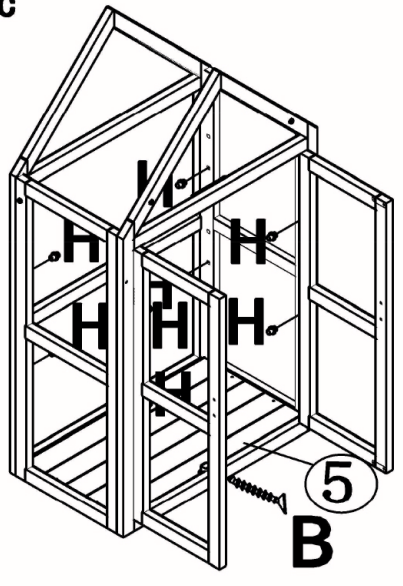


Step 2 A 8PCS



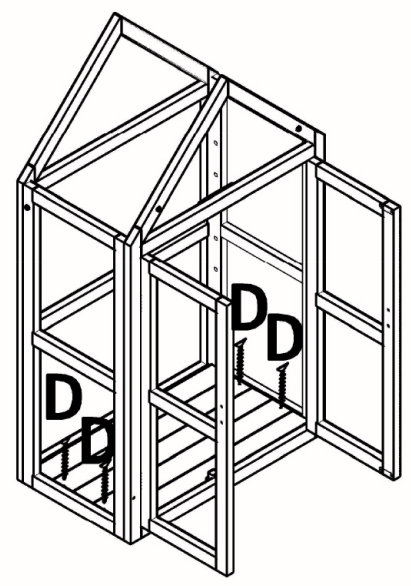
Step 3

H 8PCS
B 1PC



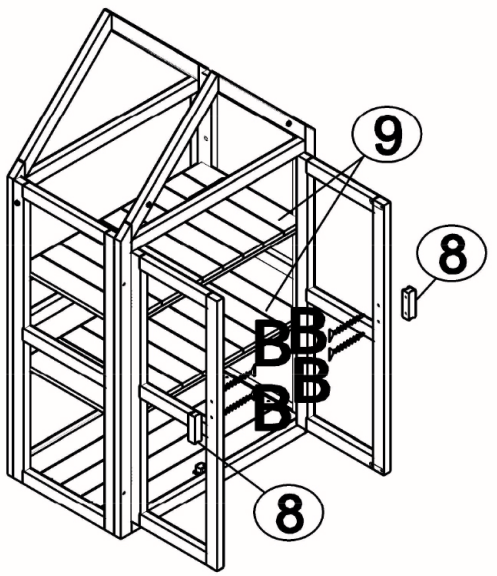
Step 4

D 4PCS



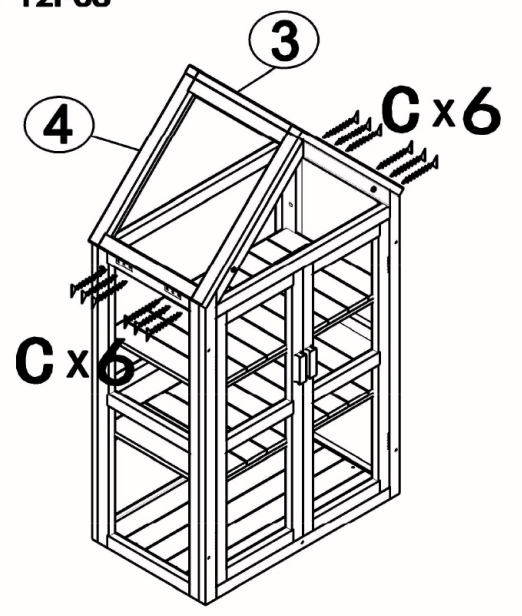
Step 5

B 4PCS



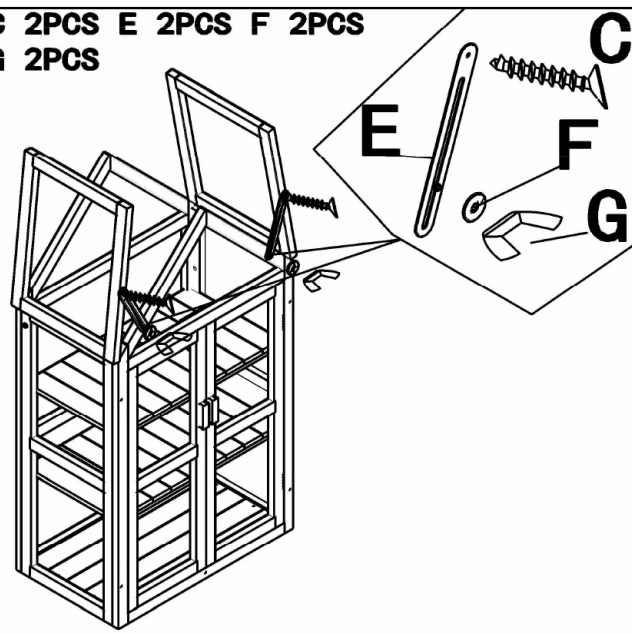
Step 6

C 12PCS



Step 7

C 2PCS E 2PCS F 2PCS
G 2PCS



Step 8

A 2PCS F 2PCS
G 2PCS I 2PCS
J 2PCS

