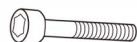


# ASSEMBLY INSTRUCTIONS

1\*1



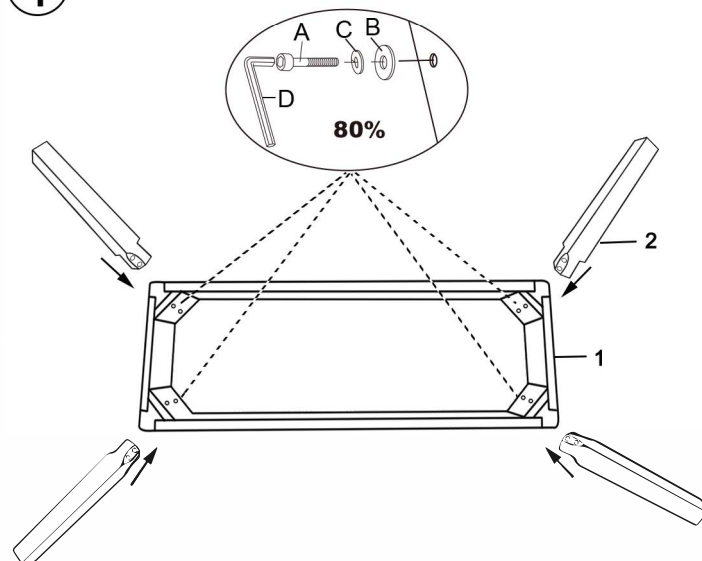
A\*8



B\*8

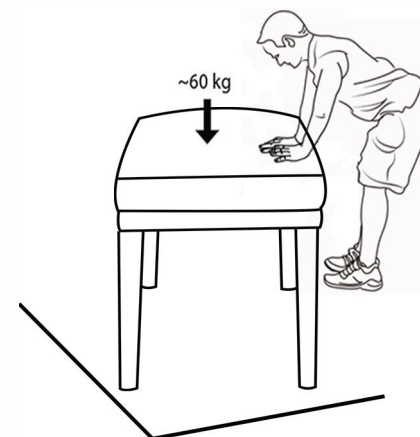


①



Put the screws in the holes, tight the screws, but not too tight, 80% is ok.

②



Place the chair on an even surface.  
Put a load of approx. 60KG on to the seat.  
Adjust until all 4 legs are level – before you carefully tighten the screws.

2\*4



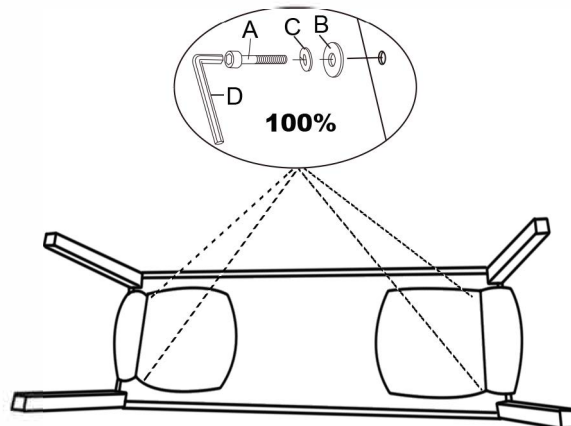
C\*8



D\*1

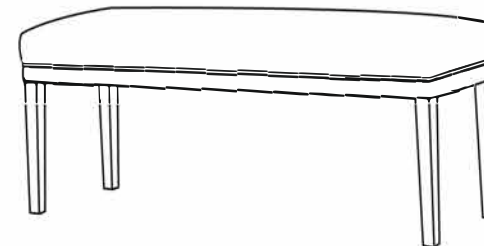


③



Tight all the screws to 100%.

④



NOTE! The screws must be tightened after a period of use, and thereafter as required.