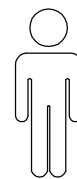
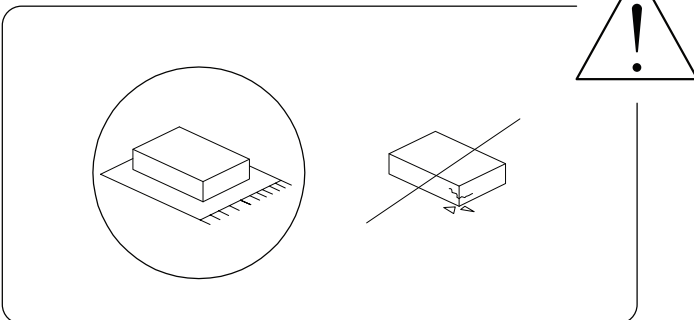
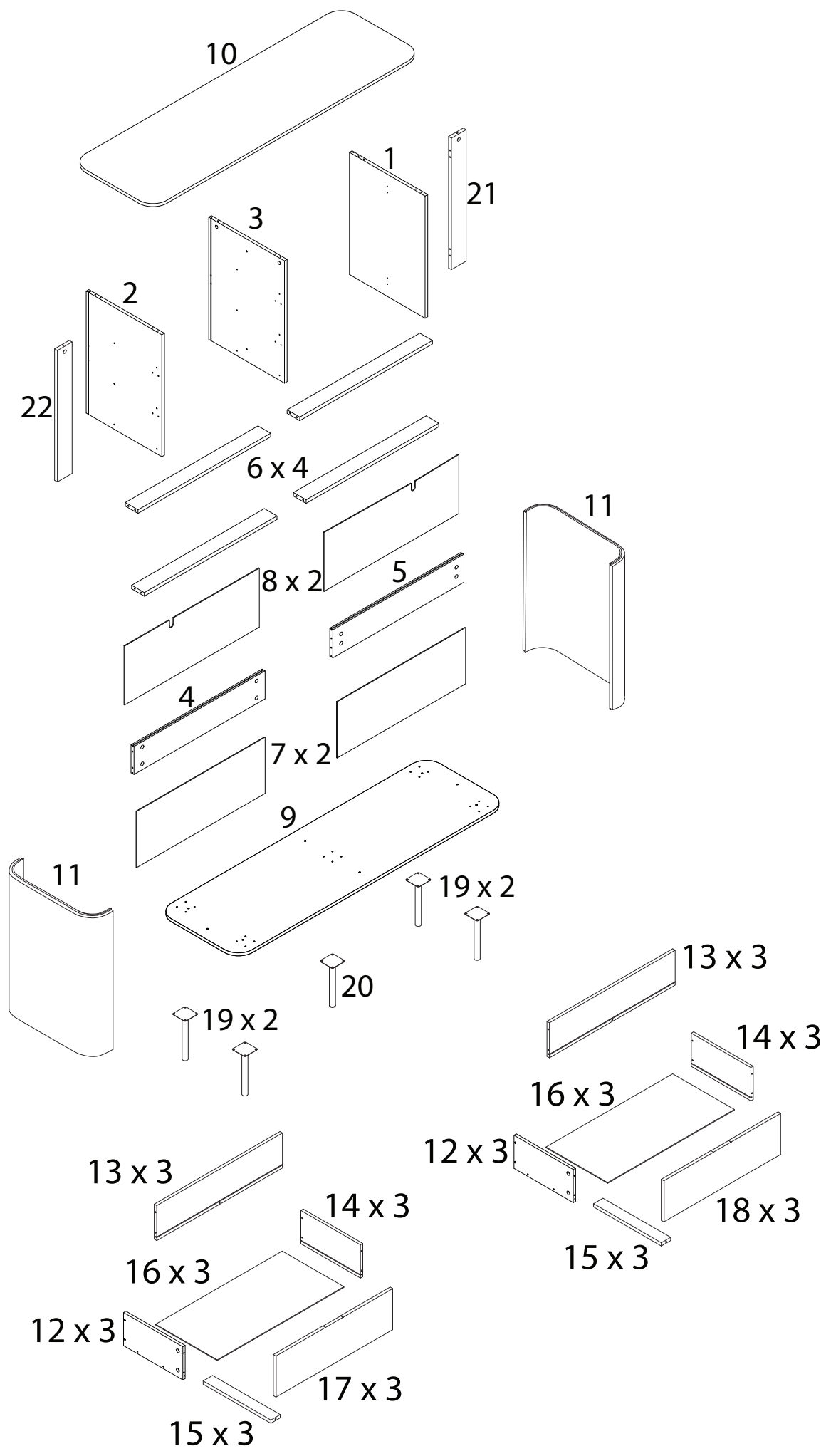
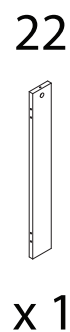
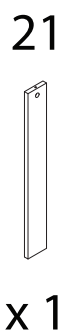
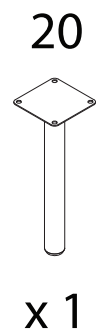
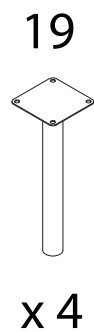
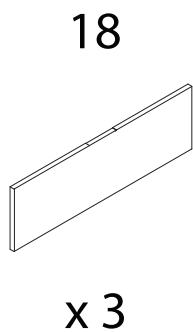
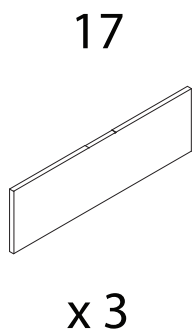
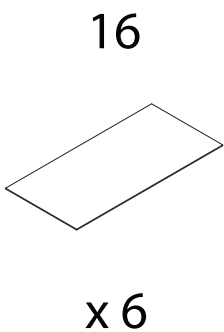
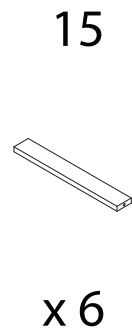
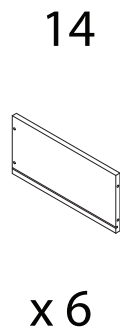
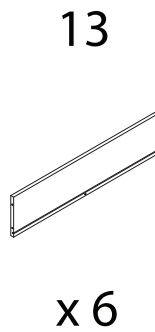
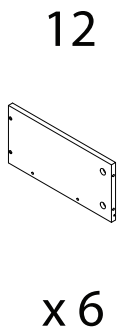
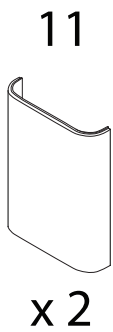
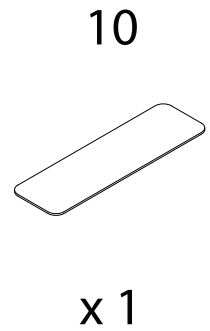
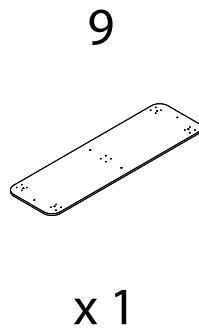
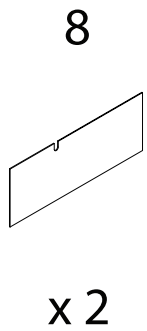
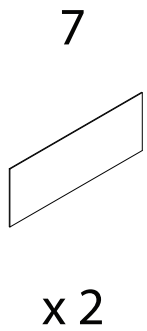
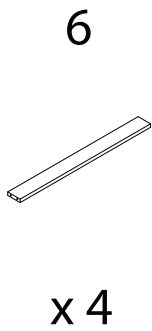
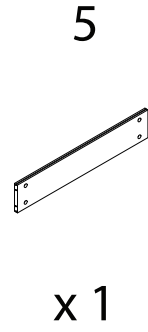
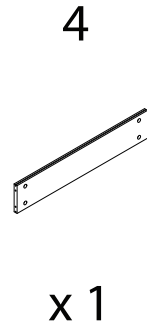
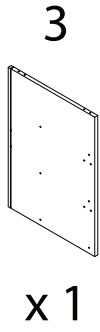
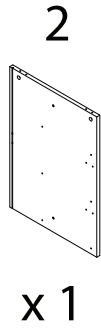
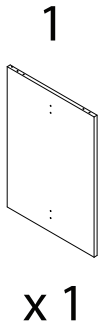


60'



2



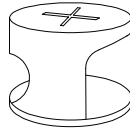


A



x 54

B



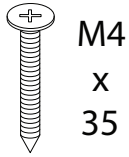
x 54

C



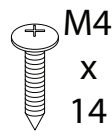
x 24

D



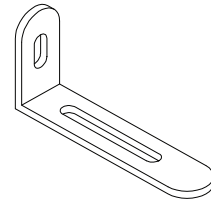
x 44

E



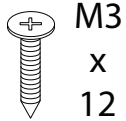
x 22

F



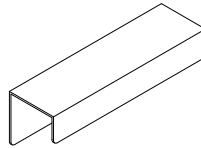
x 2

G



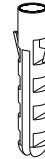
x 60

H



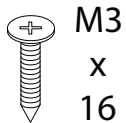
x 6

I



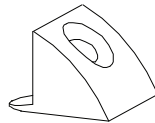
x 2

J



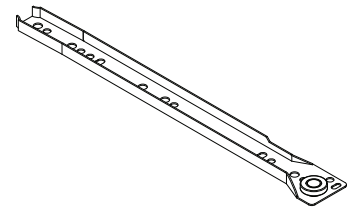
x 16

K



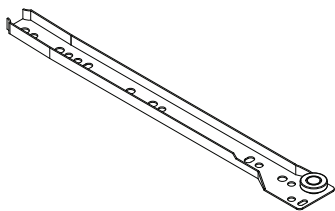
x 16

L



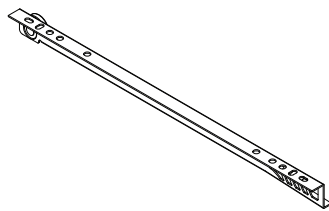
x 6

M



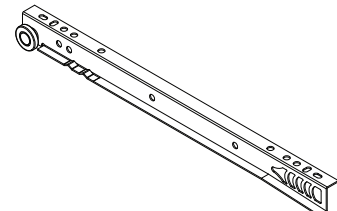
x 6

N



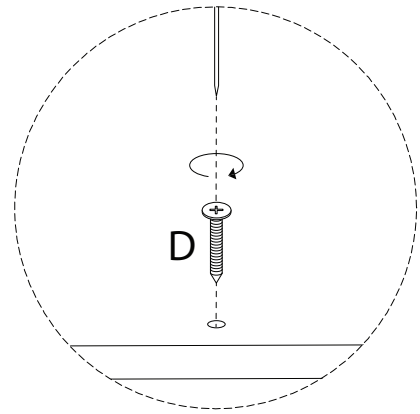
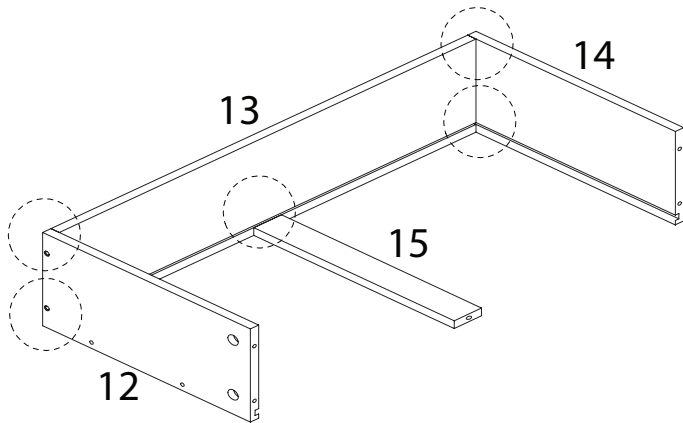
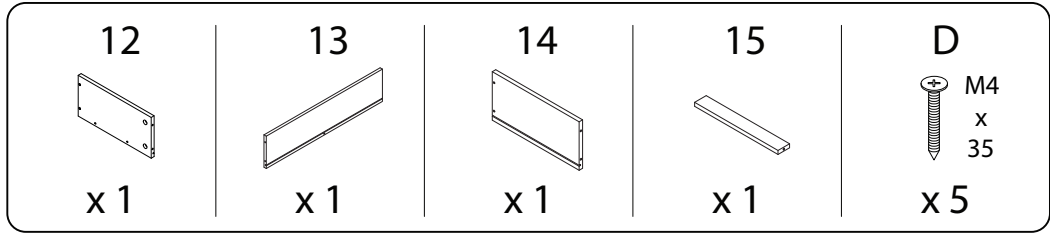
x 6

O

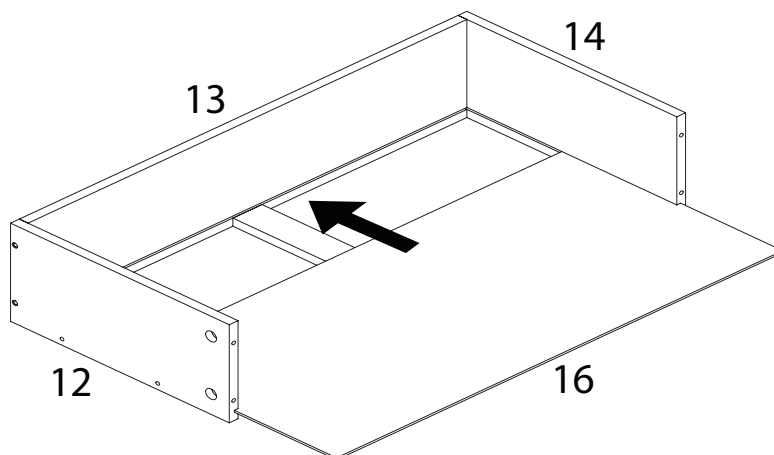
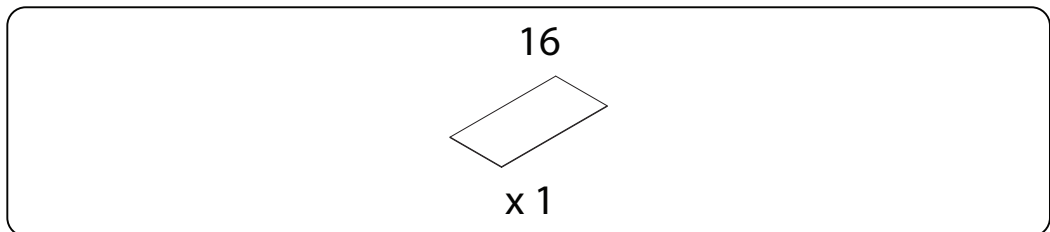


x 6

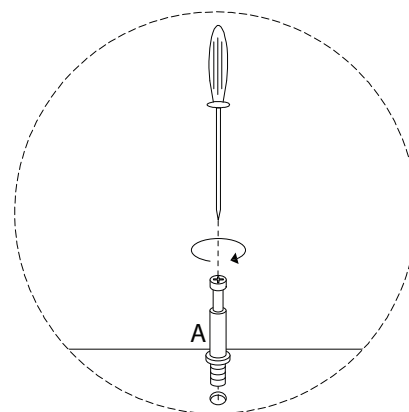
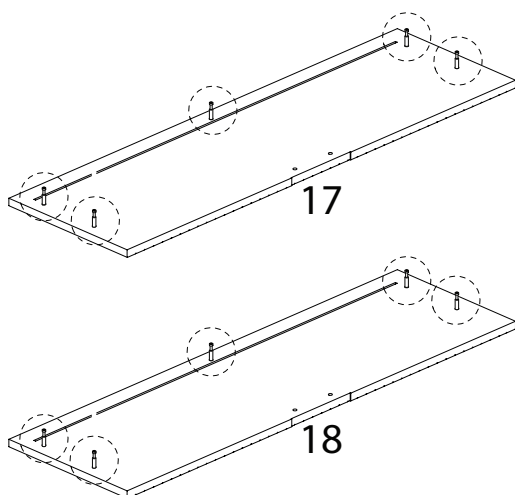
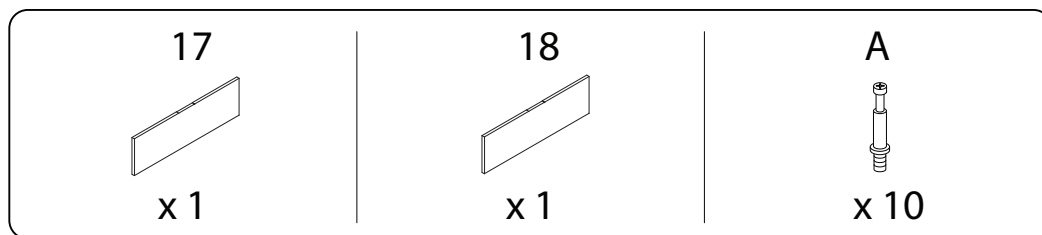
1 x 6



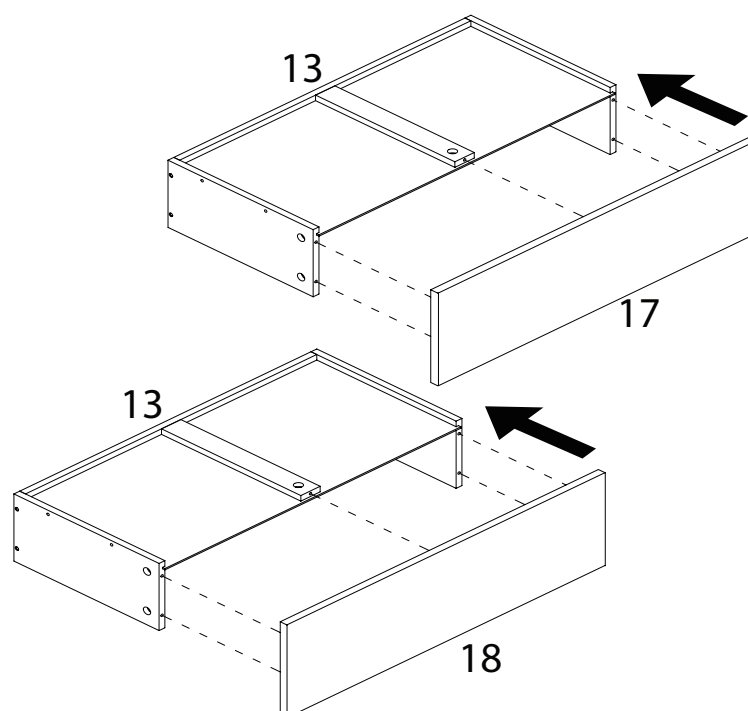
2 x 6



3 x 3



4 x 3

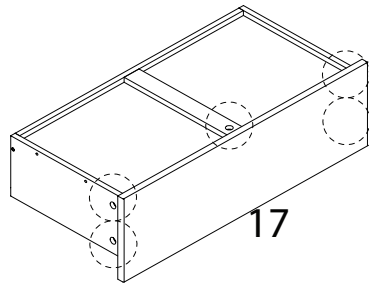


5 x 3

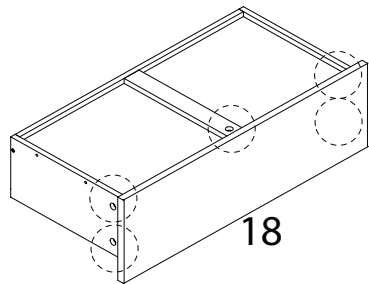
B



x 10

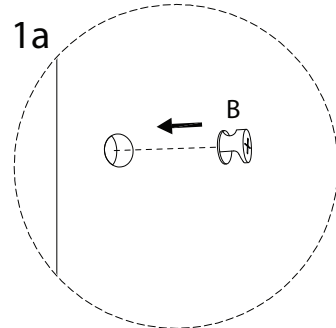


17

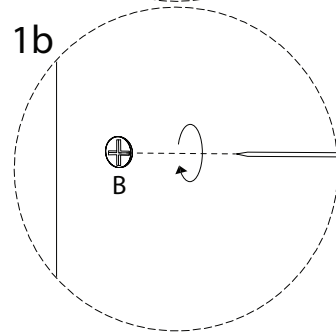


18

1a



1b



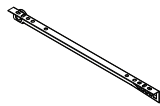
6 x 3

G



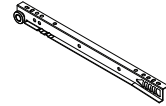
x 8

N

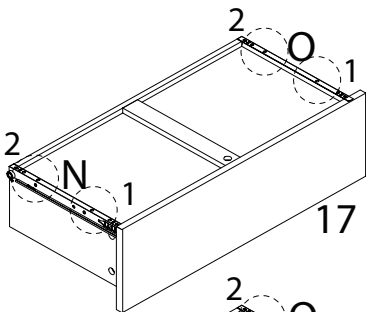


x 2

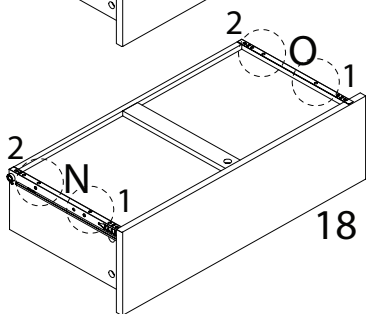
O



x 2

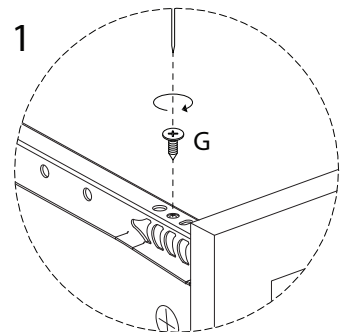


17

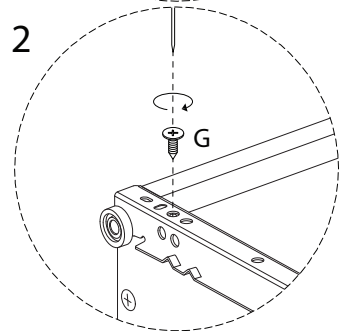


18

1



2



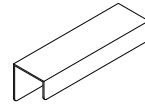
7 x 3

G

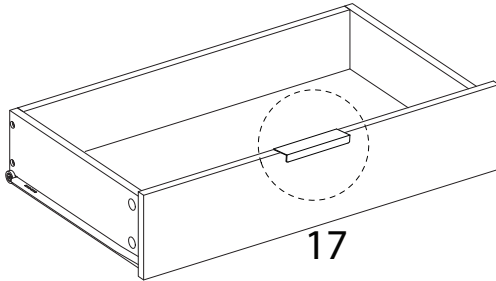


x 4

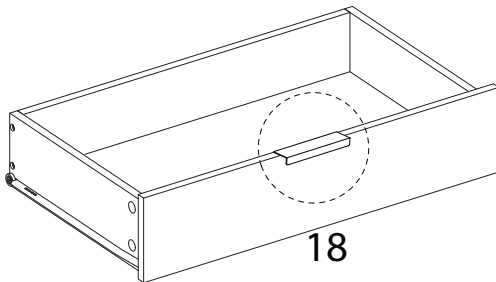
H



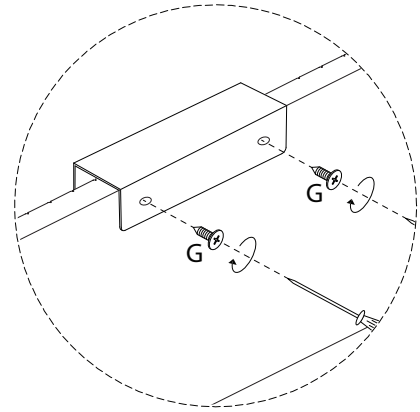
x 2



17

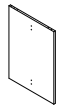


18



8

1



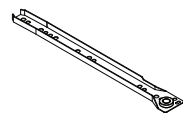
x 1

G

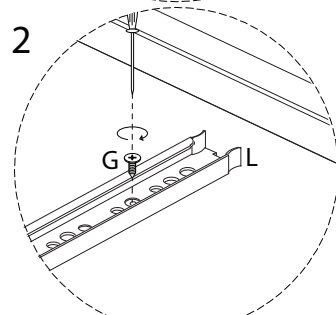
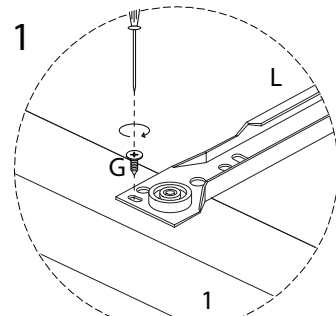
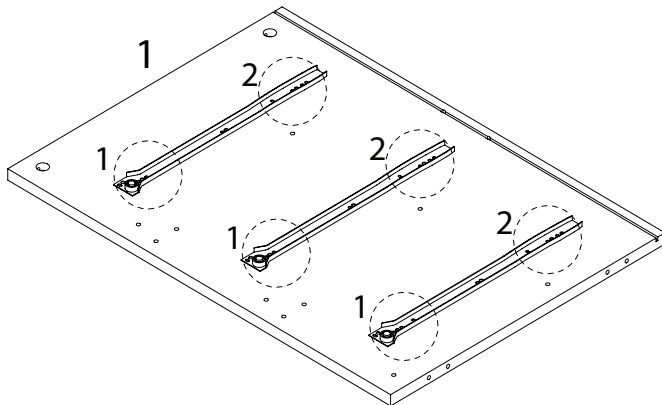


x 6

L

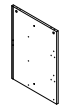


x 3



9

2



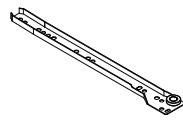
x1

G

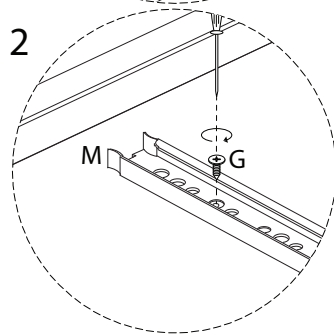
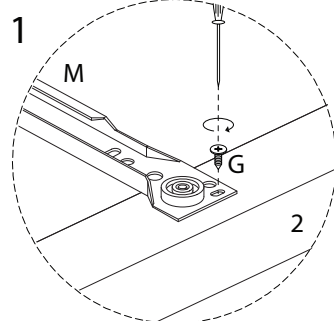
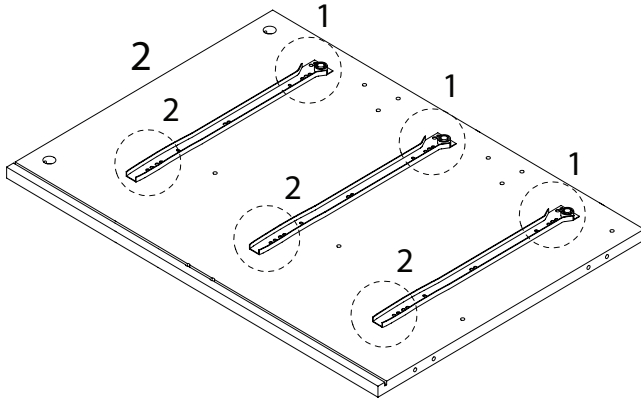


x6

M



x3

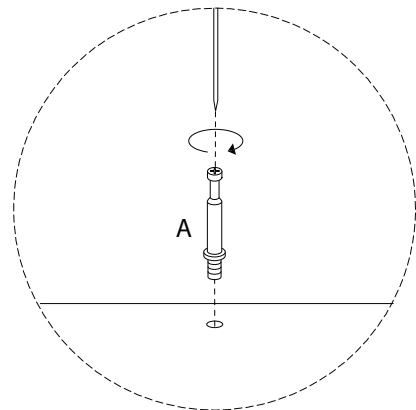
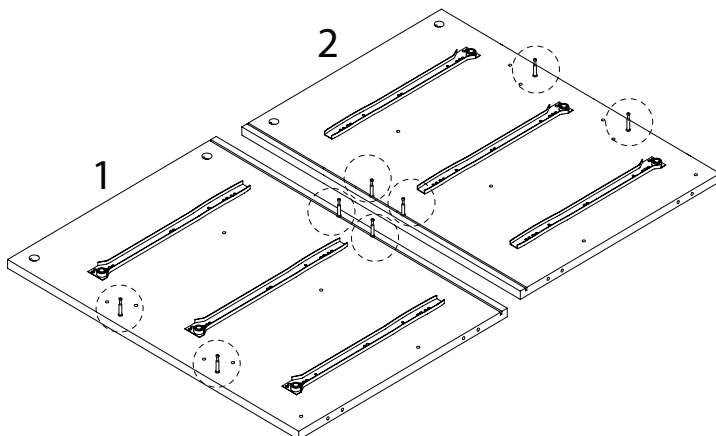


10

A

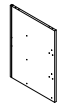


x8



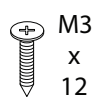
11

3



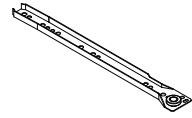
x 1

G

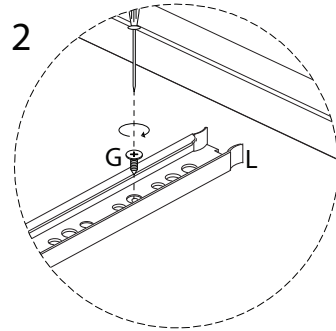
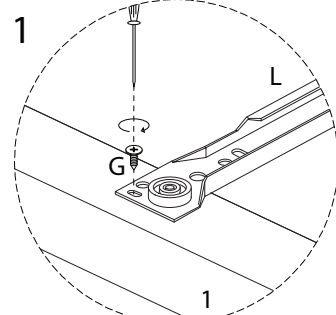
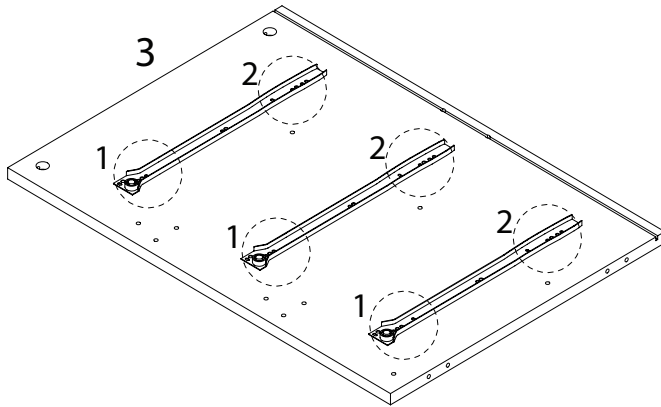


x 6

L

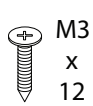


x 3



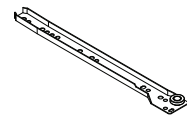
12

G

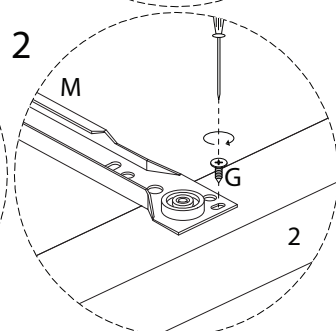
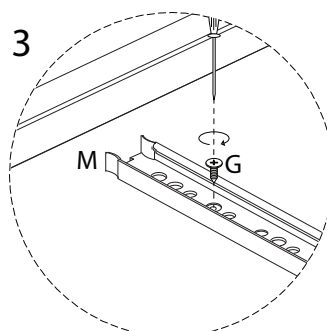
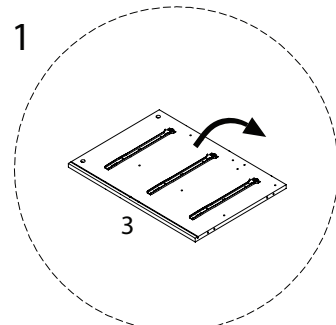
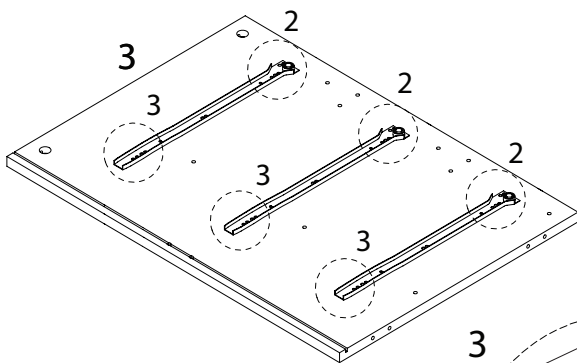


x 6

M



x 3

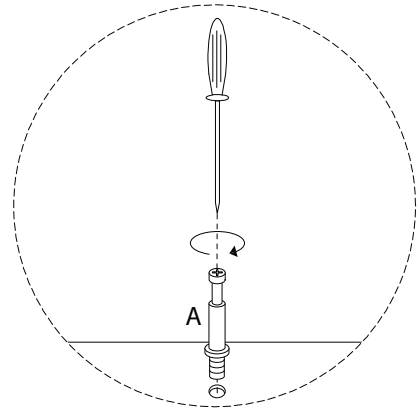
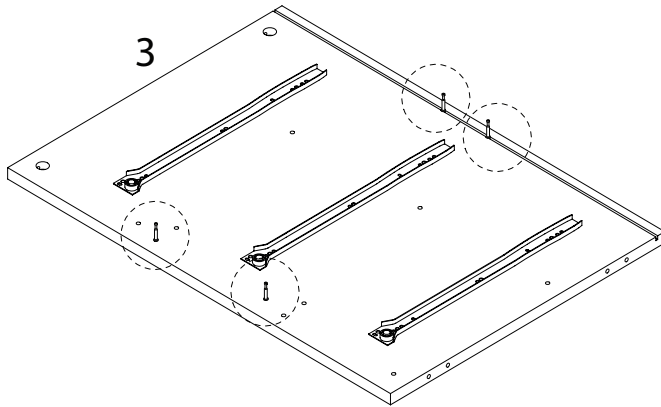


13

A



x 4

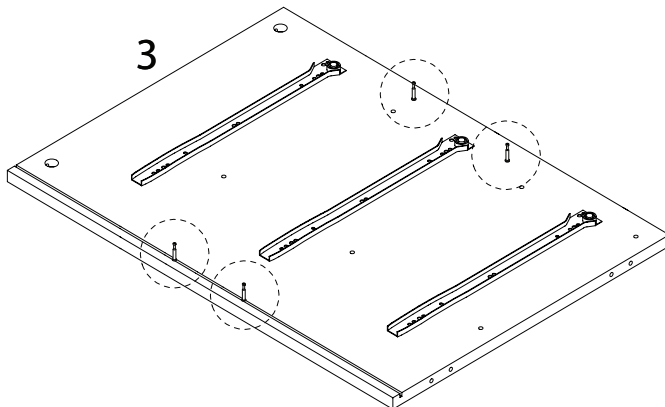


14

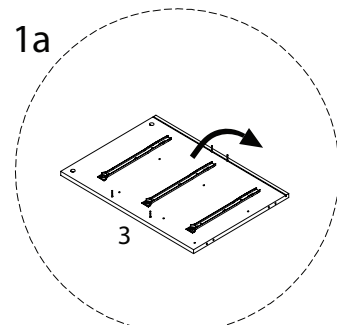
A



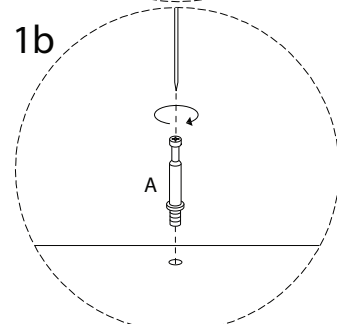
x 4



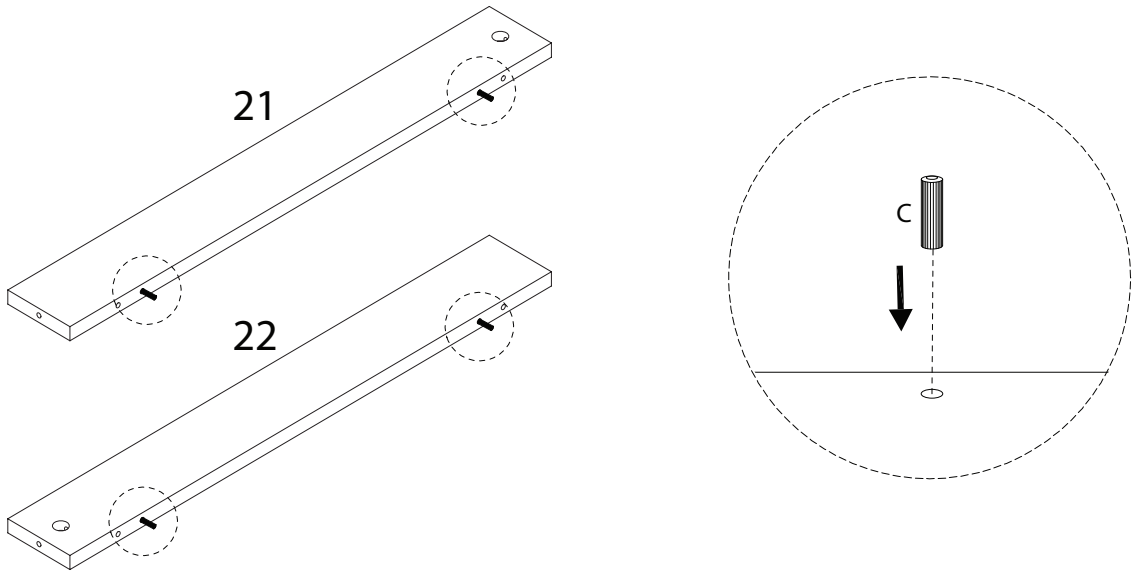
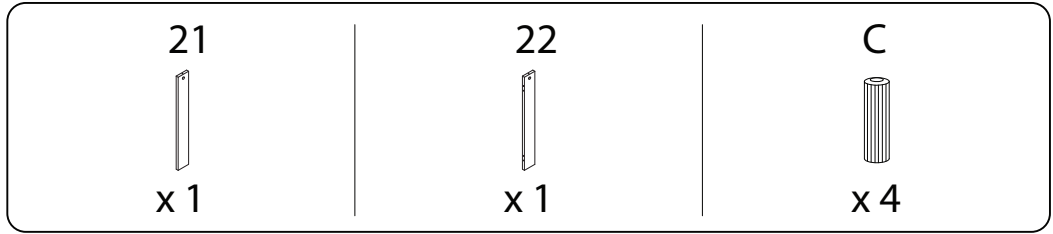
1a



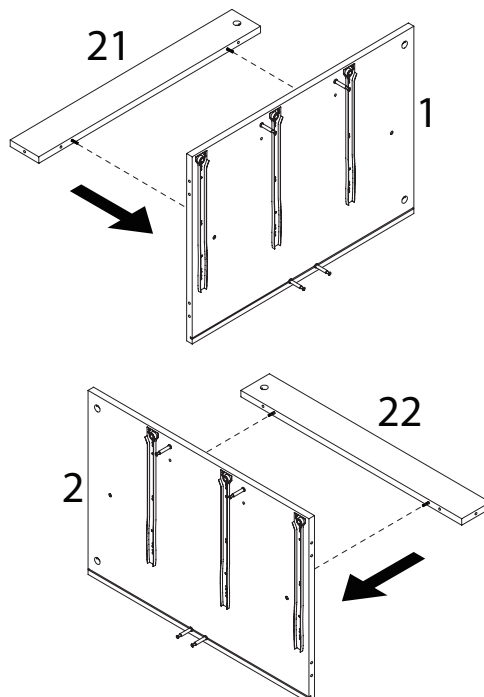
1b



15

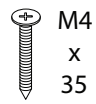


16

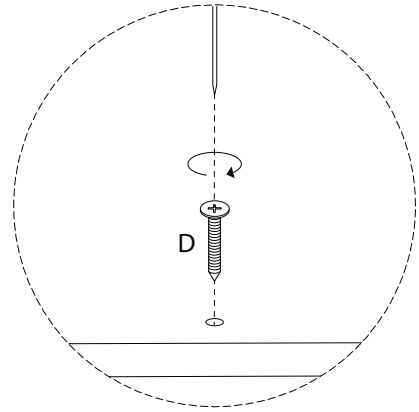
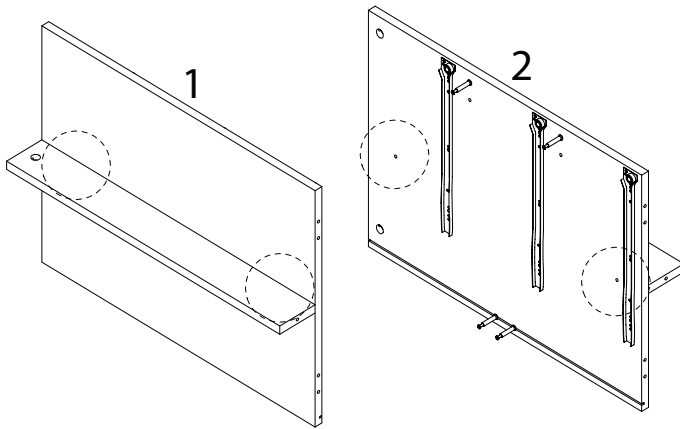


17

D

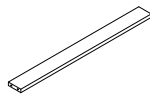


x 4



18 x 4

6

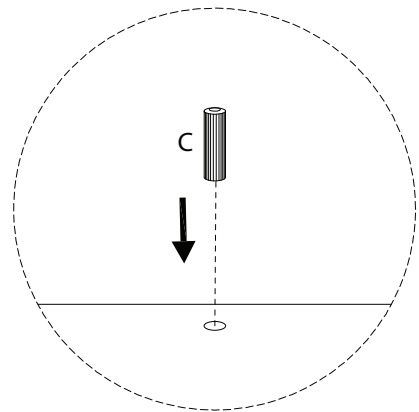
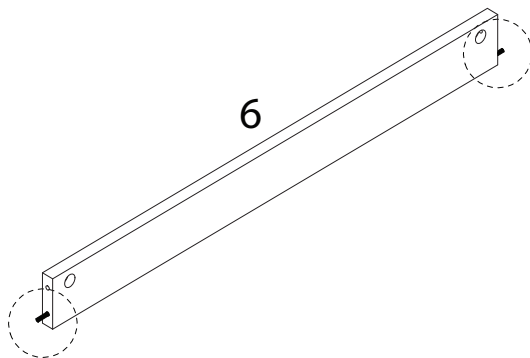


x 1

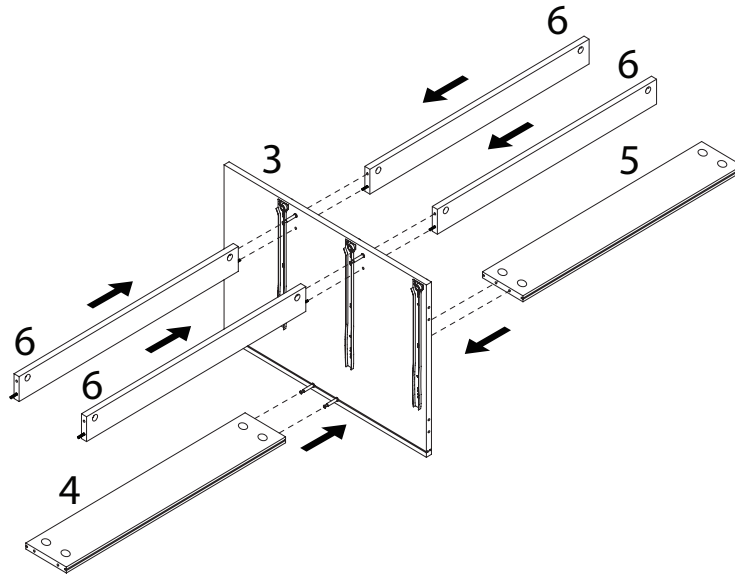
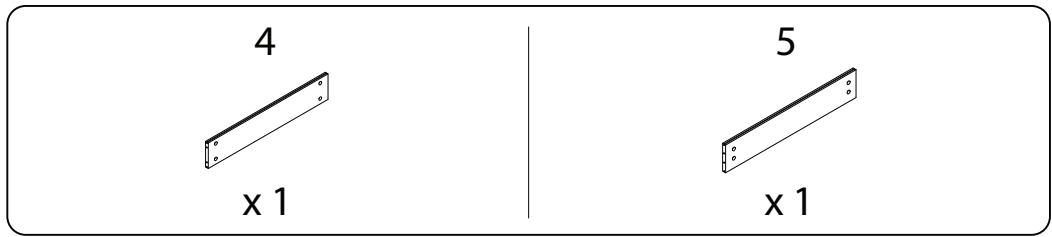
C



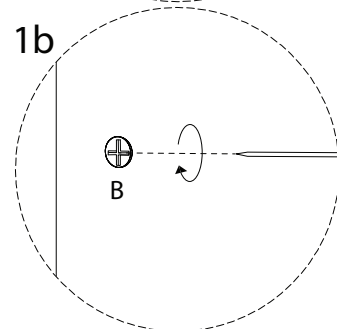
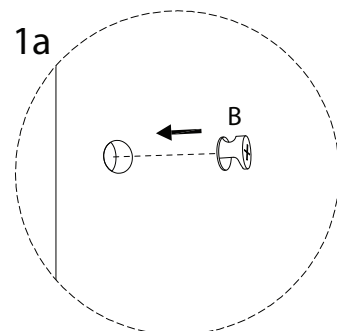
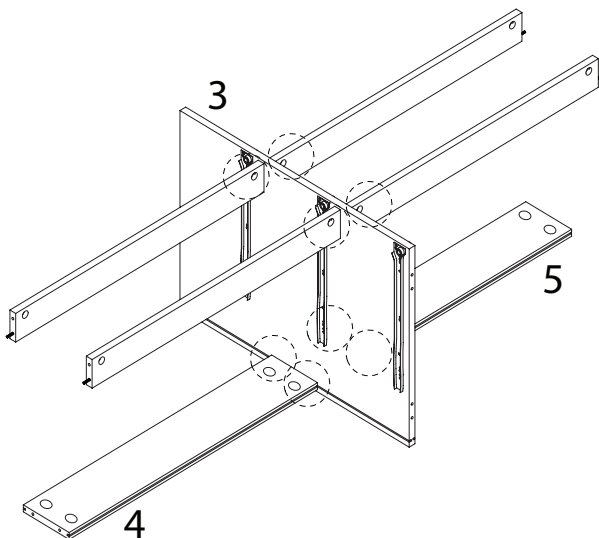
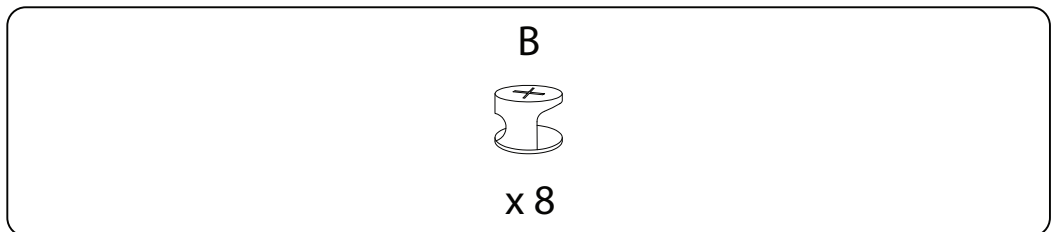
x 2



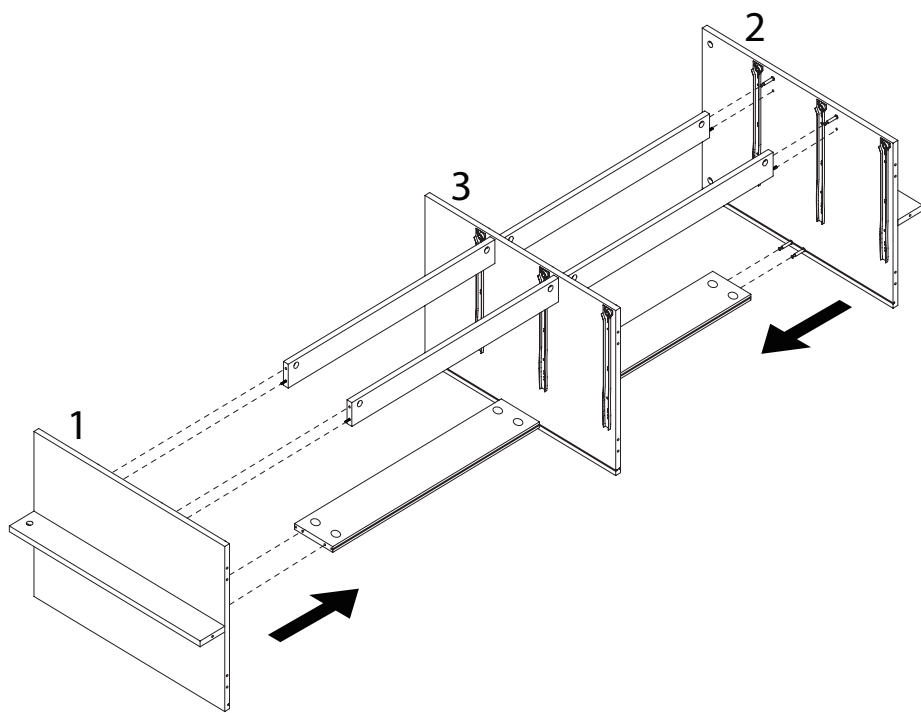
19



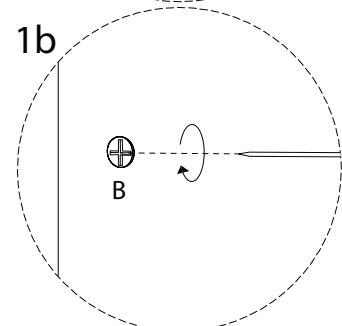
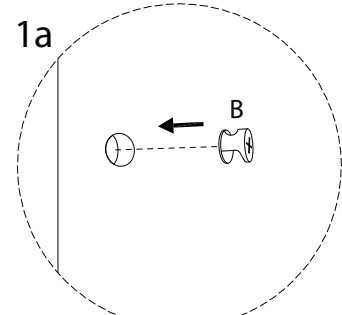
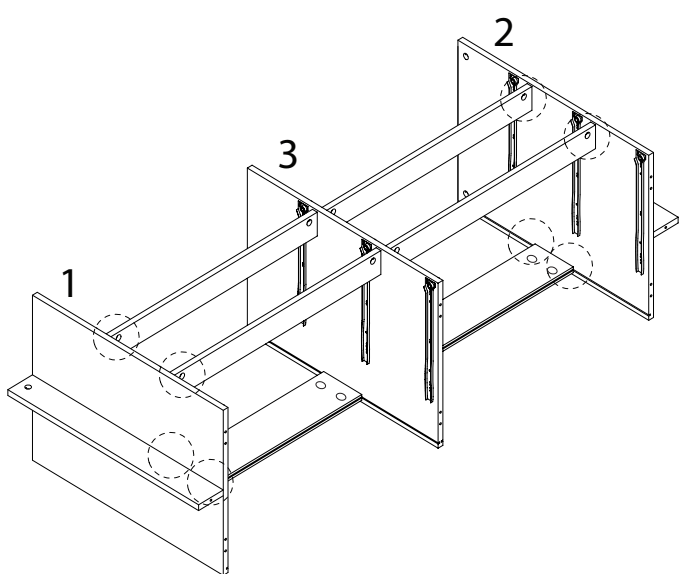
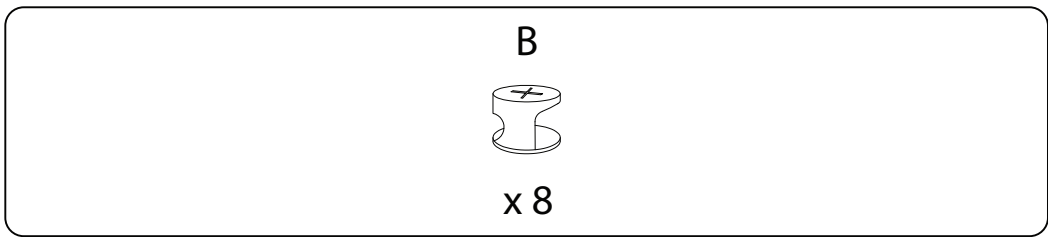
20



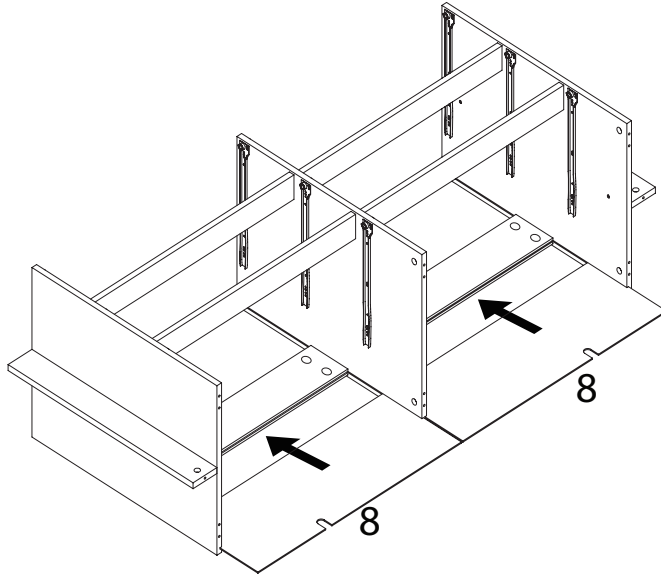
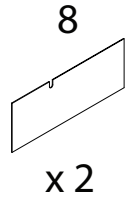
21



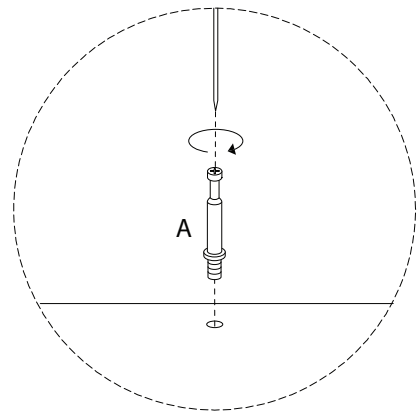
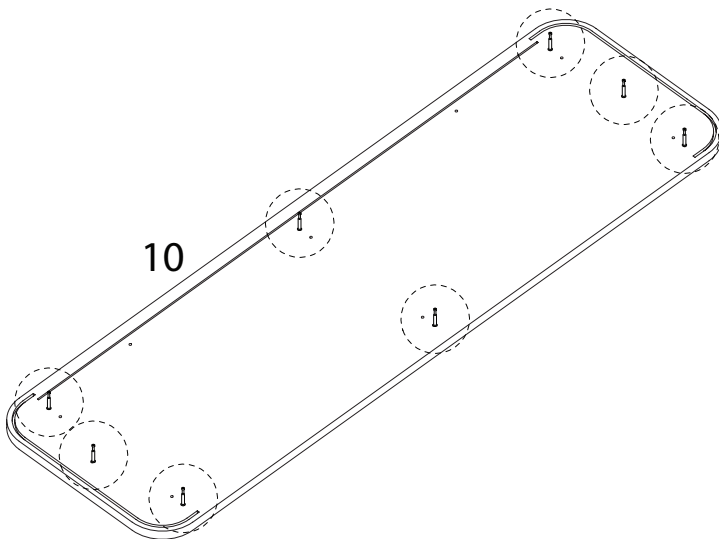
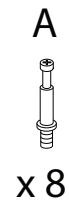
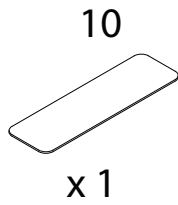
22



23



24

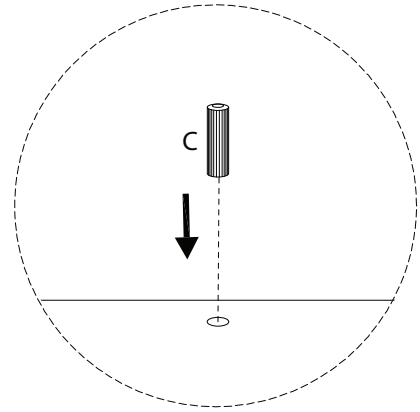
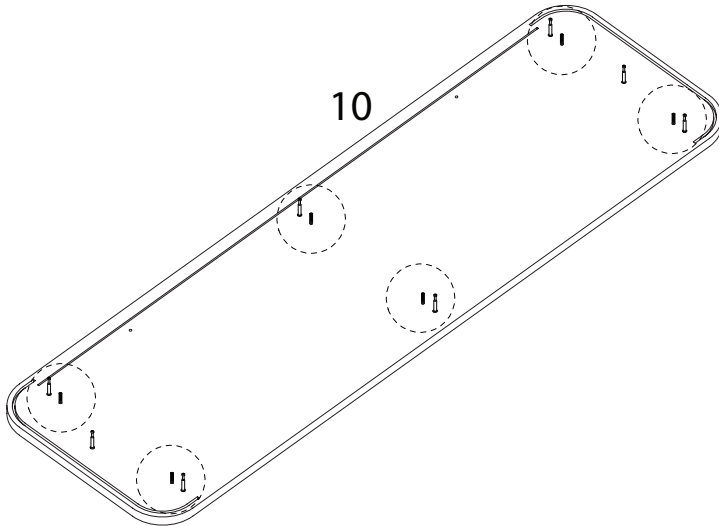


25

C



x 6



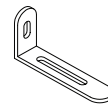
26

E

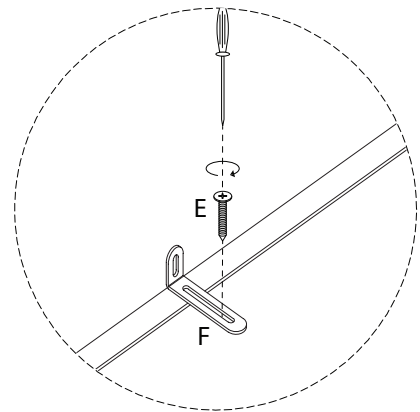
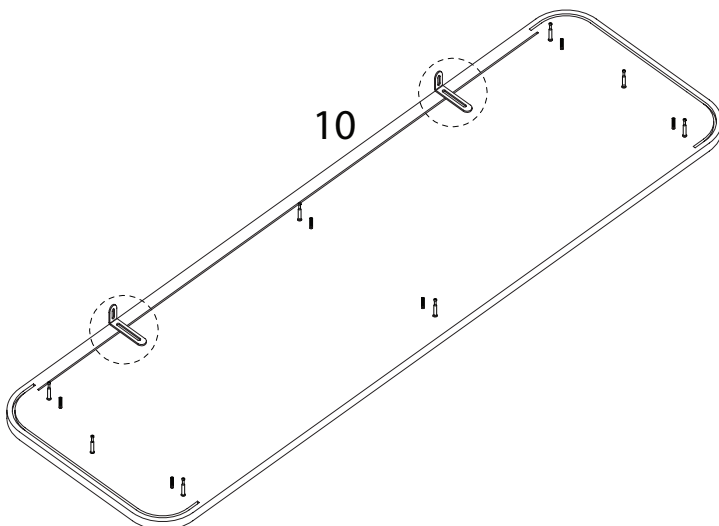


x 2

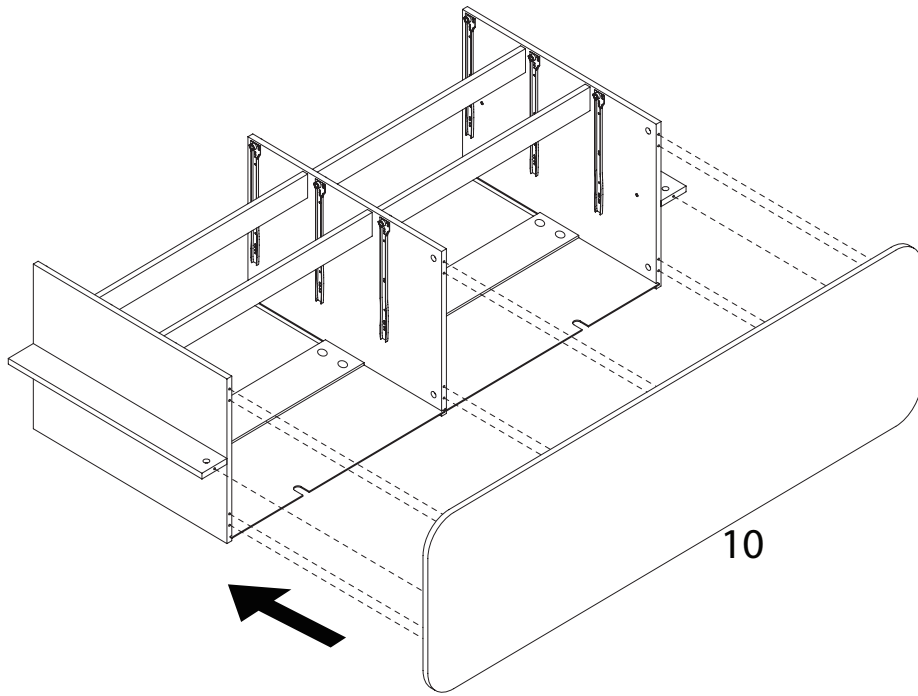
F



x 2



27

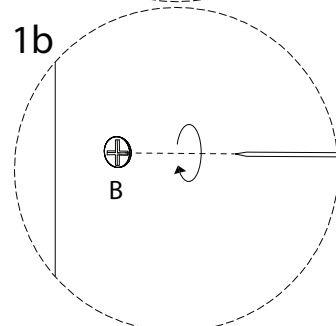
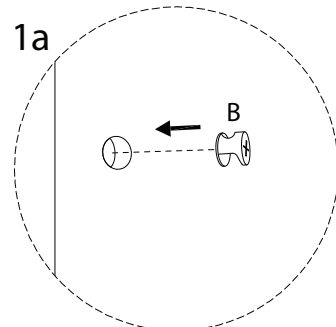
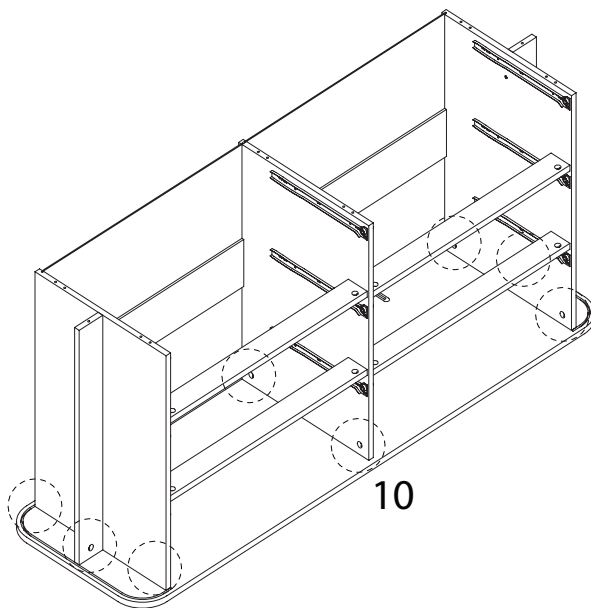


28

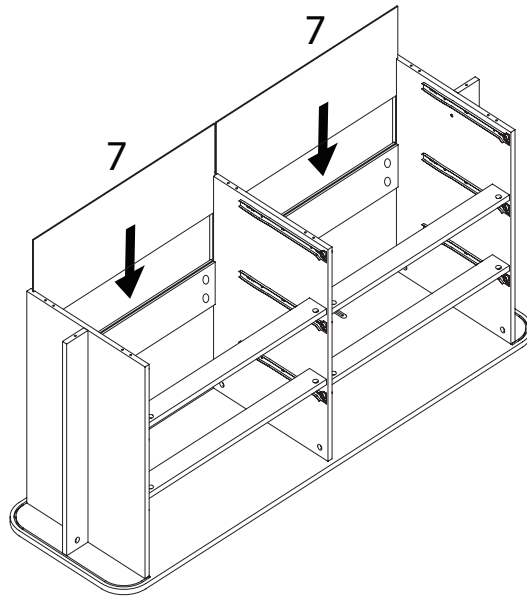
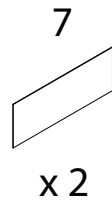
B



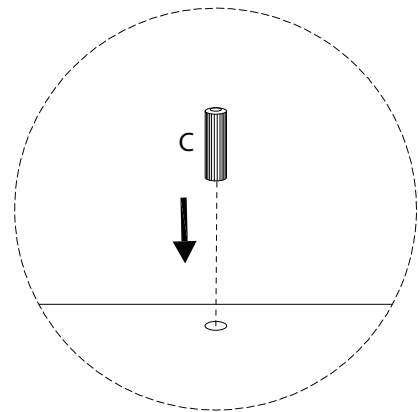
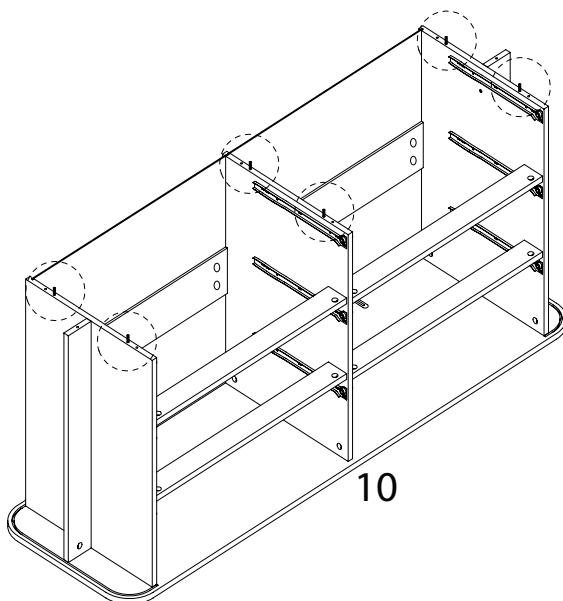
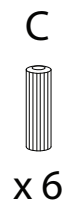
x 8



29



30

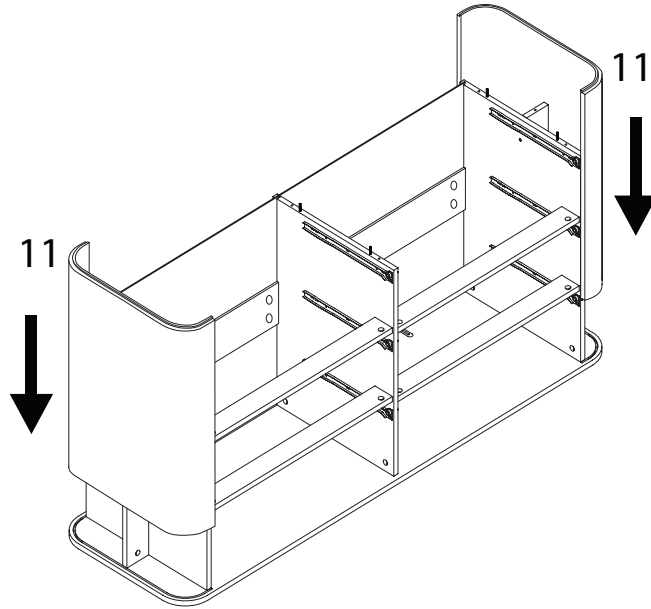


31

11

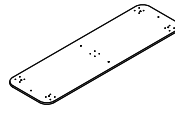


x 2

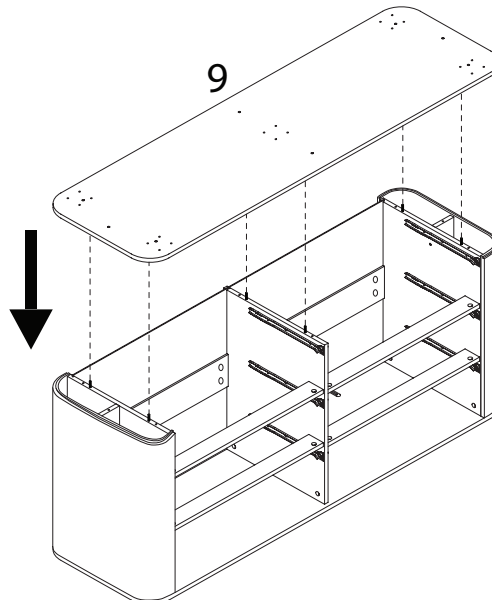


32

9

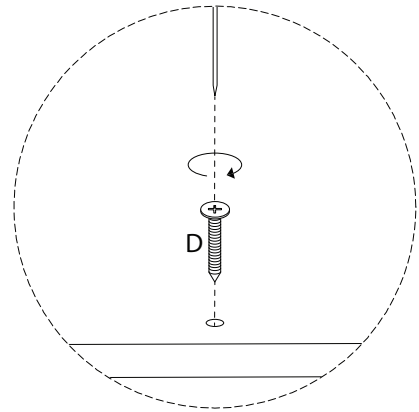
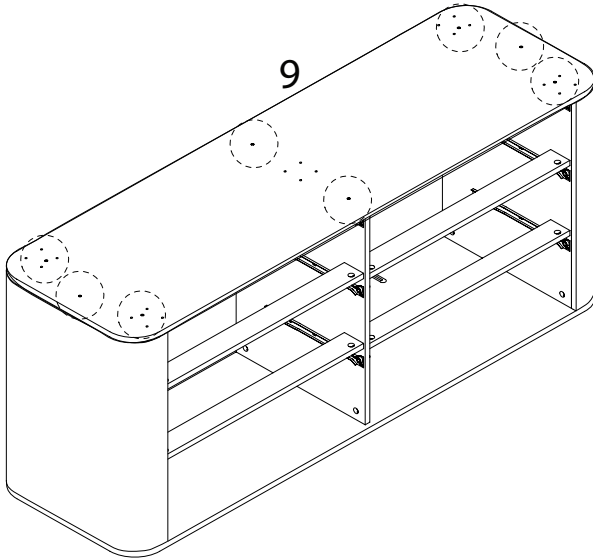


x 1



33

D  
M4  
x  
35  
x 8

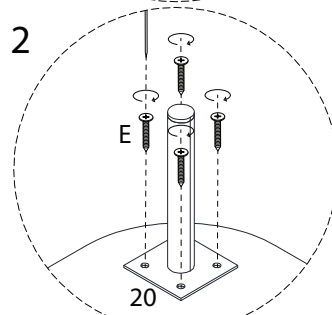
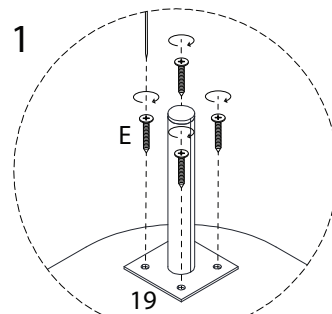
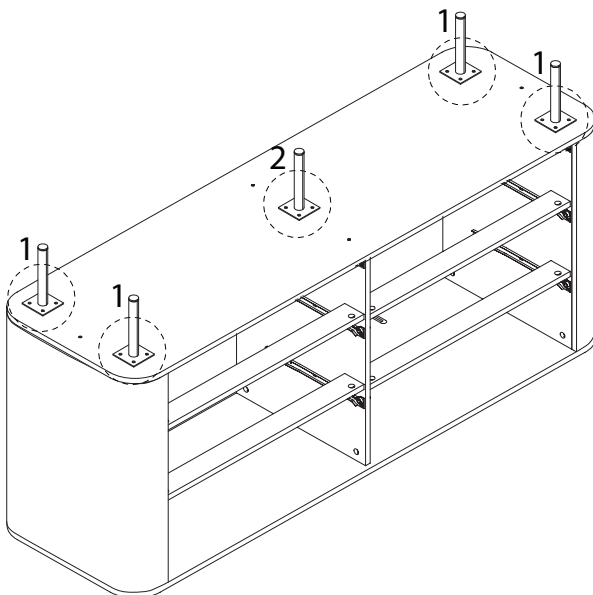


34

19  
x 4

20  
x 1

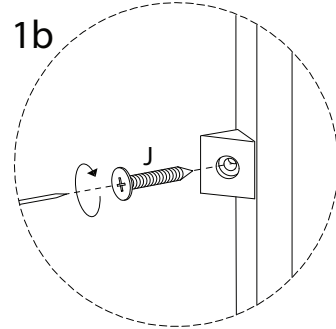
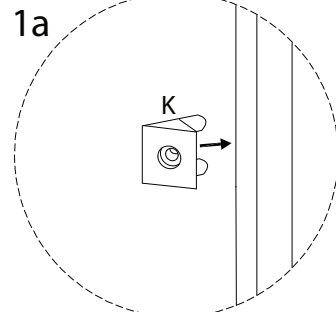
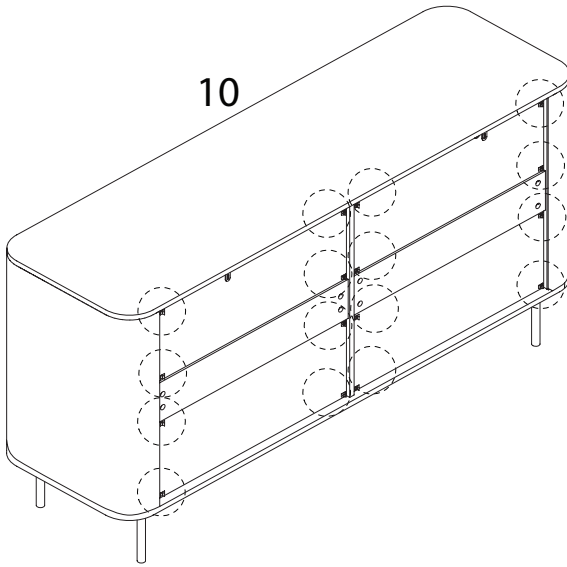
E  
M4  
x  
14  
x 20



35

J  
M3  
x  
16  
x 16

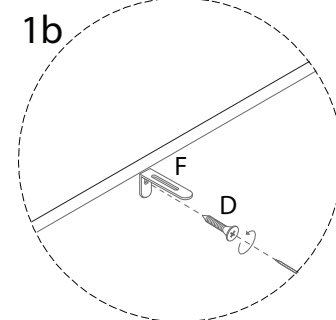
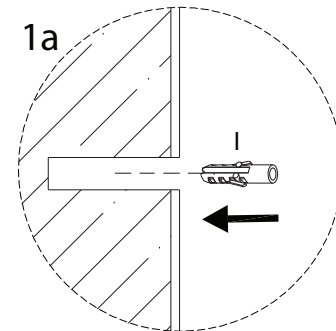
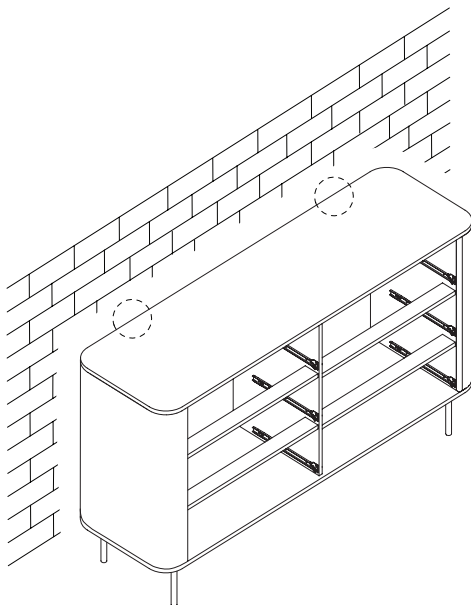
K  
x 16



36

D  
M4  
x  
35  
x 2

I  
x 2



37

