

# CAMBRIDGE 37" RIGHT OFFSET CABINET



## BASE CABINET DIMENSIONS

36" W x 21.5" D x 34.5" H

## FEATURES

- Solid wood frame & plywood panels
- Dovetail drawers and joints
- Soft closing doors & drawers

## HARDWARE FINISHES



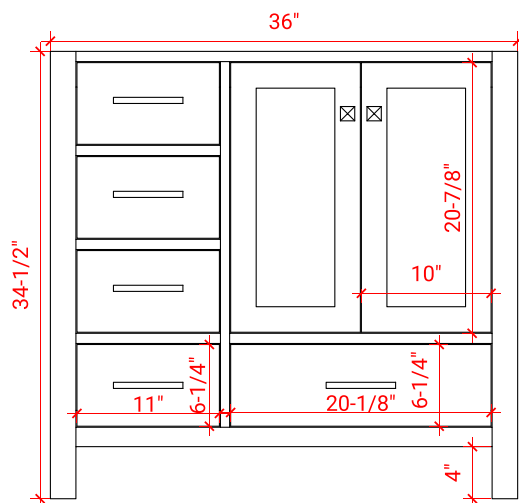
Satin Nickel    Satin Brass    Satin Black

## AVAILABLE COLORS

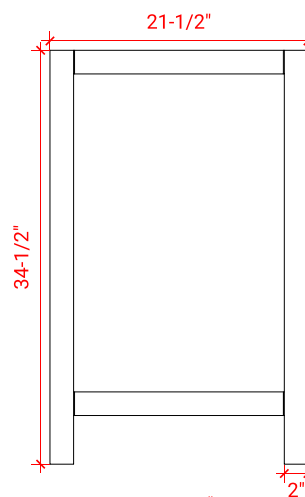


White    Grey    Espresso    Midnight Blue

FRONT VIEW



SIDE VIEW



PLAN VIEW

