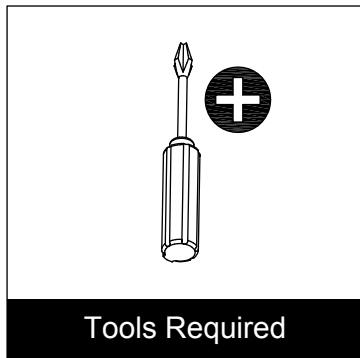
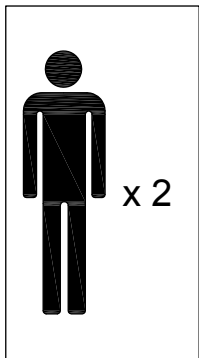
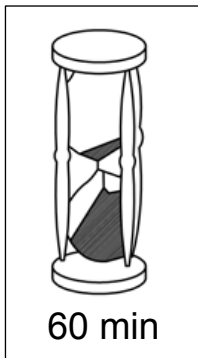
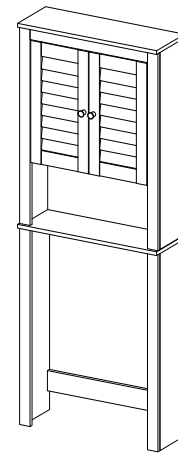


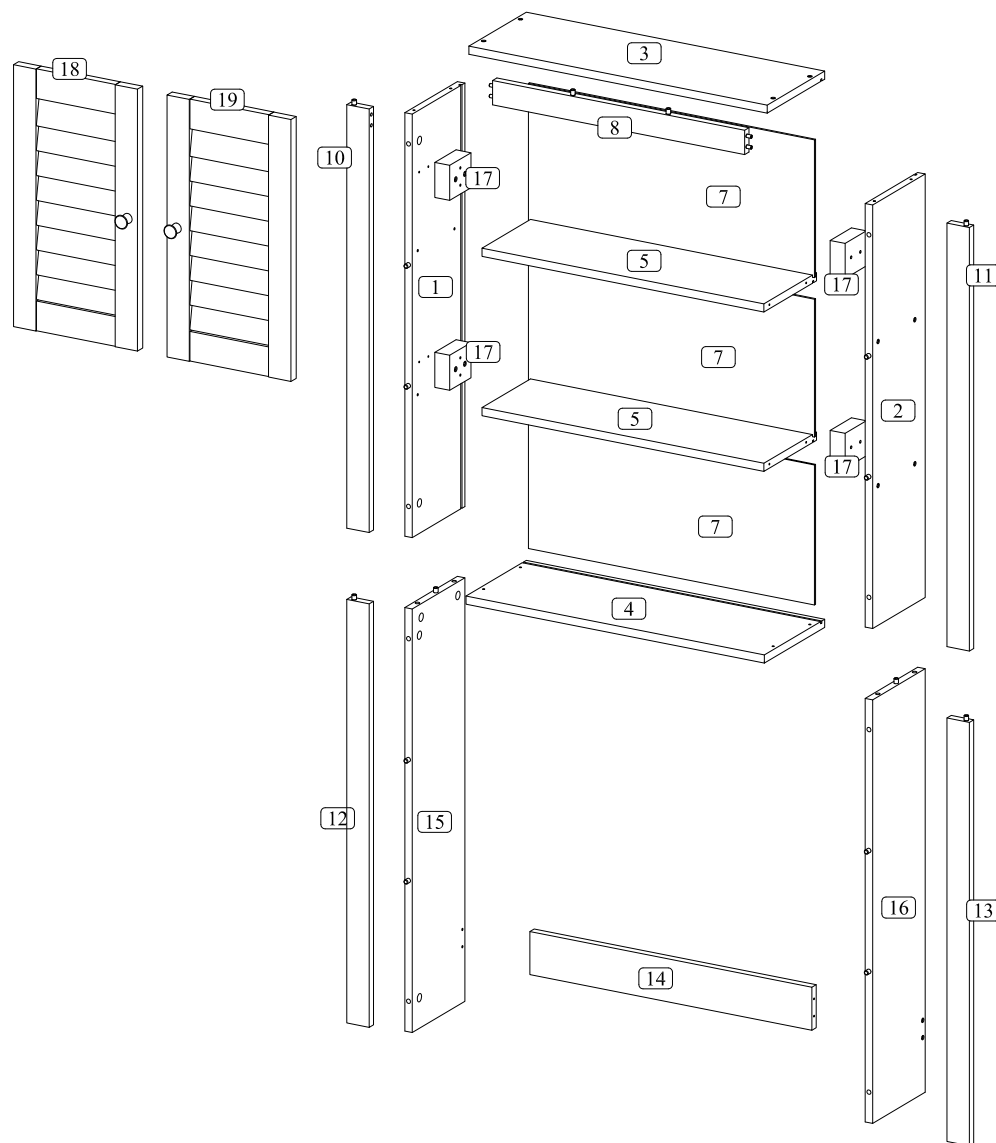
Louver Door Bath Cabinet

NEED HELP? For replacement requests or product inquiries, please contact our Customer Service Team by emailing us. Thank you for selecting our product!



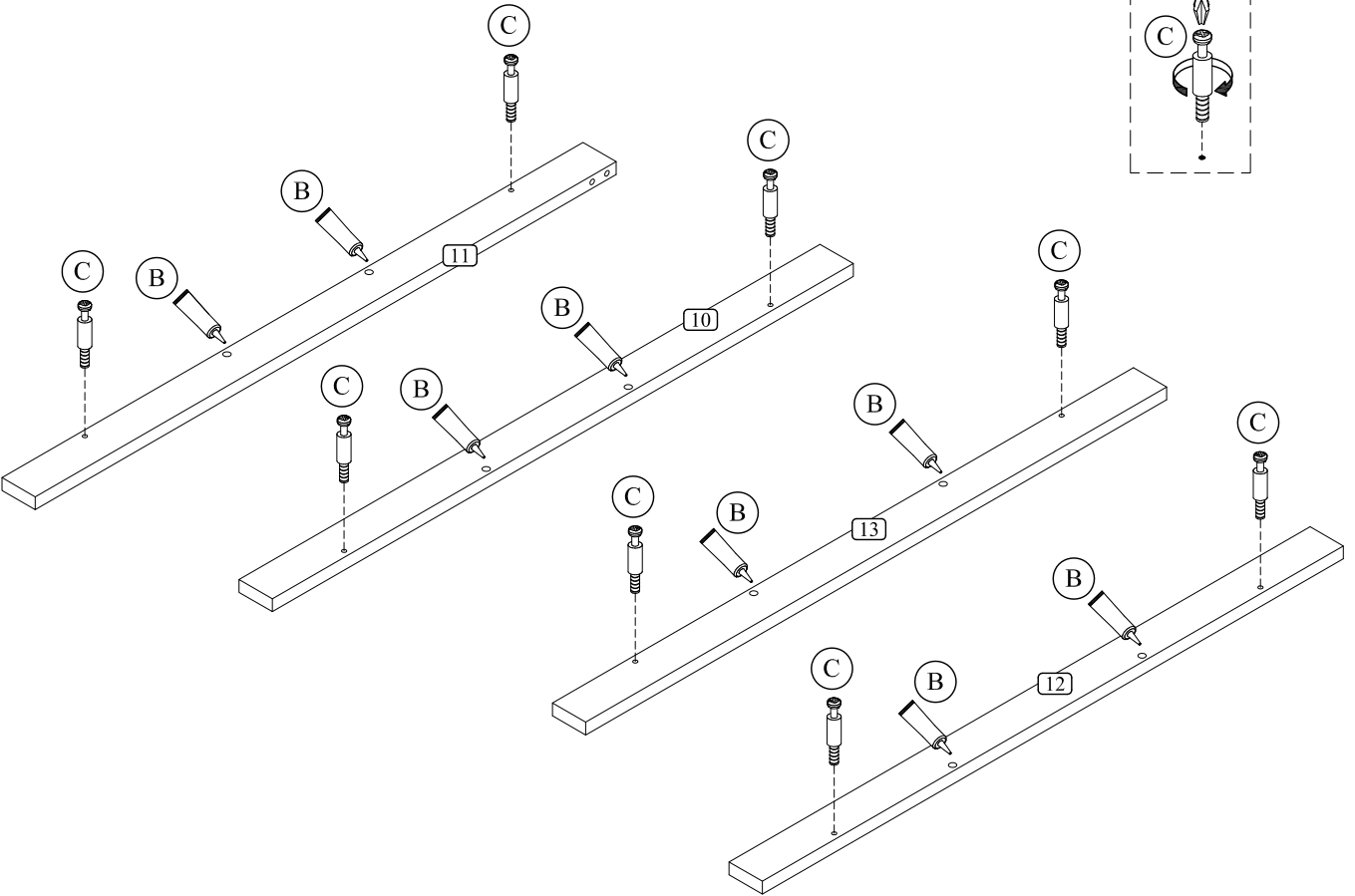
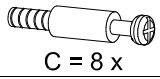
USEFUL HINTS BEFORE YOU START:

1. Read each step carefully before starting.
2. It is important that each step is performed in correct order to avoid difficulties.
3. Identify, sort and count the parts before assembly.
4. Assemble your furniture on packaging cardboard to prevent scratch or damage.
5. Clean the product with mild cleanser using soft damped cloth. Do not use harsh or abrasive cleanser.
6. Using incompatible hardware might cause damage to product.

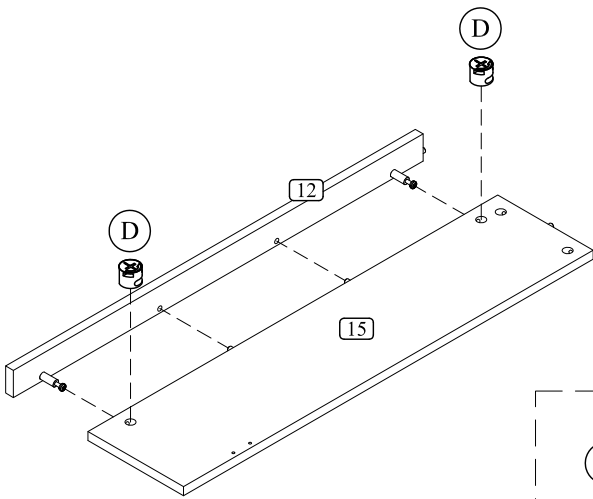


A	28 x	B	1 x	C	12 x	D	12 x	E	12 x	F	12 x	G	2 x
ø8x35 mm		ø25x105 mm		ø7x35 mm		ø15x12 mm		14x10 mm		ø6x5/8" FH		148x18x3 mm	
H	2 x	I	16 x	J	8 x	K	2 x	L	2 x	M	4 x	N	16 x
ø6x5/8" RH		ø14 mm		ø20 mm		ø25x23 mm		ø8x25 mm		ø86x53x30 mm		ø6x1/2"	

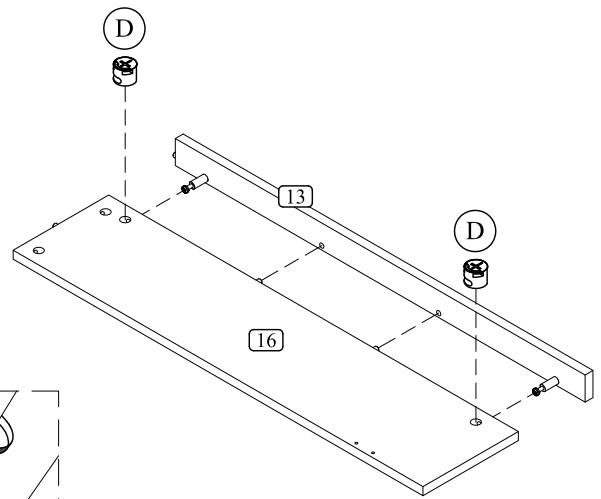
1



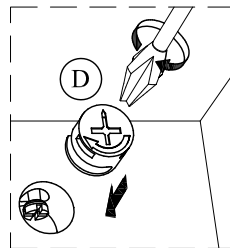
2



Part. A



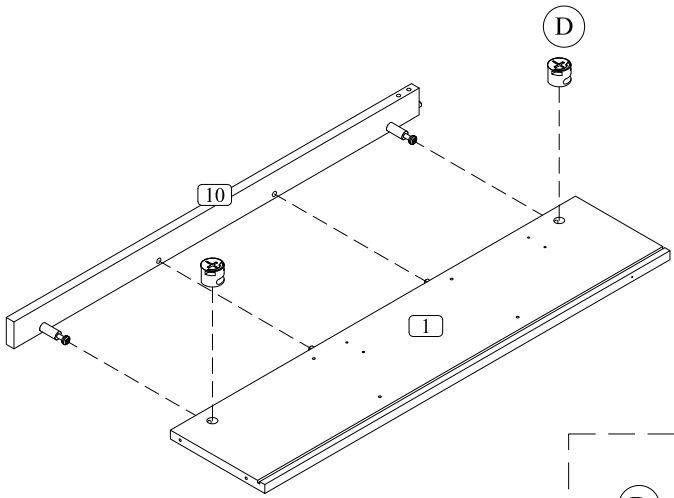
Part. B



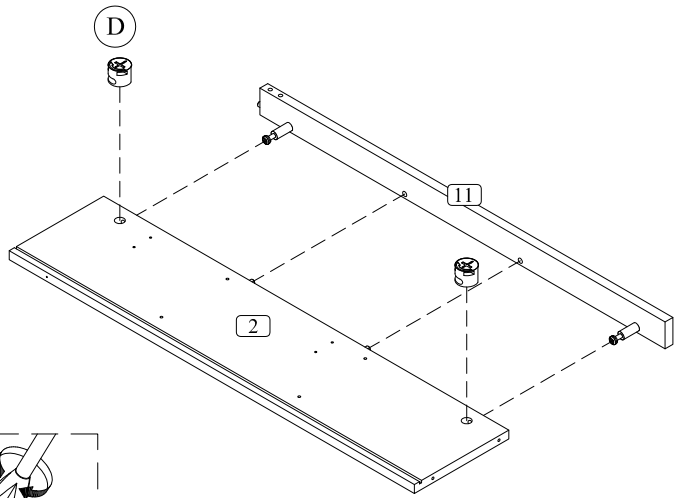
3



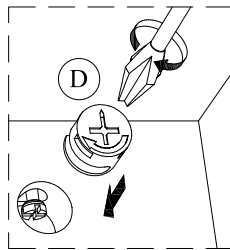
D = 4 x



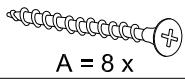
Part. C



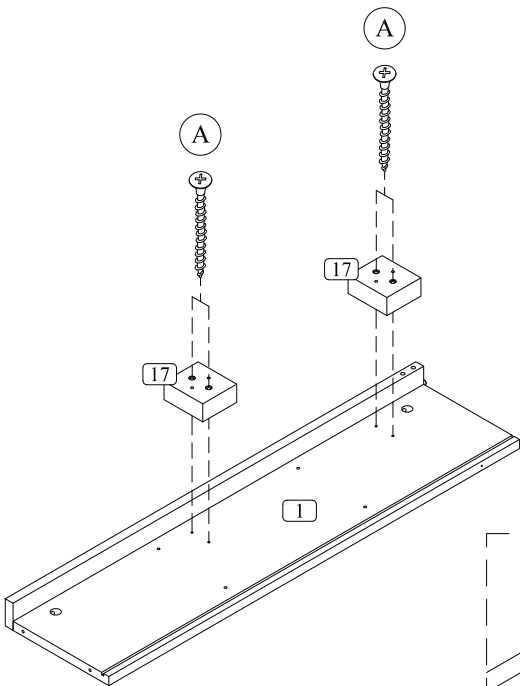
Part. D



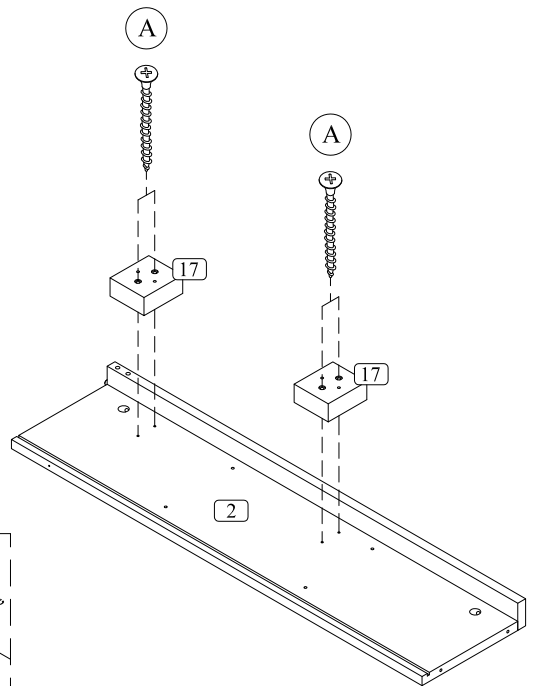
4



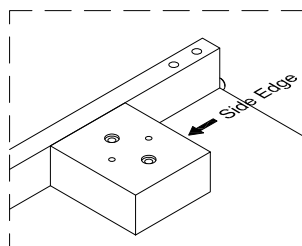
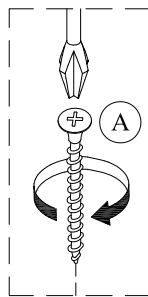
A = 8 x



Part. C



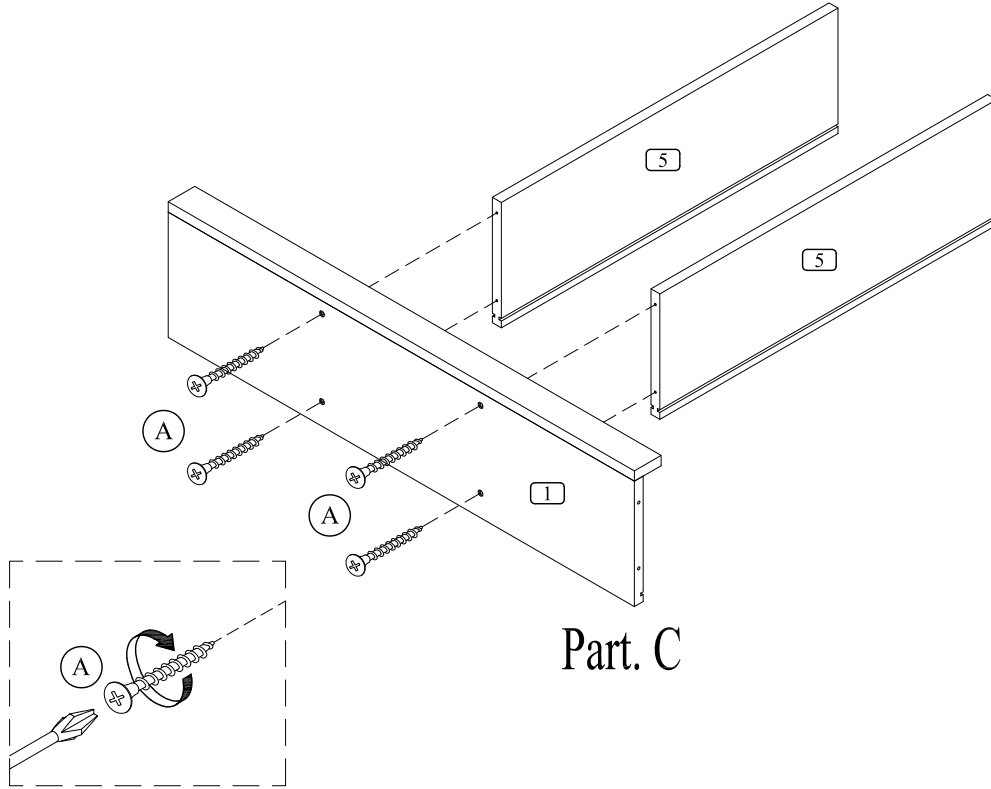
Part. D



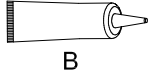
5



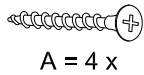
A = 4 x



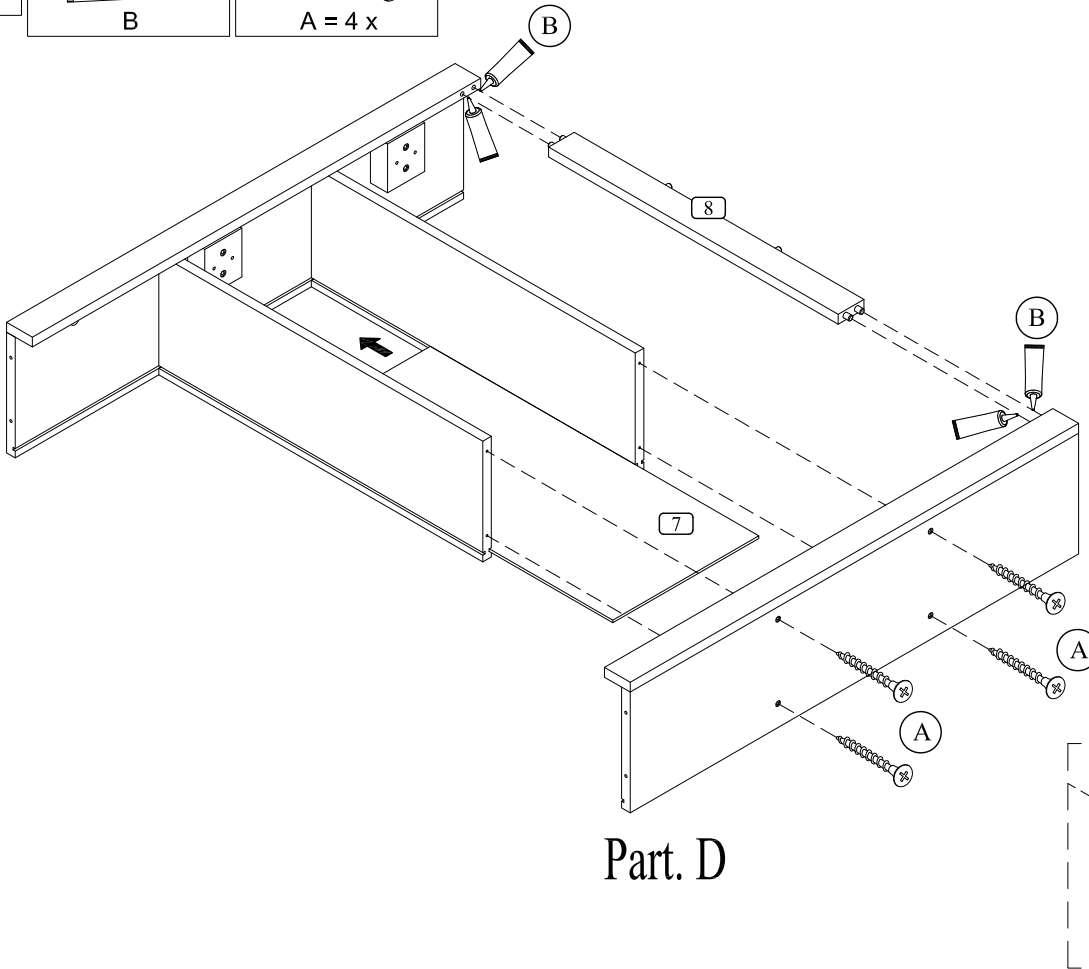
6



B



A = 4 x

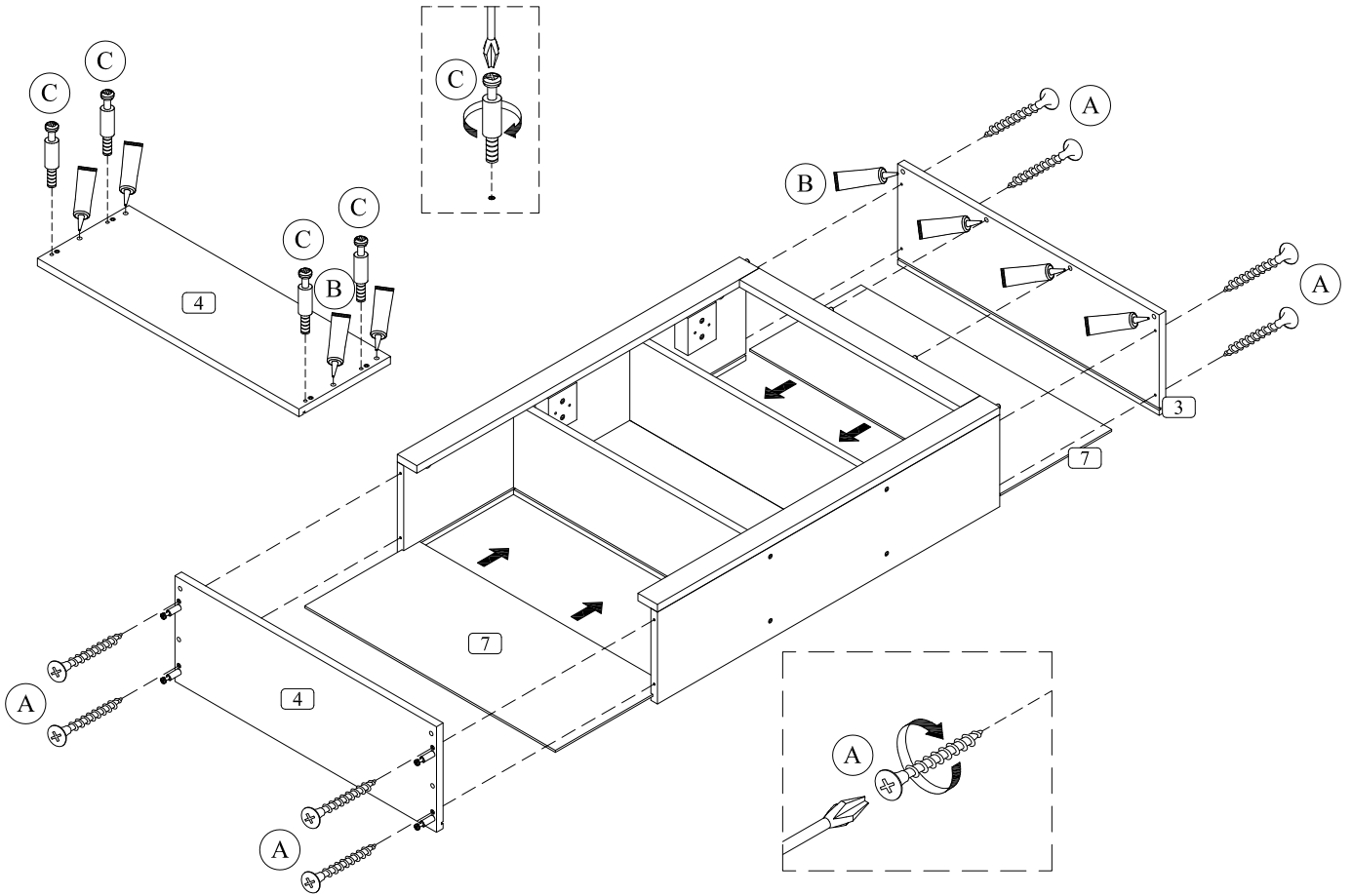


7

A = 8 x

B

C = 4 x

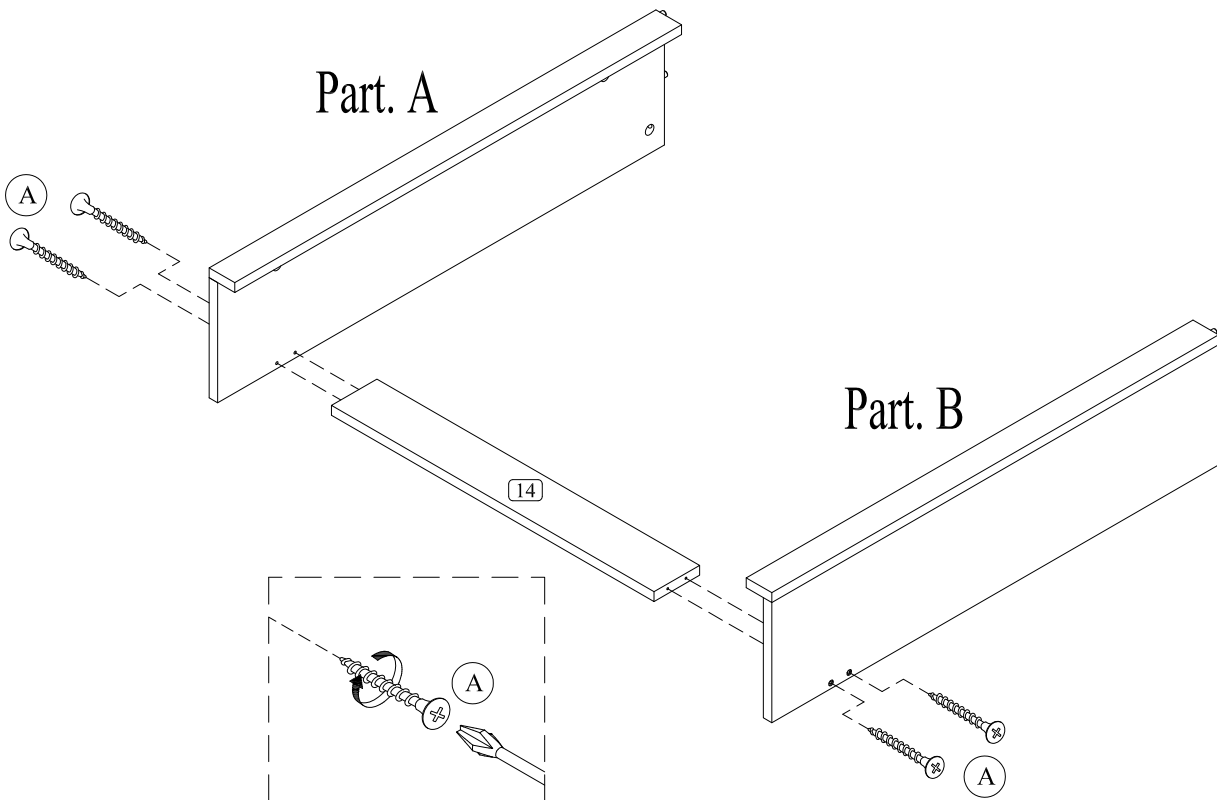


8

A = 4 x

Part. A

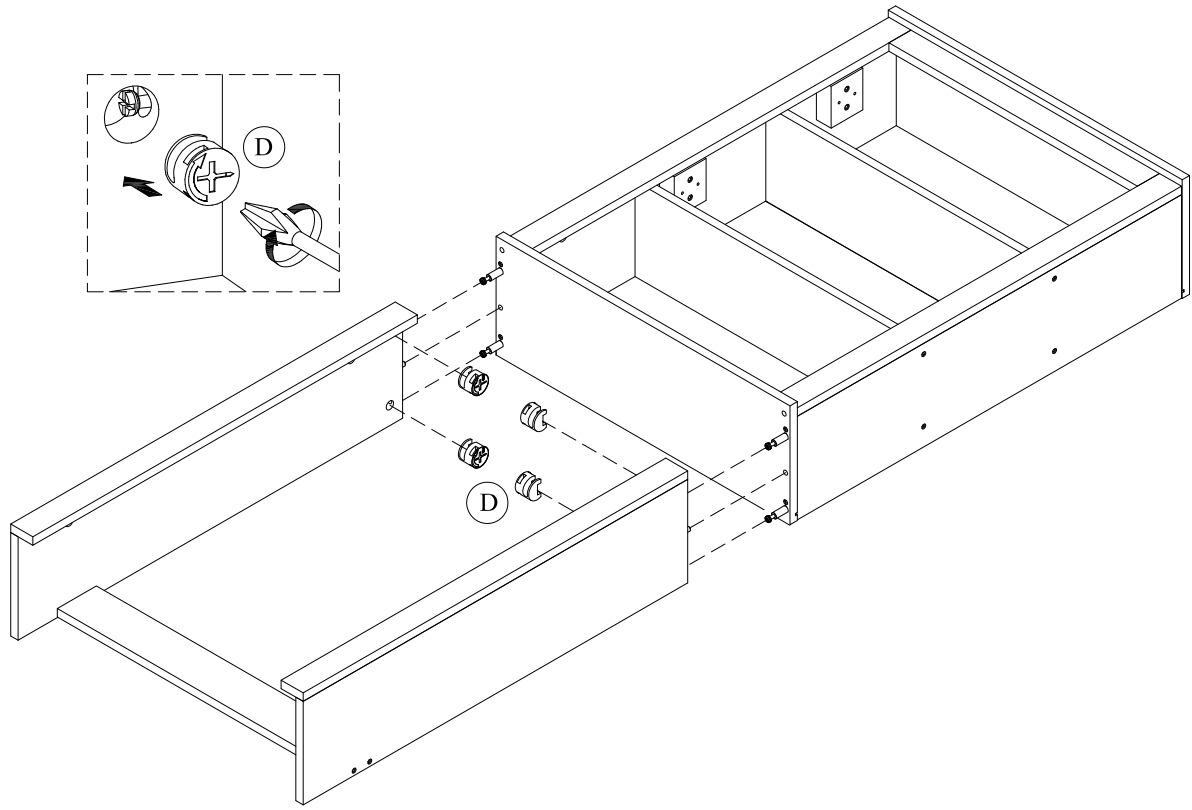
Part. B



9



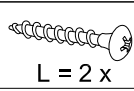
D = 4 x



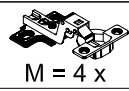
10



K = 2 x



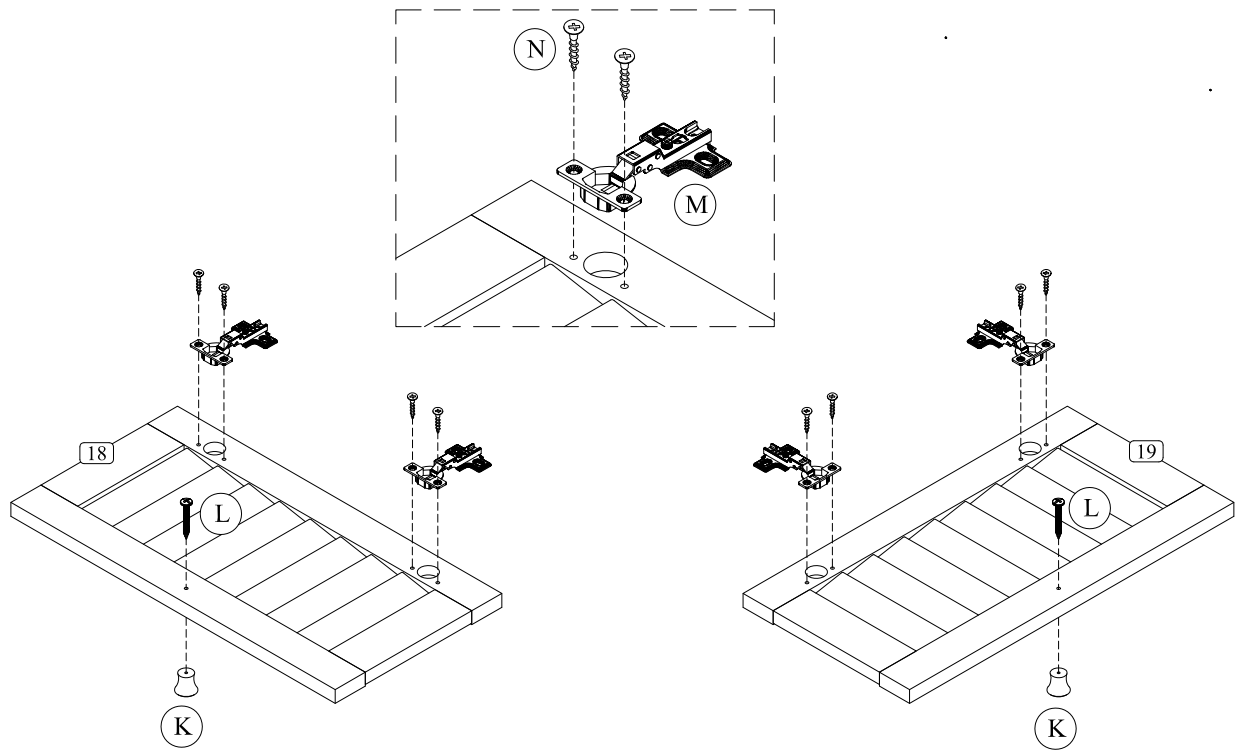
L = 2 x




M = 4 x

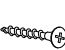



N = 8 x




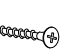
11

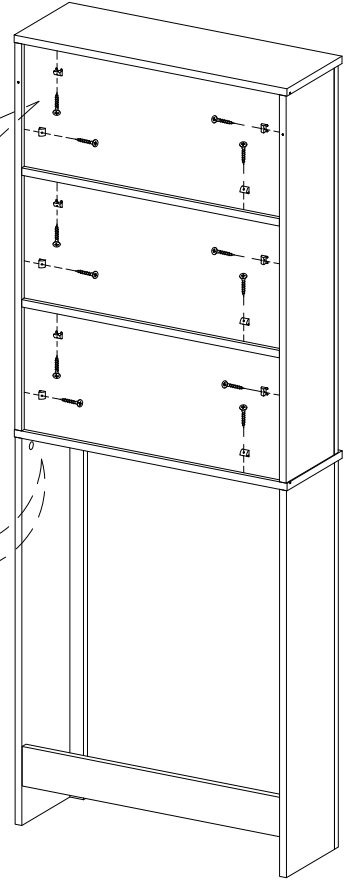
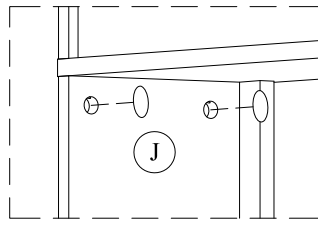
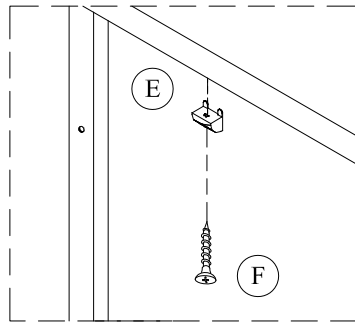
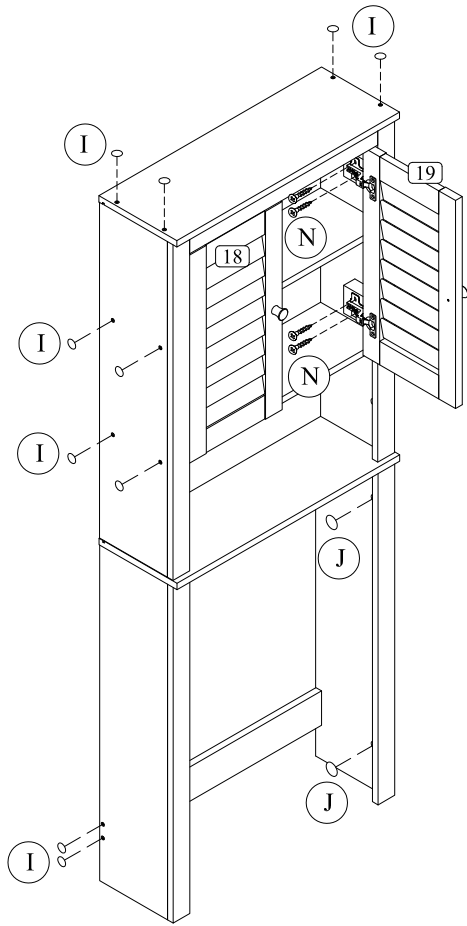
 E = 12 x

 F = 12 x

 I = 16 x

 J = 8 x


 N = 8 x



ⓐ/ⓑ = Left Right

12

 G = 2 x

 H = 2 x

