

AFTERSALE SERVICE

Dear customer,

Thank you so much for purchasing the product from us, we really appreciate your support.

We are aimed to provide the best shopping experience to our customers. We also want to build a mutually beneficial relationship with our customers, and step further to make our brand both reliable, responsible and recommendable.

We hope that our products could meet your needs and expectations, please consider us again if you need more products for your home and kitchen.

The package would be out of our control during shipping, please contact us through your purchasing channel directly if there is anything wrong with the box or contents. We are always here offering you our service.

We will reply your messages within 24 hours, please kindly wait for the response from our professional service team.

Your comfort and contentment are of utmost importance.

Best Regards,

Customer Care Specialist

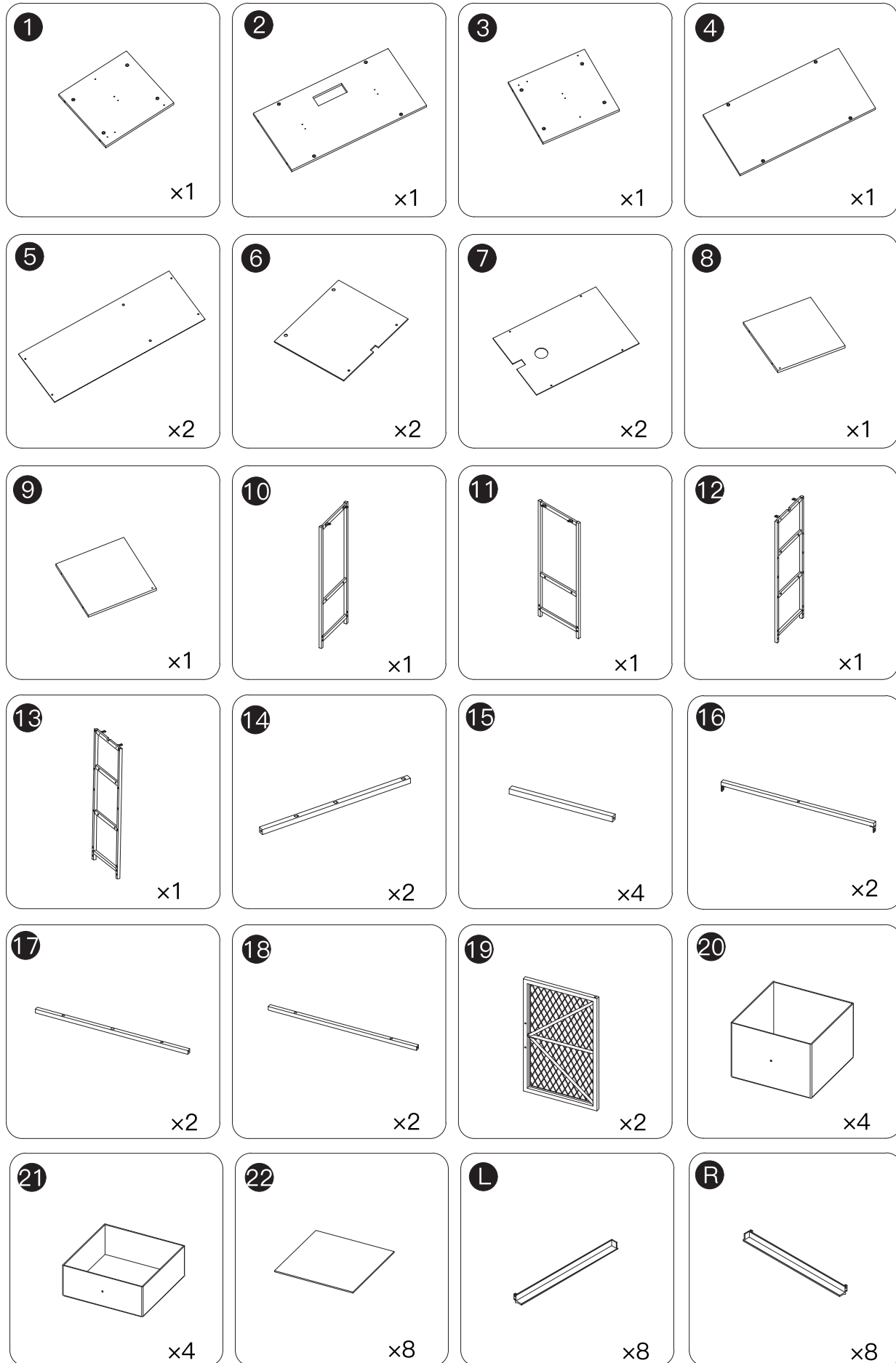
ASSEMBLY INSTRUCTION

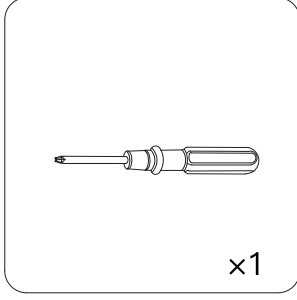
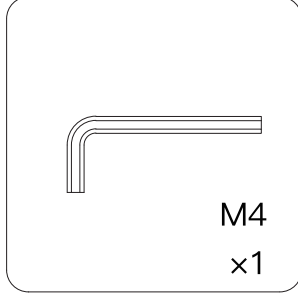
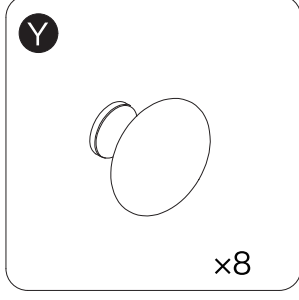
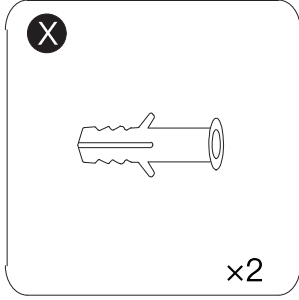
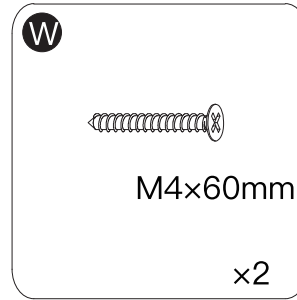
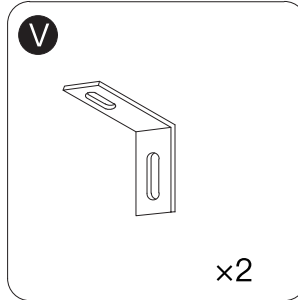
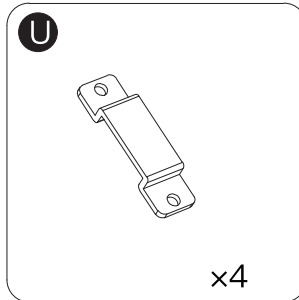
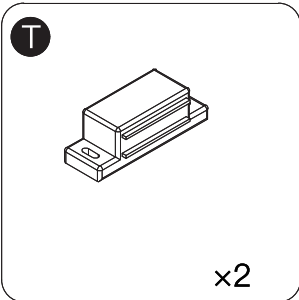
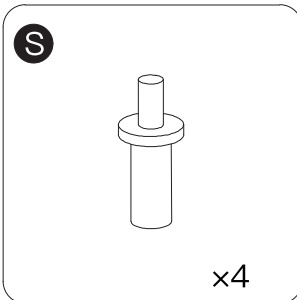
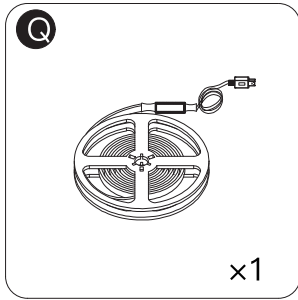
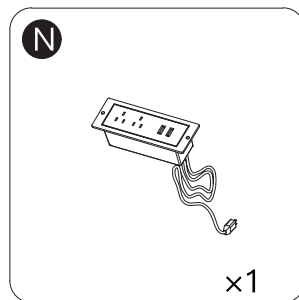
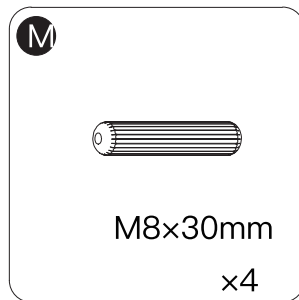
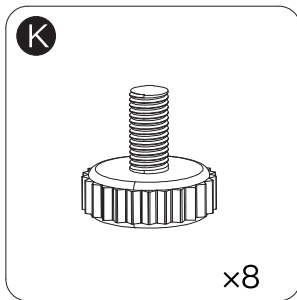
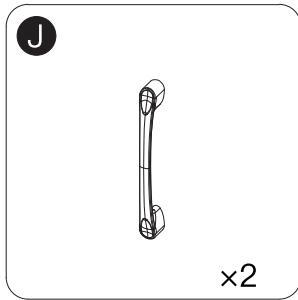
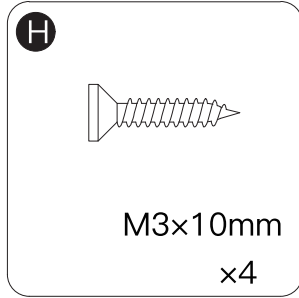
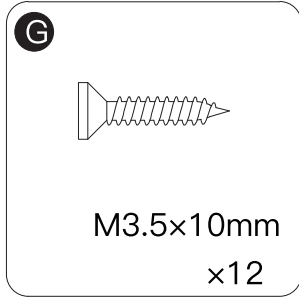
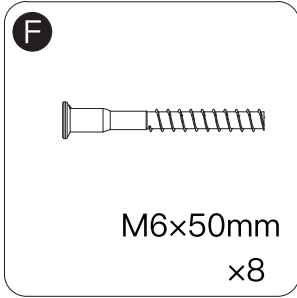
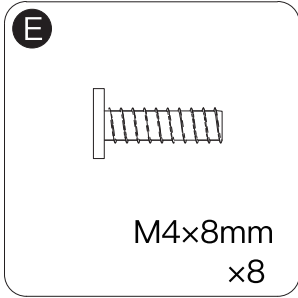
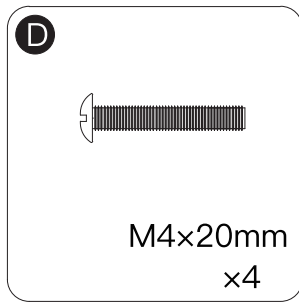
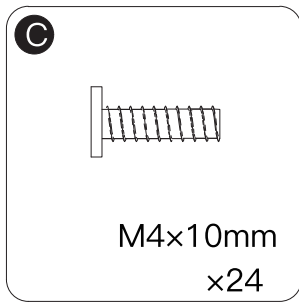
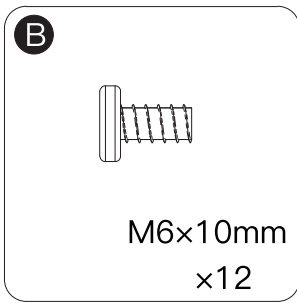
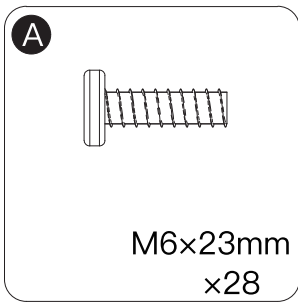


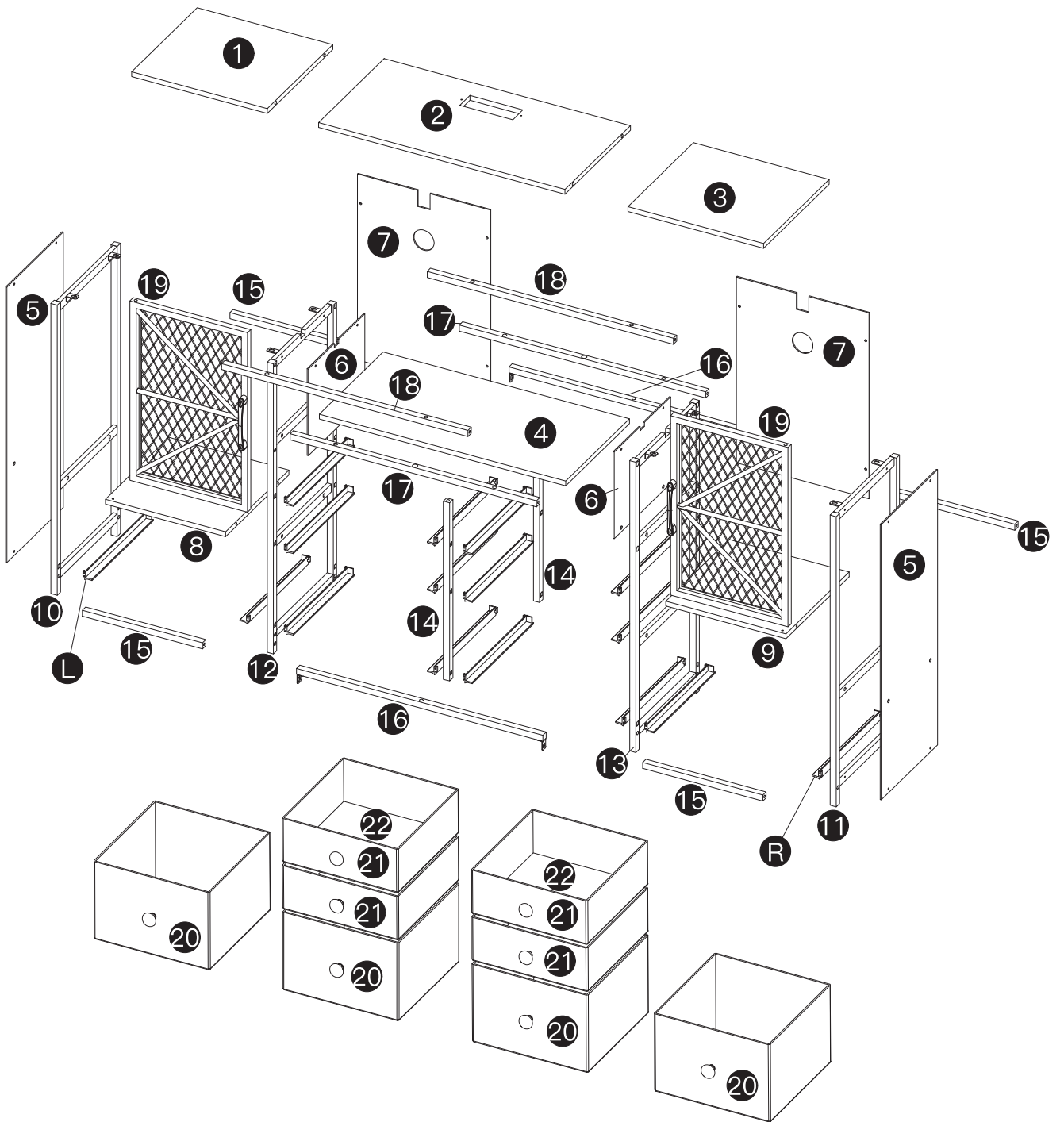
Please check all parts and accessories according to the parts list before assembling, make sure all contents are sufficient and in good condition.

If there is any parts missing or defective, please contact us immediately with purchase platform message to get replacement parts.

PARTS:

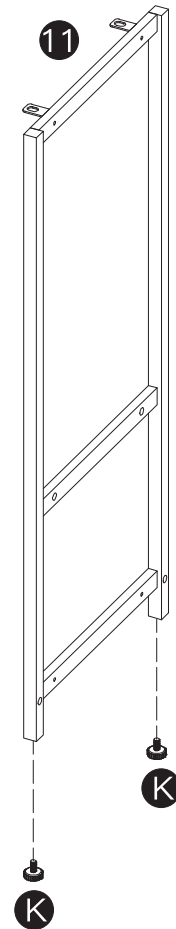
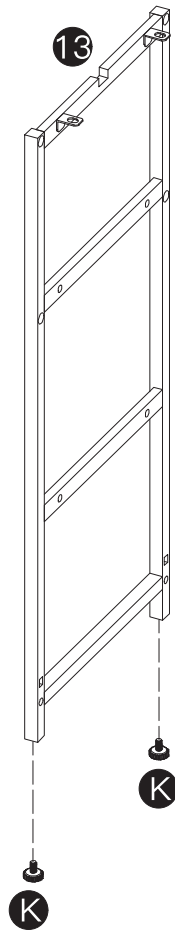
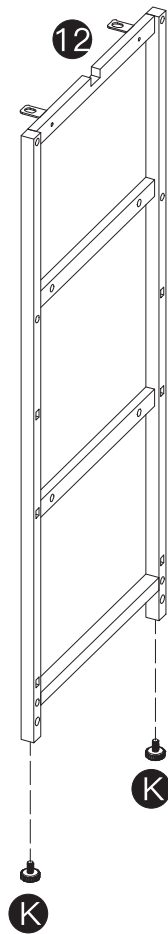
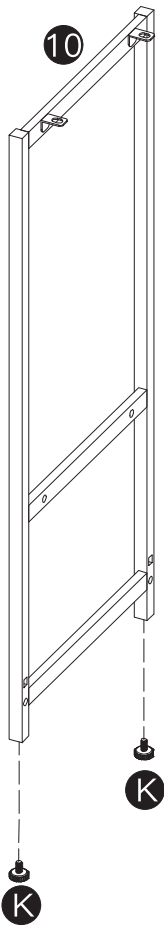
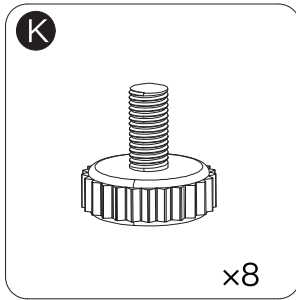
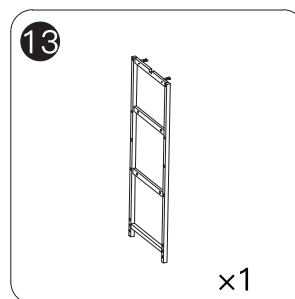
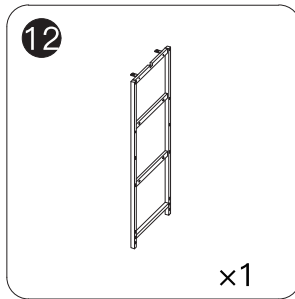
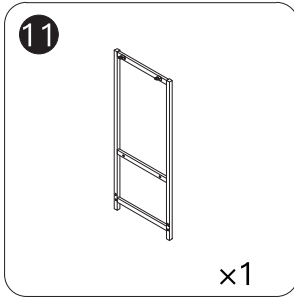
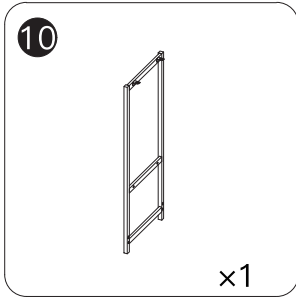




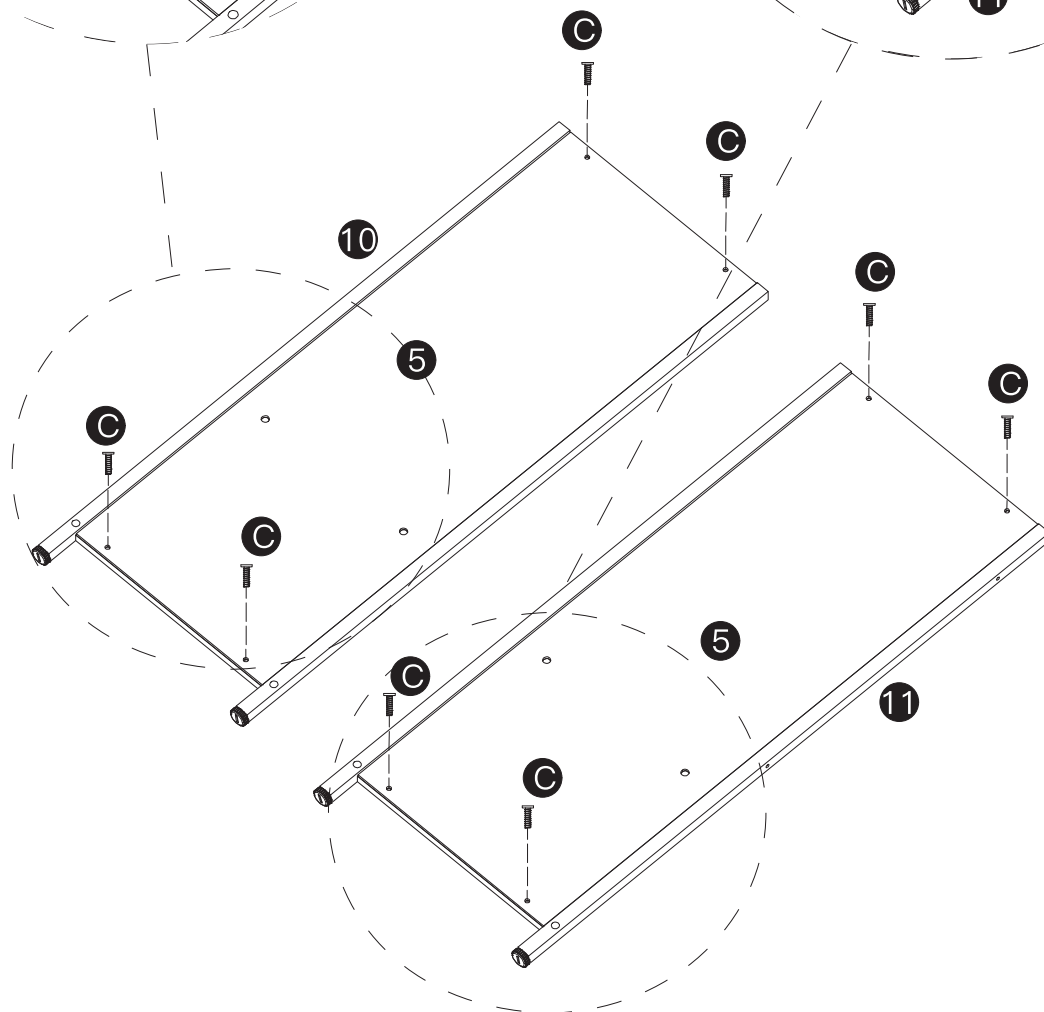
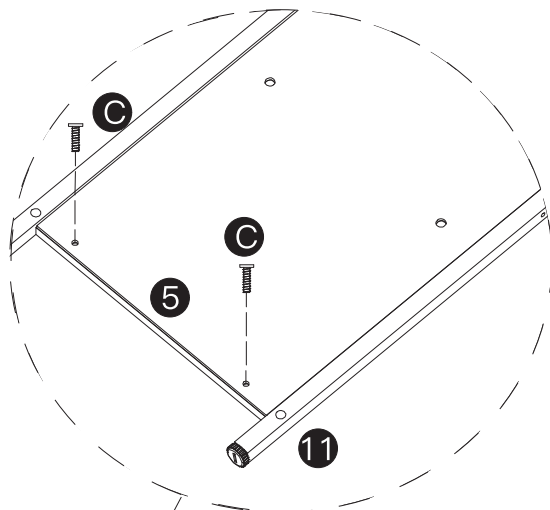
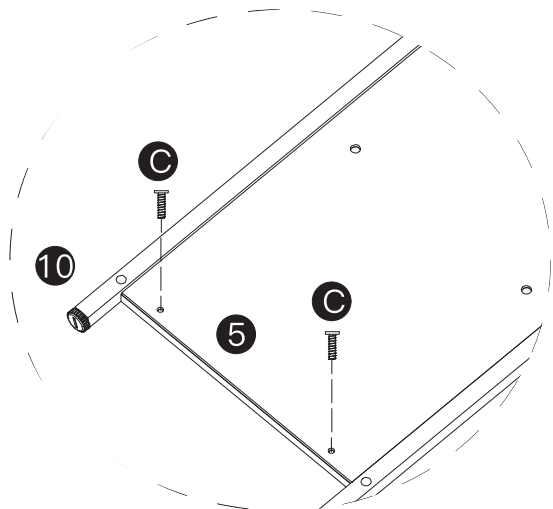
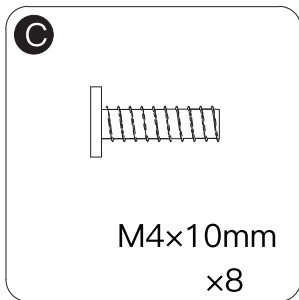
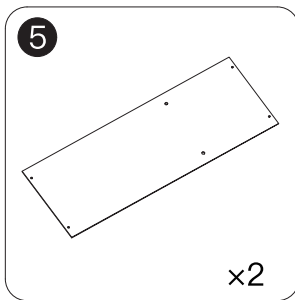


HOW TO INSTALL

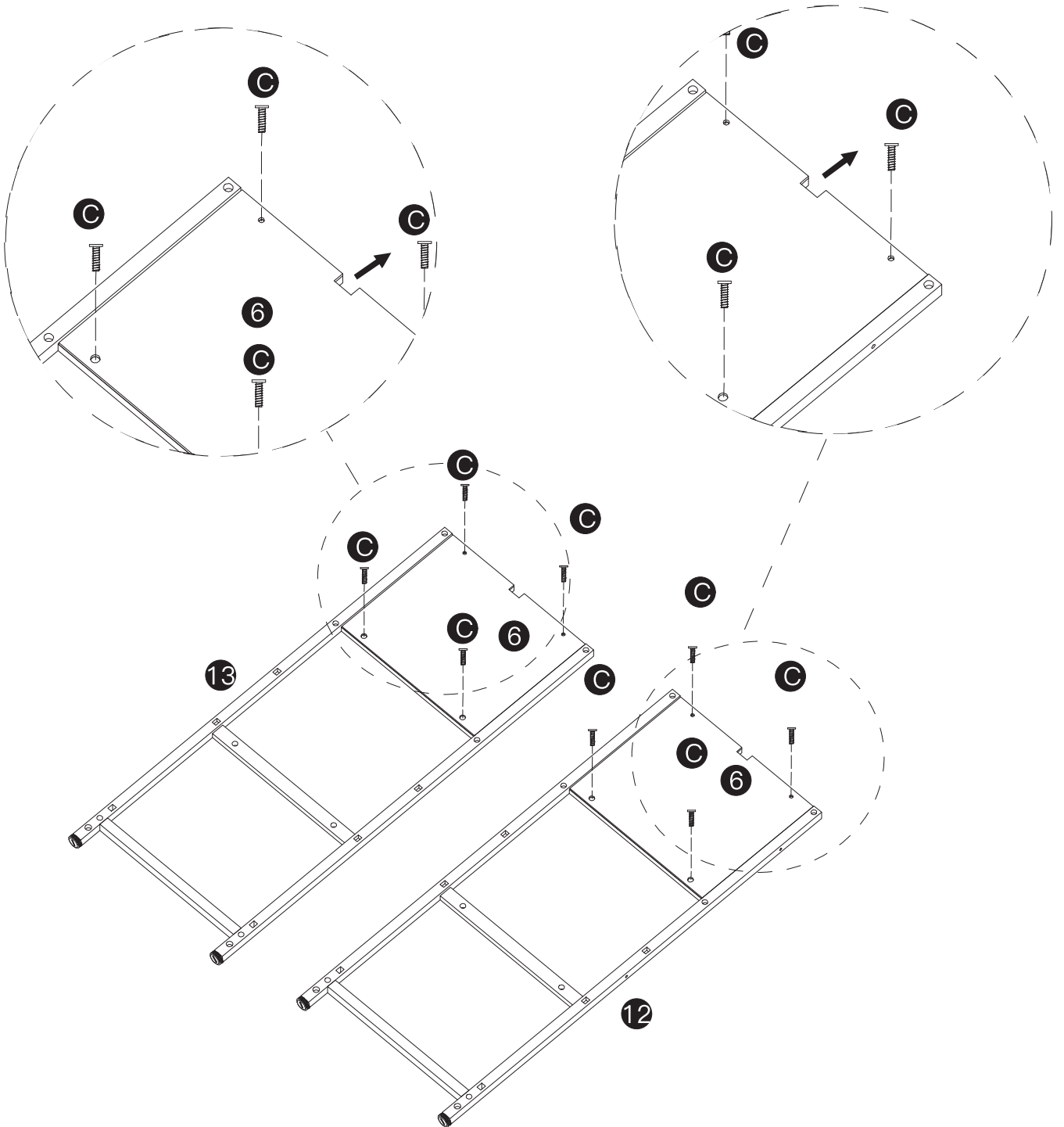
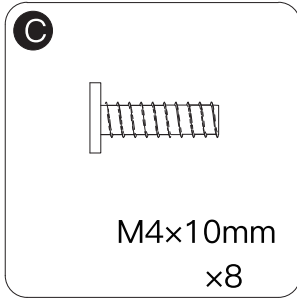
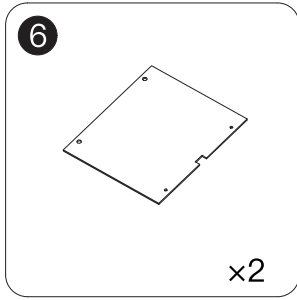
Step 1 Install part **K** on part **10** **11** **12** **13**.



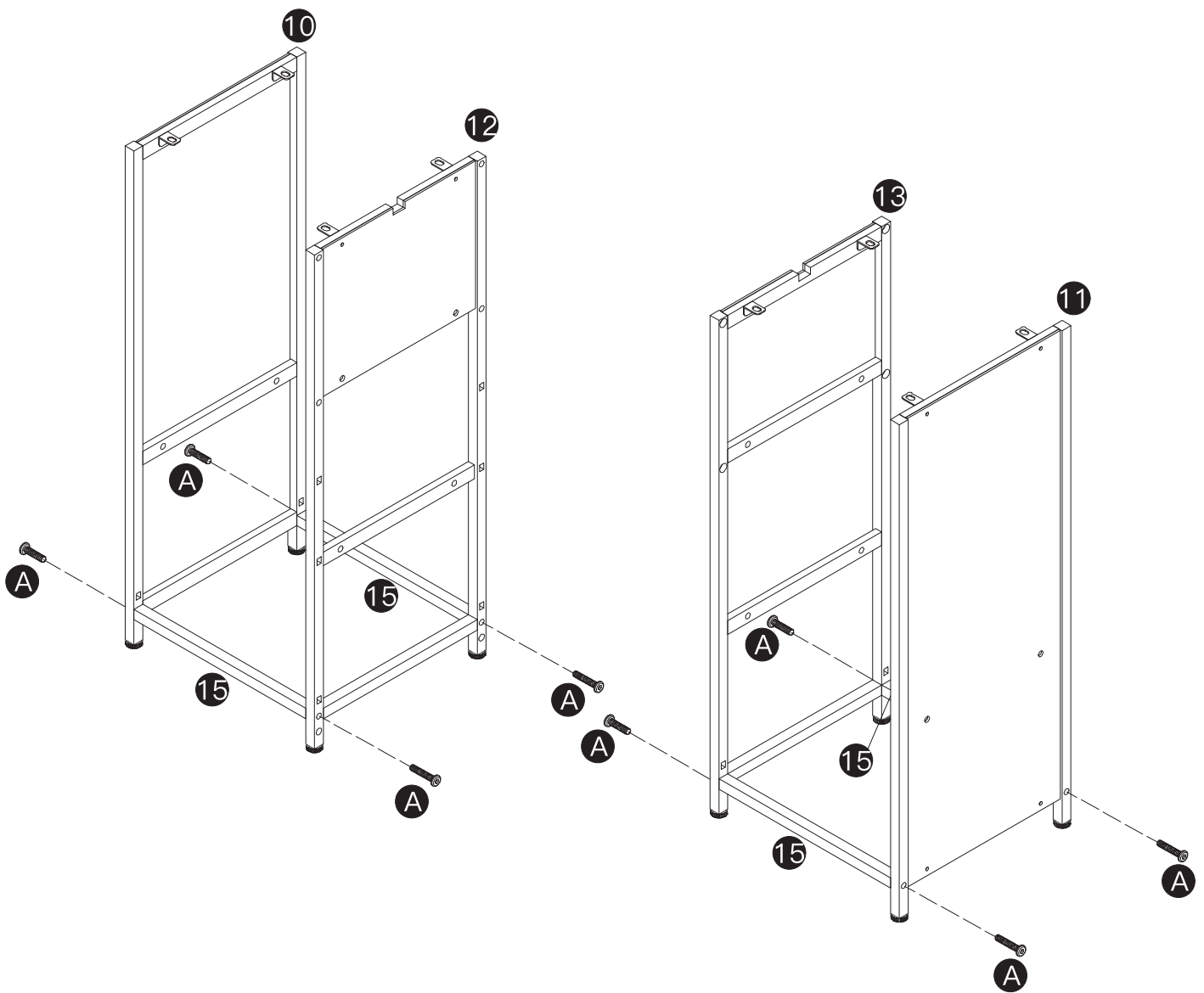
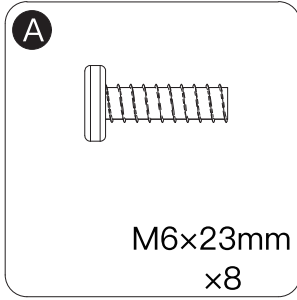
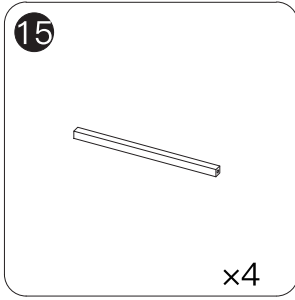
Step 2 Install part **5** on part **10** & **11** and use part **C** to screw them.



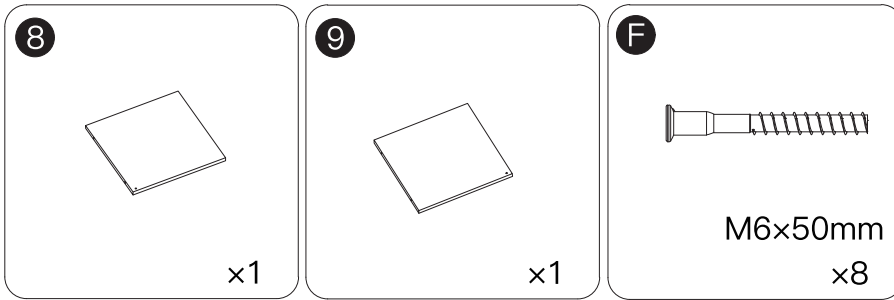
Step 3 Install part **6** on part **13** & **12** and use part **C** to screw them.



Step 4 Connect part 10 & 12 and 11 & 13 with part 15, use part A to screw them.



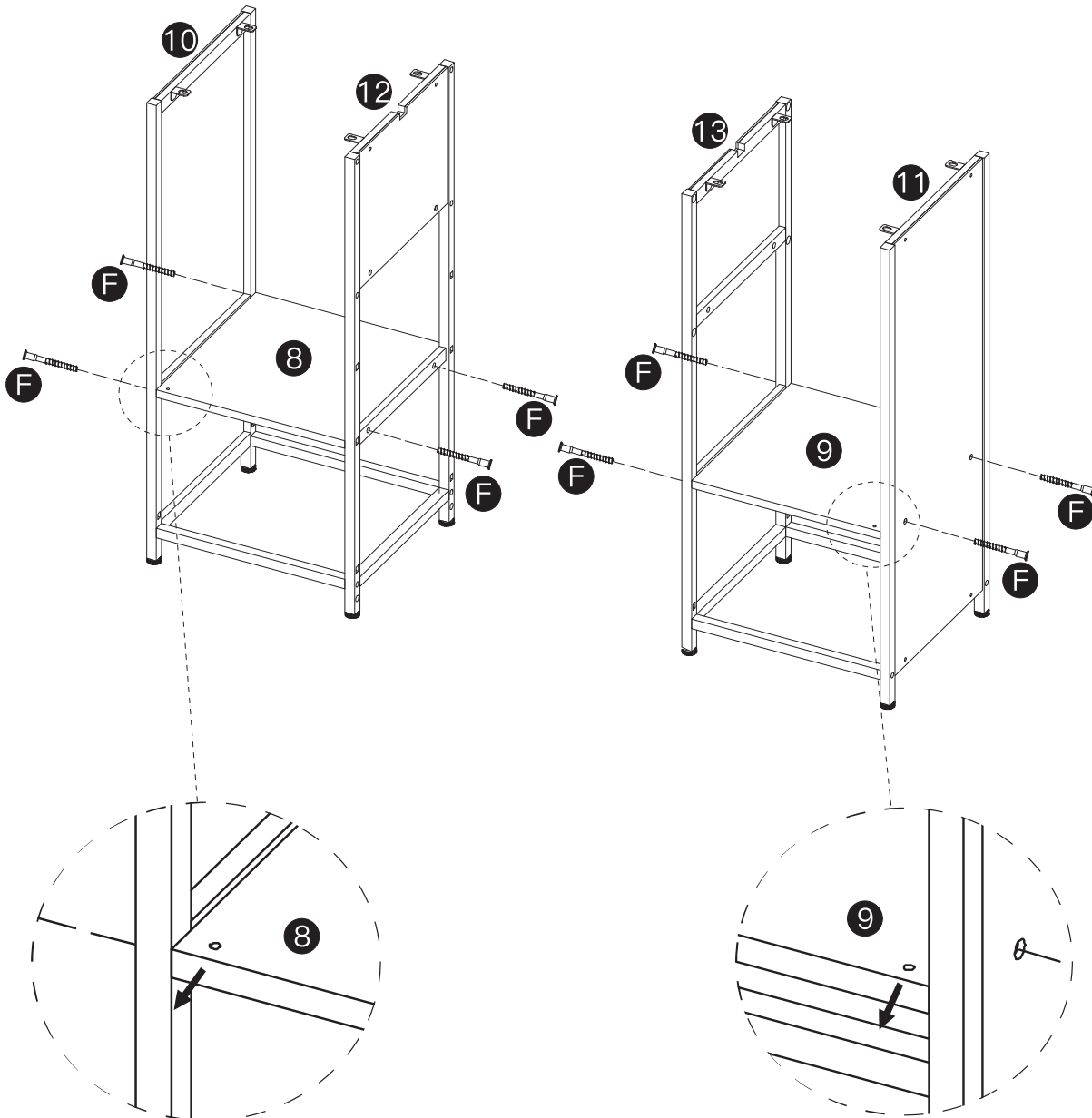
Step 5 Install part 8 on part 10 & 12 and Install part 9 on part 11 & 13. Use part F to screw them.



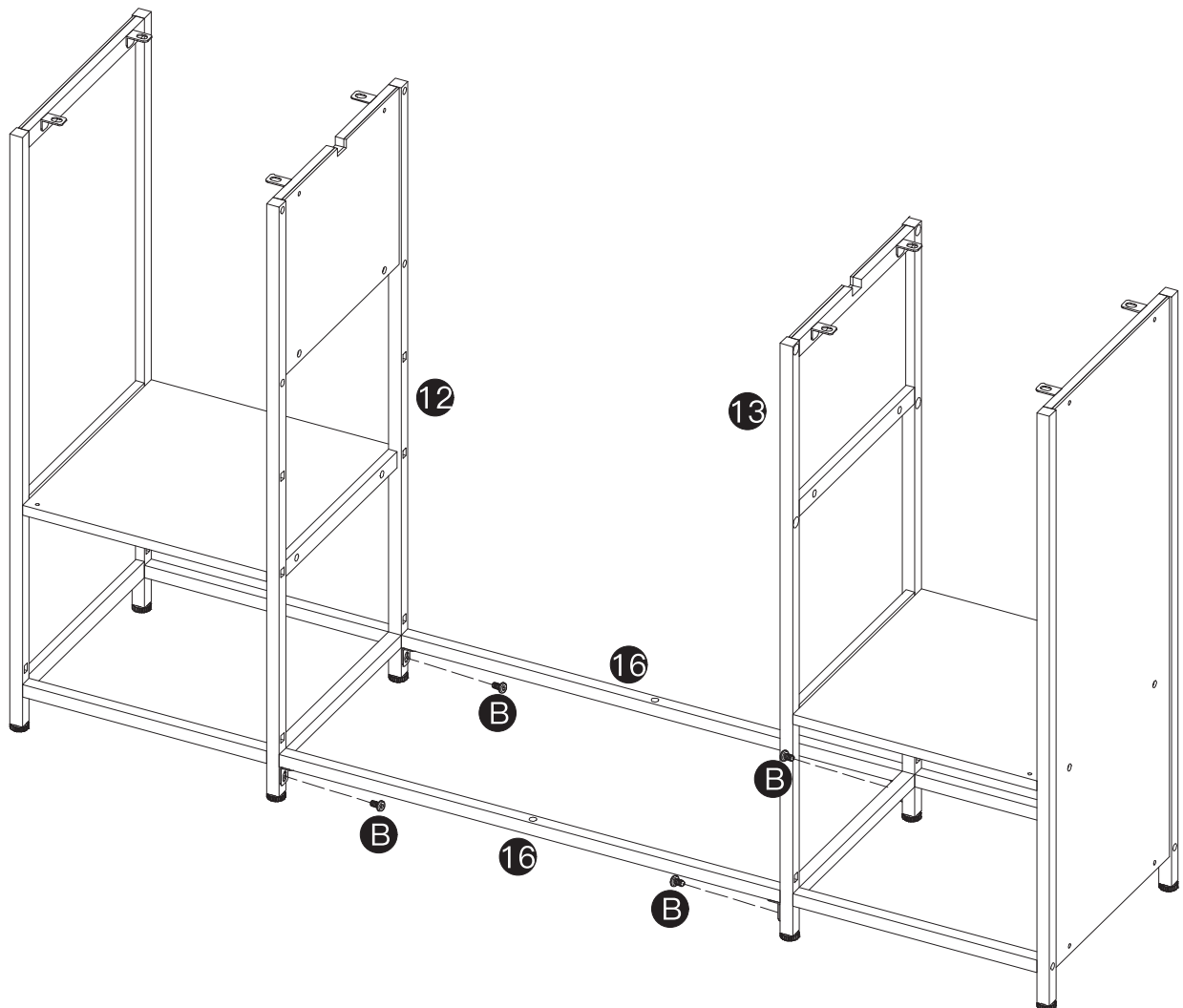
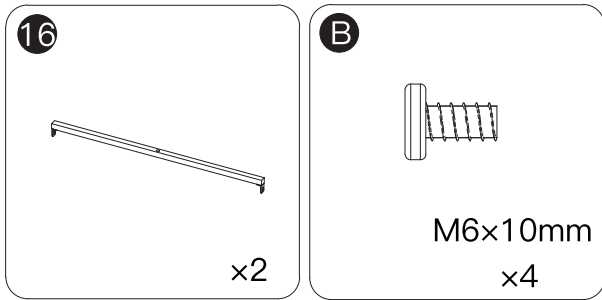
BACK

FRONT

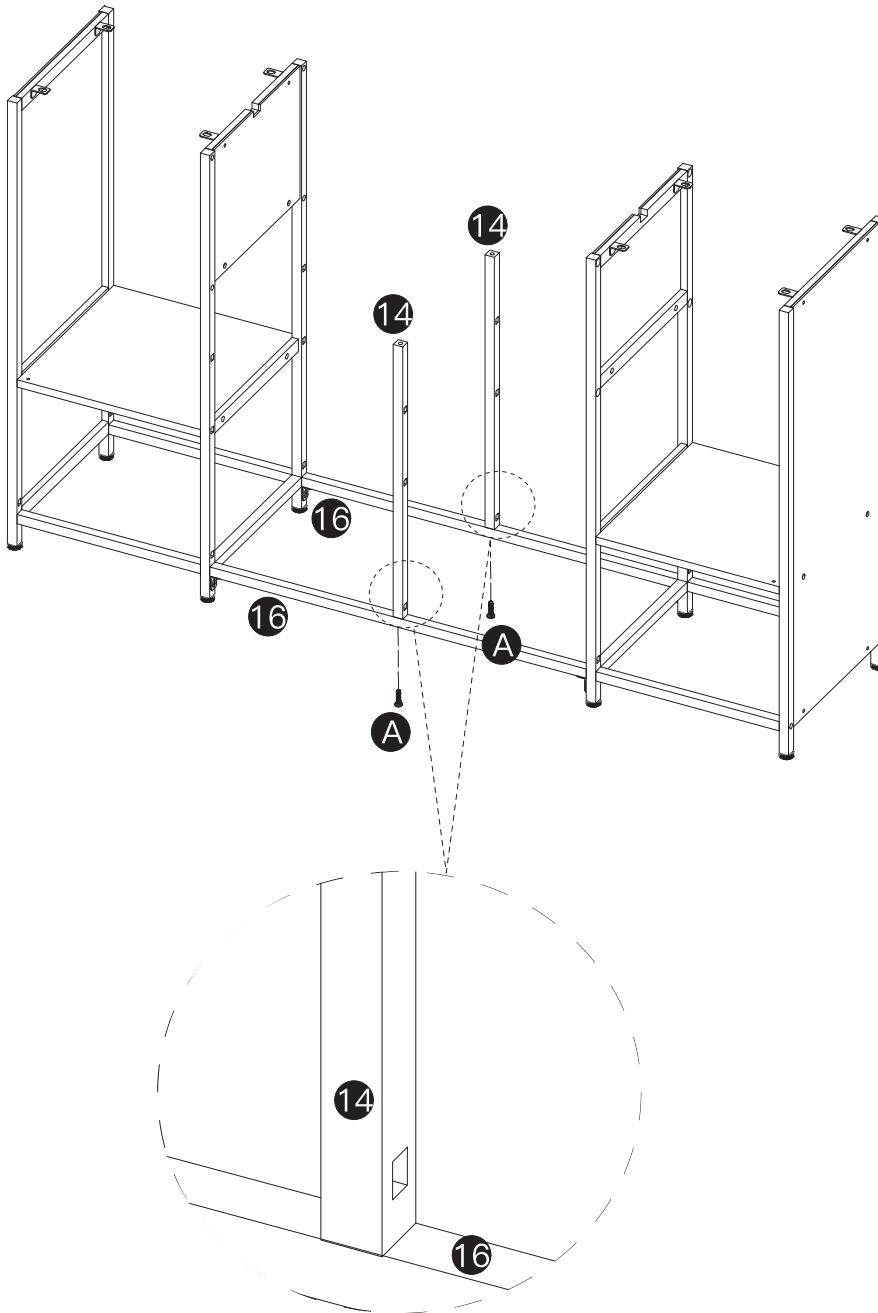
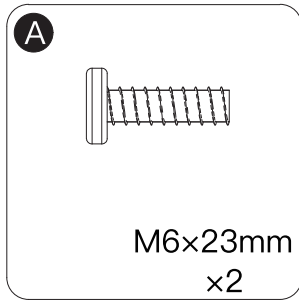
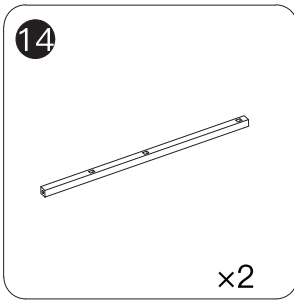
NOTICE:
Make sure the holes in part 8 9 face front.



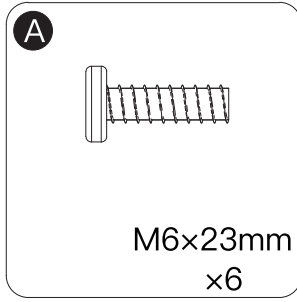
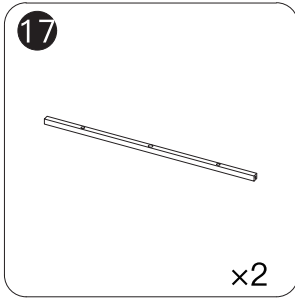
Step 6 Connect part 12 & 13 with part 16, use part B to screw them.



Step 7 Install part 14 on part 16, use part A to screw them.

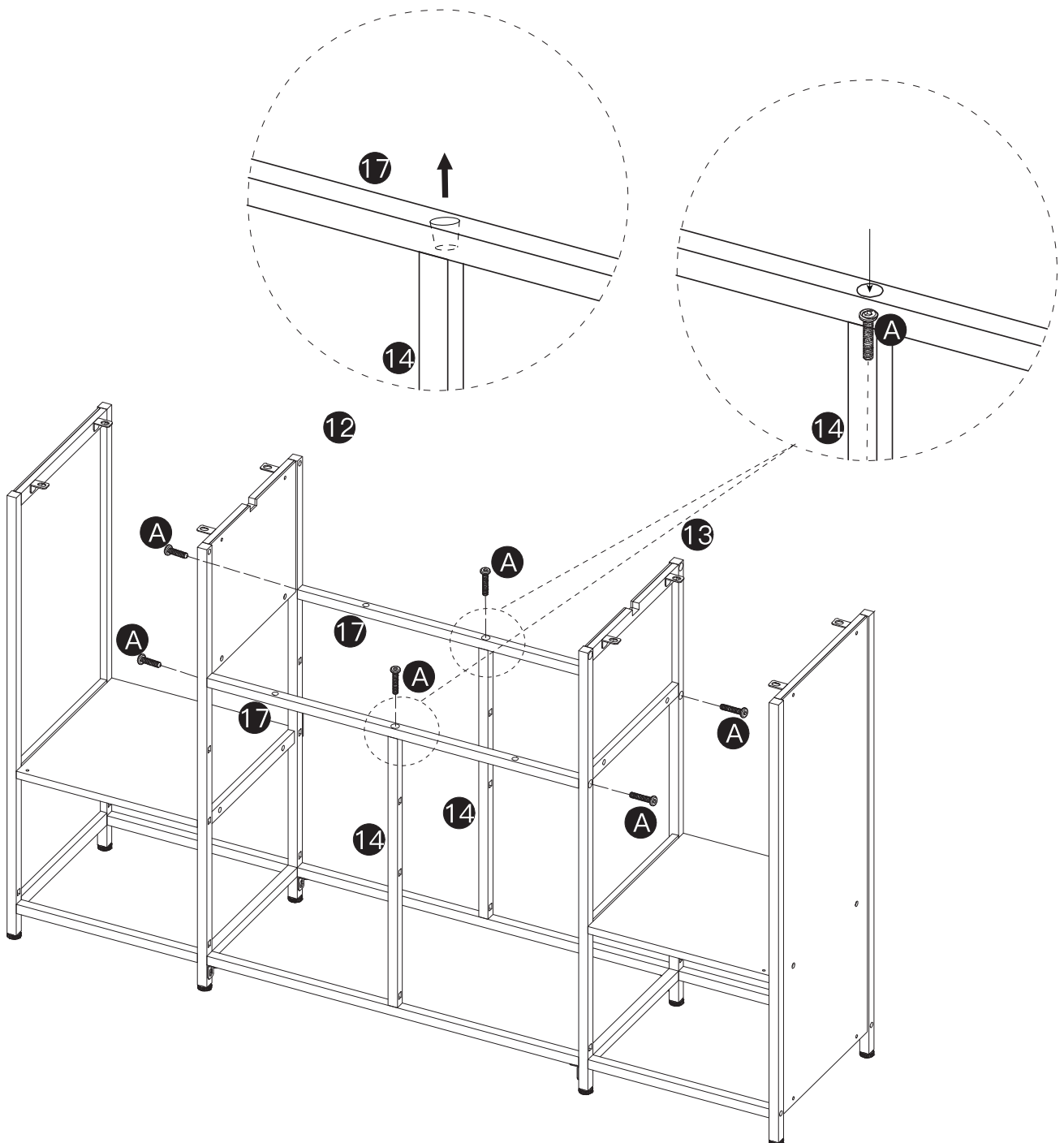


Step 8 Connect part 13 12 and 14 with part 17, use part A to screw them.

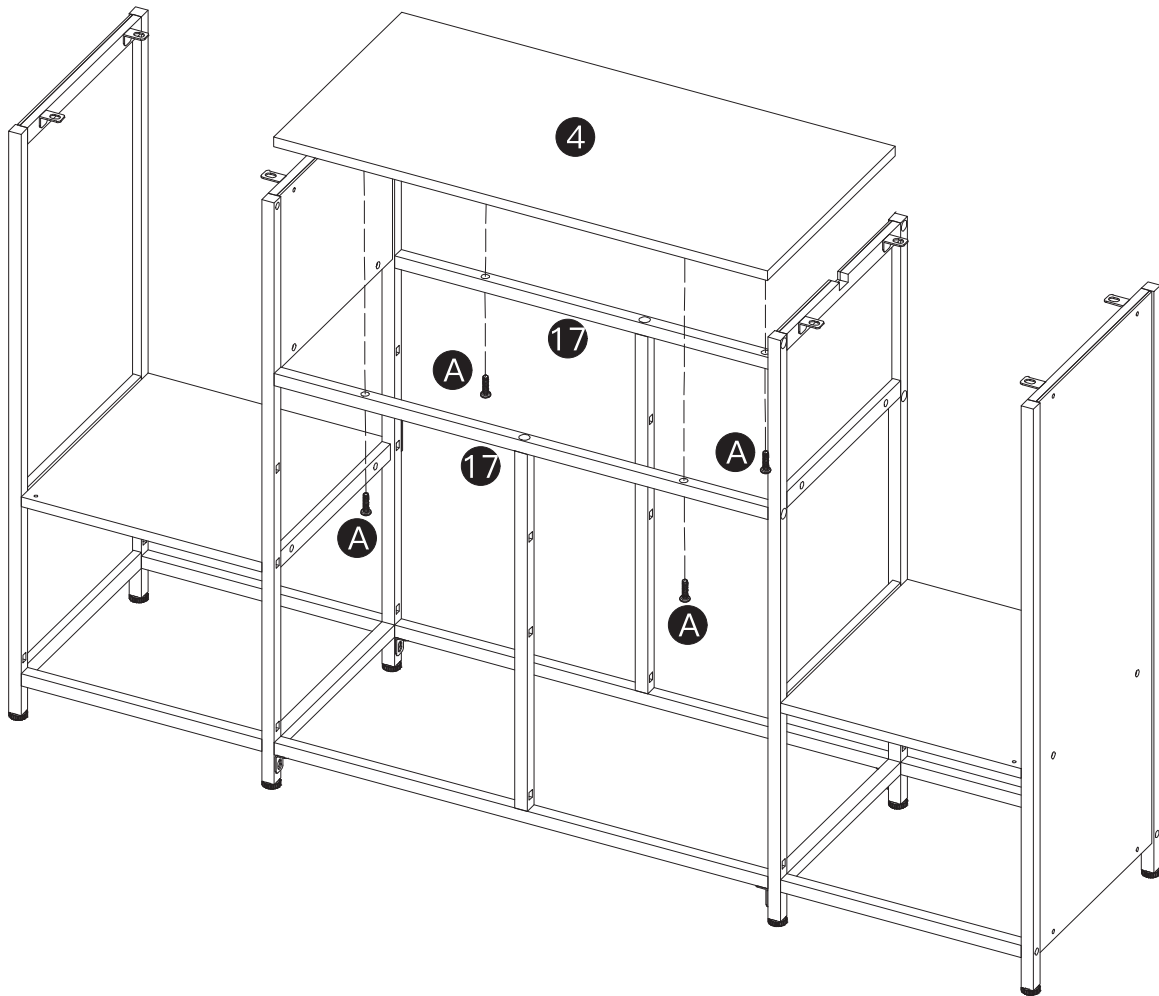
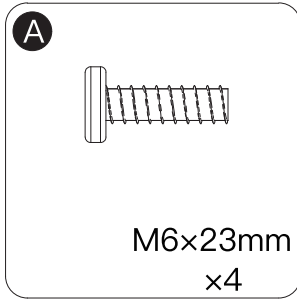
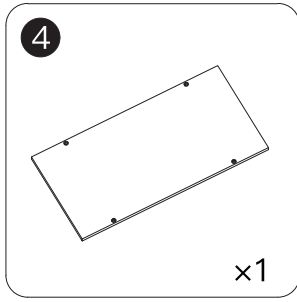


NOTICE:

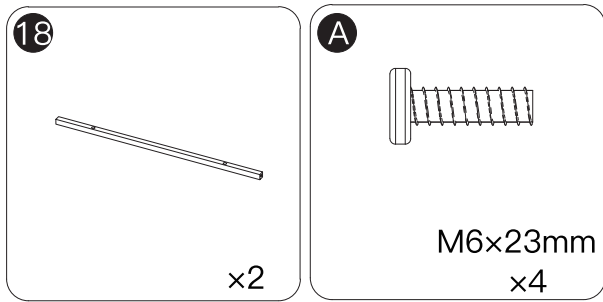
Make sure the larger hole of part 17 is facing upwards, tighten the screws after inserting into larger holes.



Step 9 Install part 4 on Part 17, use part A to screw them.

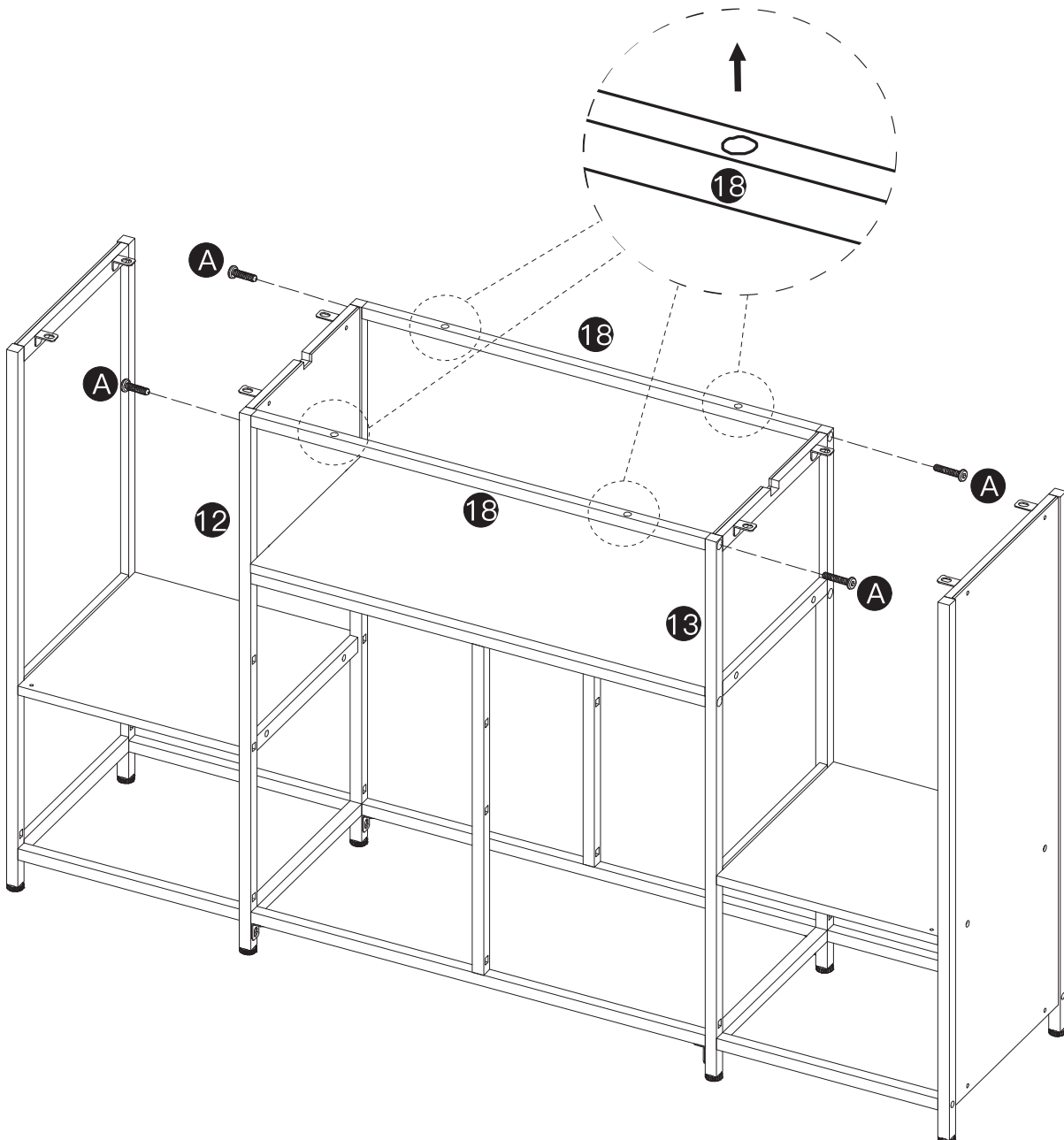


Step 10 Connect part 13 and 12 with part 18, use part A to screw them

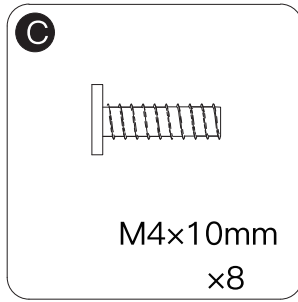
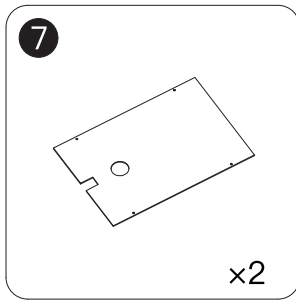


NOTICE:

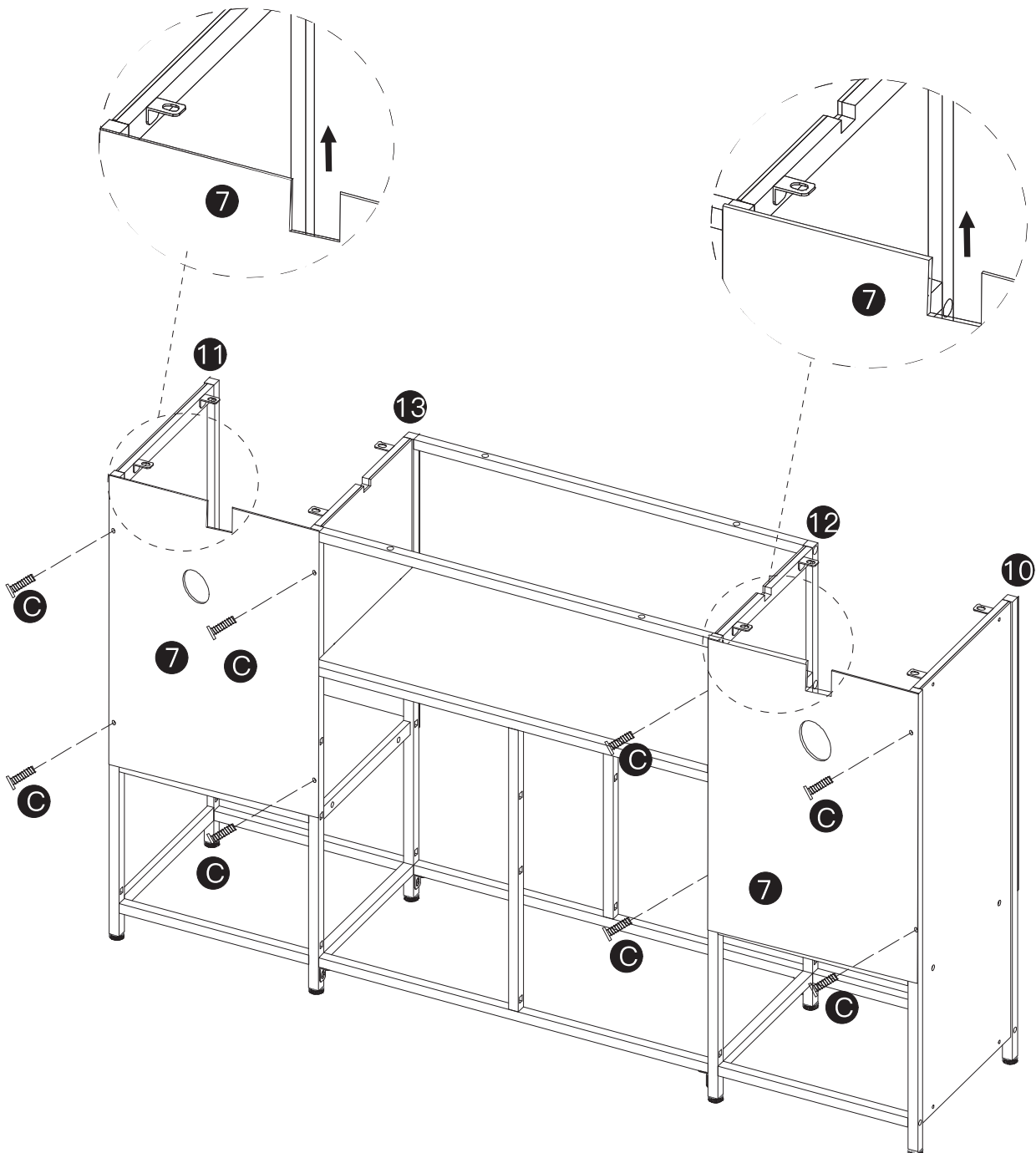
Make sure the holes in part 18 are facing upwards.



Step 11 Connect part 10 & 12 and 11 & 13 with part 7, use part C to screw them.

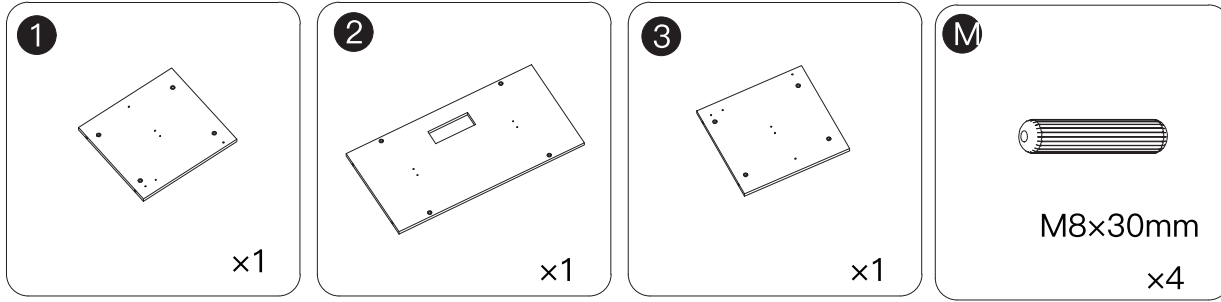


NOTICE:
Make sure the recess of part 7 is facing upwards.



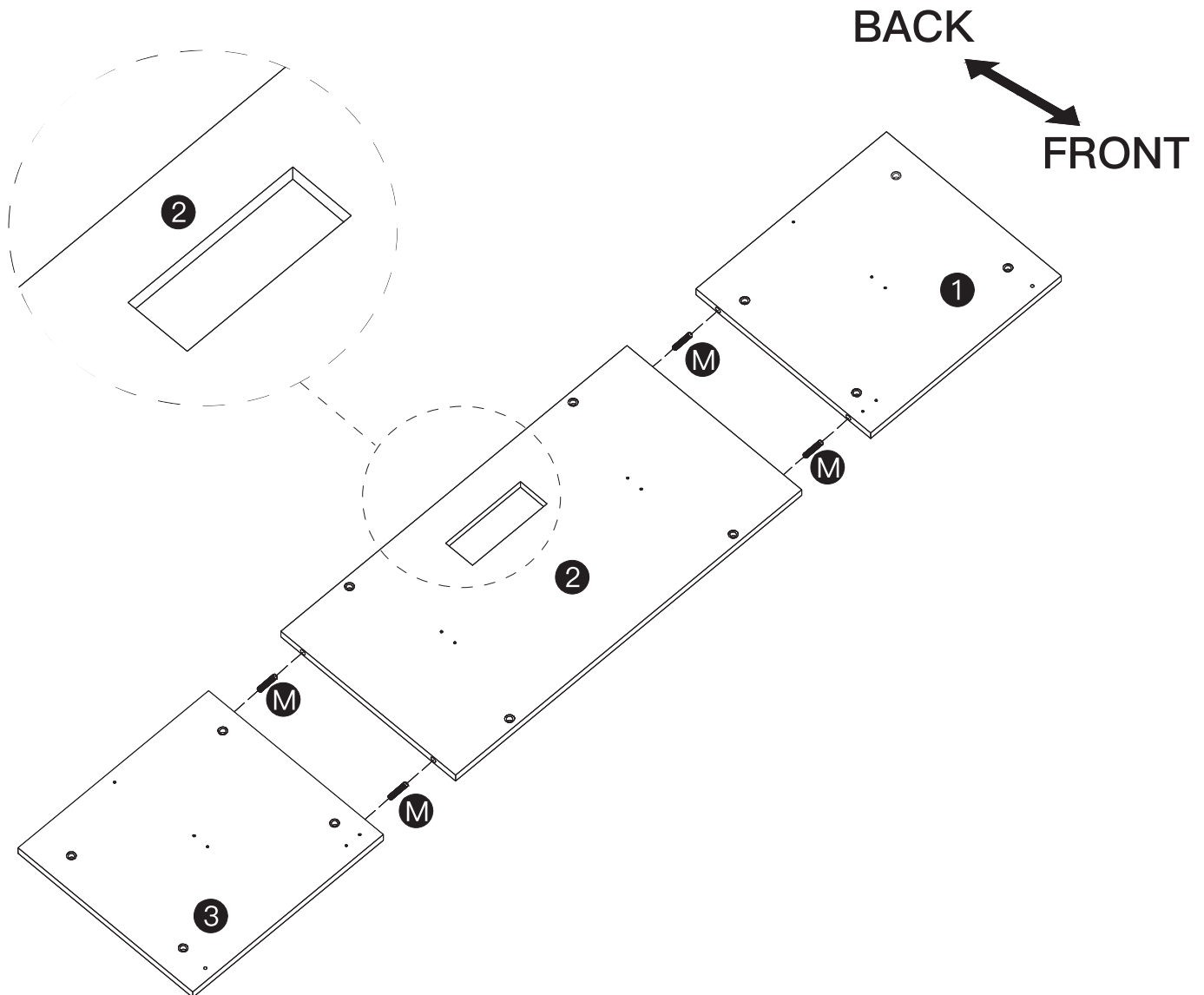
Step 12

Connect part ① ② ③ with part M.

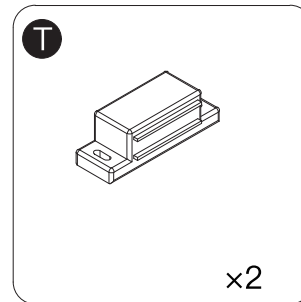
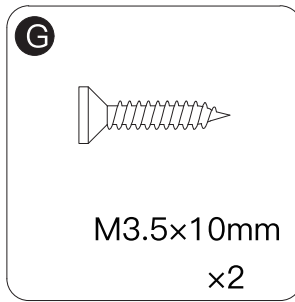
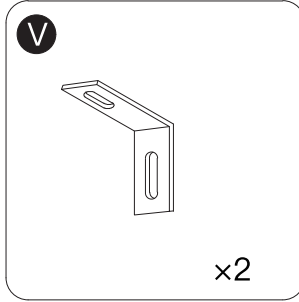
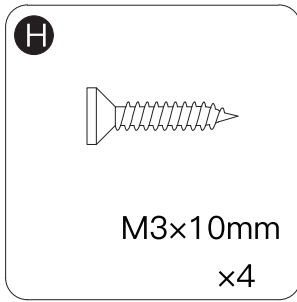


NOTICE:

Make sure the hole of part ② are facing backwards.



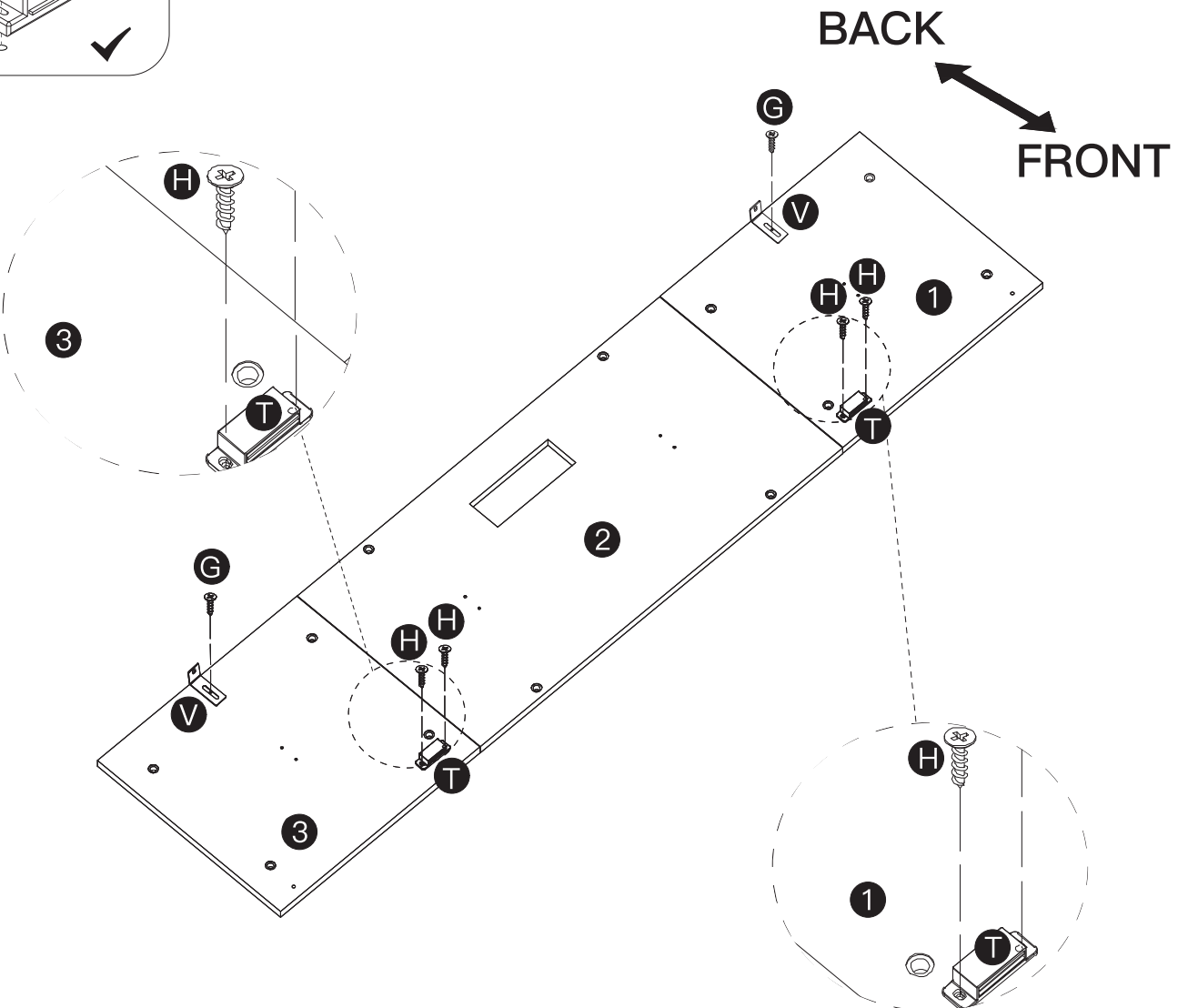
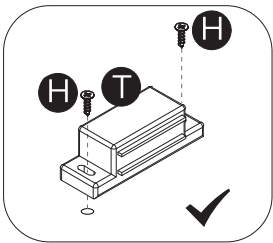
Step 13 Install part **V** on part **1** & **3** use part **G** to screw them. Install part **T** on part **1** & **3** with part **H** to screw them.



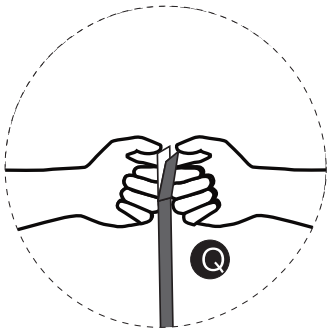
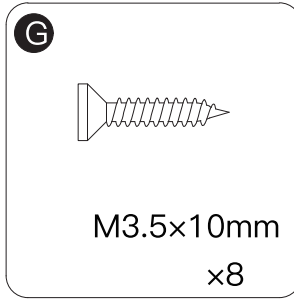
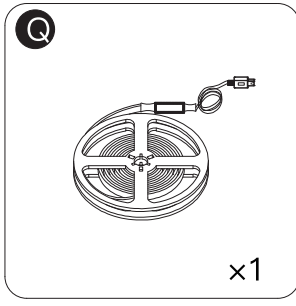
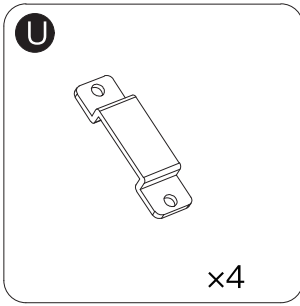
NOTICE:

Torque part **H** directly down into part **T**.

Magnets of part **T** are facing forward.

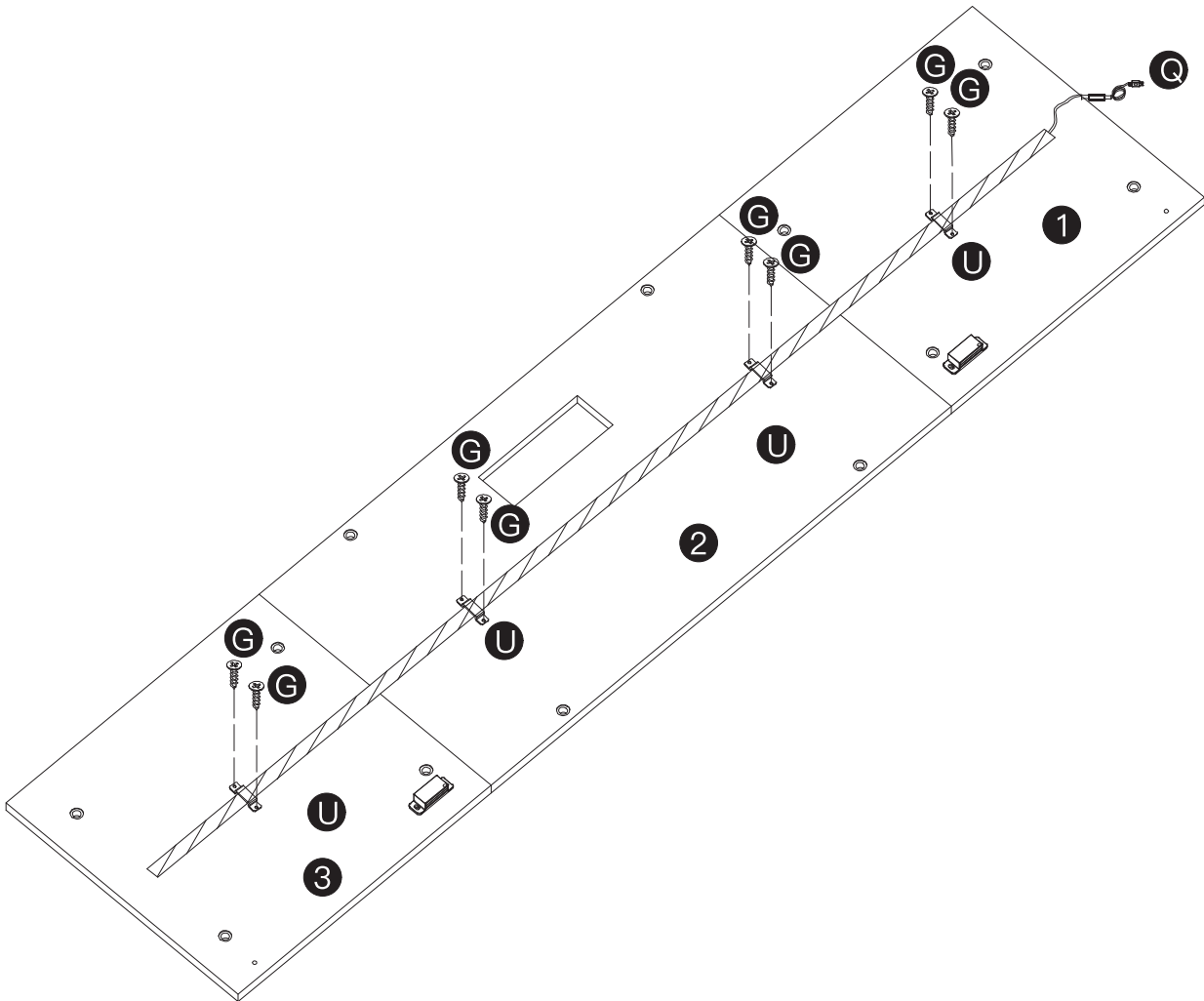


Step 14 Install part **Q** on Part **1 2 3** with part **U**, use part **G** to screw them.

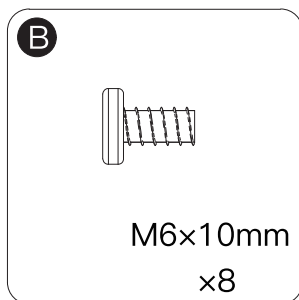
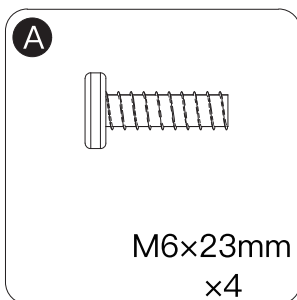


NOTICE:

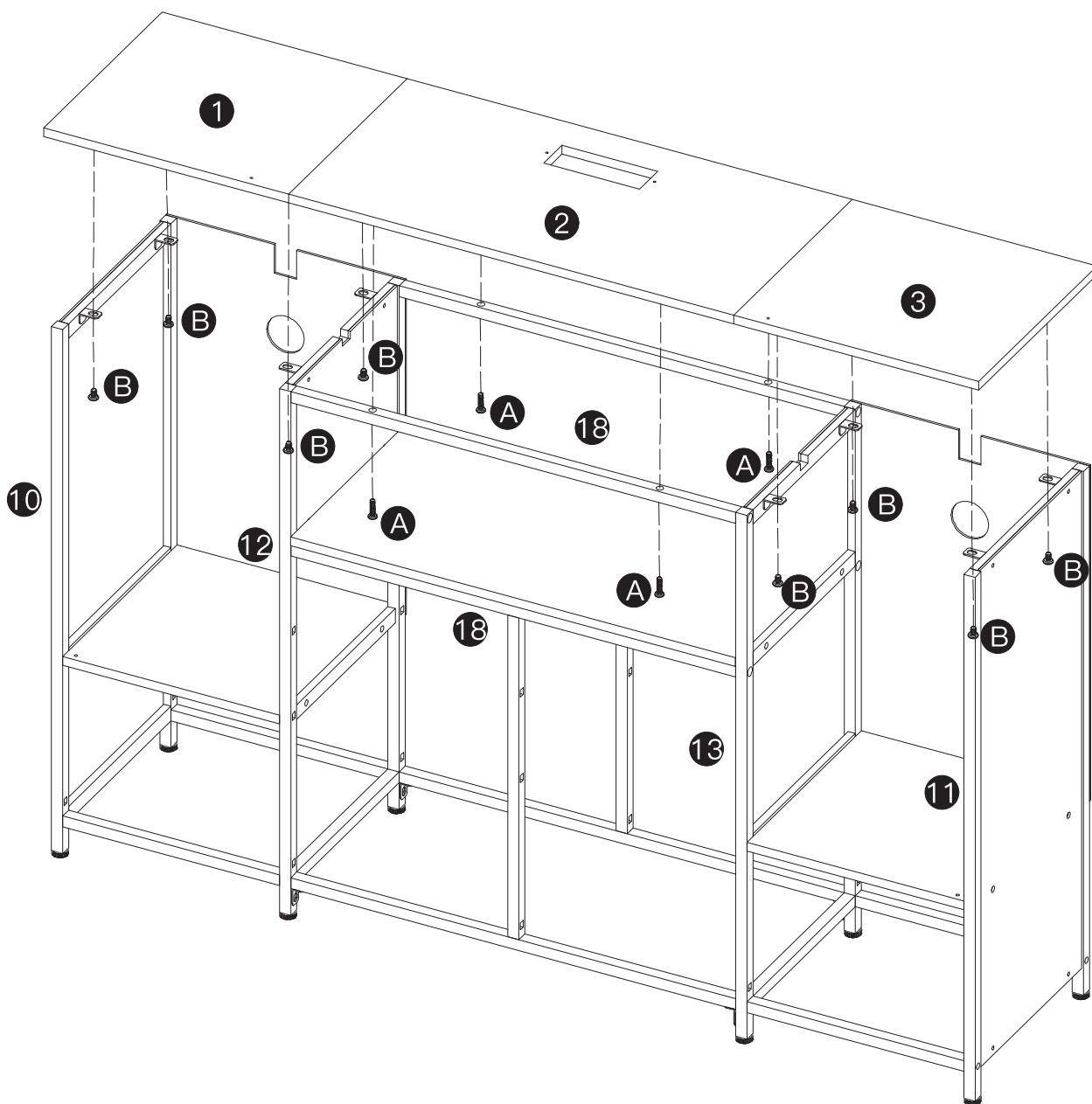
Please remove the tape from the back of part **Q** firstly.



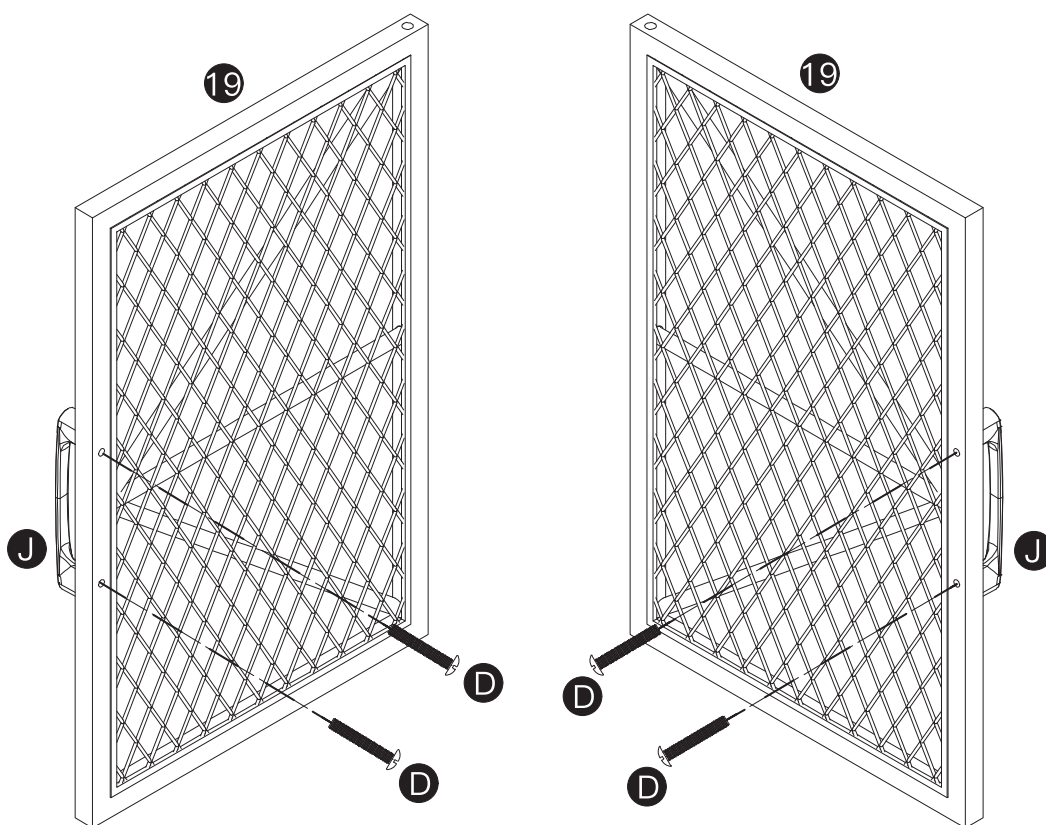
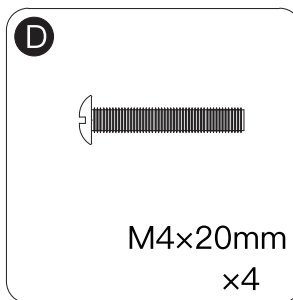
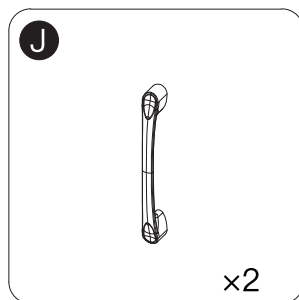
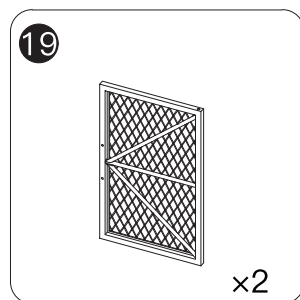
Step 15 Install part 1 on part 10 & 12 and install part 3 on part 11 & 13 use part B to screw them. Install part 2 on part 13 and use part A to screw them.



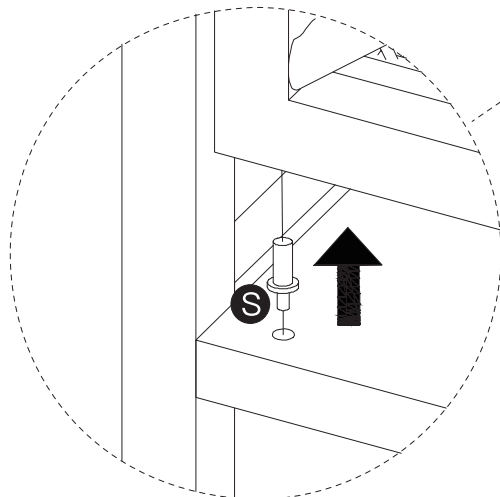
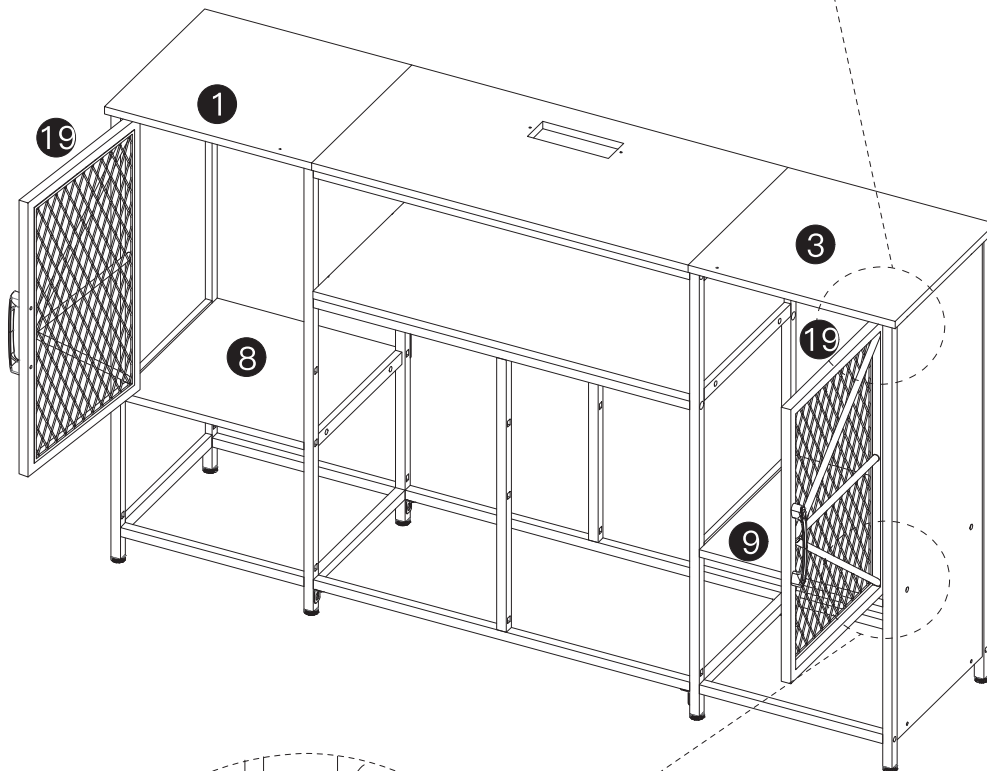
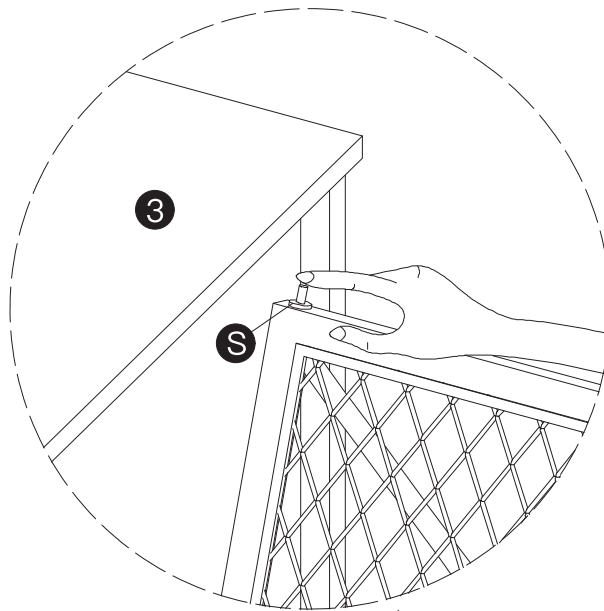
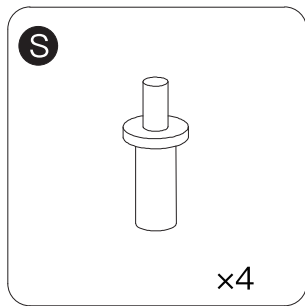
NOTICE:
Part A is longer than part B.
Install the screws as shown.



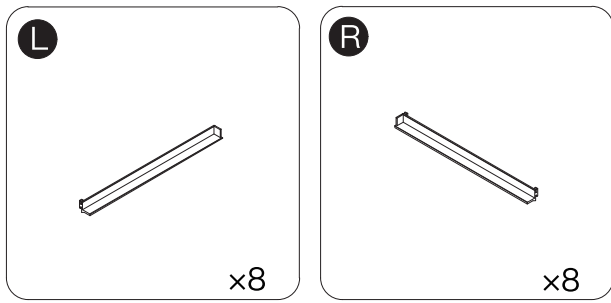
Step 16 Install part **J** on part **19**, use part **D** to screw them.



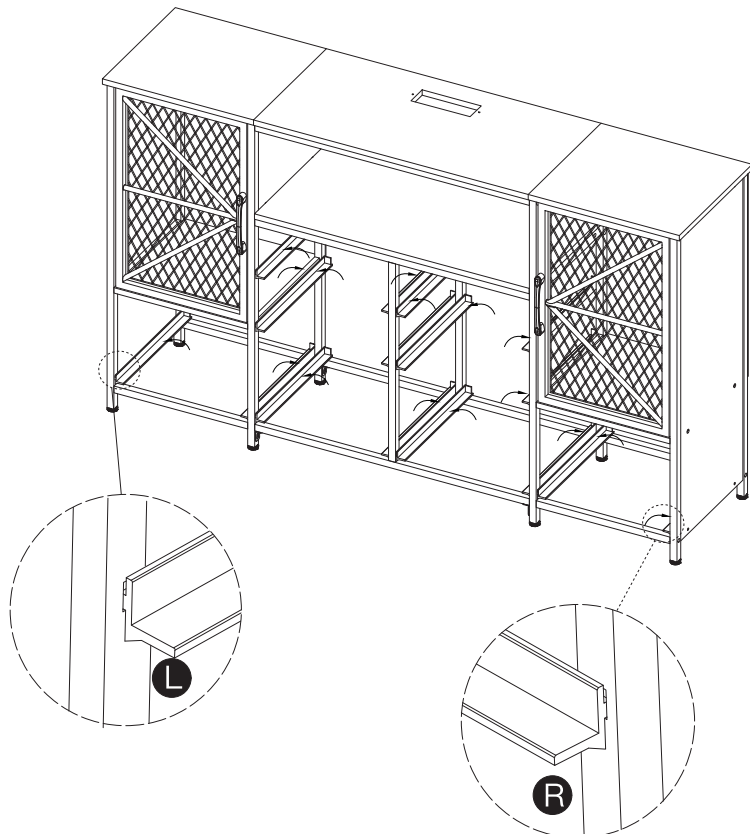
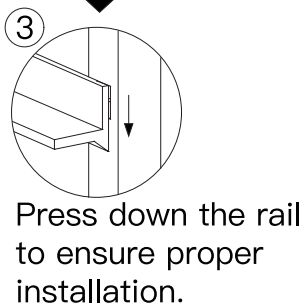
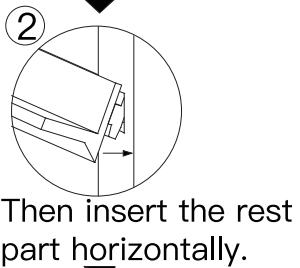
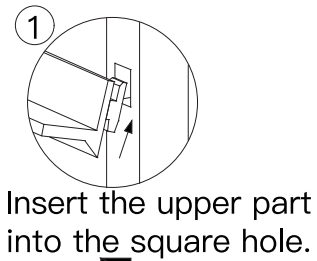
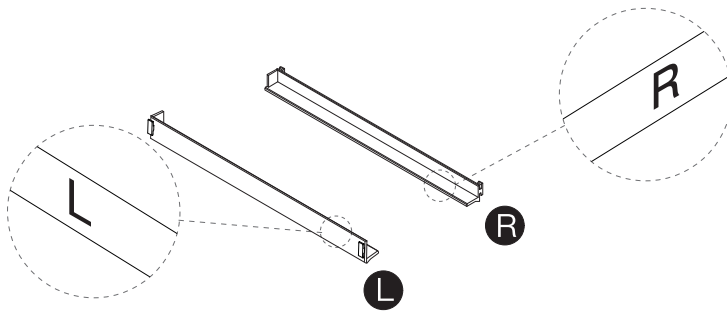
Step 17 Install part **S** on part **19** and Insert part **19** into part **1** & **8** and **3** & **9**.



Step 18 Install part **L** & **R** on the frame.

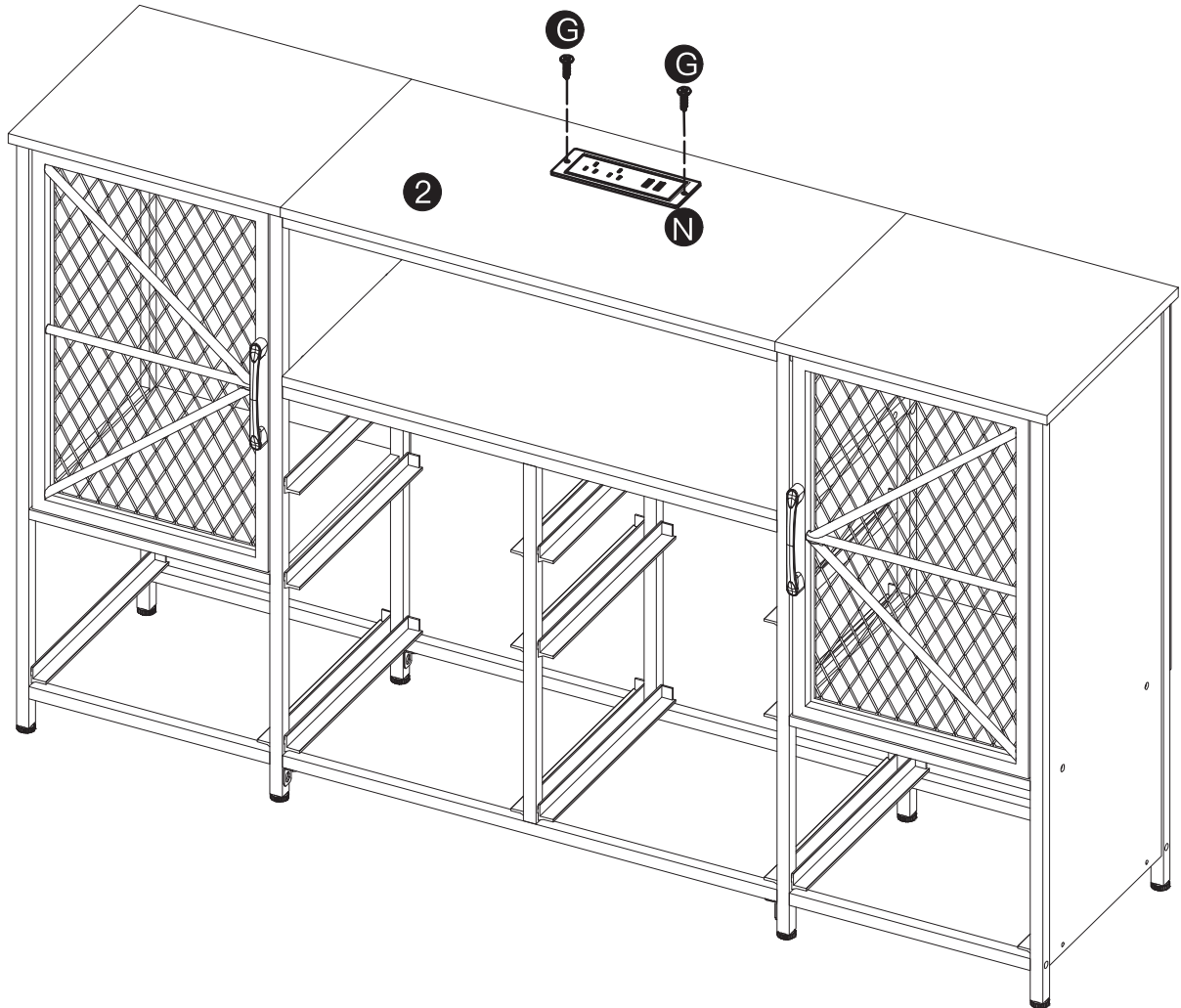
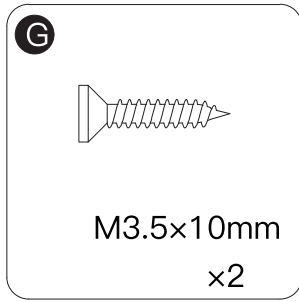
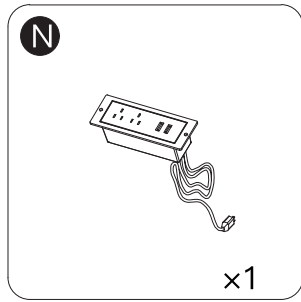


There's a corresponding **L** and **R** mark on each part located in a specified spot designed to distinguish them from each other easily.



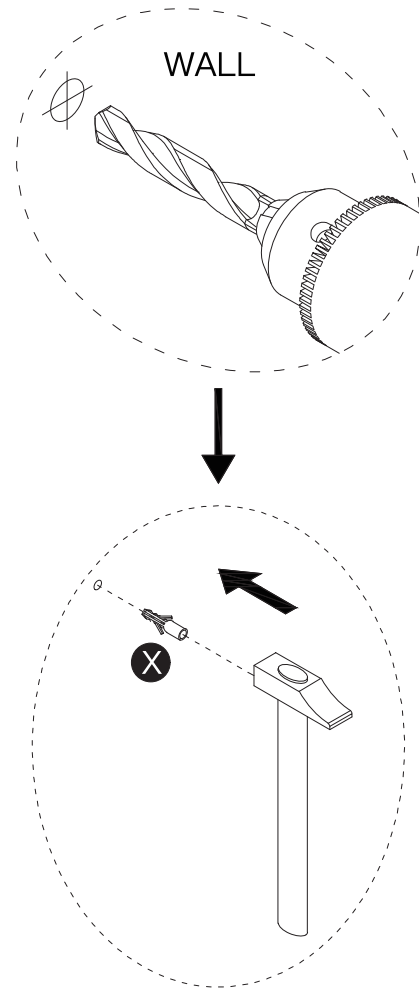
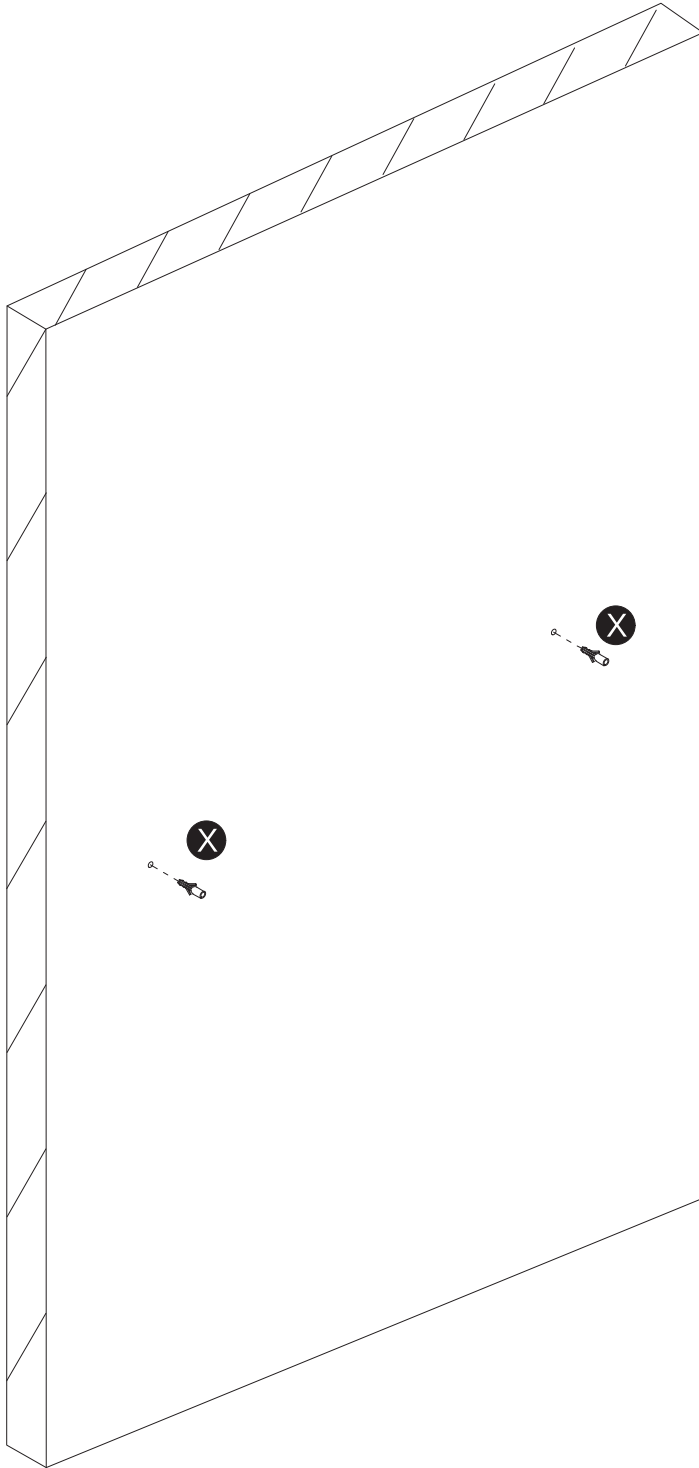
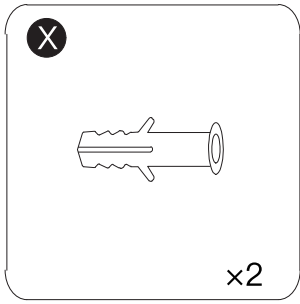
Step 19

Install part **N** on part **2**, use part **G** to screw them.

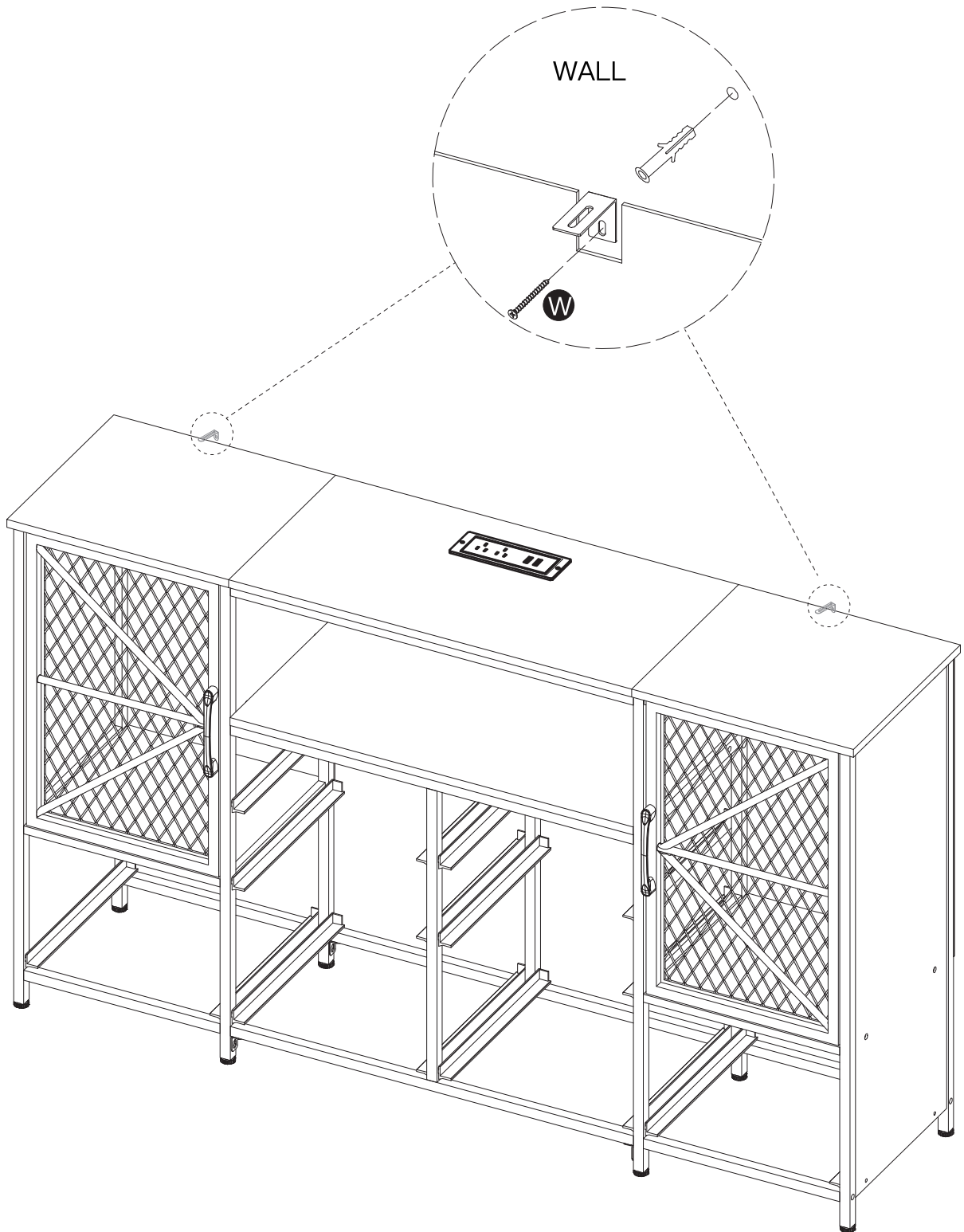
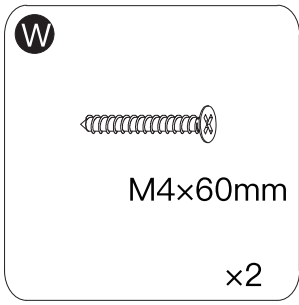


Step 20

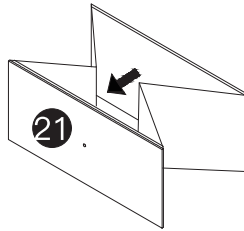
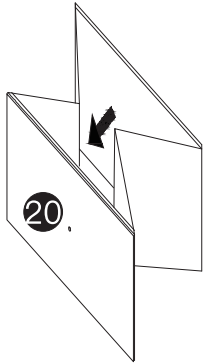
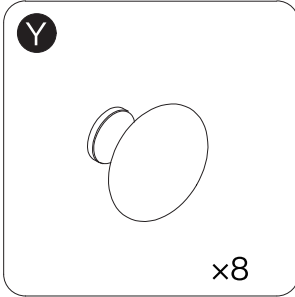
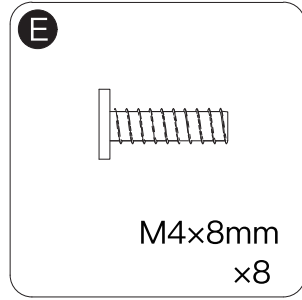
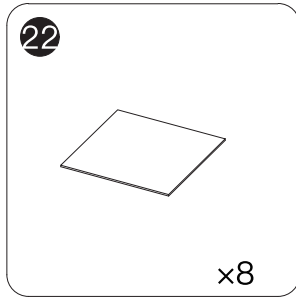
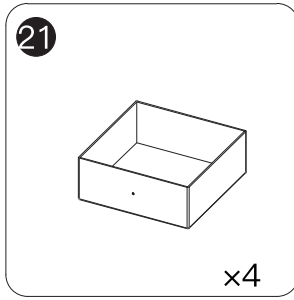
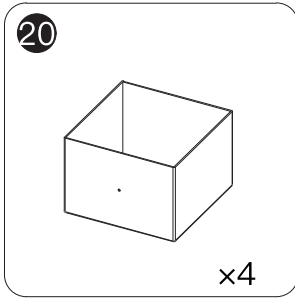
(Optional) Drill two holes on a solid wall, then insert part **X**.



Step 21 Tighten them with part **W** .

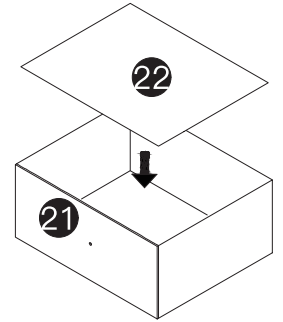
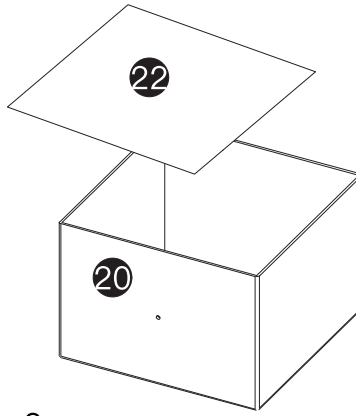


Step 22 Open the drawers (part 20 & 21) and put part 22 inside, and install part Y on the drawers with part E.



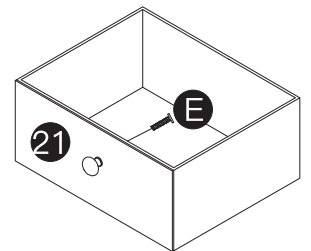
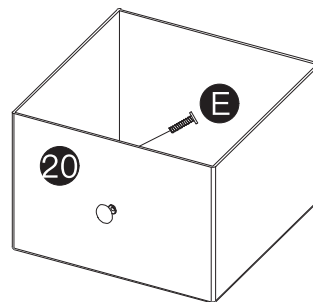
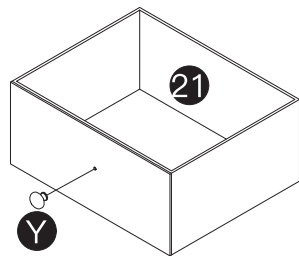
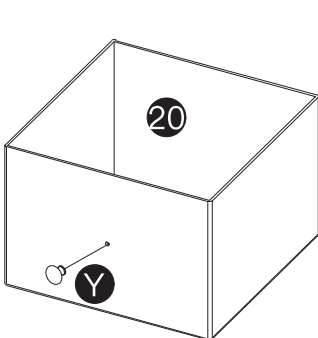
1

2



3

4



X4

Step 23

Put all drawers into the frame.

