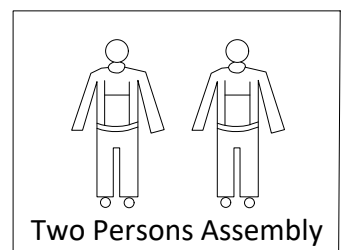
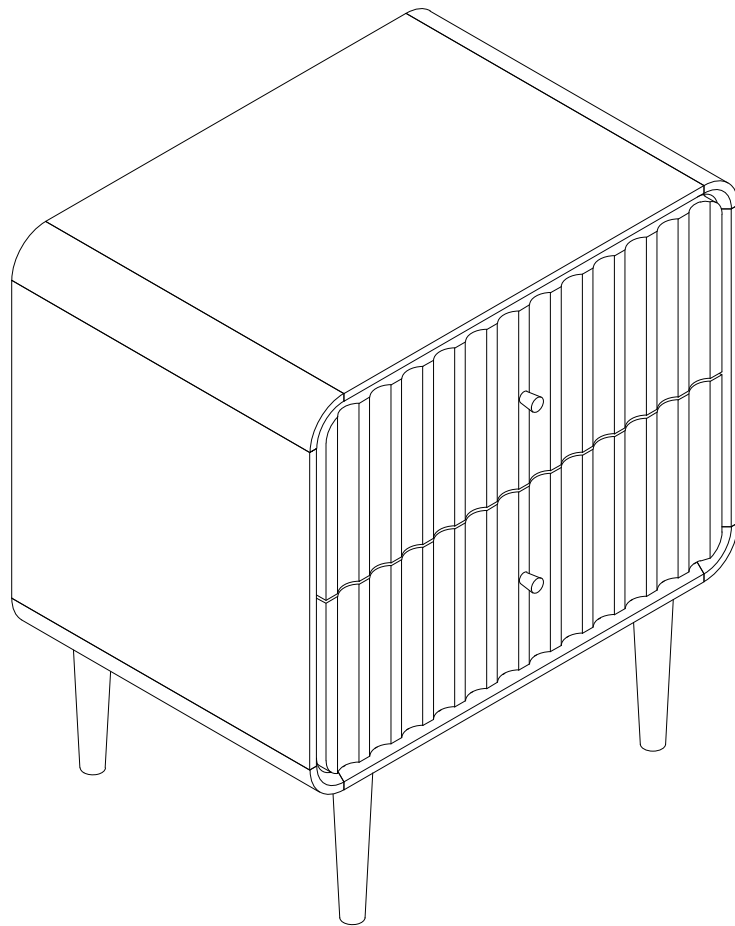
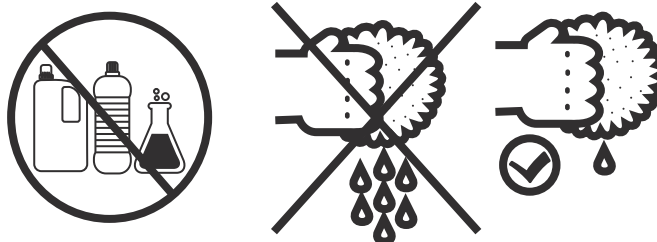
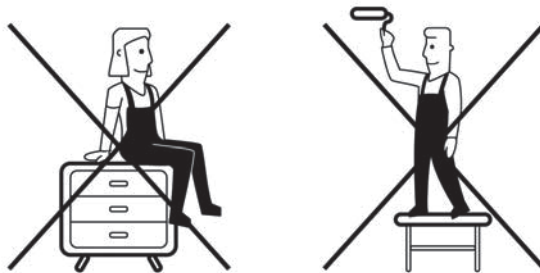
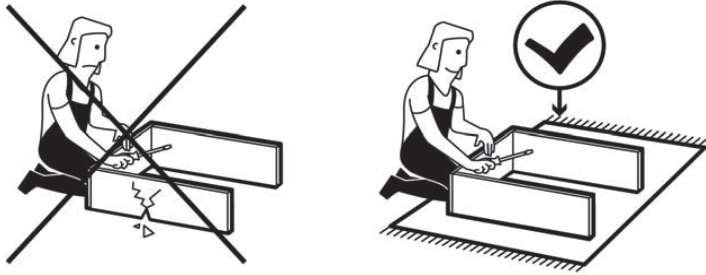
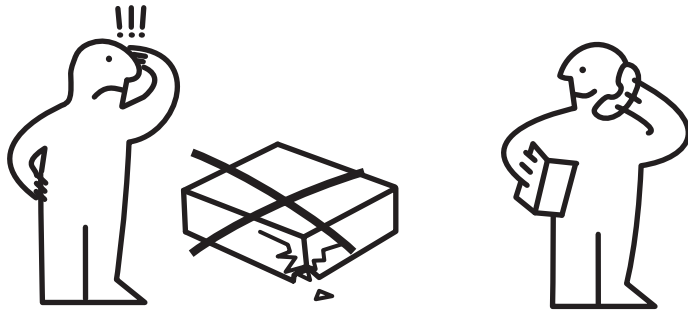
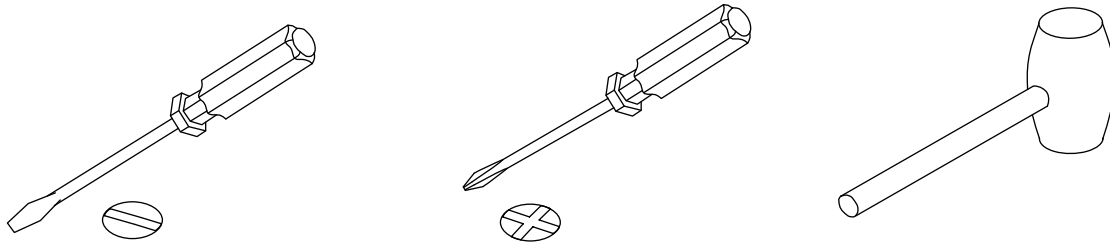


# ASSEMBLY INSTRUCTIONS



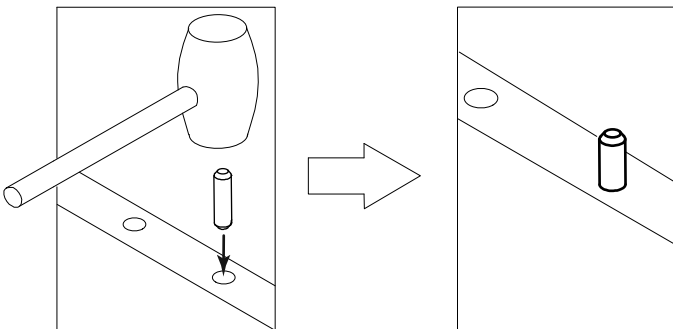


# ASSEMBLY TOOLS REQUIRED (NOT INCLUDED)



- \* Before discarding packing materials, please check all parts and hardware are presented.
- \* Please follow the instructions closely.
- \* After few days of initial assembly, the product may has acclimated to new environment, please tighten all hardware again.

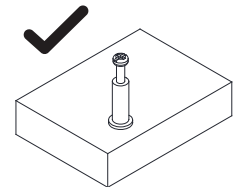
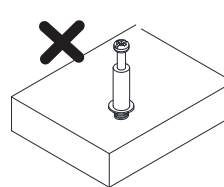
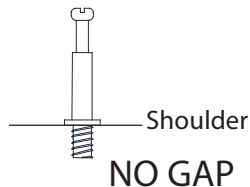
## Dowel Installation



Gently tap dowel into hole with rubber mallet.

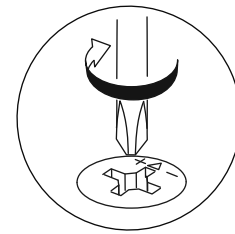
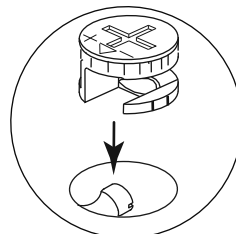
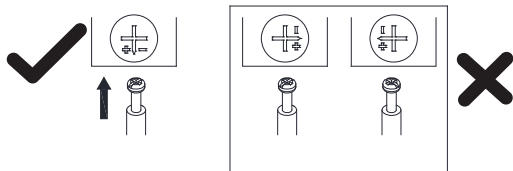
### CAM-LOCK

Tighten until shoulder is flush with panel. Do not overtighten or undertighten

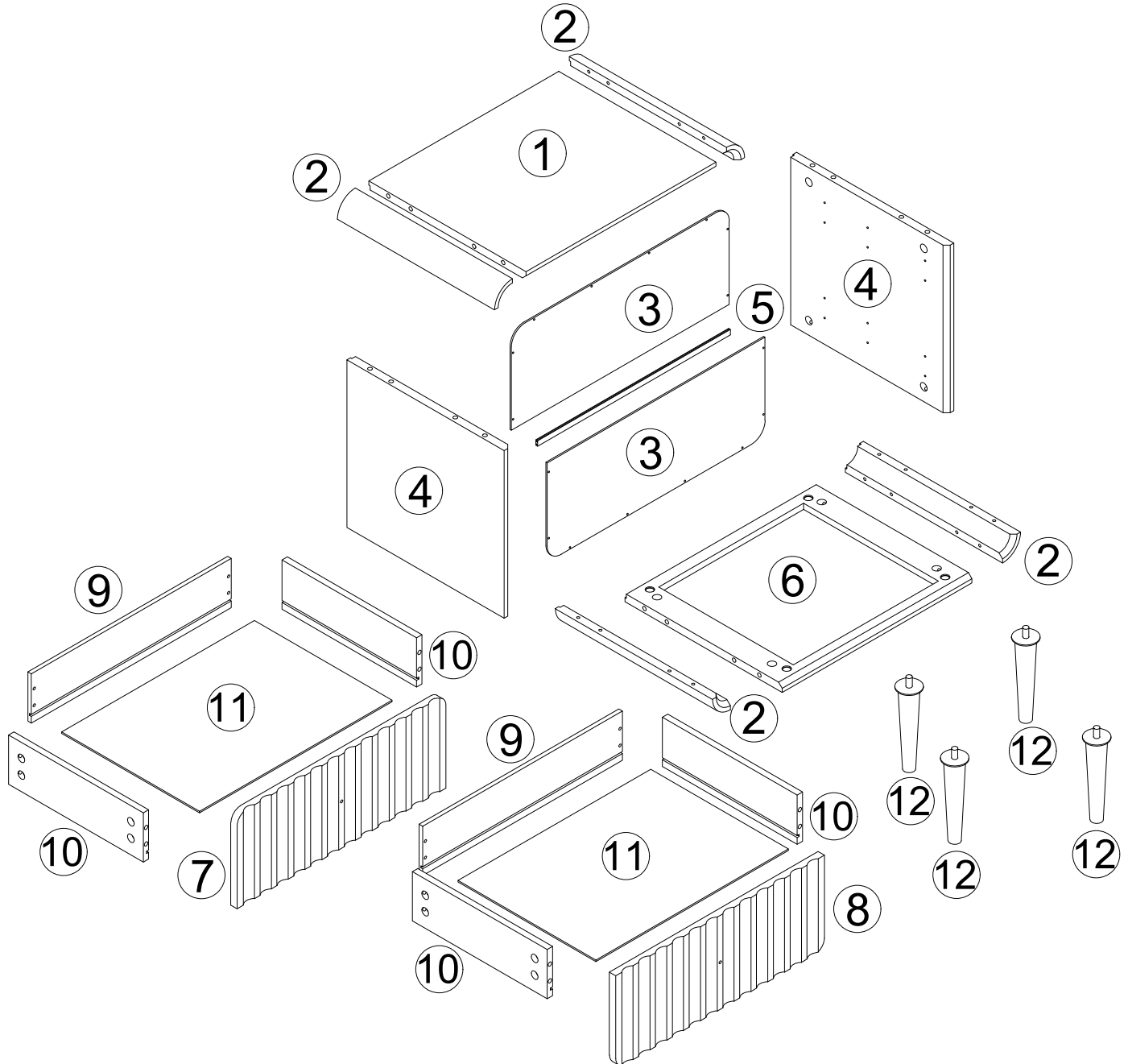


### WHEN FITTING CAMS

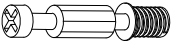
ENSURE STARTING POSITION IS CORRECT BEFORE YOU INSERT CONNECTING CAM-PILLAR  
TURN CLOCKWISE UNTIL SECURE





Laying out all the parts and hardware and identifying each part as shown below. It may help you when you assemble the item.

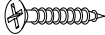



① × 1	② × 4	③ × 2	④ × 2	⑤ × 1	⑥ × 1	⑦ × 1	⑧ × 1
⑨ × 2	⑩ × 4	⑪ × 2	⑫ × 4				

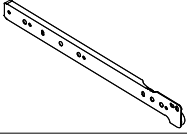
A	×32+2(Spare)
	
ø6×27mm	

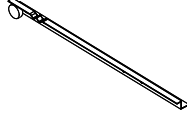
B	×32+2(Spare)
	
ø15×9.5mm	

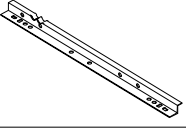
C	×16+1(Spare)
	
ø6×30mm	

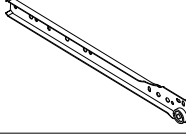
D	×24+2(Spare)
	
FA3×12mm	

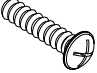
E	×2
	
D19.5×23mm	

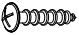
CL	×2
	
300mm	

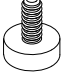
DL	×2
	
300mm	

DR	×2
	
300mm	

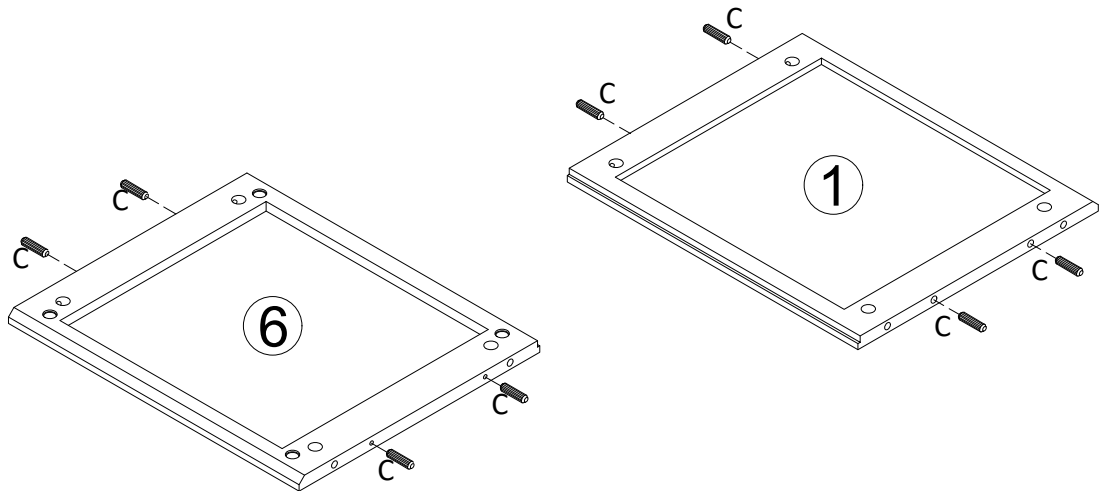
CR	×2
	
300mm	


J	×2+1(Spare)
	
M4×18mm	

K	×16+2(Spare)
	
FA3×10mm	

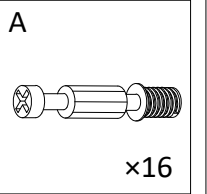
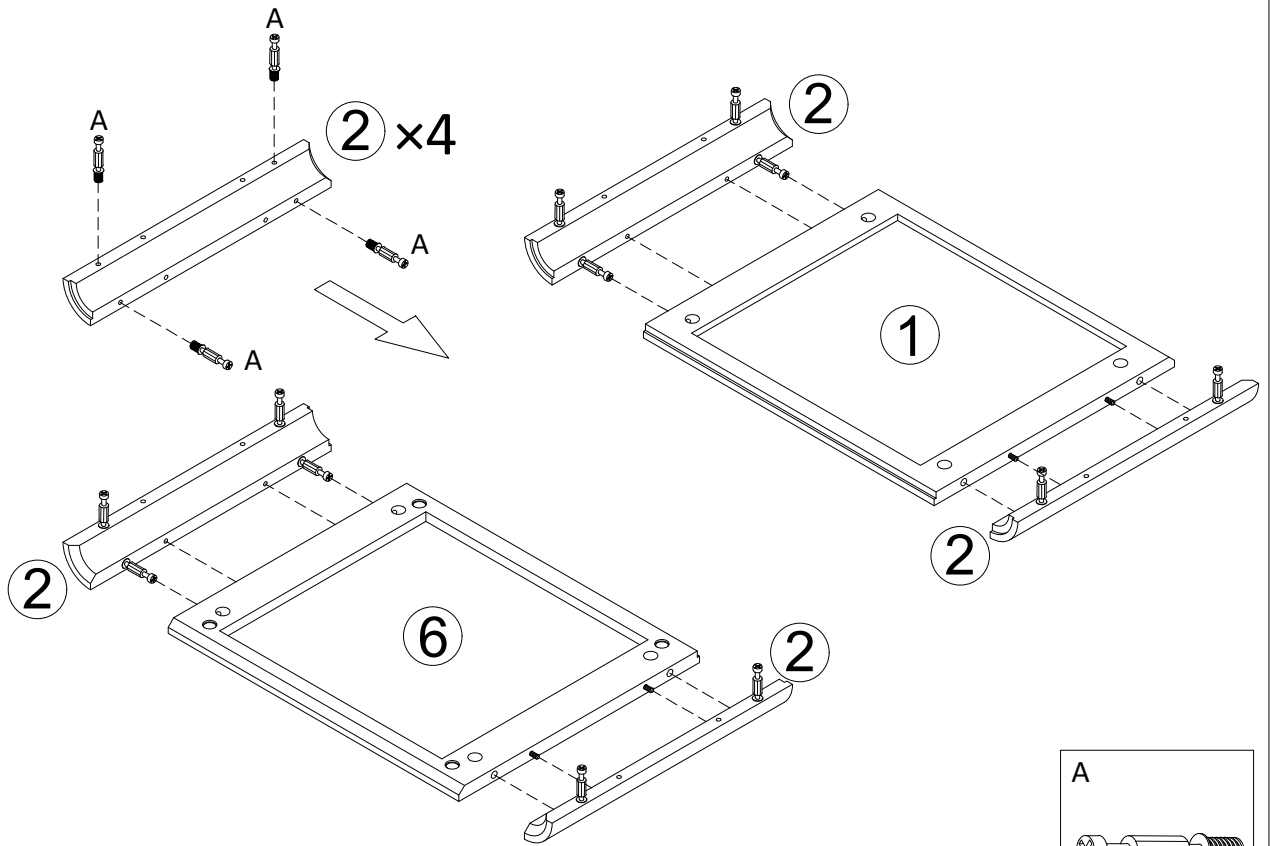
L	×4
	
M6×15L-ø15×7T	

1

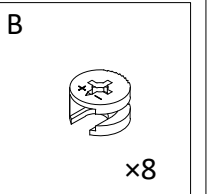
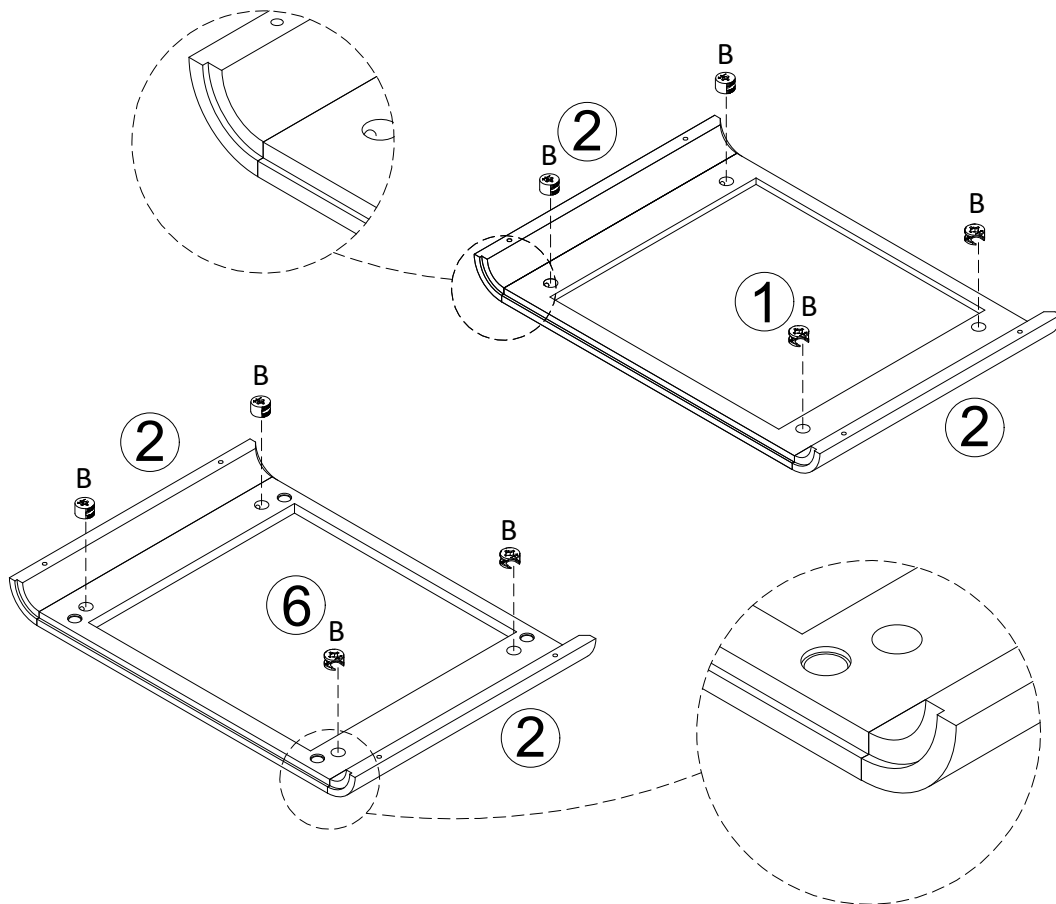


C

×8

2

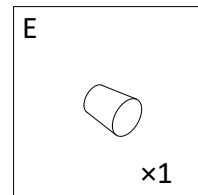
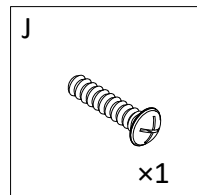
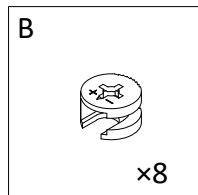
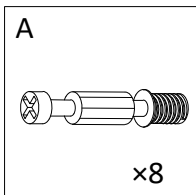
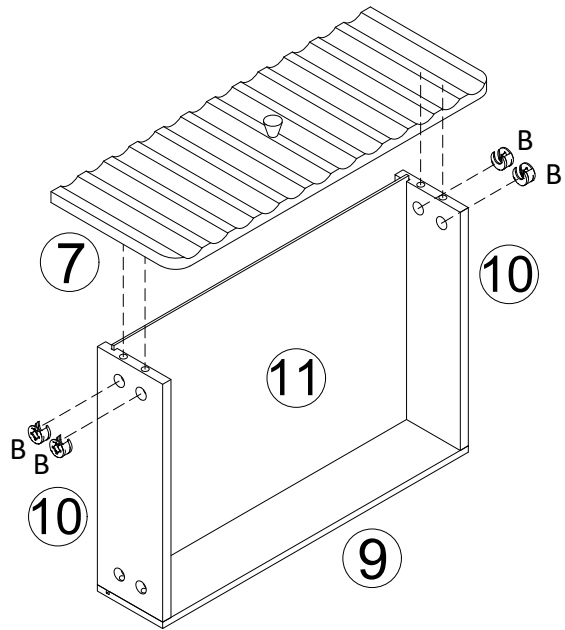
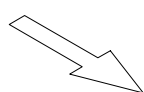
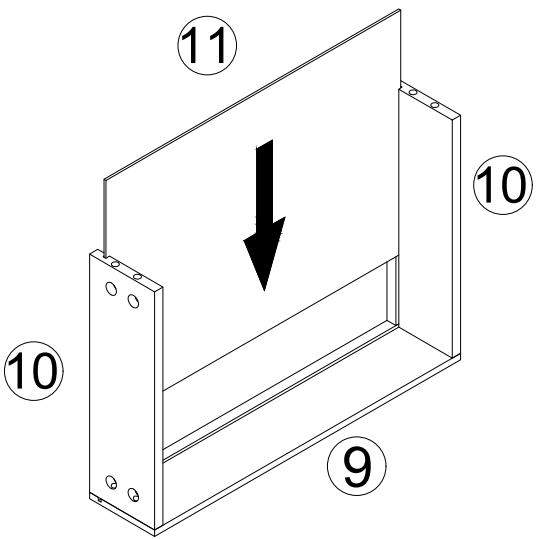
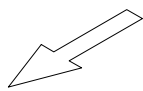
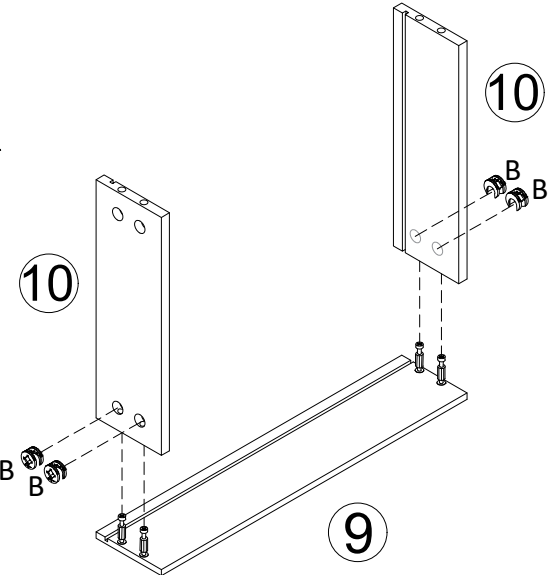
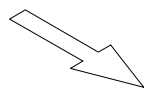
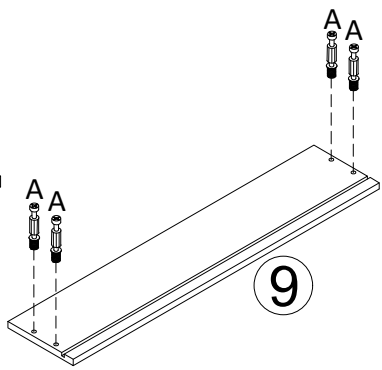
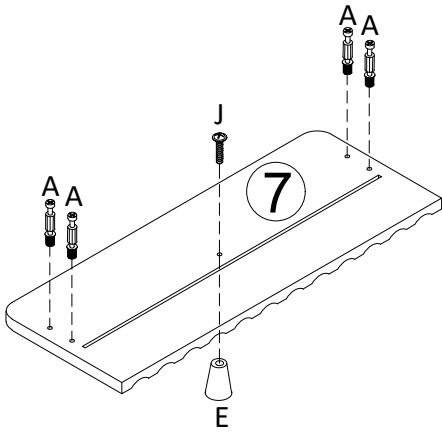


3



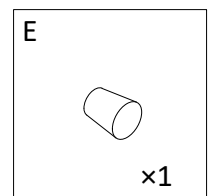
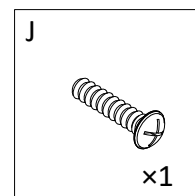
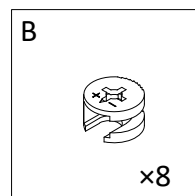
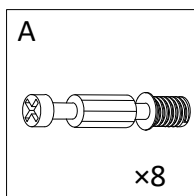
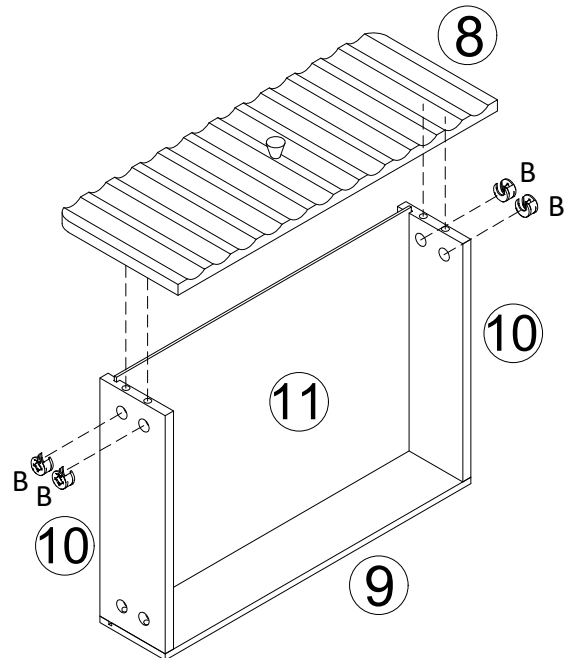
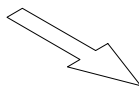
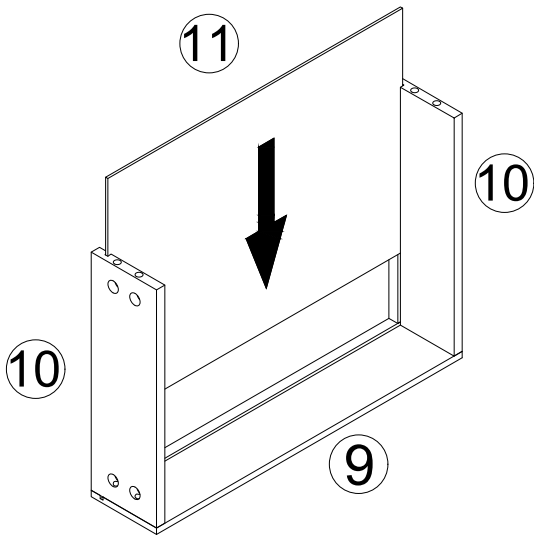
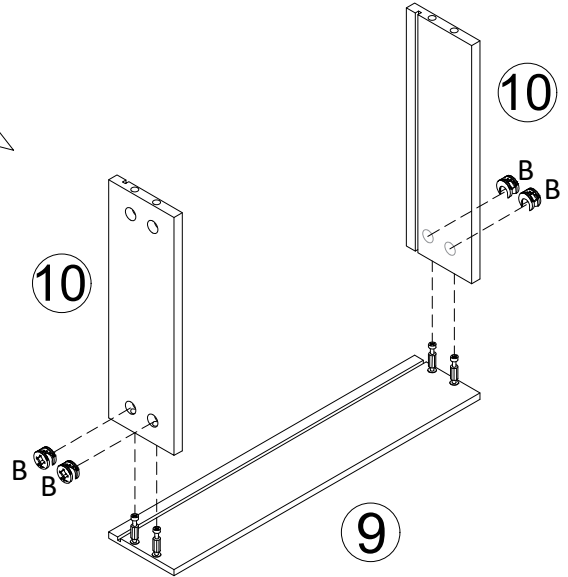
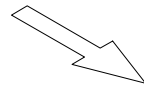
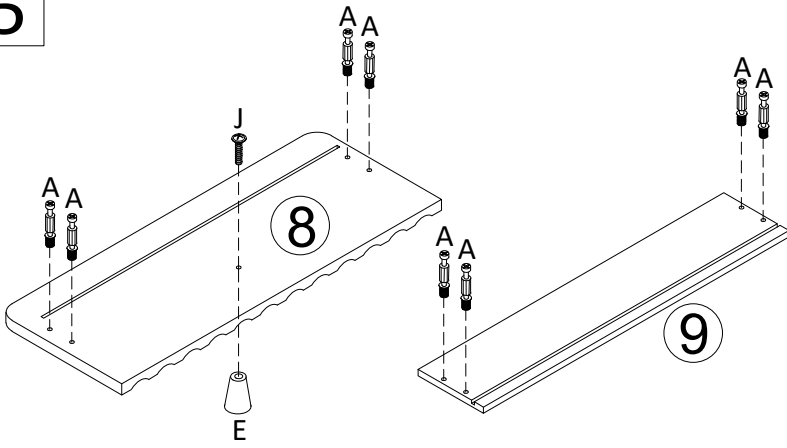
4

Turn the screws vertically from slow to fast.

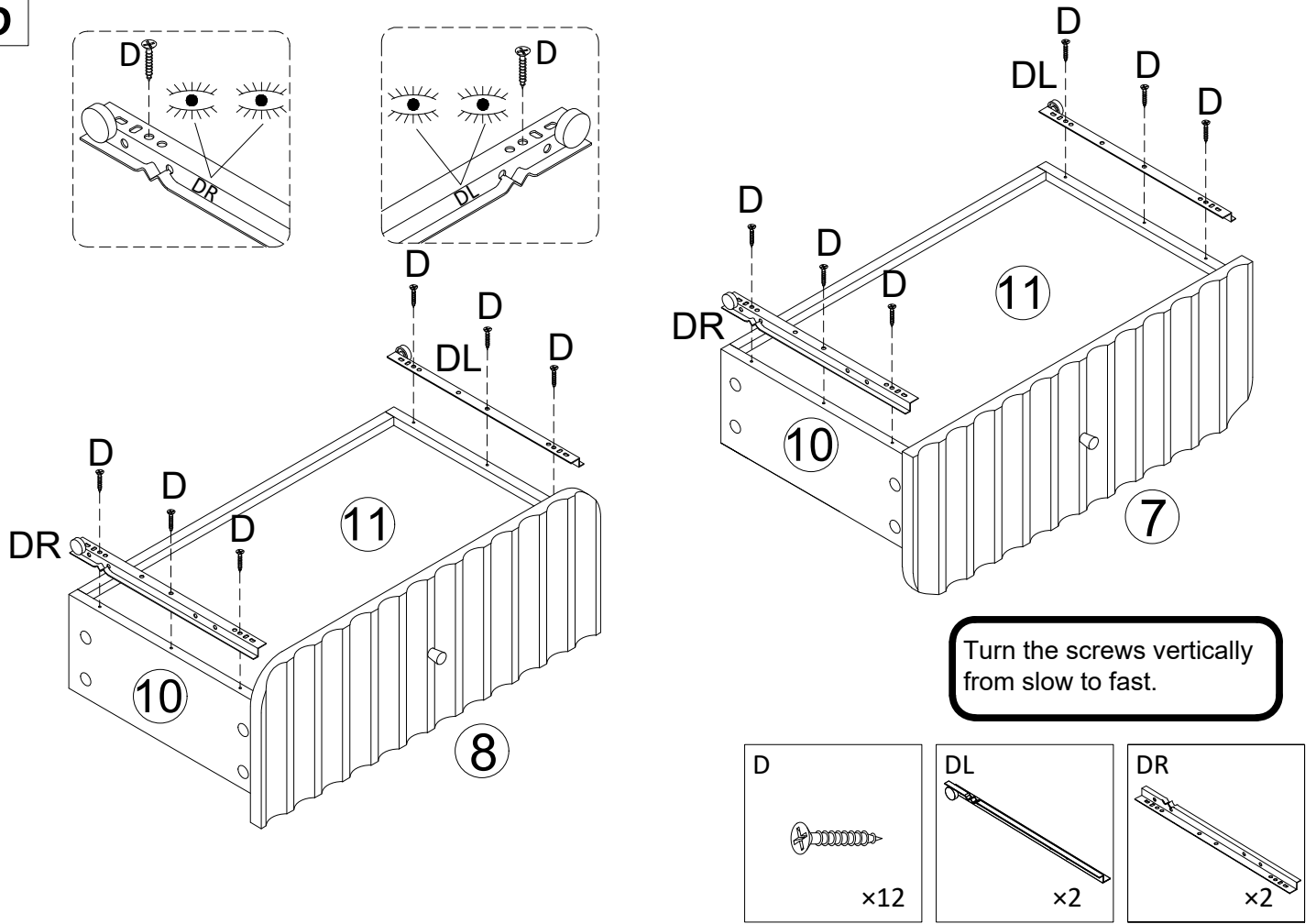


5

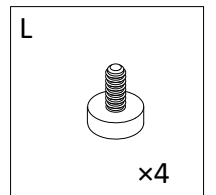
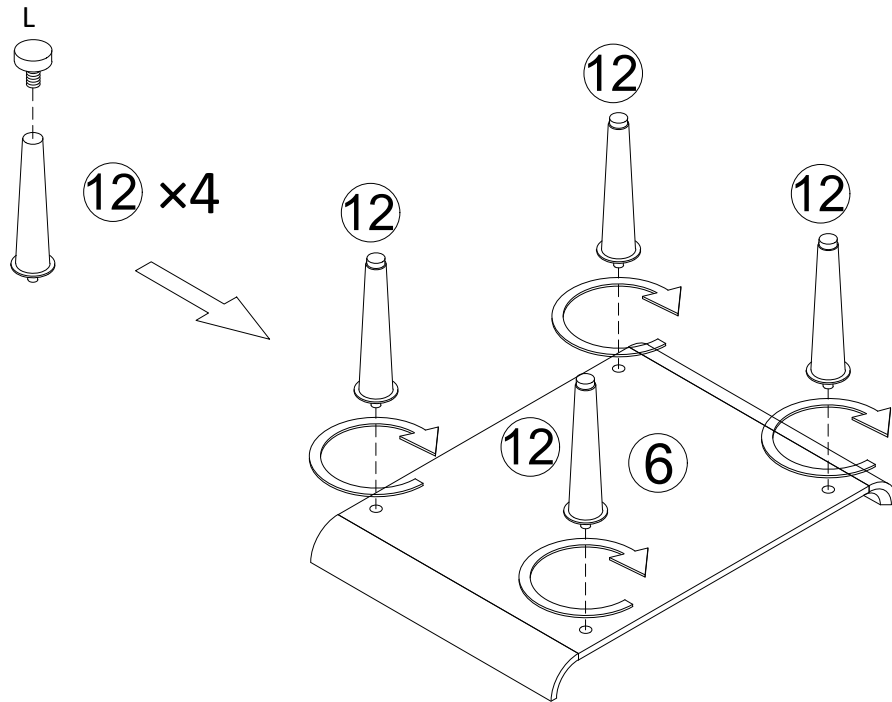
Turn the screws vertically from slow to fast.



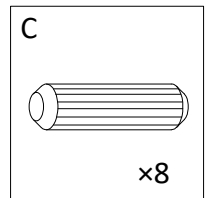
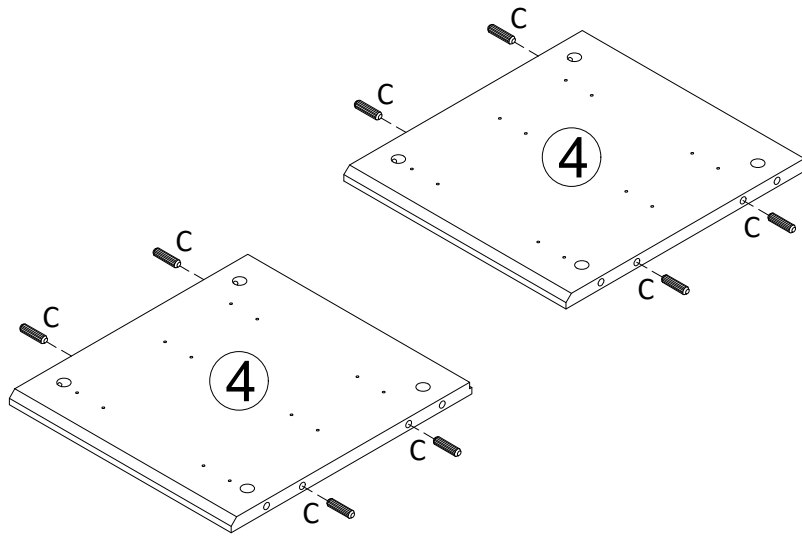
6



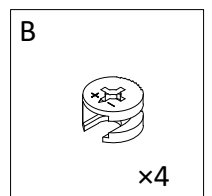
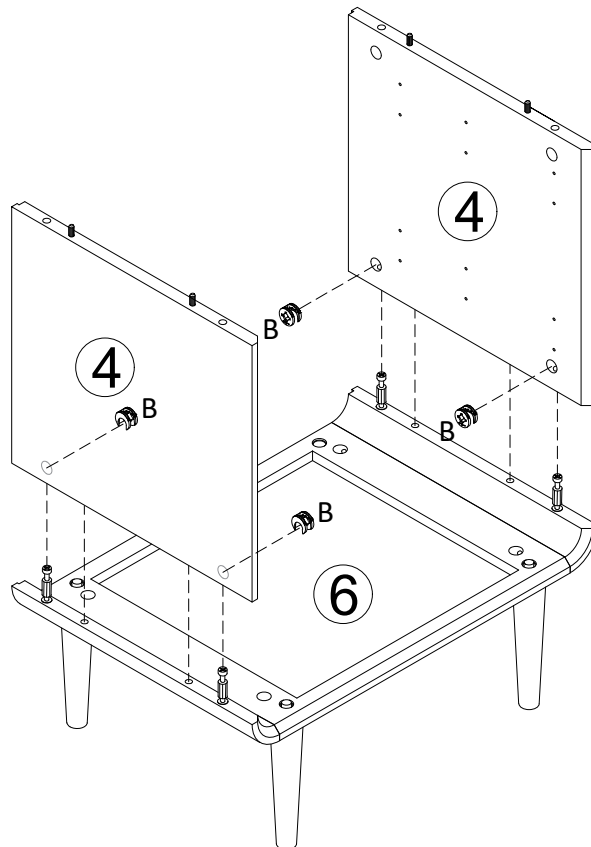
7



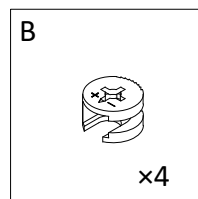
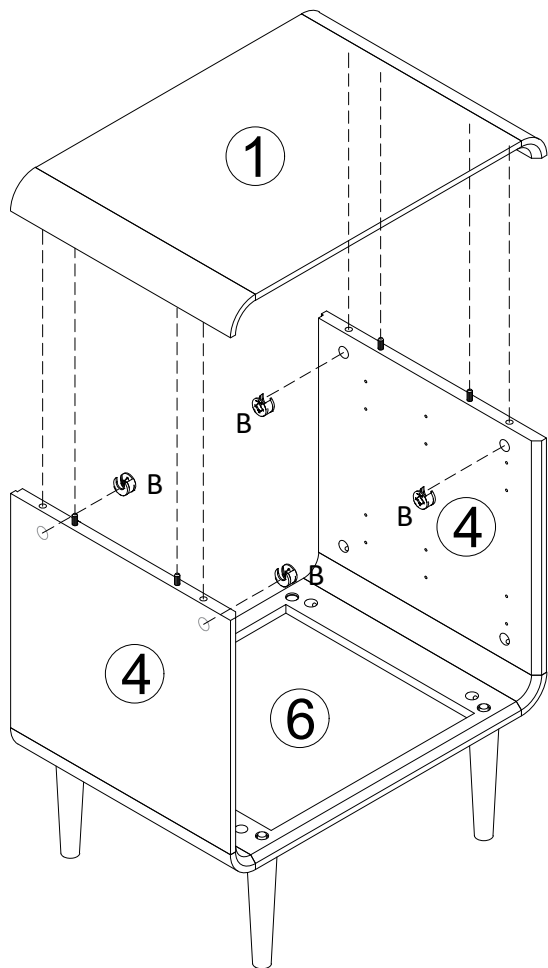
8



9

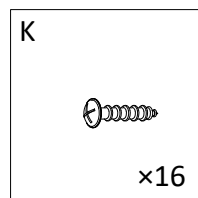
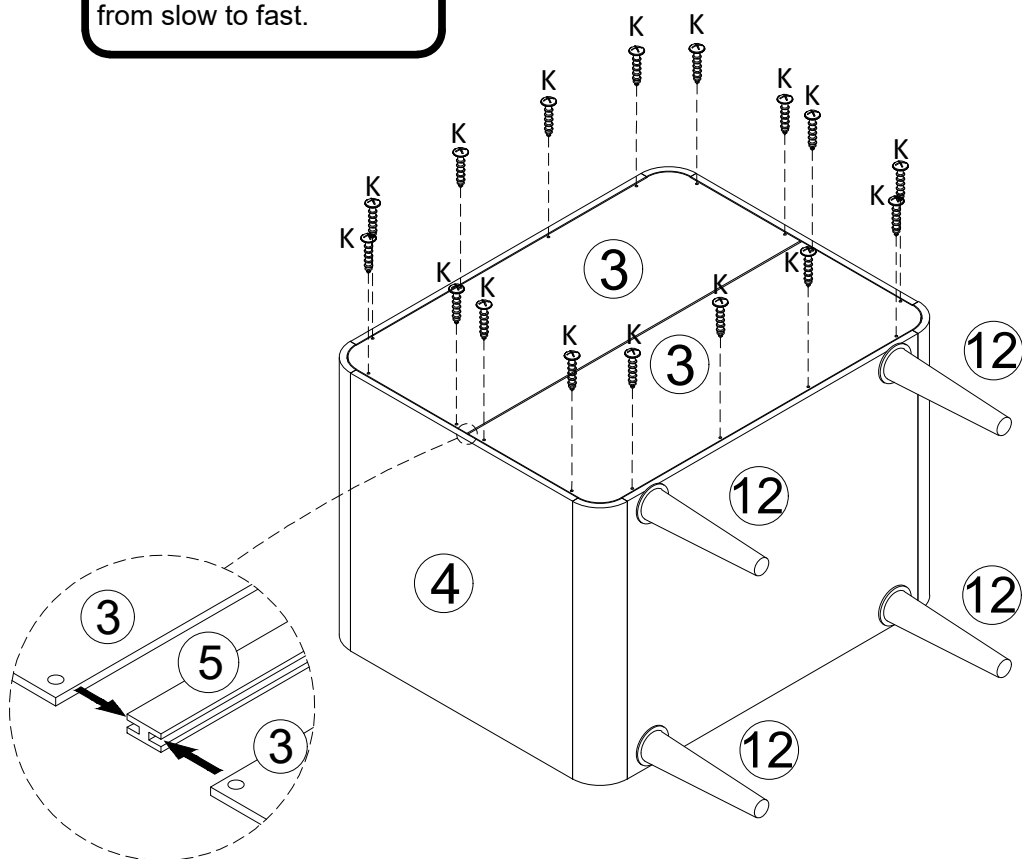


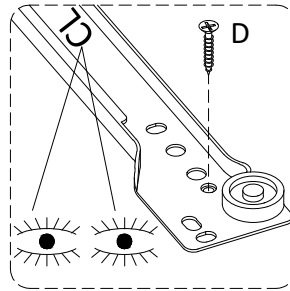
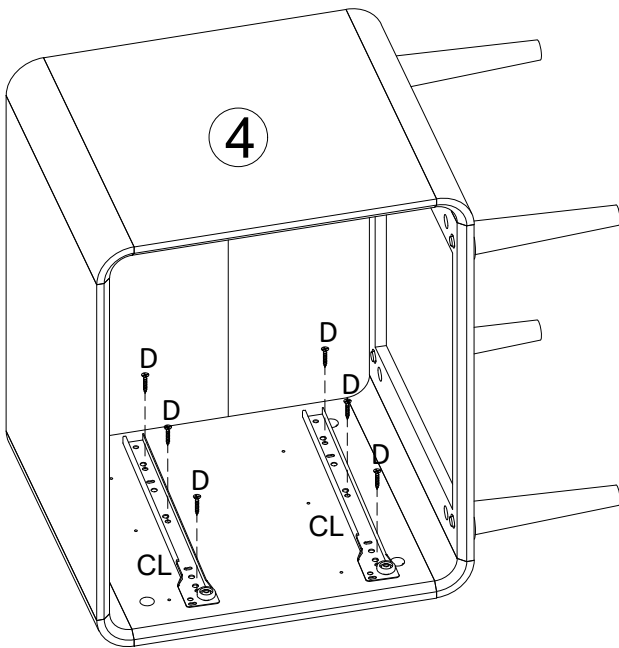
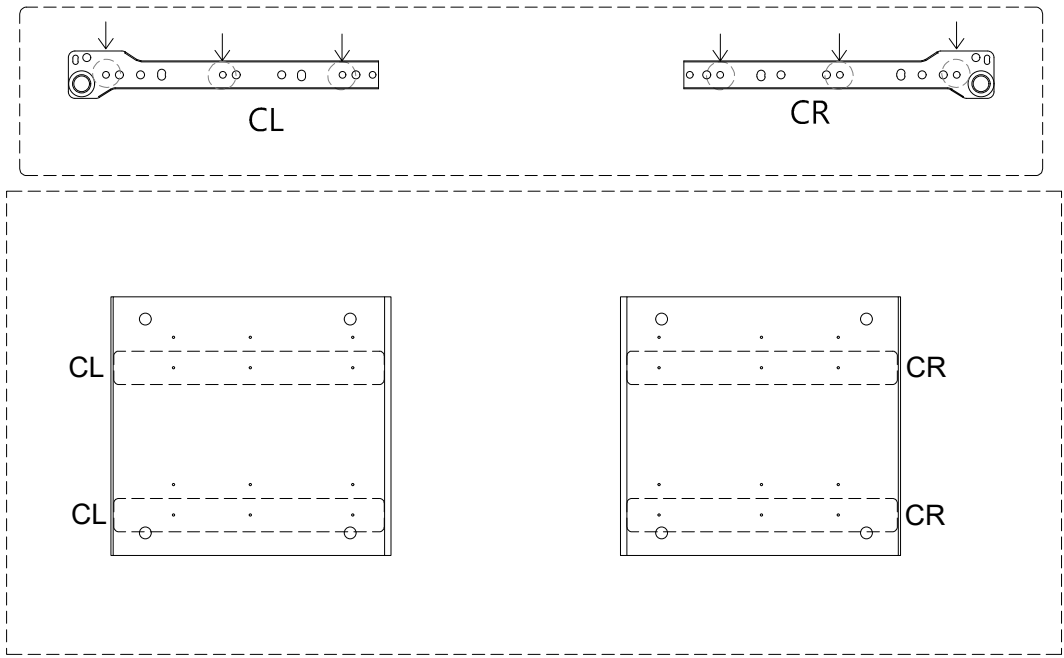
10



11

Turn the screws vertically from slow to fast.





Turn the screws vertically from slow to fast.

