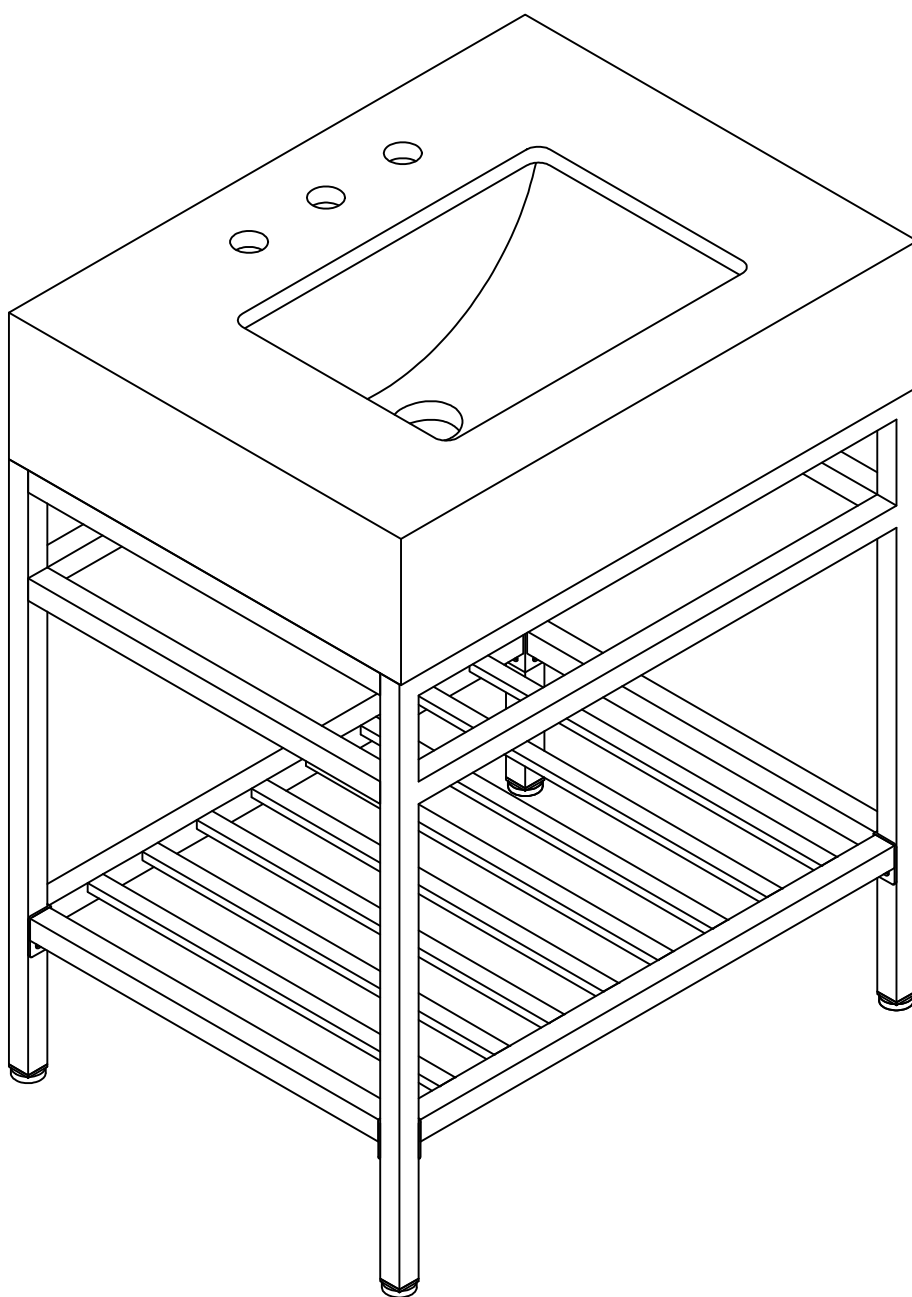

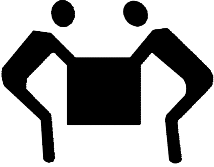

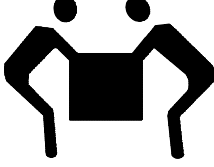

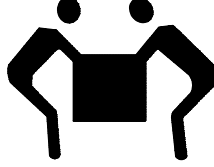


ASSEMBLY INSTRUCTIONS



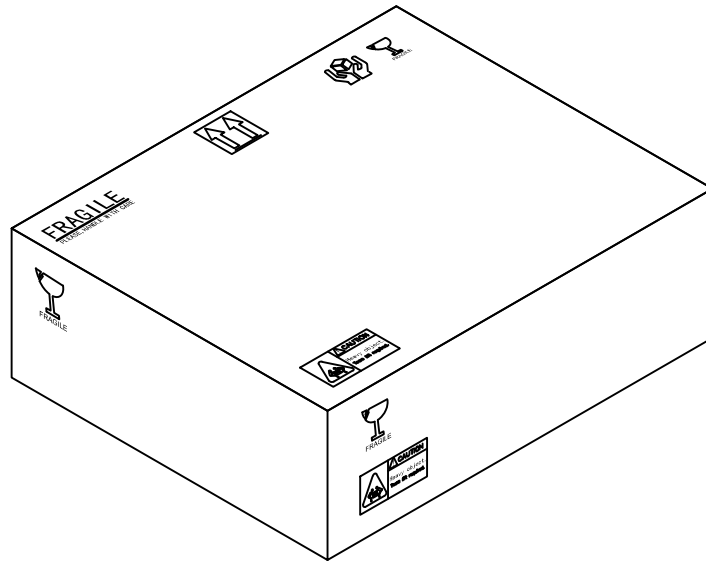
SAFETY INFORMATION	INFORMATION DE SECURITE	INFORMACION DE SEGURIDAD
 <p>Please read and understand this entire manual before attempting to assemble, operate or install the product.</p>  <p>WARNING Some steps are more easily handled with two adults.</p> <p>CAUTION</p> <ul style="list-style-type: none"> ·Before assembly and/or installation, carefully unwrap all parts. ·Locate and set aside the hardware kit before discarding packaging. ·Use care when assembling your new product. Take your time and follow the assembly instructions closely. 	 <p>Assurez-vous de lire et de comprendre l'intégralité du présent manuel avant de tenter d'assembler d'utiliser ou d'installer le produit</p>  <p>AVERTISSEMENT</p> <ul style="list-style-type: none"> ·Certaines étapes sont plus faciles à effectuer avec l'aide <p>MISE EN GARDE</p> <ul style="list-style-type: none"> ·Avant l'assemblage et/ou l'installation, vous devez déballer minutieusement toutes les pièces. ·Localisez et mettez de côté le jeu de quincaillerie avant de jeter l' emballage. ·Soyez vigilant lorsque vous assemblez le nouveau produit. Prenez votre temps et suivez attentivement ces instructions. 	 <p>Lea y comprenda completamente este manual antes de intentar ensamblar. usar o instalar el producto.</p>  <p>ADVERTENCIA</p> <ul style="list-style-type: none"> ·Algunos de los pasos se pueden realizar con mayor facilidad entre dos adultos. <p>PRECAUCION</p> <ul style="list-style-type: none"> ·Antes del ensamblaje y/o instalación, desenvuelva cuidadosamente todas las piezas. ·Localice y separe el equipo de accesorios antes de desechar el embalaje. ·Tenga cuidado al ensamblar el nuevo producto. Tómese su tiempo y siga detenidamente las instrucciones de ensamblaje.

ASSEMBLY INSTRUCTIONS

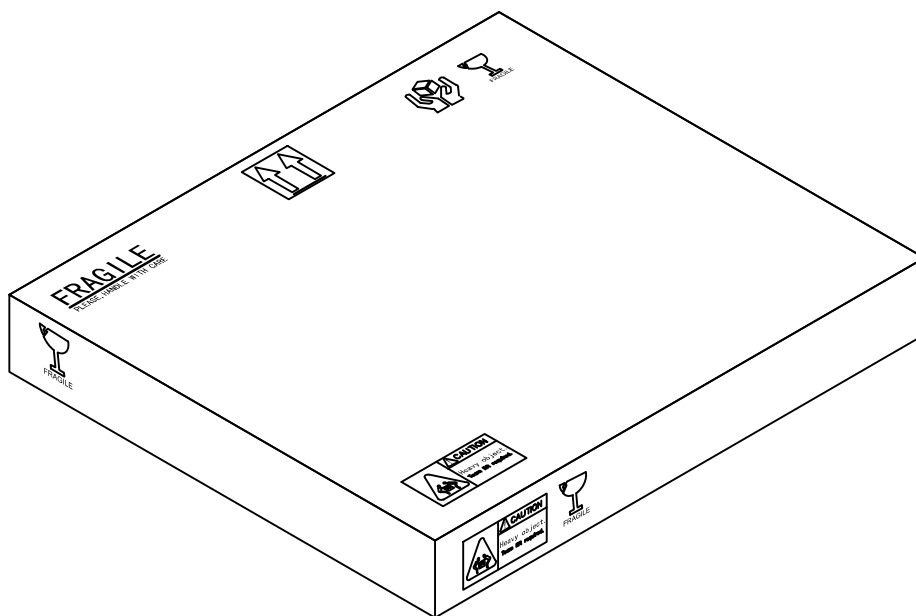
Warm Reminder

This vanity has been packed and shipped in two separate packages. There is a chance they are not arriving at the same time. Do not worry, check the parcel status via the tracking information OR contact our 24-hour customer support for inquiries.

Package 1: Vanity with Sink



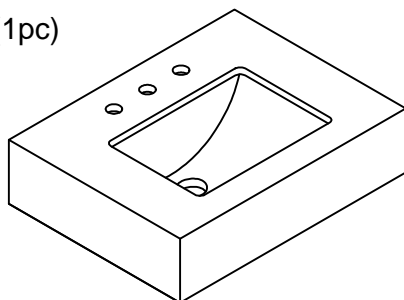
Package 2: Base (Open Shelves)



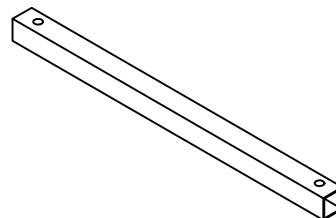
ASSEMBLY INSTRUCTIONS

Parts List:

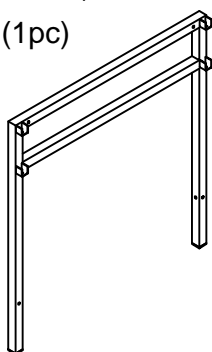
A.The sink (1pc)



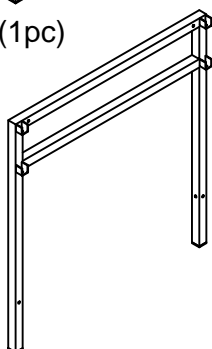
F.Middle horizontal frame (2pcs)



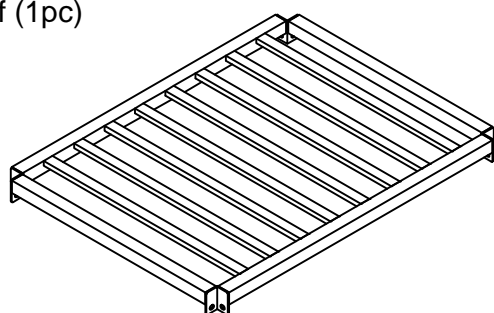
B.Front side frame (1pc)



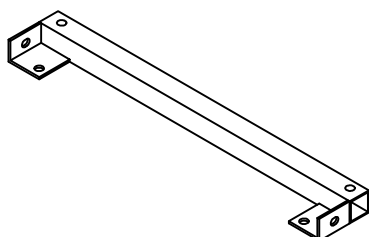
C.Back side frame (1pc)











D.Base Shelf (1pc)



E. Top horizontal frame(2pcs)

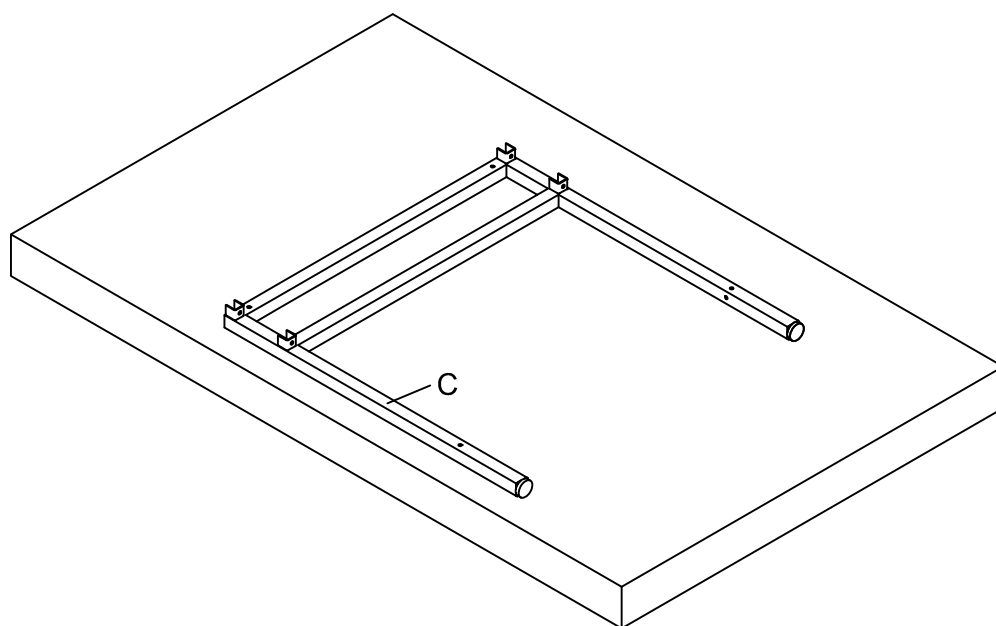


Hardware accessories

① Screw(16mm Length)		20PCS
② Spring Washier		28PCS
③ Flat Washier(Ø16mm)		20PCS
④ Flat Washier(Ø19mm)		8PCS
⑤ Allen key		1PC
⑥ Screw(32mm Length)		4PCS
⑦ Nut		4PCS
⑧ Open End Wrenth		1PC

ASSEMBLY INSTRUCTIONS

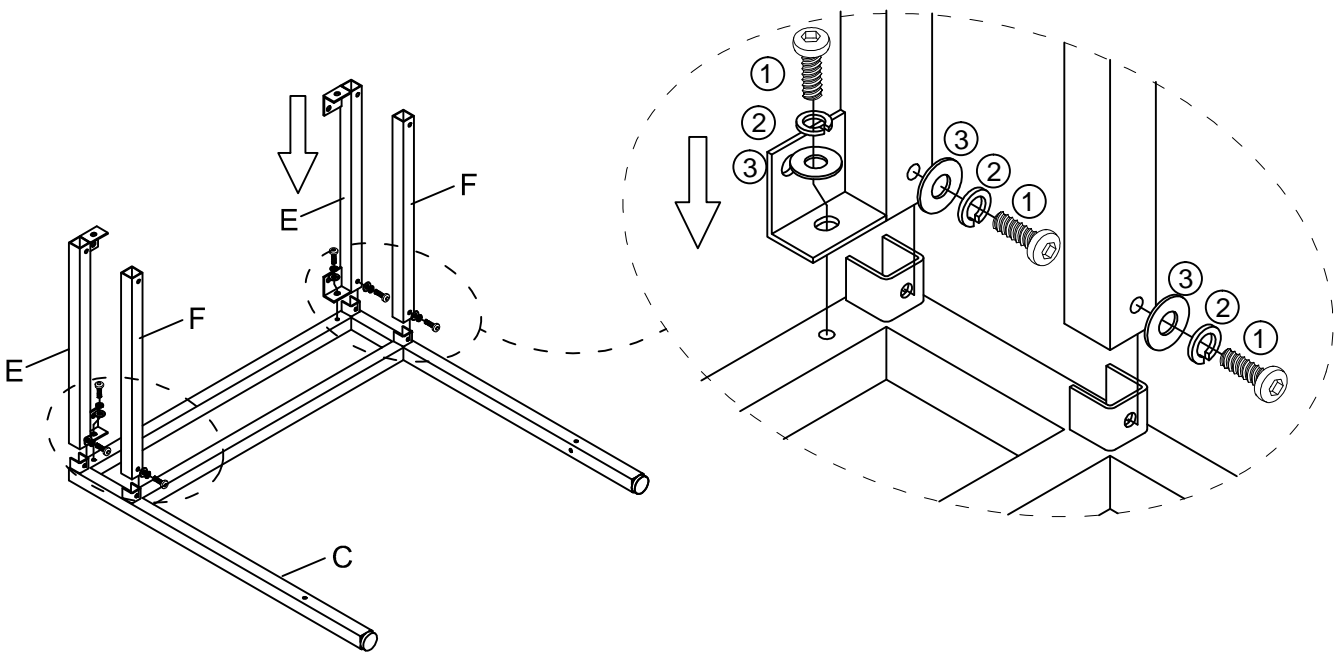
Step1



Place back side frame (C) as shown above onto foam or clean fabric sheet (prepared earlier) to prevent any scratches.

ASSEMBLY INSTRUCTIONS

Step2

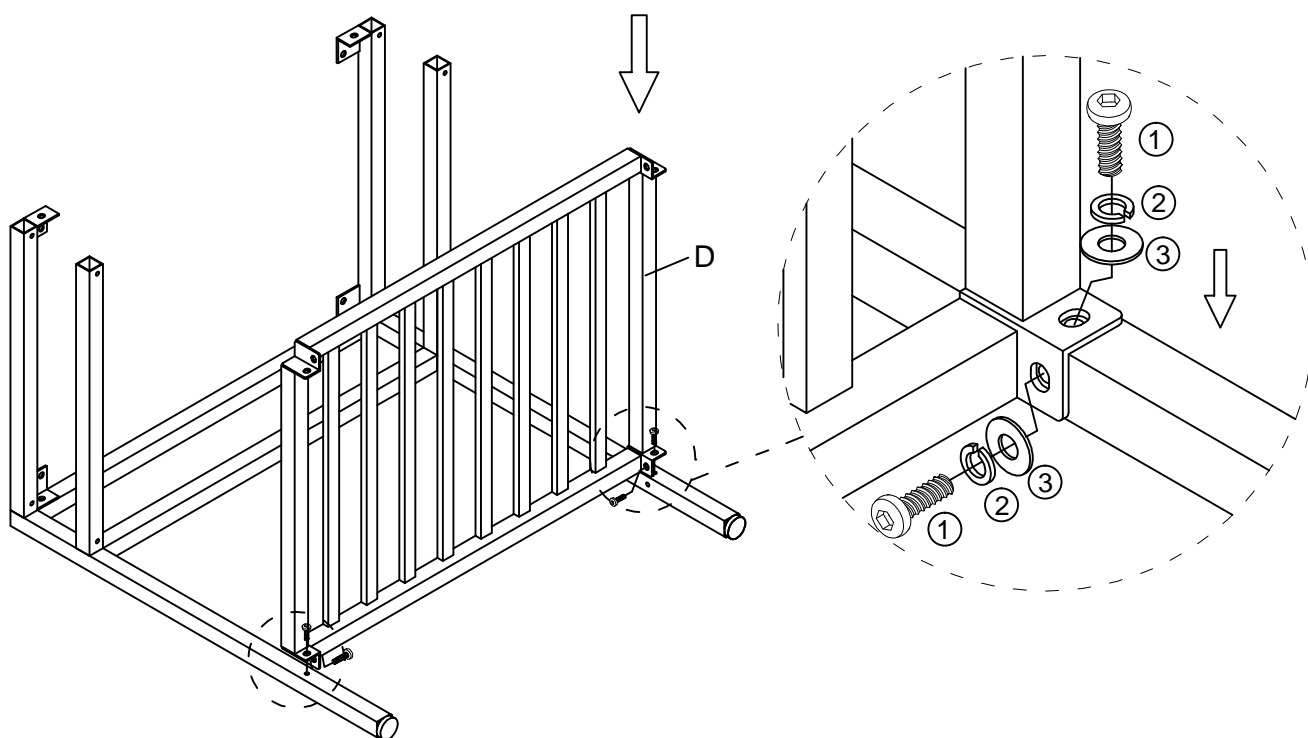


Attached 2pcs top horizontal frame (E) with 4pcs 16mm long screws ① and 4pcs spring washers ② and 4pcs Ø16mm flat washers ③ to back side frame (C) as shown above, make sure it is flushed then tighten the screws.

Attached 2pcs middle horizontal frame (F) with 2pcs 16mm long screws ① and 2pcs spring washers ② and 2pcs Ø16mm flat washers ③ to back side frame (C) as shown above, make sure it is flushed then tighten the screws.

ASSEMBLY INSTRUCTIONS

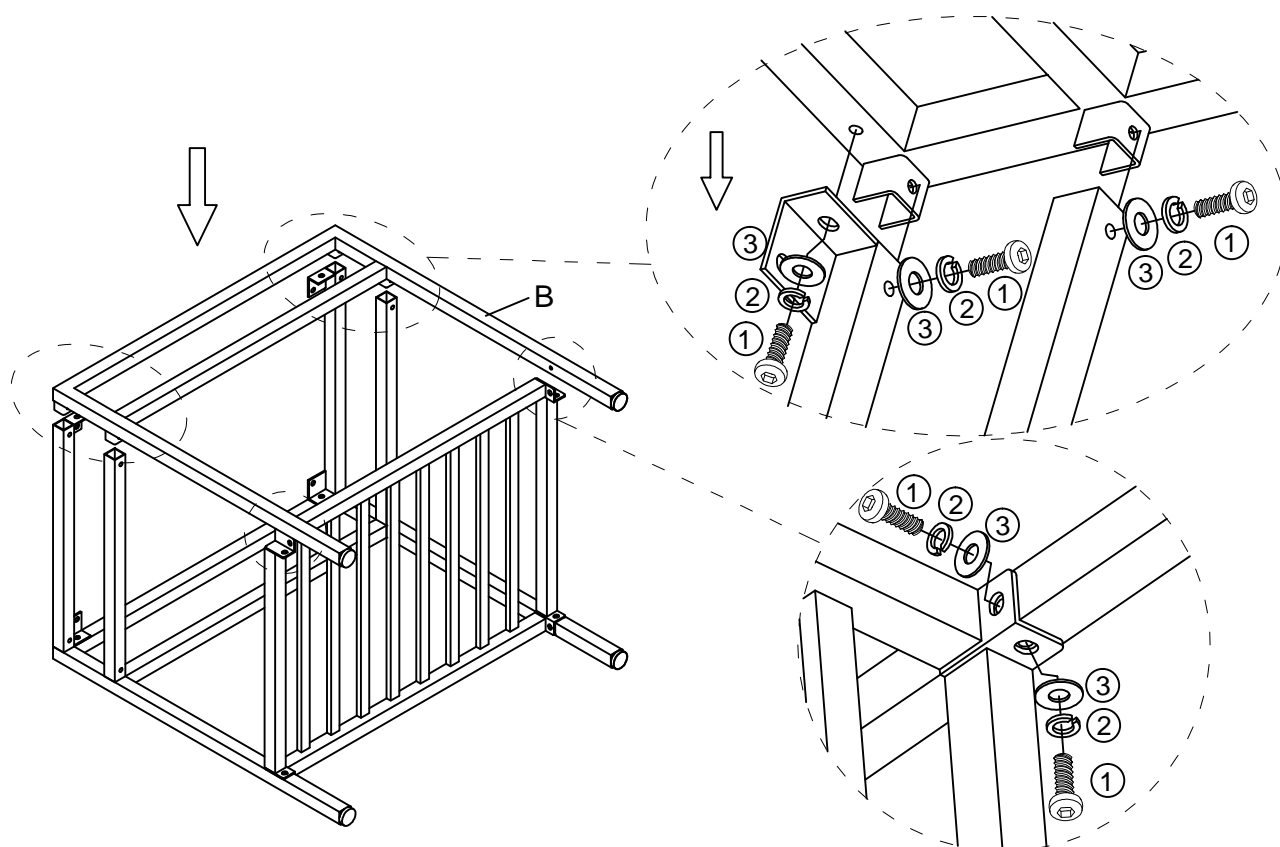
Step3



Attach 1pc base shelf frame (D) with 4pcs 16mm long screws ① and 4pcs spring washers ② and 4pcs $\text{\O}16\text{mm}$ flat washers ③ to back side frame (C) as shown above. Make sure it is flushed then tighten the screws.

ASSEMBLY INSTRUCTIONS

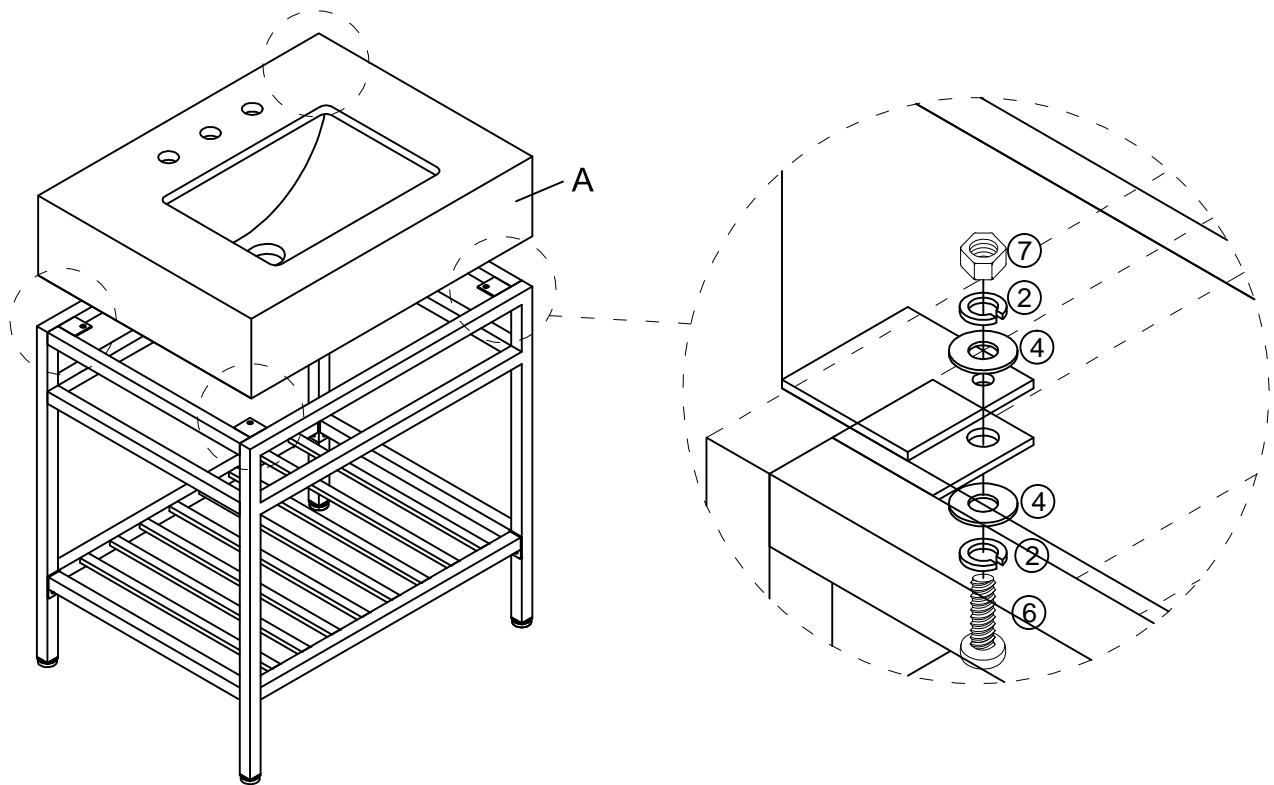
Step4



Assembly front side frame (B) to E/F/D part as shown above with 10pcs 16mm long screws ①, 10pcs spring washers ② and 10pcs Ø16mm flat washers ③. Make sure it is flushed then tighten screws.

ASSEMBLY INSTRUCTIONS

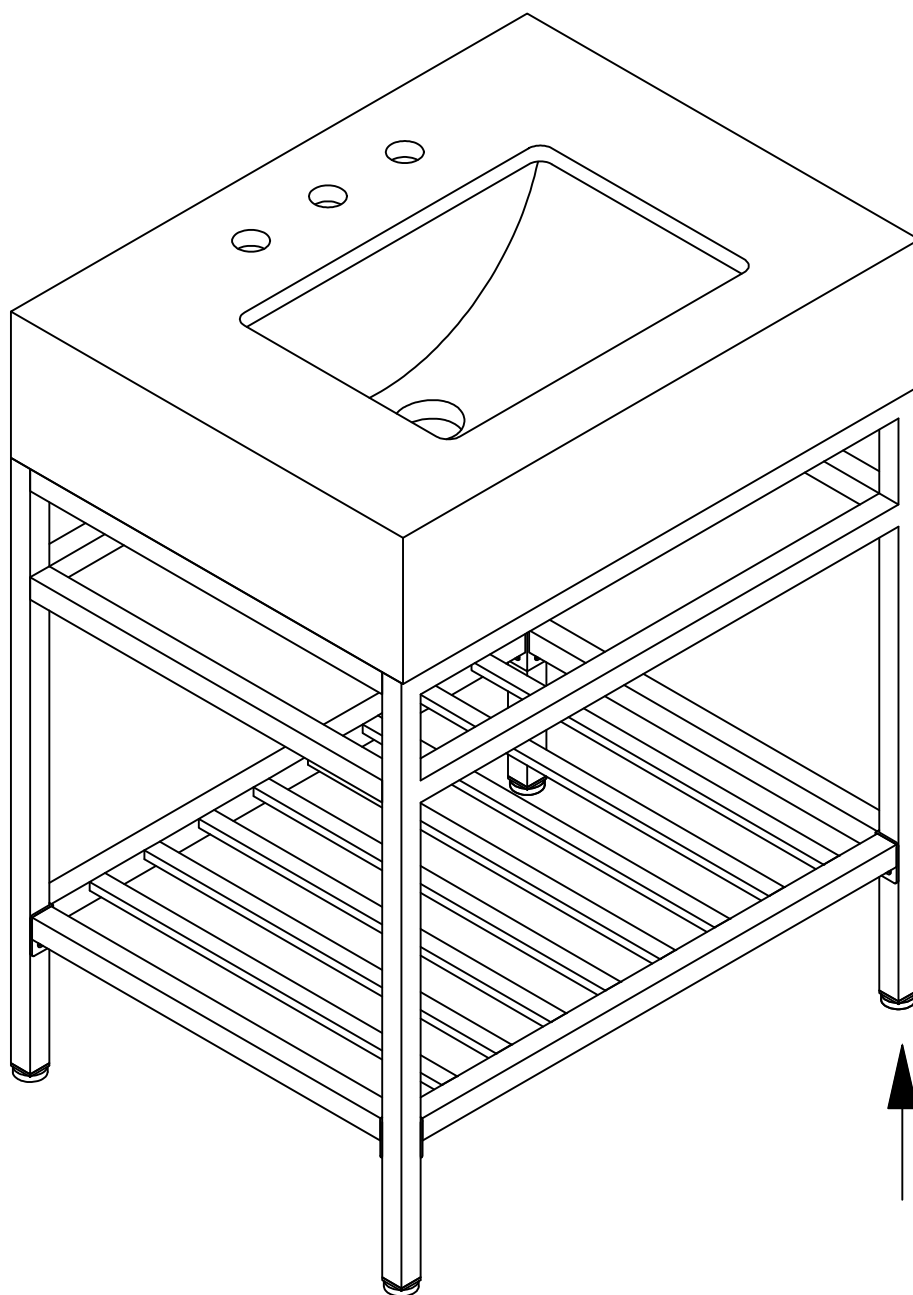
Step5



Place the top marble sink (A) attach to assembled part (B/C/D/E/F) with 4pcs 32mm long screws (6), and 8pcs spring washers (2) and 8pcs \varnothing 19mm flat washers (4) as above illustration. Make sure it is flushed, then use open end wrench (8) to tighten nuts (7).

ASSEMBLY INSTRUCTIONS

Step 6



Adjust all parts and fasten all screws and nuts tightly. Adjust the leveler assembled on the base to make sure all legs on the floor. Then put the product to the desired place.