

Single Door Set for Medium Duty Doors

Top Line Grant SD

up to 150 lbs/door (68 kg/door)

for door thickness 1" (25.4 mm) minimum, top mount, adjustable

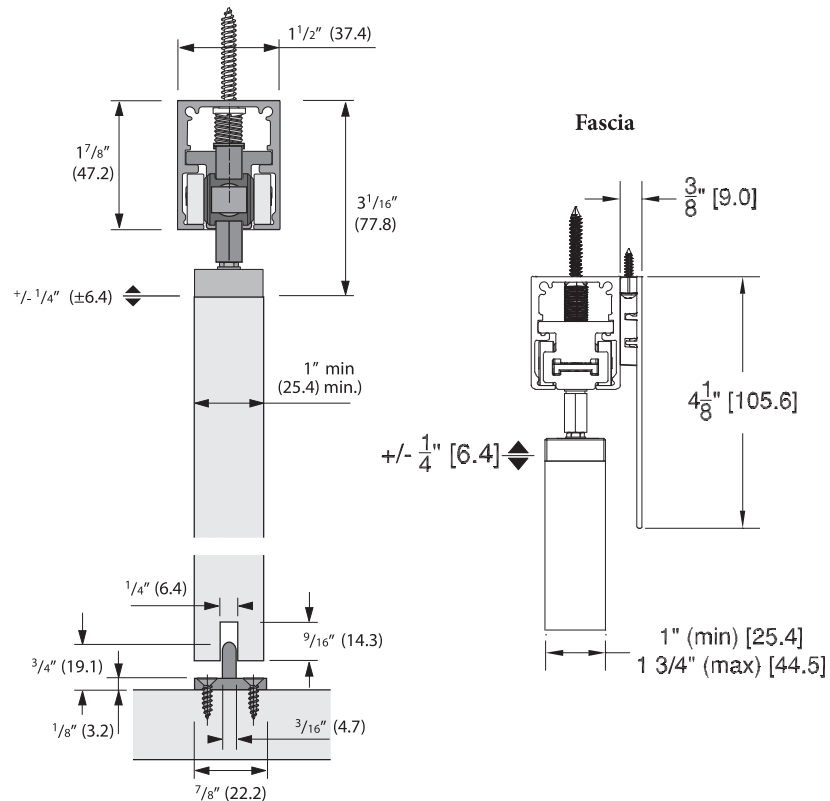
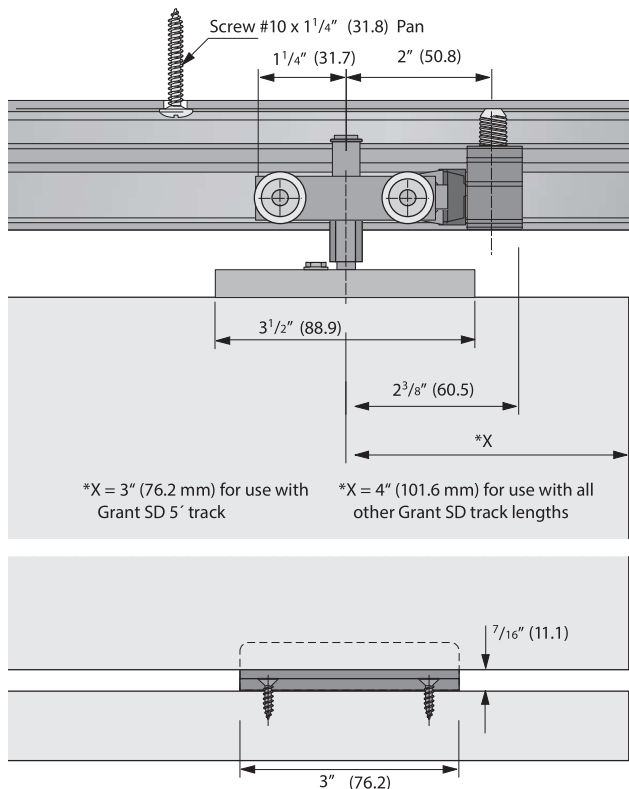
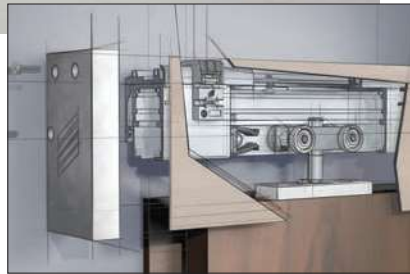
Top Line Grant SD

The Top Line Grant SD Series is a medium duty commercial and residential grade sliding door hardware series ideal for single and bi-parting installations. Applications include doors between rooms, closet doors, cabinets, and storage walls.

- Precision ball bearing wheels ensure a smooth, quiet, and long lasting performance
- Self-leveling design allows for even distribution of load for maximum performance and durability
- 1/2" vertical adjustment; minimal headroom required
- Aluminum box track
- Cushioned end stop holds door in place
- Wall mount bracket available
- Fascia available
- Meets and/or exceeds ANSI/BHMA standards

Although designed for single doors, by-passing doors can be accommodated by mounting parallel tracks. By using one additional set of hardware, bi-parting installations can be achieved.

The track is available in lengths up to 16 feet (4876 mm).



Technical specifications are subject to change without notice