

INSTRUCTION MANUAL

Raised Garden bed
size: 37.5"x12.5"x31.5"

ⓘ NOTICE

Please retain these instructions for future reference.

- Do not stand on or use any part of this item as a step ladder.
- Firmly secure all bolts and screws before use.
- Do not use or store this item in the proximity of open flame or flammable/combustible chemicals.
- Be aware that some parts are heavy and have sharp edges.
- If any parts are missing, broken, damaged, or worn, stop using this product until repairs are made and/or replacement parts are installed.
- Ensure your product is sited on level and hard ground. Failure to do this may put additional stress on connections and joints and in time could cause them to fail.

TOOLS REQUIRED



PHILLIPS
SCREW DRIVER
(provided)



WRENCH
(provided)



DRILL



2 PERSON
ASSEMBLY



UP TO 45 MIN.

HARDWARE

1

Bolt



26+2PCS

2

Nut

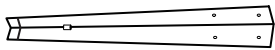


26+2PCS

PARTS

A

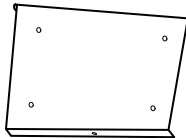
Feet



4PCS

B

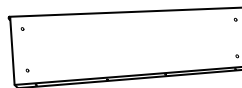
Short Panel



2PCS

C

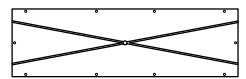
Long Panel



2PCS

D

Bottom Panel



1PC

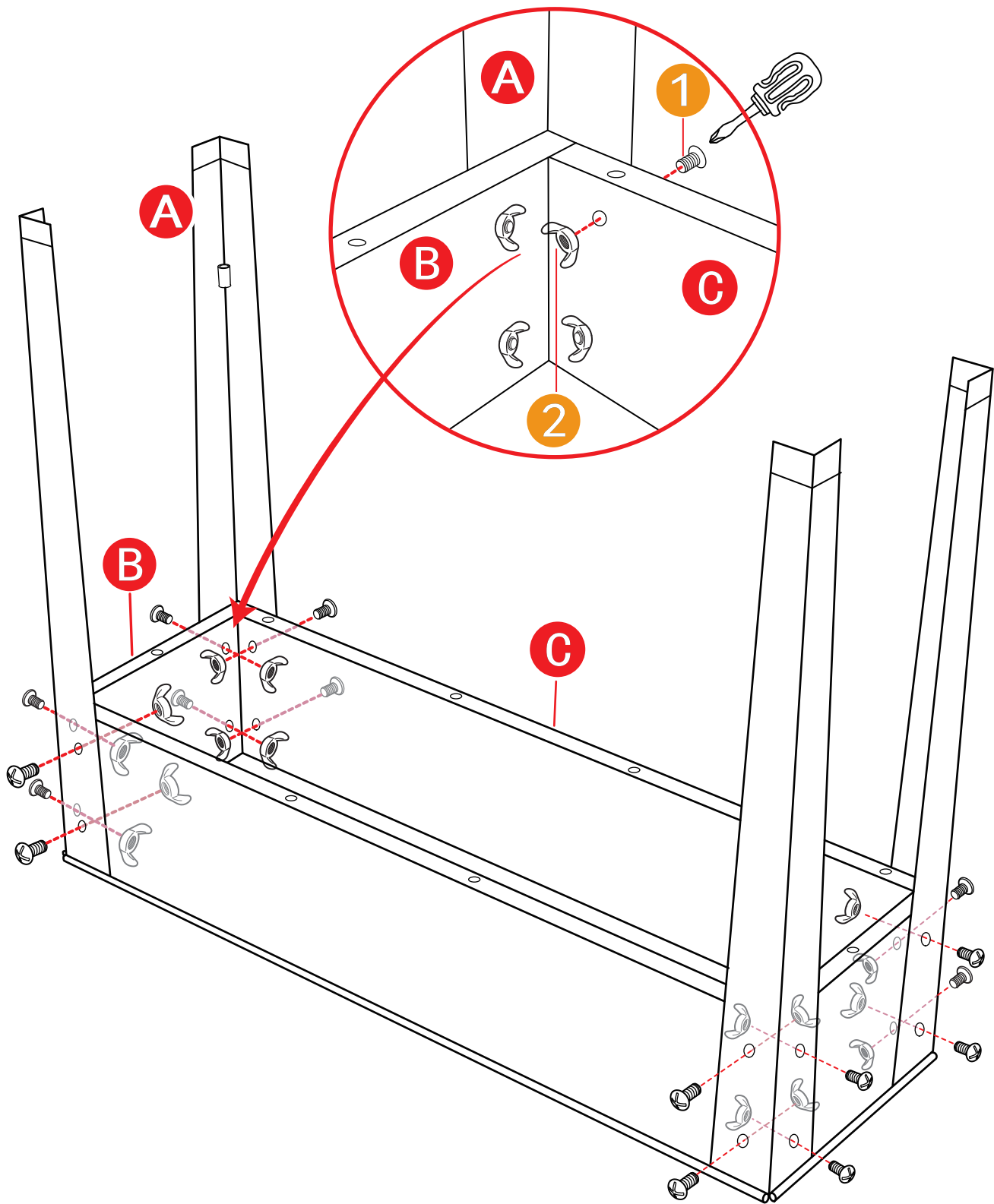
E

Shelf

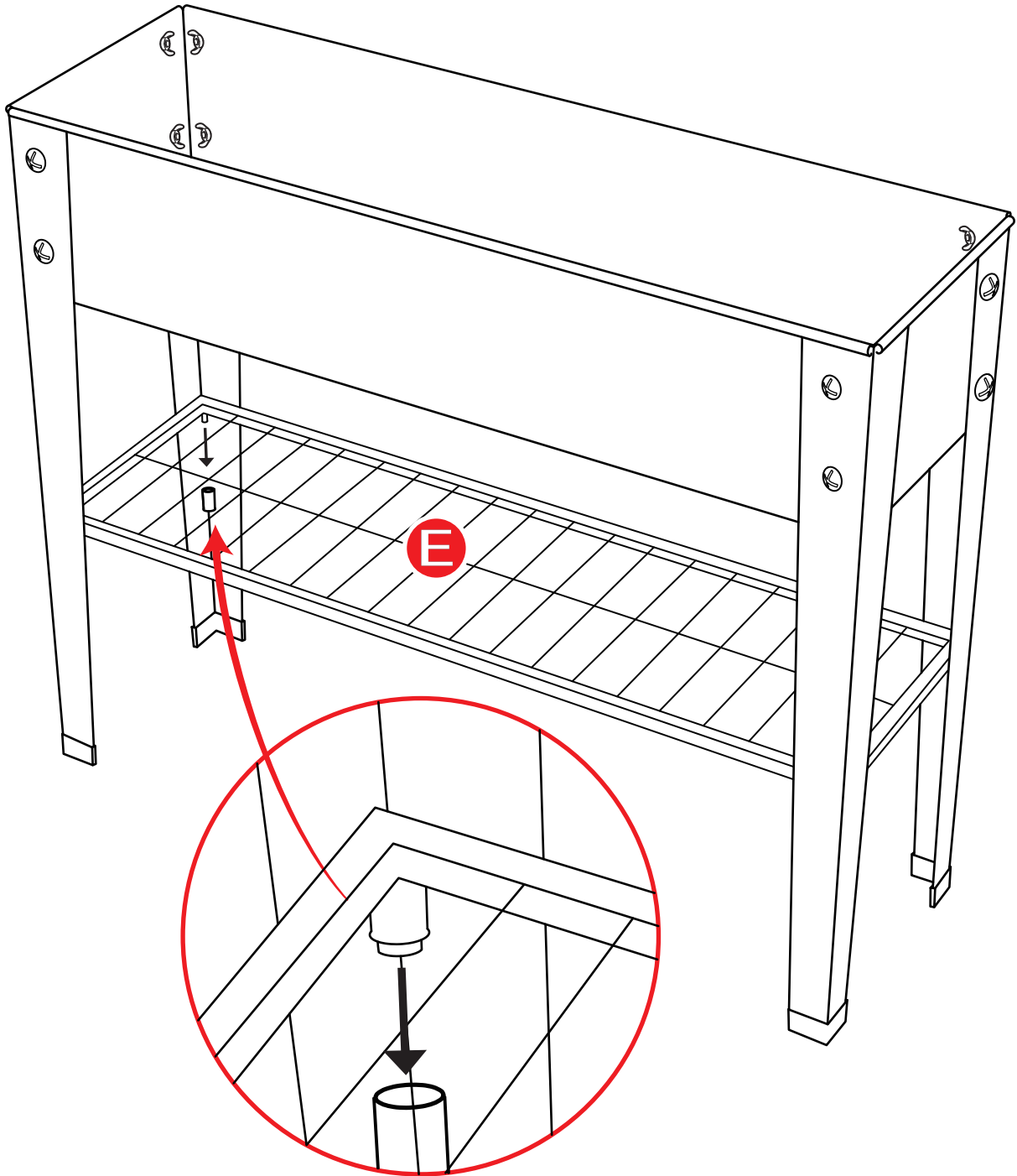


1PC

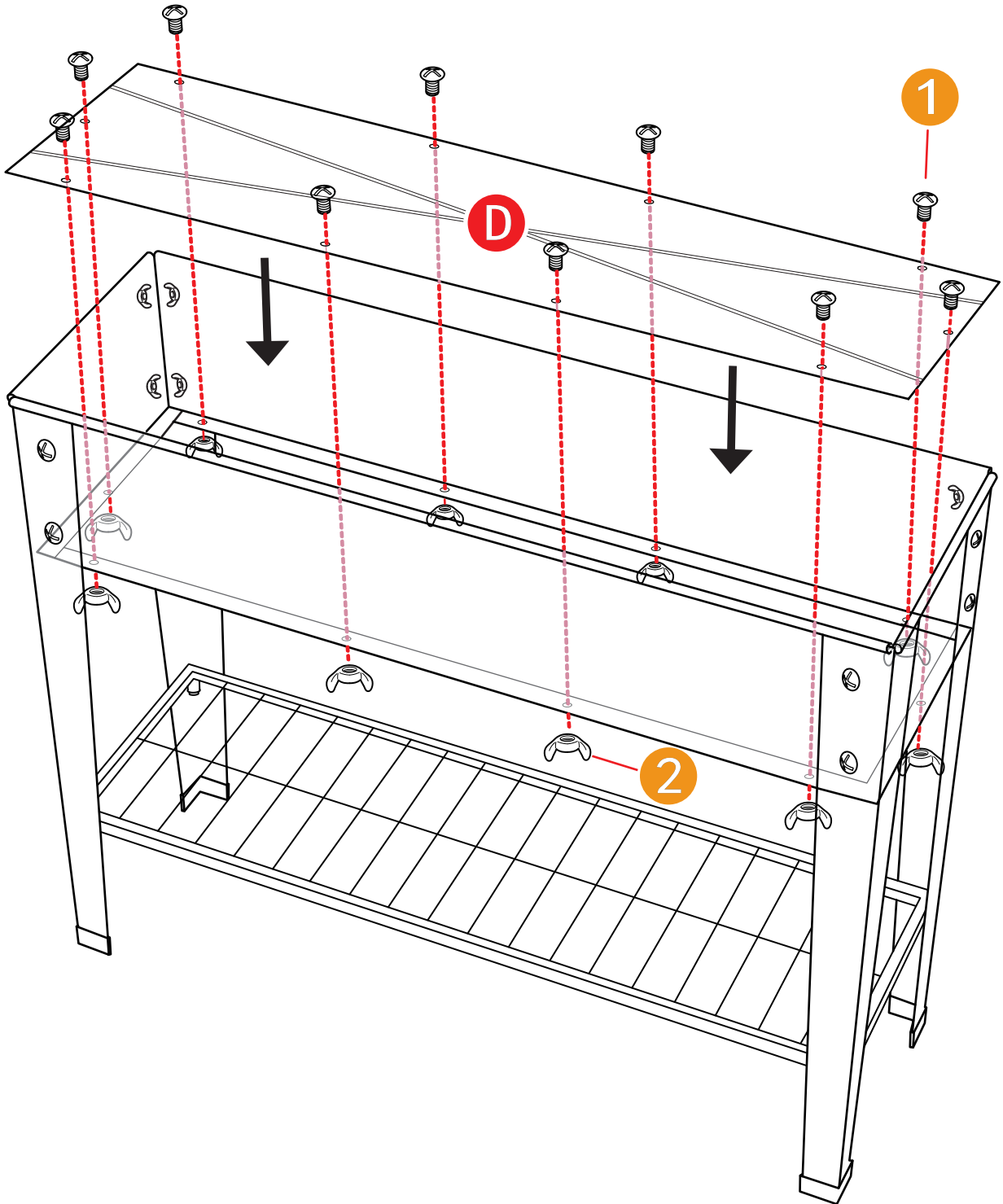
step 1 Connect four Feet A to short panels B and long panels C



step 2 Put Shelf E into Feet A



step 3 Put Bottom Layer D in it and tighten bolts



step 4 Tighten all the bolts

