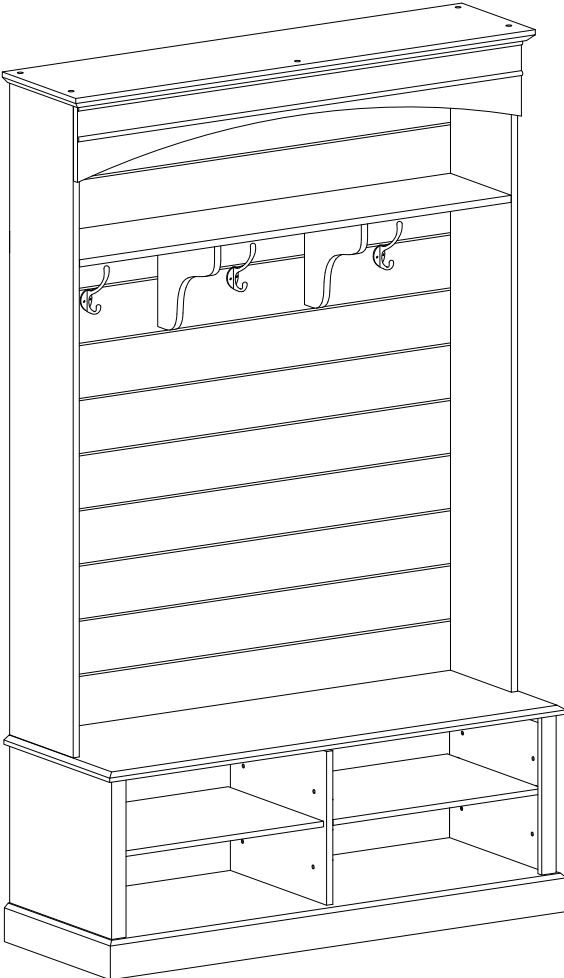
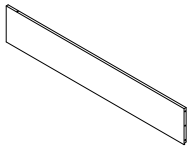
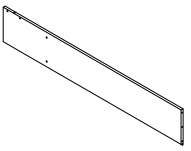
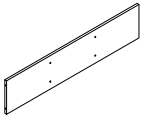
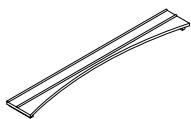
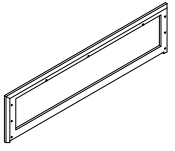
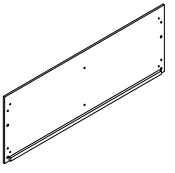
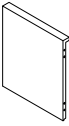
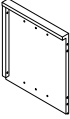
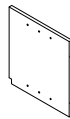
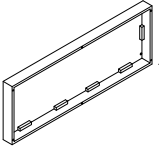
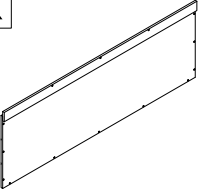
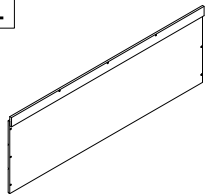
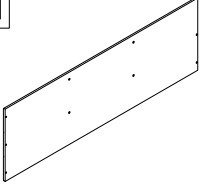
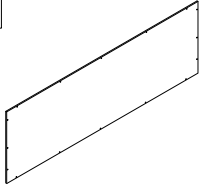
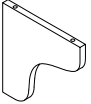
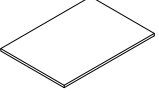


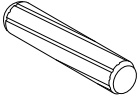
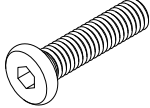


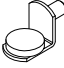

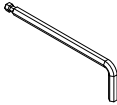

Hall Tree



PART LIST

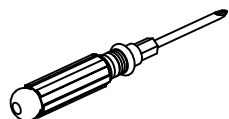
<p>A</p> 	<p>B</p> 	<p>C</p> 	<p>D</p> 	<p>E</p> 
<p>Upper Left Panel 1 PC</p>	<p>Upper Right Panel 1 PC</p>	<p>Fixed Shelf 1 PC</p>	<p>Front Panel 1 PC</p>	<p>Top Panel 1 PC</p>
<p>F</p> 	<p>G</p> 	<p>H</p> 	<p>I</p> 	<p>J</p> 
<p>Seat Panel 1 PC</p>	<p>Lower Left Panel 1 PC</p>	<p>Lower Right Panel 1 PC</p>	<p>Partition Panel 1 PC</p>	<p>Bottom Panel 1 PC</p>
<p>K</p> 	<p>L</p> 	<p>M</p> 	<p>N</p> 	<p>O</p> 
<p>Upper/Lower Back Panel 2 PCS</p>	<p>Middle Lower Back Panel 1 PC</p>	<p>Middle Upper Back Panel 1 PC</p>	<p>Lower Back Panel 1 PC</p>	<p>Support Panel 2 PCS</p>
<p>P</p>  <p>Adjustable Shelf 2 PCS</p>				

HARDWARE LIST

<p>#1</p>  <p>Ø8x30mm</p>	<p>#2</p>  <p>Ø6x25mm</p>	<p>#3</p>  <p>Ø3x12mm</p>	<p>#4</p>  <p>Ø3x16mm</p>	<p>#5</p> 
<p>Wood Dowel 28 PCS (Extra 2)</p>	<p>Bolt 25 PCS (Extra 2)</p>	<p>Short Screw 6 PCS (Extra 1)</p>	<p>Round Head Screw 59 PCS (Extra 4)</p>	<p>Shelf Holder 8 PCS (Extra1)</p>
<p>#6</p> 	<p>#7</p> 	<p>#8</p> 		
<p>Hook 3 PCS</p>	<p>Allen Wrench 1 PC</p>	<p>Safety Strap Kit 1 SET</p>		

ADDITIONAL TOOLS (Not Provided)

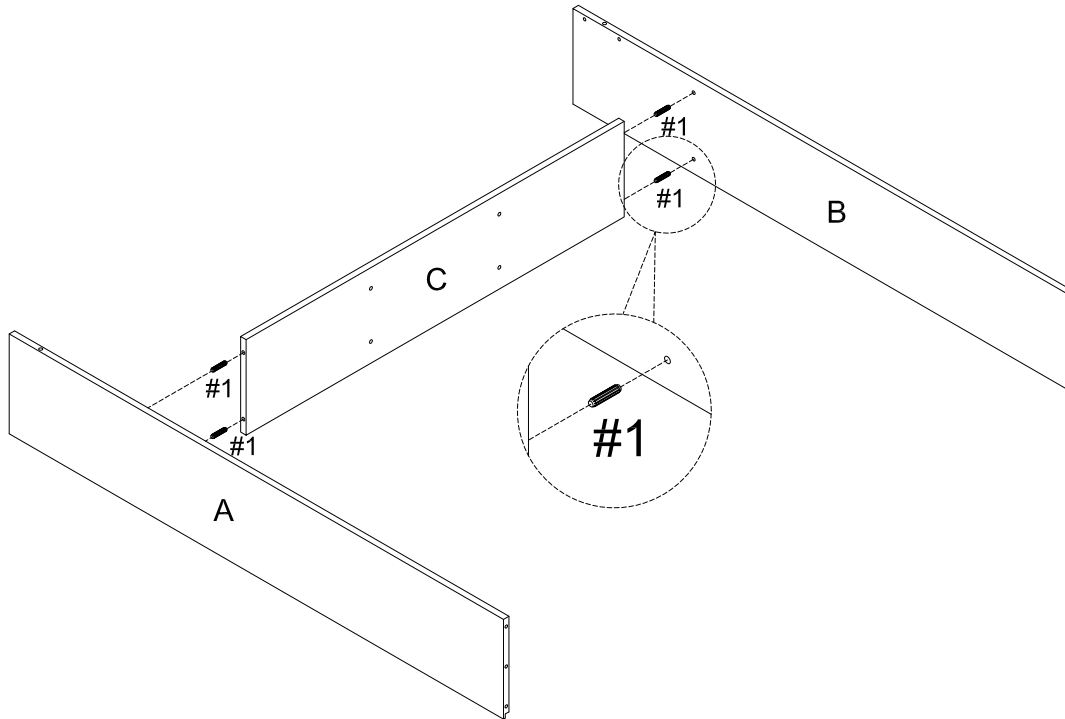
Note: It is not recommended to use power tools during assembly.




Phillips Head Screwdriver

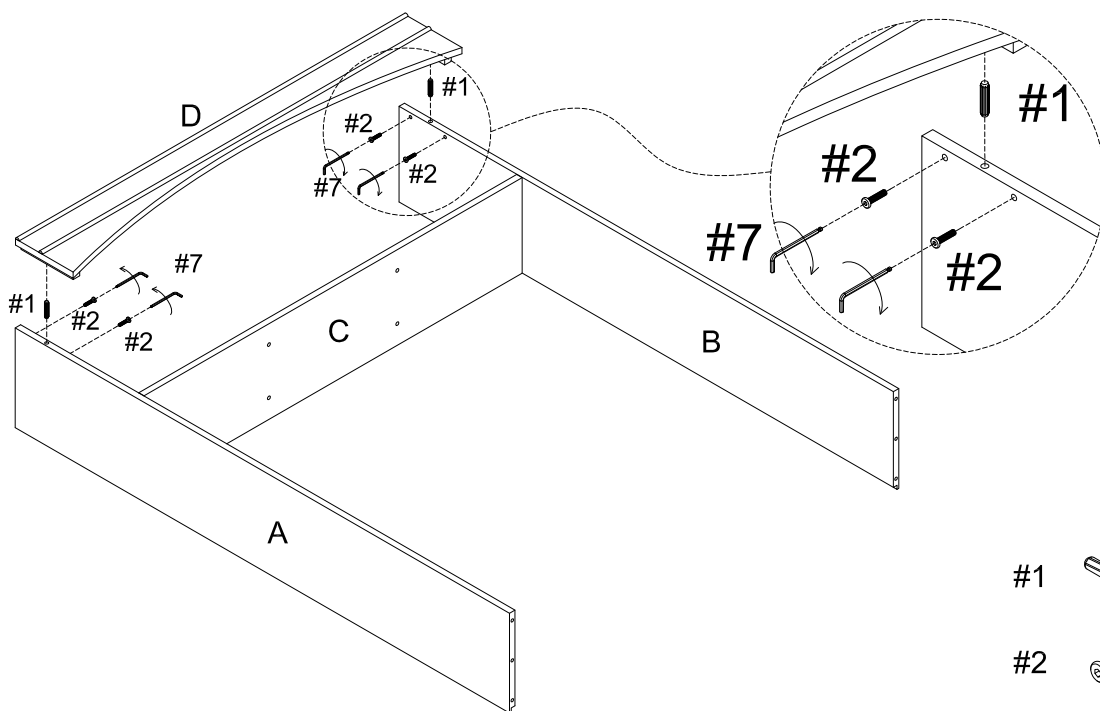
Note: Wood dowels are intended for alignment. Additional clearance between wood dowel and pre-drilled hole is intentional for ease of assembly.

Step 1. Attach upper panels (parts A & B) to fixed shelf (part C) using wood dowels (part #1).



#1  x 4

Step 2. Attach front panel (part D) to upper panels (parts A & B) using wood dowels (part #1), bolts (part #2) and allen wrench (part #7).

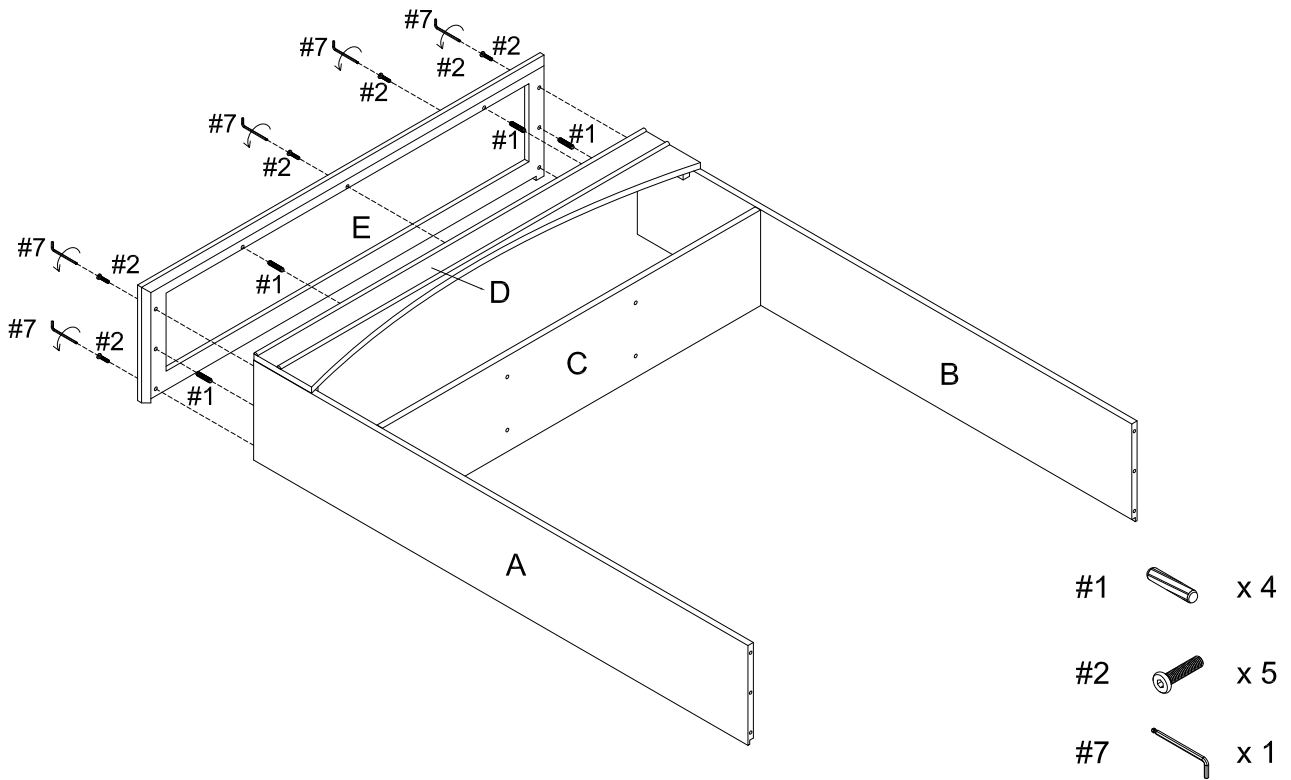


#1  x 2

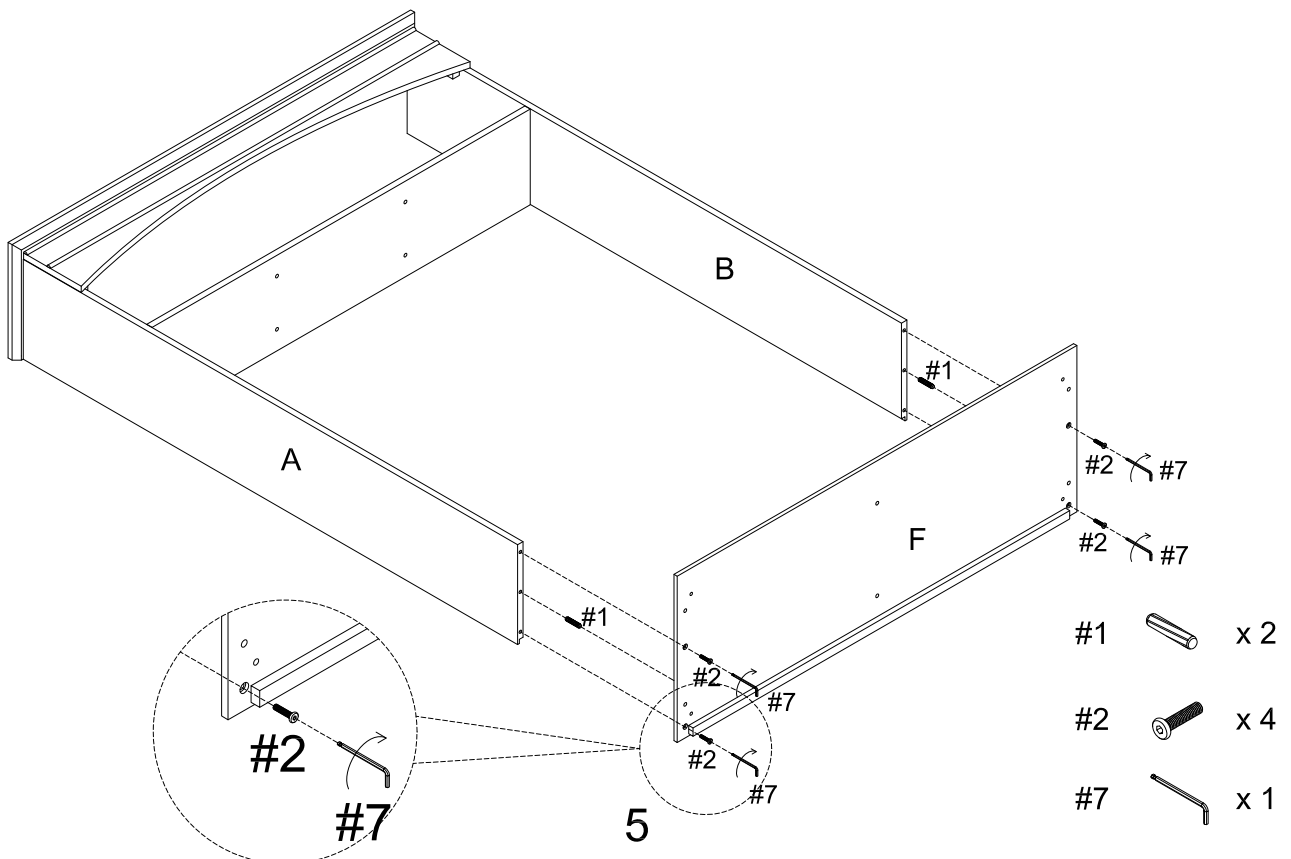
#2  x 4

#7  x 1

Step 3. Attach top panel (part E) to upper panels (parts A & B) and front panel (part D) using wood dowels (part #1), bolts (part #2) and allen wrench (part #7).



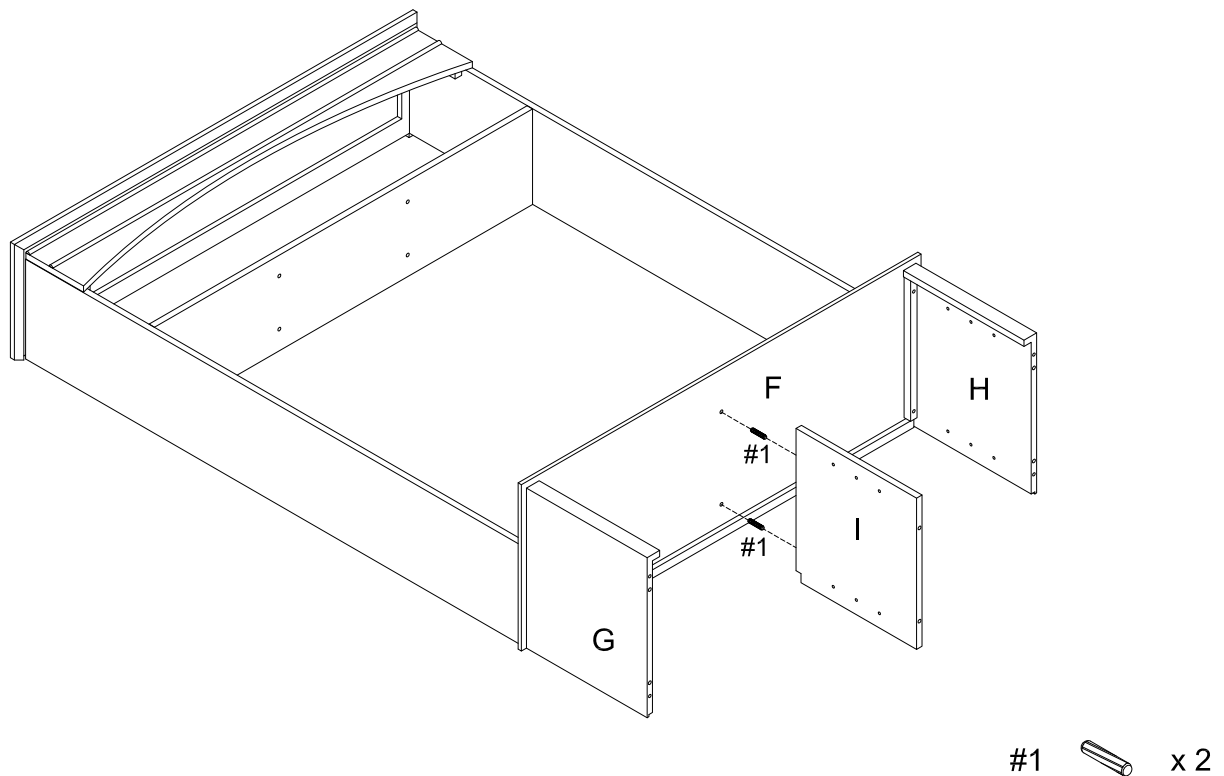
Step 4. Attach seat panel (part F) to upper panels (parts A & B) using wood dowels (part #1), bolts (part #2) and allen wrench (part #7).



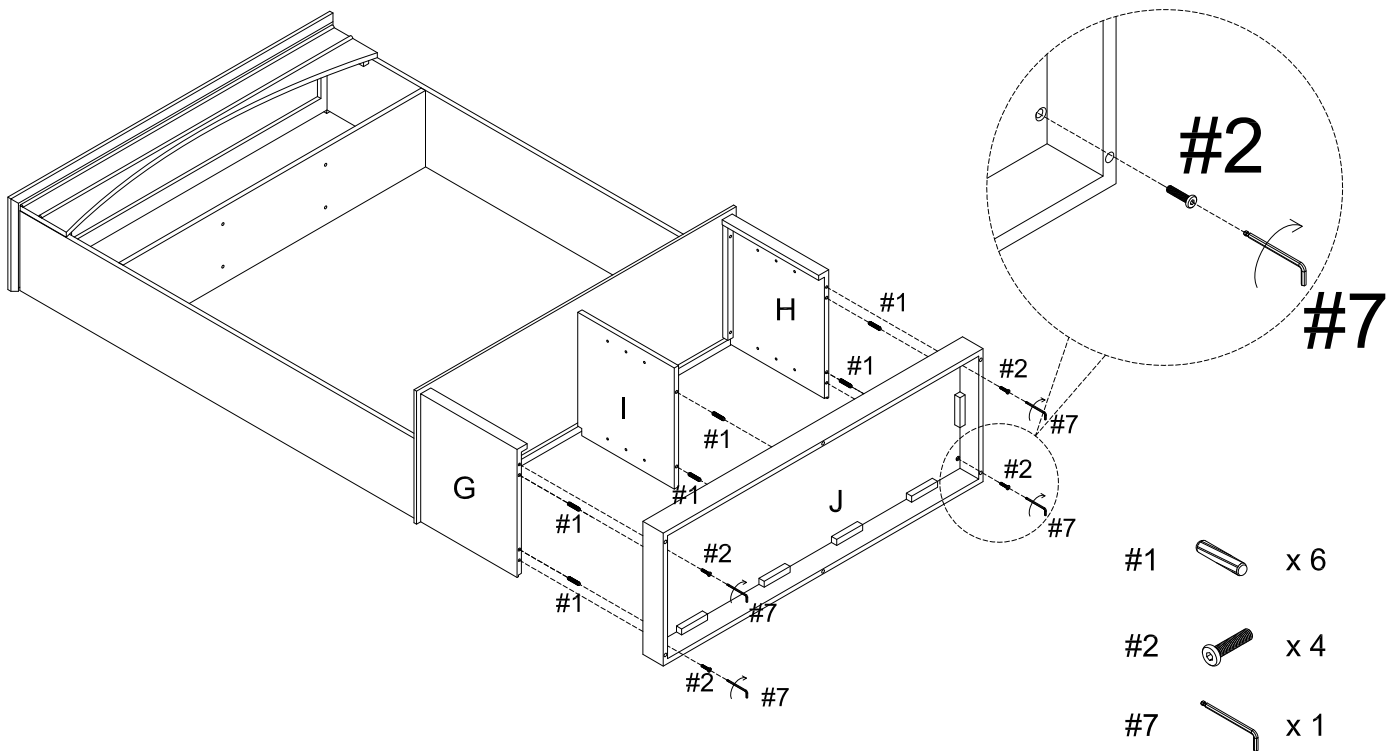
Step 5. Attach lower panels (parts G & H) to seat panel (part F) using wood dowels (part #1), bolts (part #2) and allen wrench (part #7).



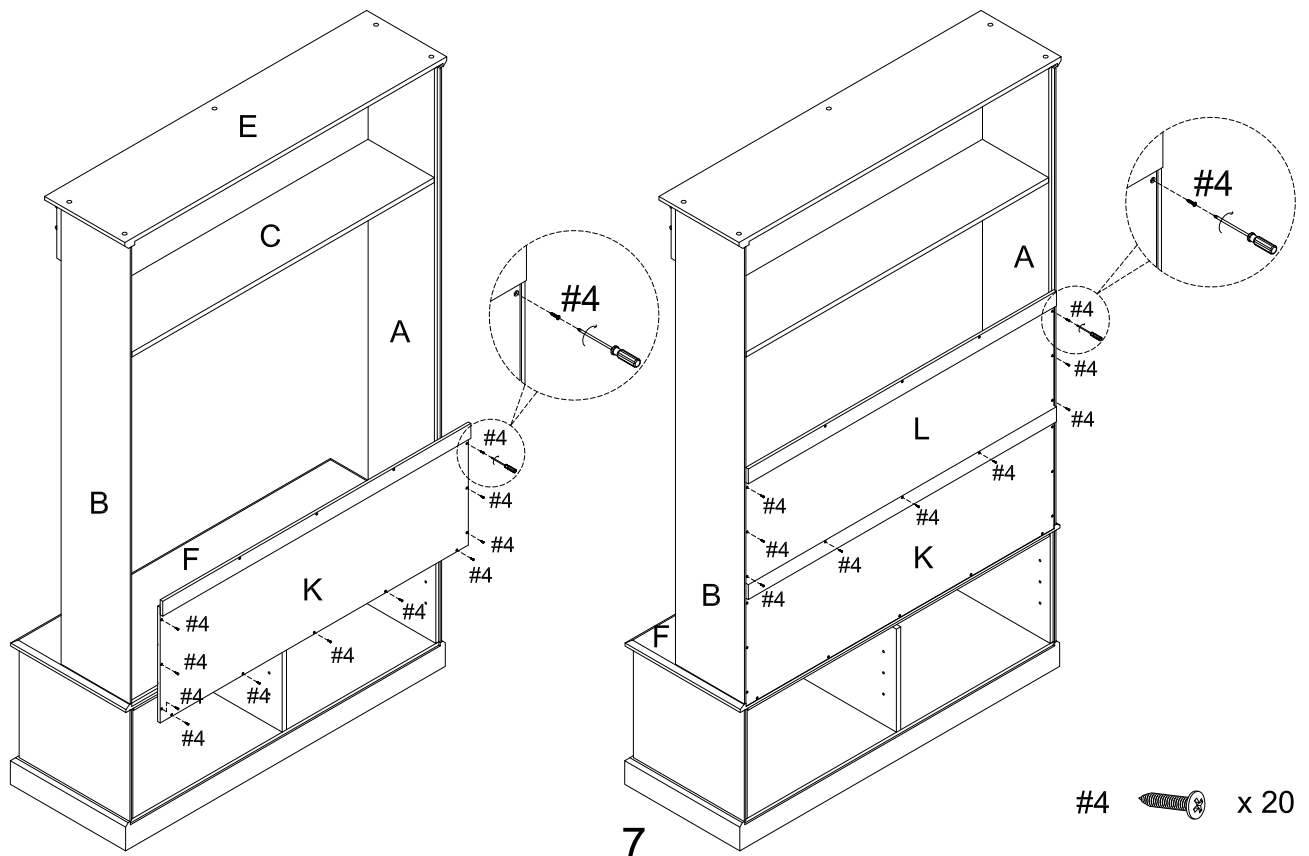
Step 6. Attach partition panel (part I) to seat panel (part F) using wood dowels (part #1).



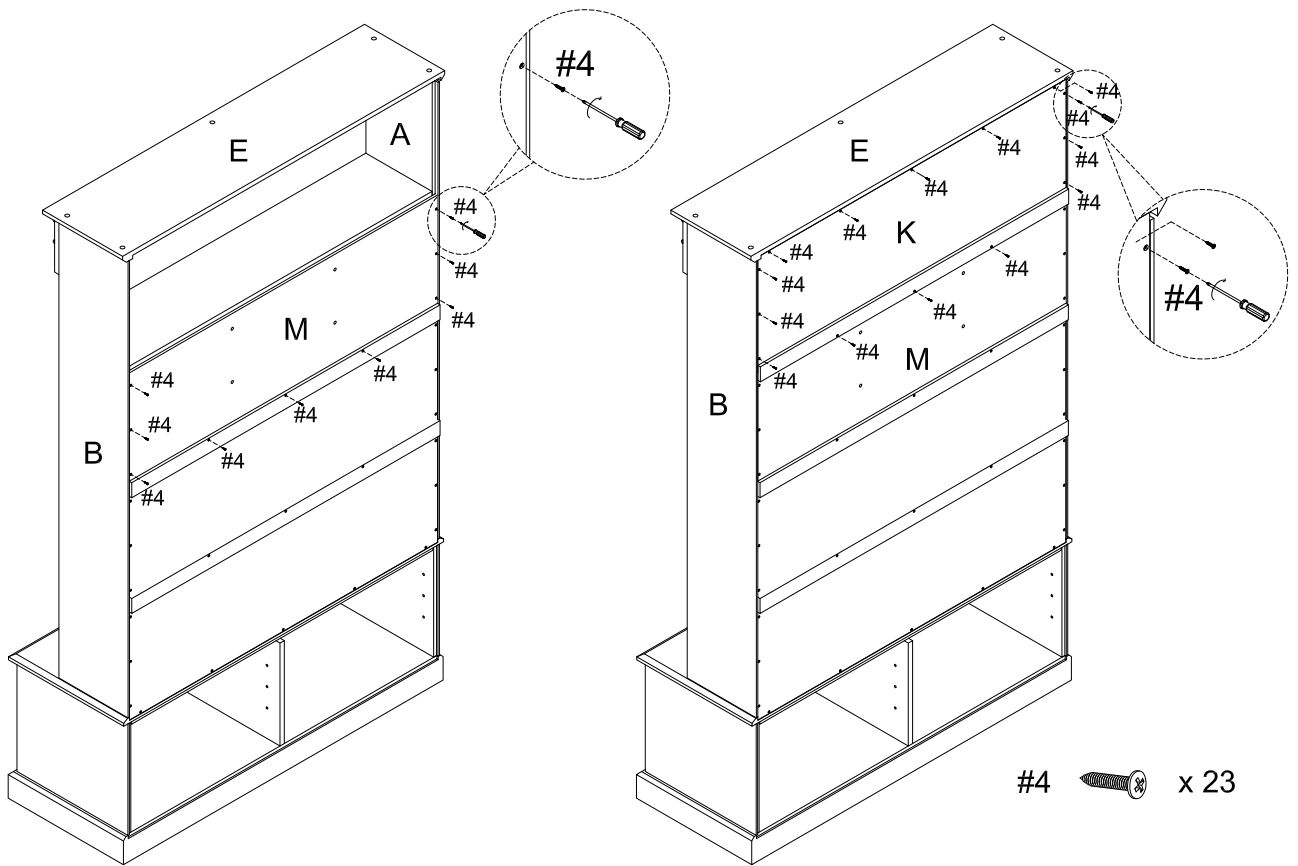
Step 7. Attach bottom panel (part J) to lower panels (parts G & H) and partition panel (part I) using wood dowels (part #1), bolts (part #2) and allen wrench (part #7).



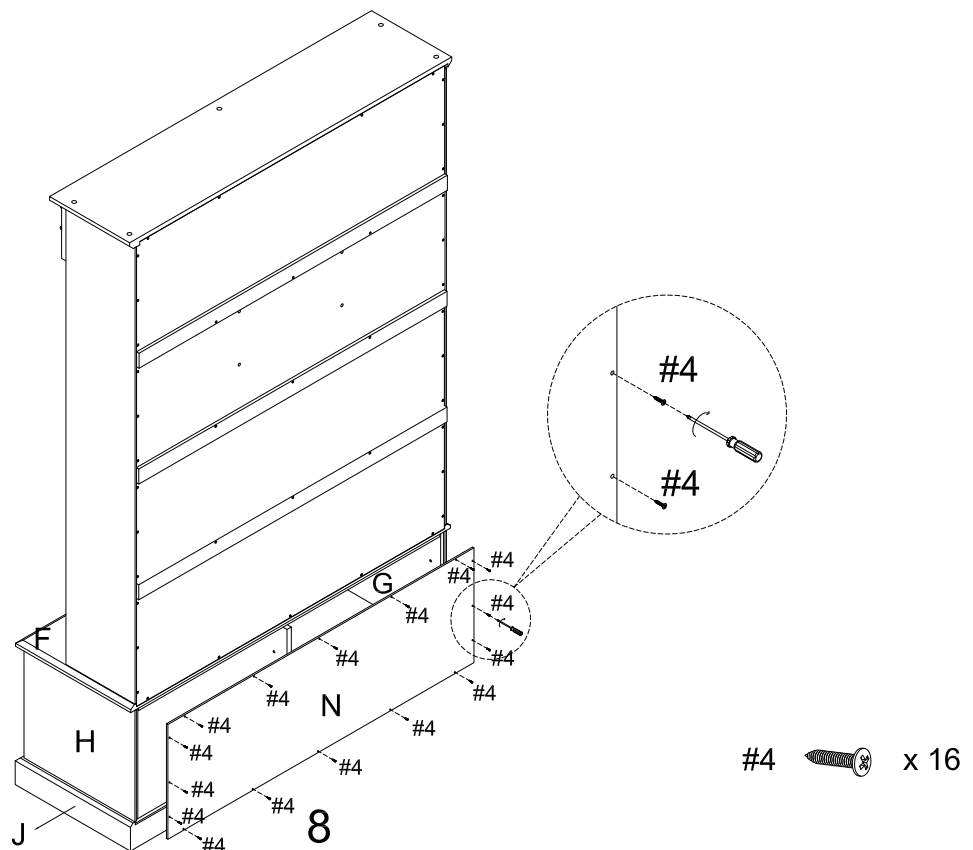
Step 8. Carefully turn unit upright. Attach upper/lower back panel (part K) and middle lower back panel (part L) to upper panels (parts A & B) and seat panel (part F) using round head screws (part #4) and phillips head screwdriver.



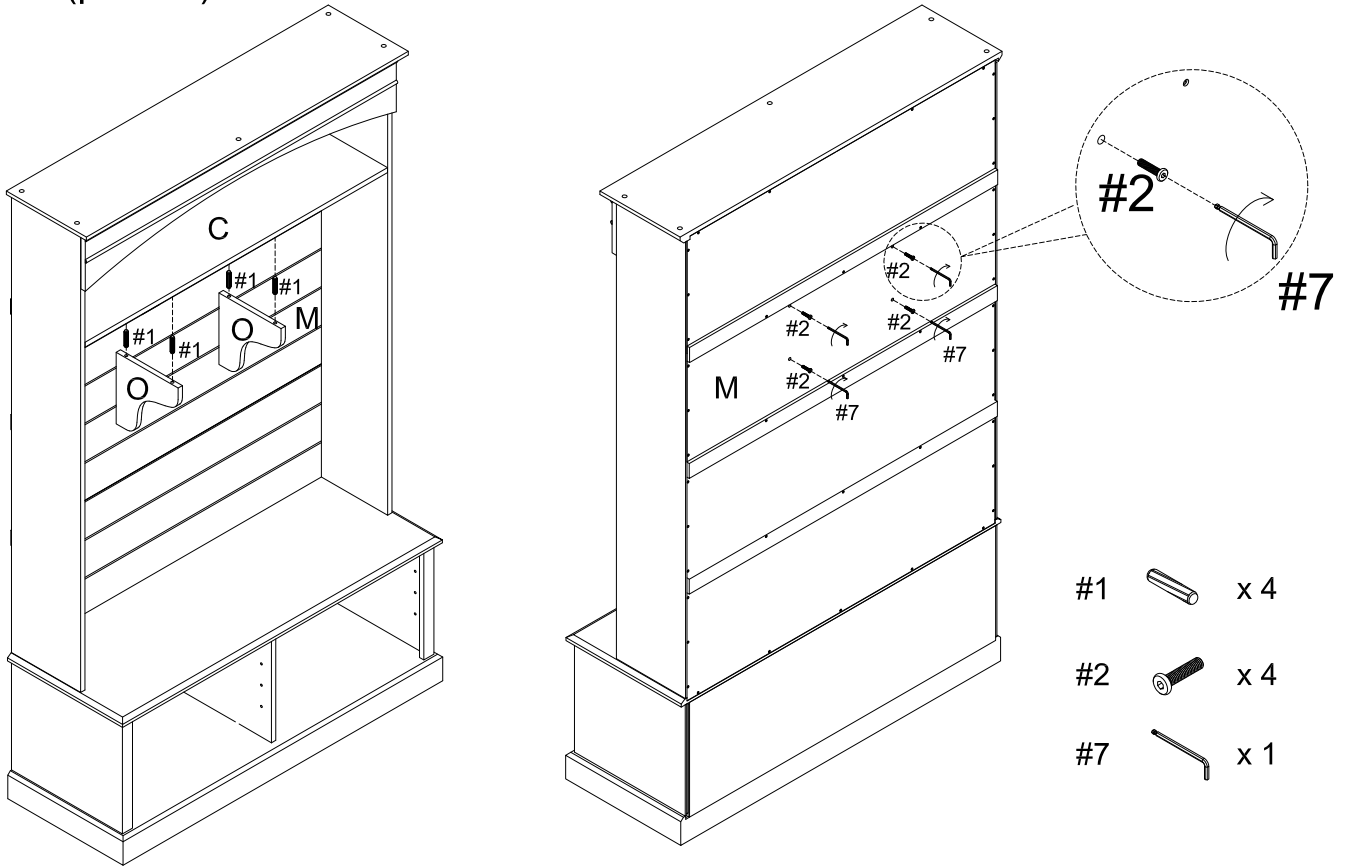
Step 9. Attach upper/lower back panel (part K) and middle upper back panel (part M) to upper panels (parts A & B) and top panel (part E) using round head screws (part #4) and phillips head screwdriver.



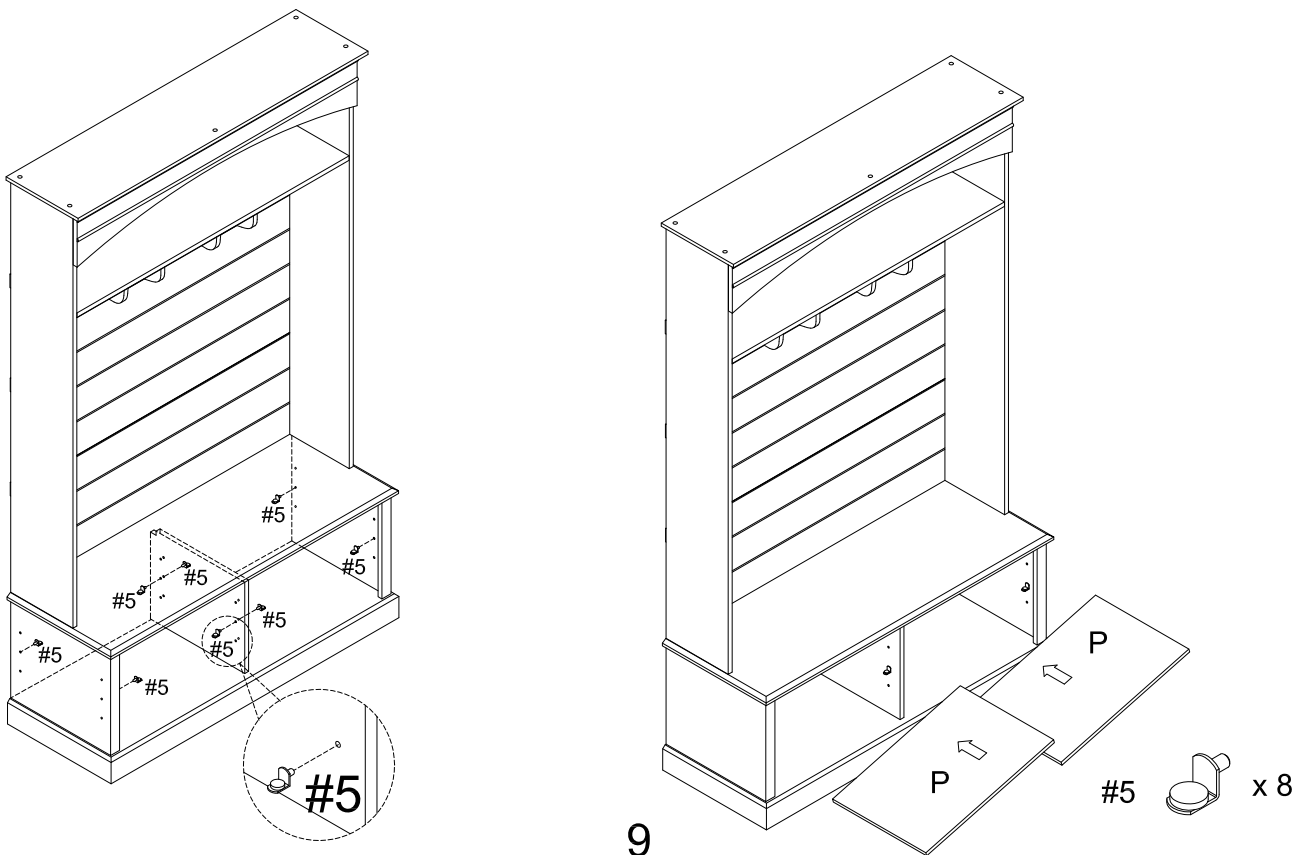
Step 10. Attach lower back panel (part N) to seat panel (part F), bottom panel (part J) and lower panels (parts G & H) using round head screws (part #4) and phillips head screwdriver.



Step 11. Attach support panels (part O) to middle upper back panel (part M) and fixed shelf (part C) using wood dowels (part #1), bolts (part #2) and allen wrench (part #7).



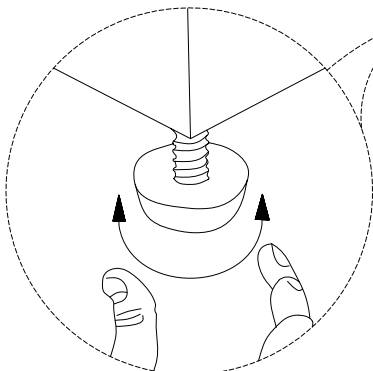
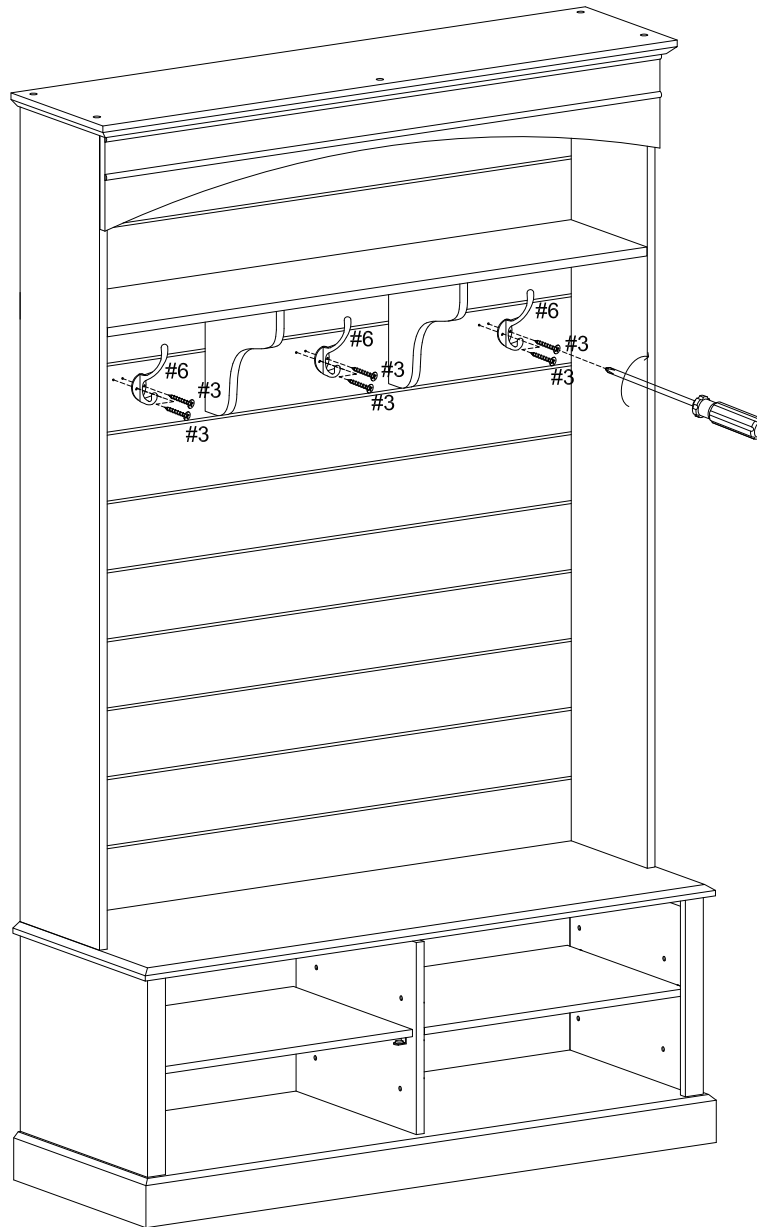
Step 12. Insert shelf holders (part 5) into desired position and slide adjustable shelves (part P) into place.











Step 13. Attach hooks (part #6) to middle upper back panel (part M) using short screws (part #3) and phillips head screwdriver.

Note: It is important to adjust levelers once fully assembled and upright. Extend adjustable leveler until it's firmly in contact with the floor. If relocating, adjust leveler as needed until it's firmly in contact with the floor in new location.

Important: Safety strap kit (part #8) must be installed to prevent tipping, damage and/or injury.



- #6  x 3
- #3  x 6

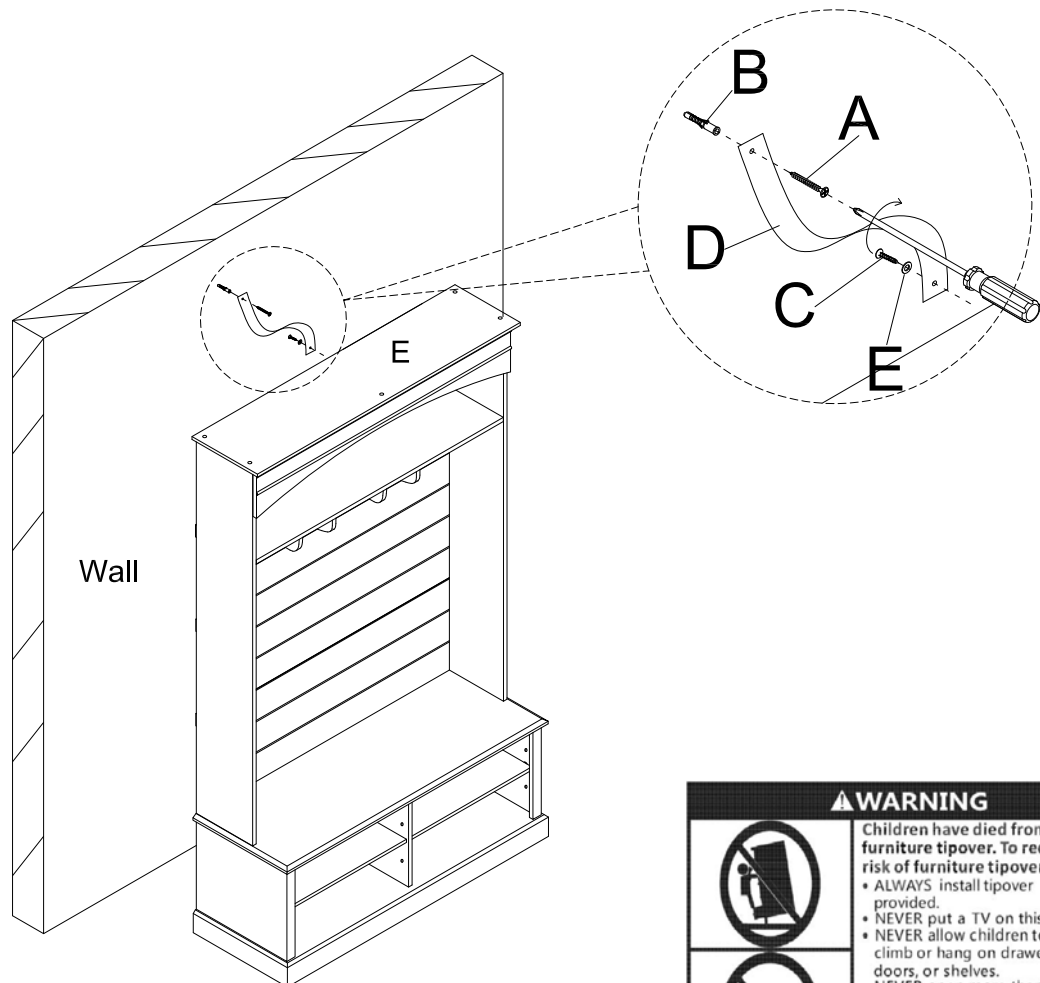
#8		A		B		C		D		E	
Safety Strap Kit 1 SET	Long Screw 1 PC	Wall Anchor 1 PC	Short Screw 1 PC	Safety Wall Strap 1 PC	Flat Washer 1 PC						

SAFETY WALL STRAP INSTALLATION

Note: It is highly recommended to install this safety strap kit to prevent tipping, damage and/or injury

1. Insert short screw (C) through flat washer (E) and safety wall strap (D) and attach to top panel (part E) using phillips head screwdriver.
2. Drill a 11/32" hole where you want to secure the unit. The drilled hole will be at the same height as the hole in top panel (part E) where safety wall strap (D) is attached, Tap wall anchor (B) into the hole.
3. Insert long screw (A) through safety wall strap (D) into wall anchor (B) using phillips head screwdriver.

Note: This item is not intended for clothing storage use.



⚠ WARNING

Children have died from furniture tipover. To reduce the risk of furniture tipover:

- ALWAYS install tipover restraint provided.
- NEVER put a TV on this product.
- NEVER allow children to stand, climb or hang on drawers, doors, or shelves.
- NEVER open more than one drawer at a time.
- Place heaviest items in the lowest drawers.

This is a permanent label. Do not remove!