

ASSEMBLY INSTRUCTIONS
PLEASE RETAIN THESE INSTRUCTIONS FOR FUTURE USE



TIME ASSEMBLE : 30-60 minutes



NUMBER OF PERSON: 2

Greeting!
So here I am

your new pet house

- ▶ Thanks for letting me be a home for your furry friend(s).
- ▶ They'll be cozy and protected from the weather when they're with me.
- ▶ Just remember to take care of me too, so I can last a long time.
- ▶ When you first get me, you might smell a funny smell. Don't worry, it's not dangerous.
- ▶ Just let me air out for a few days and the smell will go away.
- ▶ Be careful when you're putting me together because some of my parts can be sharp or heavy.
- ▶ Make sure to start by loosely putting in screws, and then tighten them all before using me.
- ▶ If you notice anything broken or missing, stop using me until it's fixed, and please follow the instructions from the maker so your warranty stays good.
- ▶ You can use me both inside and outside, but if you put me outside, make sure to give me an extra cover to keep me from getting moldy.
- ▶ I like to be on a level surface so my doors work smoothly.
- ▶ Keep me away from fire and dangerous chemicals.
- ▶ Clean me with a damp, soapy sponge without corrosive agents.
- ▶ Dry me with a soft, clean, dry cloth.
- ▶ Do not use a high pressure cleaner on me.
- ▶ Do not use bleach, acids, solvents, or abrasive cleaners on me.
- ▶ Check that all my bolts, screws, and knobs are tight every 90 days.

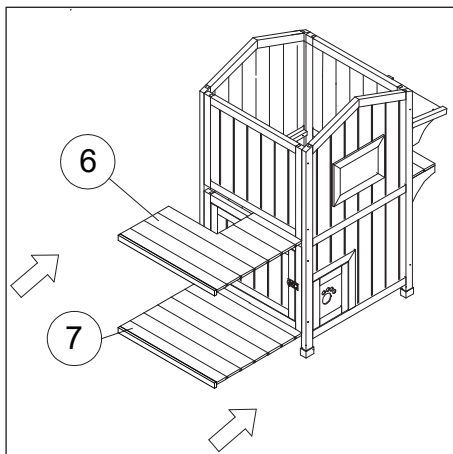


HELP CENTER

- ▶ Your full satisfaction is our **FIRST** priority
- ▶ We hope you enjoy it and have a good shopping experience.
- ▶ We are committed to resolve any situation when it does not meet your expectations.
- ▶ Please feel free to contact us through order detail page, we will get back to you and solve them within 24 hours.

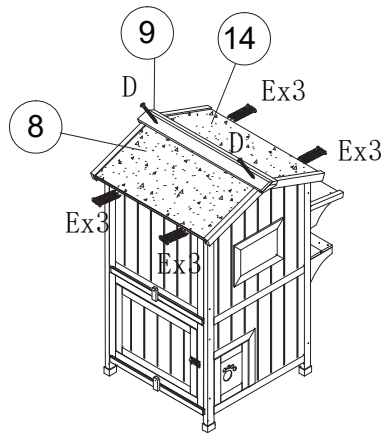
Kindly Reminder : Please screw the screws gently when assemble.

The wooden knob on the wooden bottom and layer panel is to prevent them from being moved by pets. You don't need to install the wooden knob or rotate the wooden knob upward if they doesn't move.



Insert ⑥ Layer panel and ⑦ Bottom panel into the cage.

D M3.0x23 2PCS E M3.0x18 12PCS



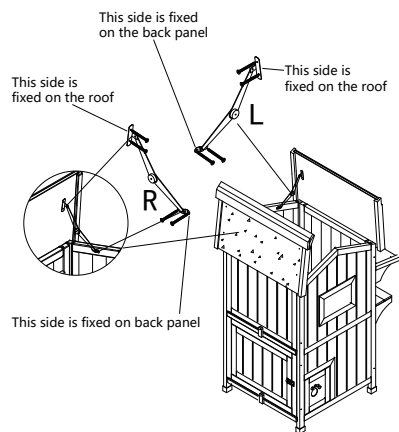
Fix ⑧ Left roof, ⑭ Right roof, and ⑨ Ridge cap with screws.

STEP 5

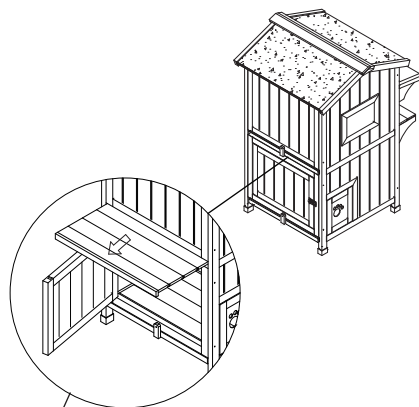
STEP 6

E M3.0x18 8PCS

L 1PC
Left metal supporter
R 1PC
Right metal supporter



Fixed the Left metal supporter (L) and Right metal supporter (R) on the house with screws.
(Please kindly noted the R and L mark on the metal supporter)



Please open the door first when you pull out the upper panel.

STEP 7


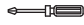
STEP 8

ASSEMBLY INSTRUCTION

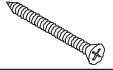
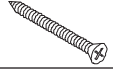
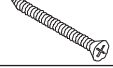
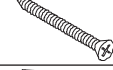
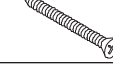
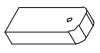
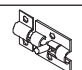
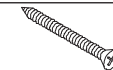

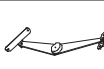
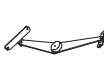
Tool Required: Electric Drill Phillips Screwdriver

① Front panel	② Back panel	③ left panel(upper)
④ left panel(down)	⑤ Right panel	⑥ Layer panel
⑦ Bottom panel	⑧ Left roof	⑨ Ridge cap
⑩ Small roof	⑪ x2 Small roof supporter	⑫ x2 Platform panel
⑬ x4 Platform supporter	⑭ Right roof	⑮ Door curtain

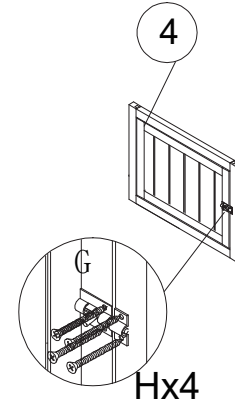
ASSEMBLY INSTRUCTION

Tool Required:  Electric Drill  Phillips Screwdriver

Parts Description

	A	M3. 5x45	12PCS+1spare
	B	M3. 5x35	20PCS+1spare
	C	M3. 0x25	2PCS+1spare
	D	M3. 0x23	6PCS+1spare
	E	M3. 0x18	20PCS+1spare
	F		2PCS
	G		1PC
	H	M3. 0x14	4PCS+1spare
	I		2PCS
	L		1PC
	R		1PC

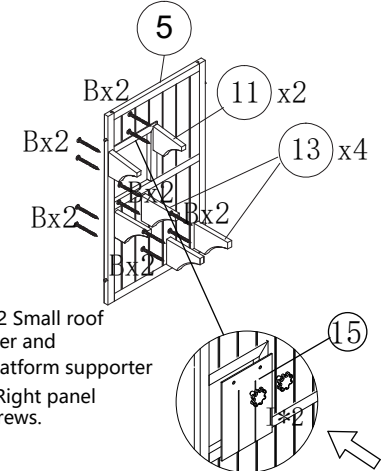
G  1PC H M3. 0x14 4PCS



Fix (G) bolt on ④ Left panel(down) with screws.

STEP 1

B M3. 5x35 12PCS I  2PCS



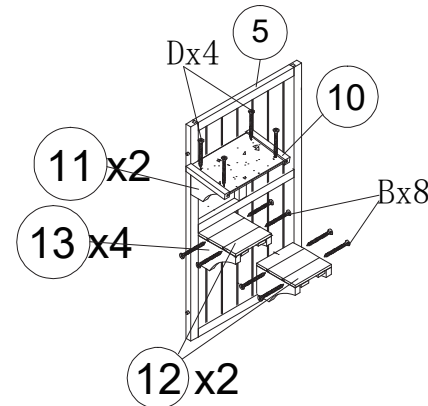
Fix ①x2 Small roof supporter and ⑬ x4 Platform supporter on ⑤ Right panel with screws.

Fix ⑮ Door curtain on ⑤ Right panel with screws.

Door curtain is removable, it can be disassembled by removing the hex nut

STEP 2

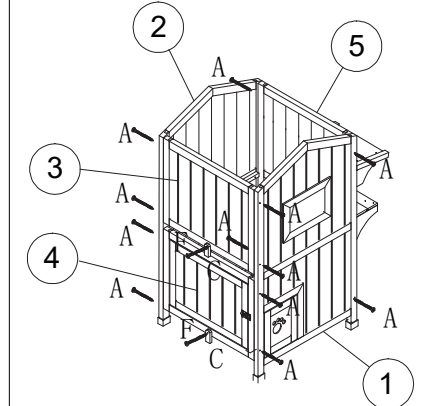
B M3. 5x35 8PCS D M3. 0x23 4PCS



Fix ⑩ Small roof on ⑪x2 Small roof supporter with screws.
Fix ⑫x2 Platform panel on ⑬x4 Platform supporter with screws.

STEP 3

A M3. 5x45 12PCS F  2PCS
C M3. 0x25 2PCS



Fix ① Front panel, ② Back panel, ③ ④ Left panel and ⑤ Right panel with screws.
Fix (F)*2 wooden knob on left panel with screws.

STEP 4