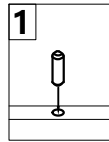


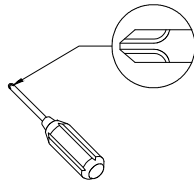
Customer Support: info.amerlifehome@gmail.com

General Assembly Guidelines

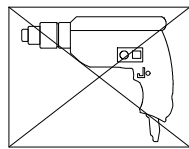
- I. Please ensure that all parts and hardware are available before assembly.
- II. Follow each step carefully to ensure the proper assembly of this product.
- III. For easy of assembly, two people are recommended to assemble this product.
- IV. The three main types of hardware are: wood dowels , screws and bolts.



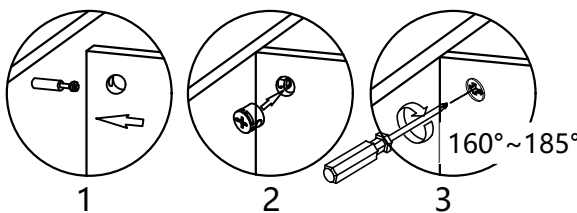
V. A Phillips head screwdriver is required for the assembly of this product.



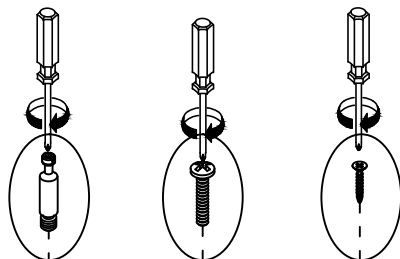
VI. Power tools should not be used when assemble this product.



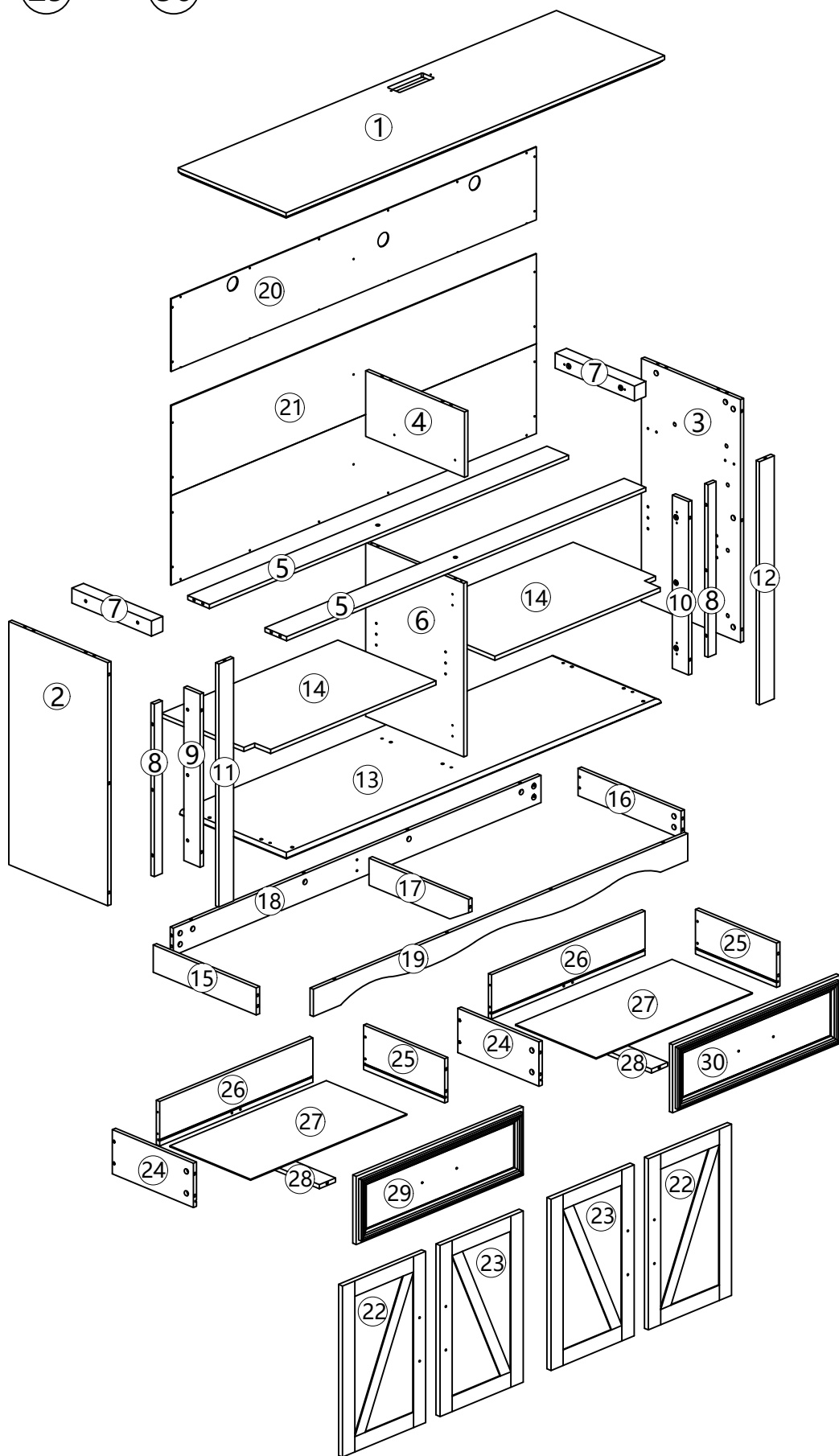
VII. Steps for assembly of three-in-one screws.



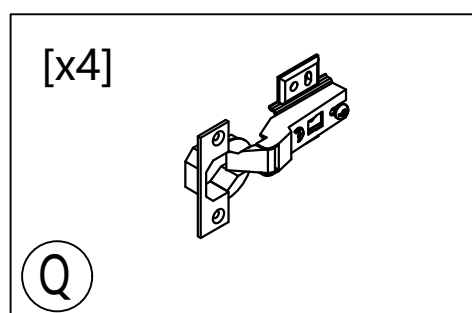
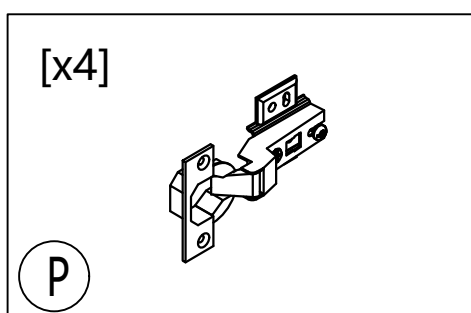
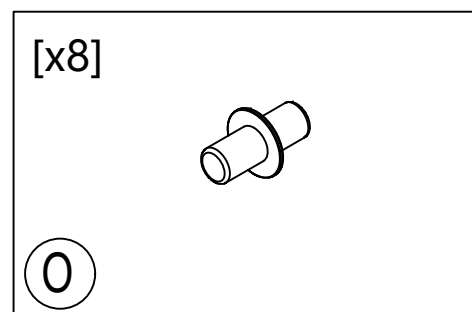
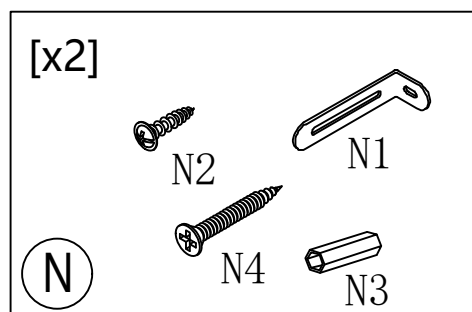
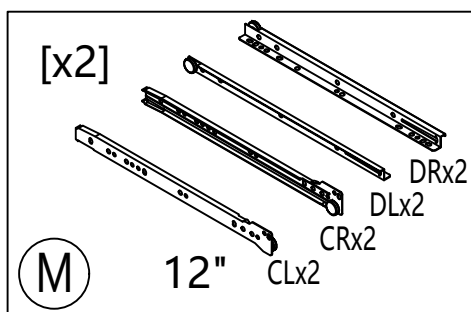
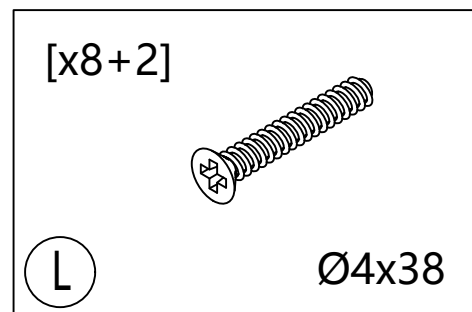
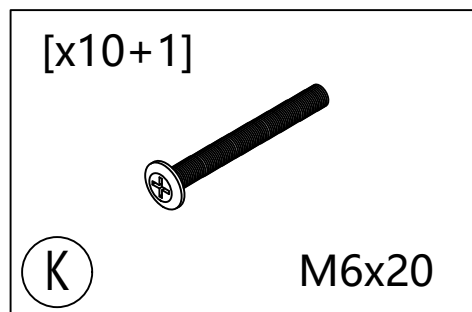
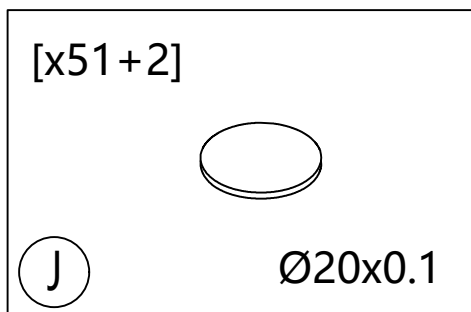
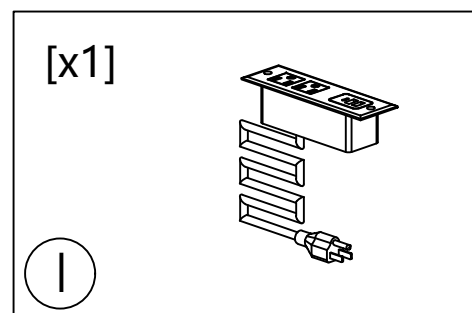
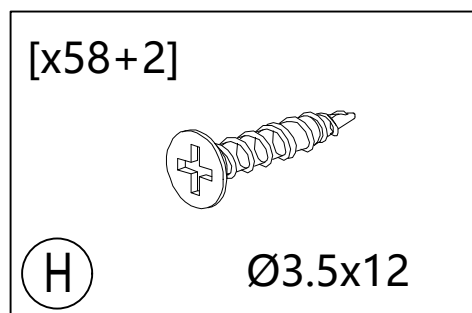
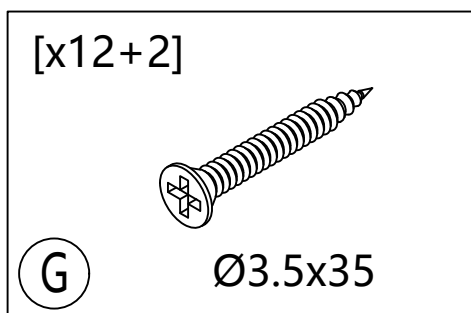
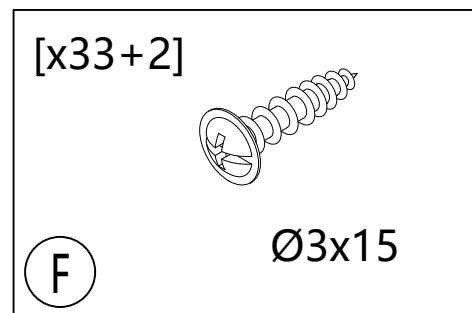
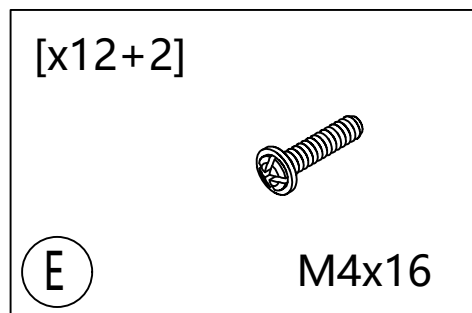
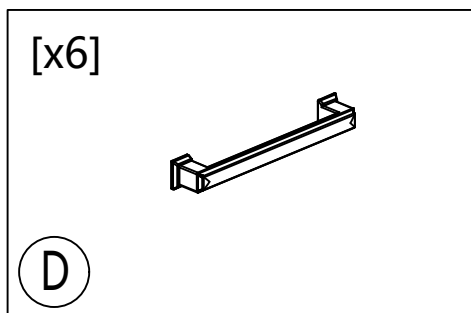
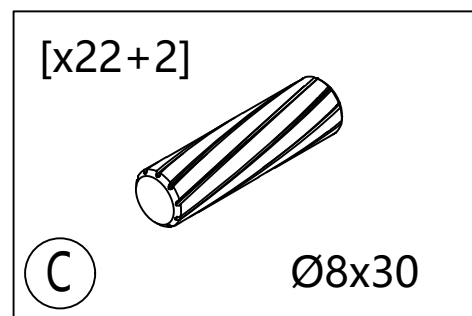
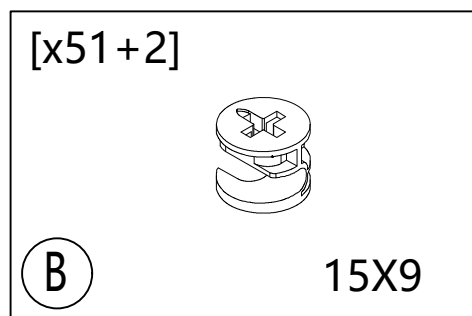
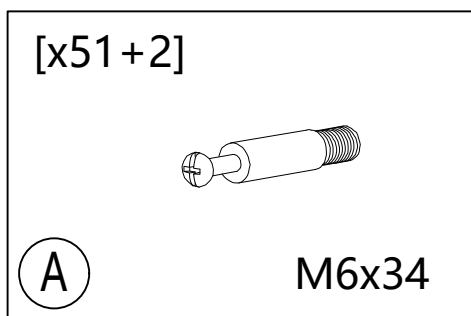
IX. Screw fixation diagram for all fittings



- ① x 1 ② x 1 ③ x 1 ④ x 1 ⑤ x 2 ⑥ x 1 ⑦ x 2 ⑧ x 2 ⑨ x 1
 ⑩ x 1 ⑪ x 1 ⑫ x 1 ⑬ x 1 ⑭ x 2 ⑮ x 1 ⑯ x 1 ⑰ x 1 ⑱ x 1
 ⑲ x 1 ⑳ x 1 ㉑ x 1 ㉒ x 2 ㉓ x 2 ㉔ x 2 ㉕ x 2 ㉖ x 2 ㉗ x 2
 ㉘ x 2 ㉙ x 1 ㉚ x 1



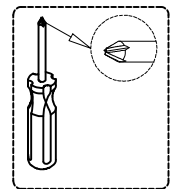
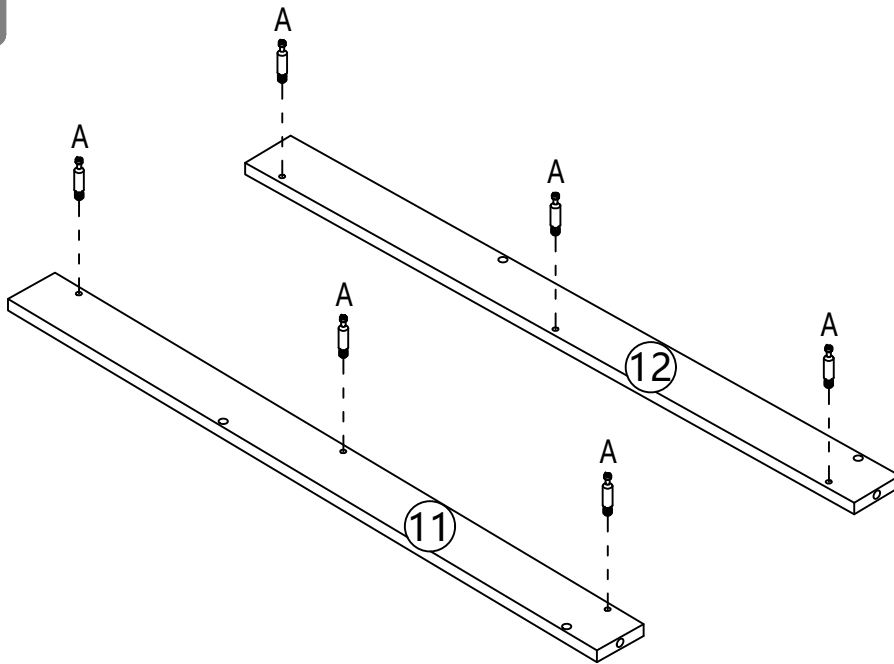
HARDWARE



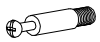
STEP#1



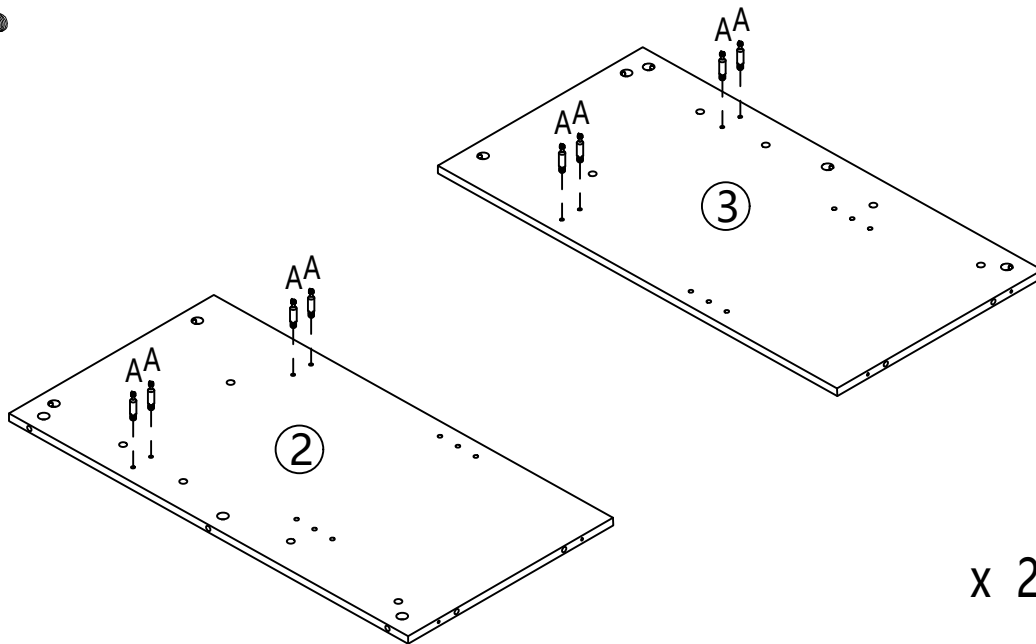
A x 6



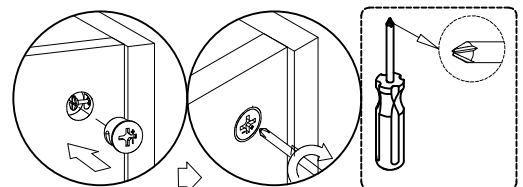
STEP#2






A x 8

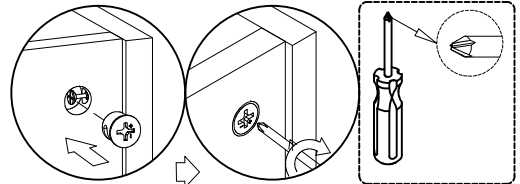
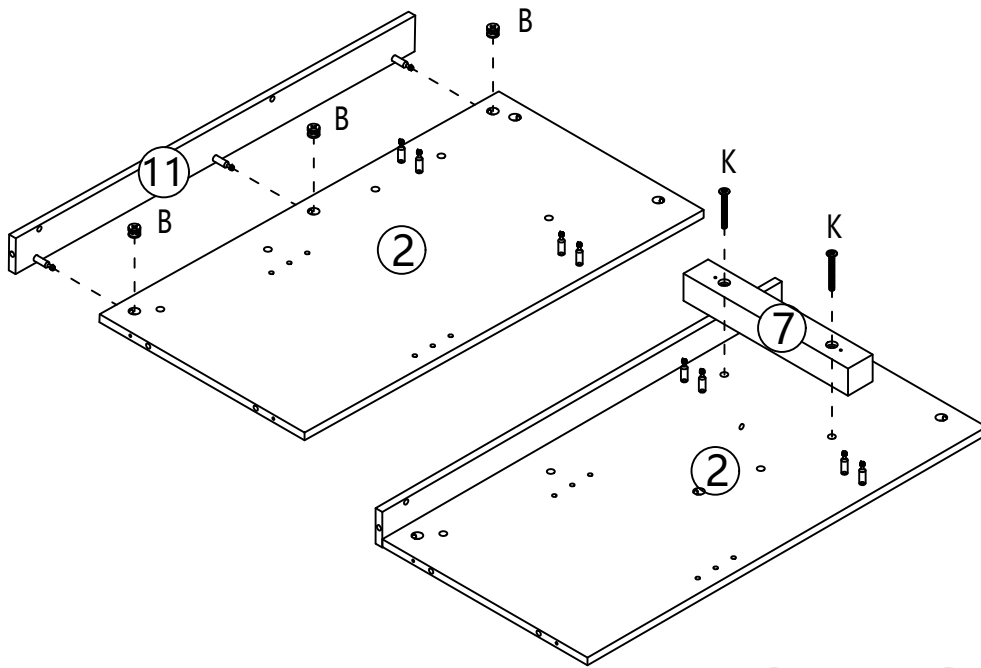


x 2



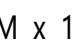


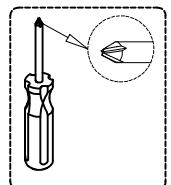
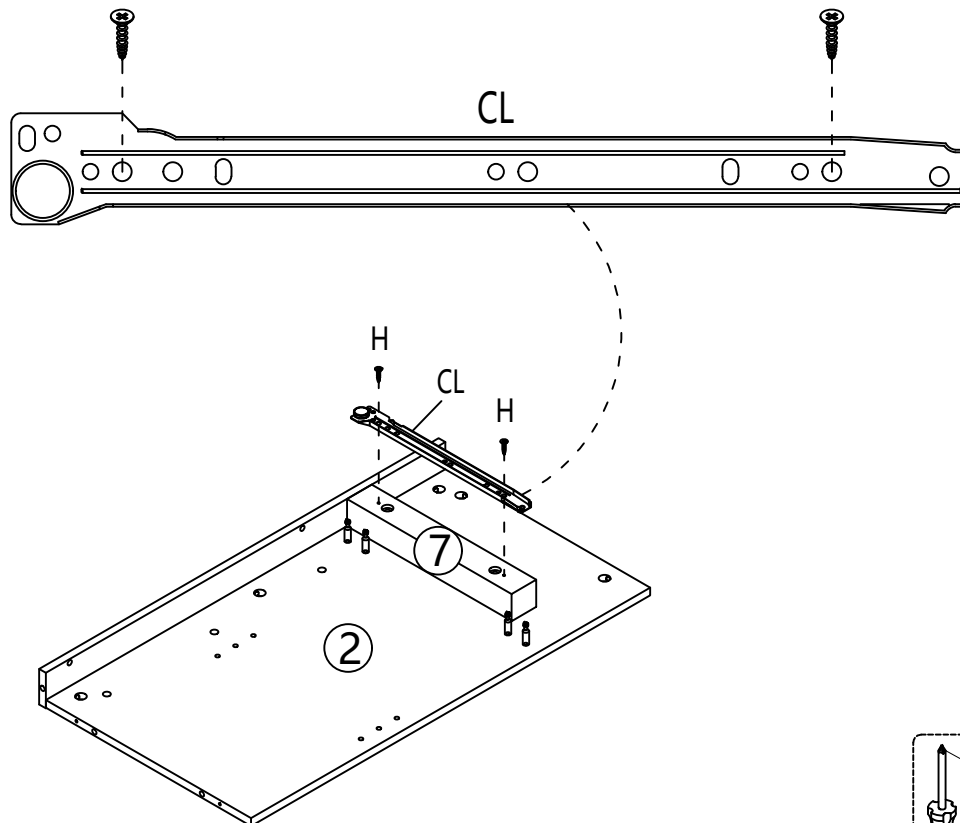
STEP#3

-  B x 3
-  J x 3
-  K x 2



STEP#4

-  H x 2
-  CL x 1
-  M x 1



STEP#5



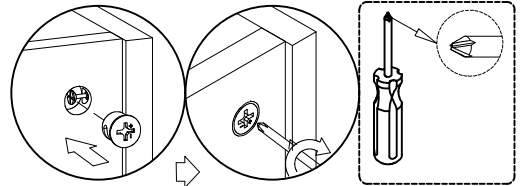
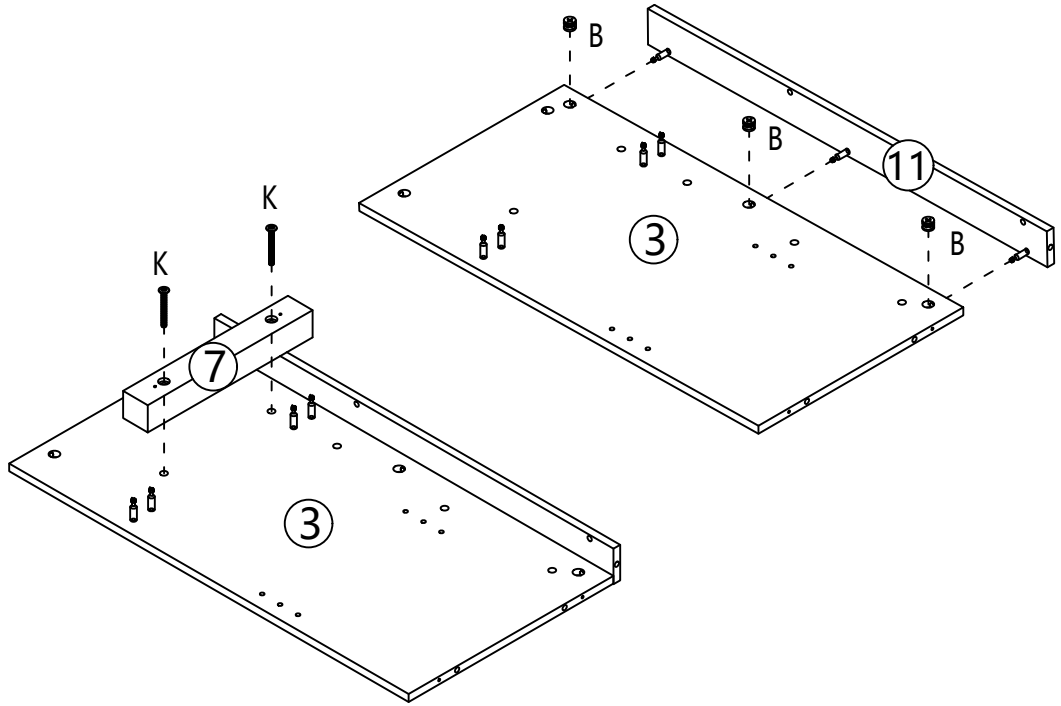
B x 3



J x 3



K x 2



STEP#6

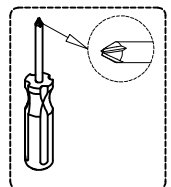
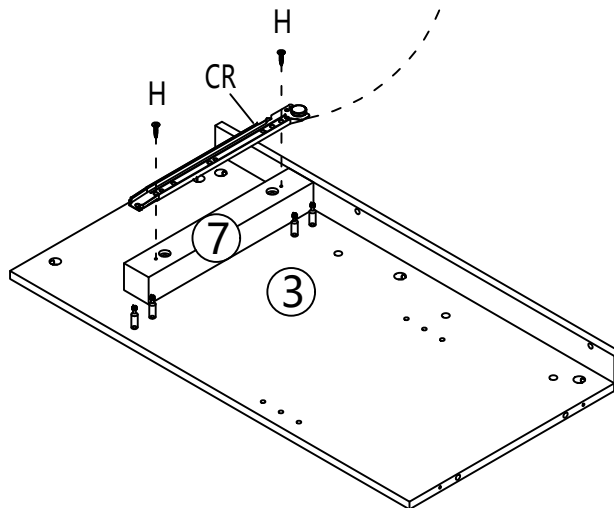
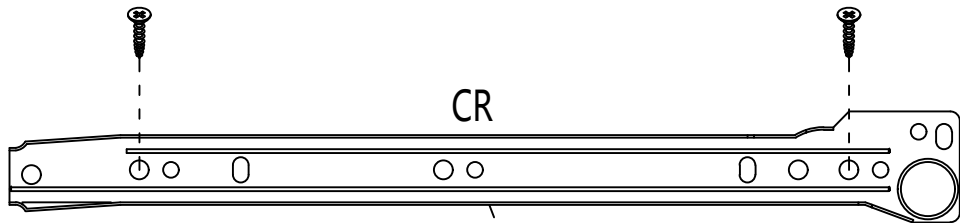


H x 2



CR x 1

M x 1

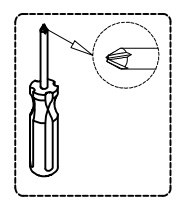
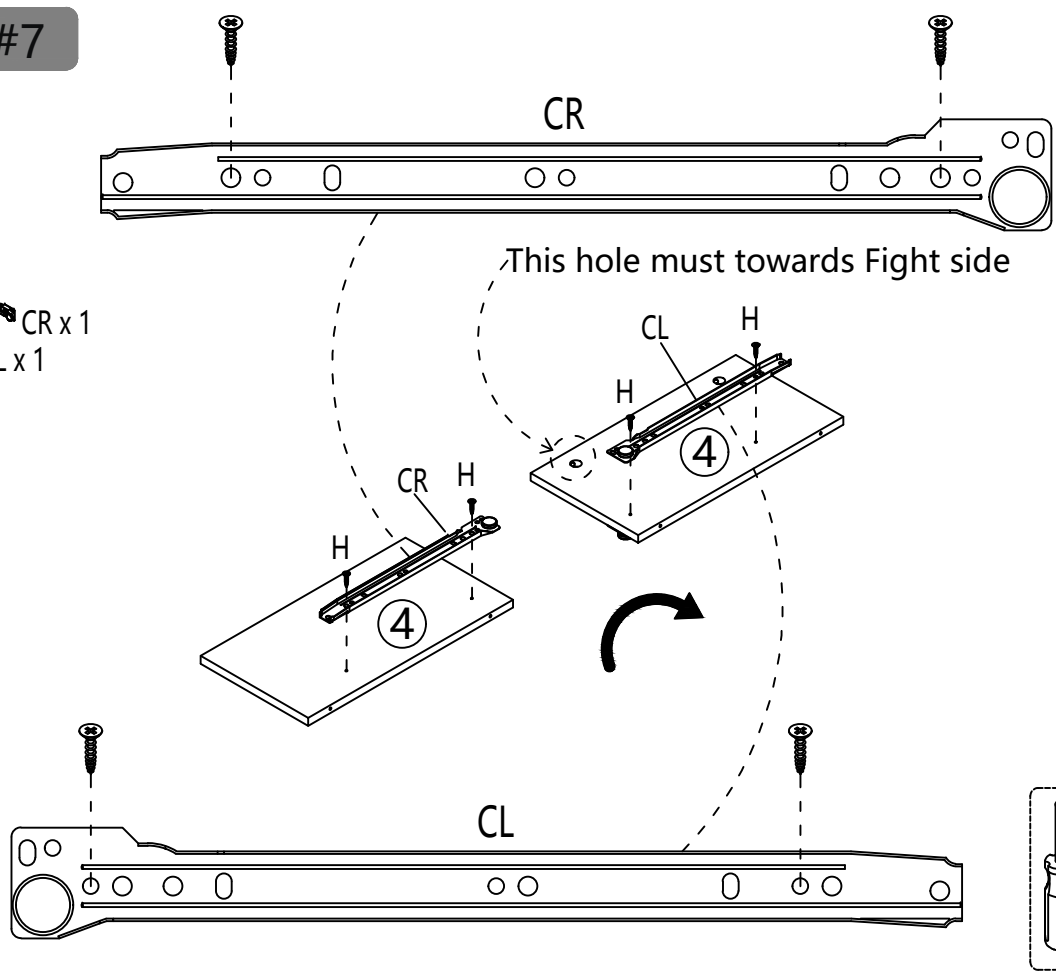


STEP#7

H x 4

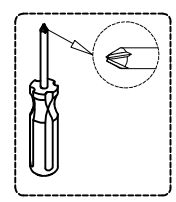
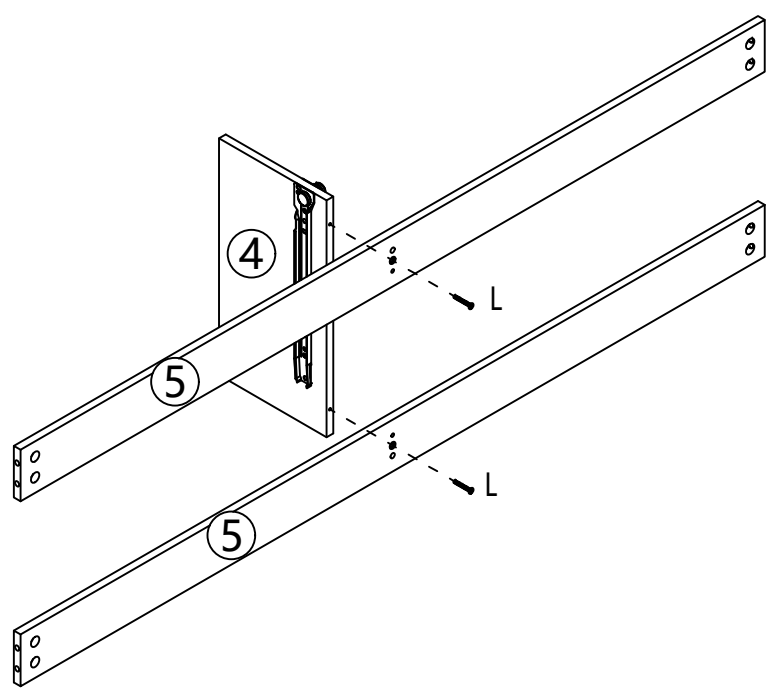
CR x 1
CL x 1

M x 1



STEP#8

L x 2



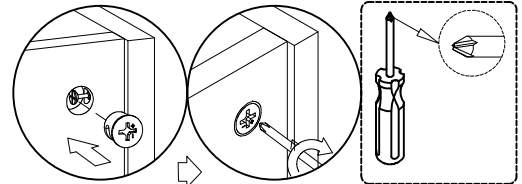
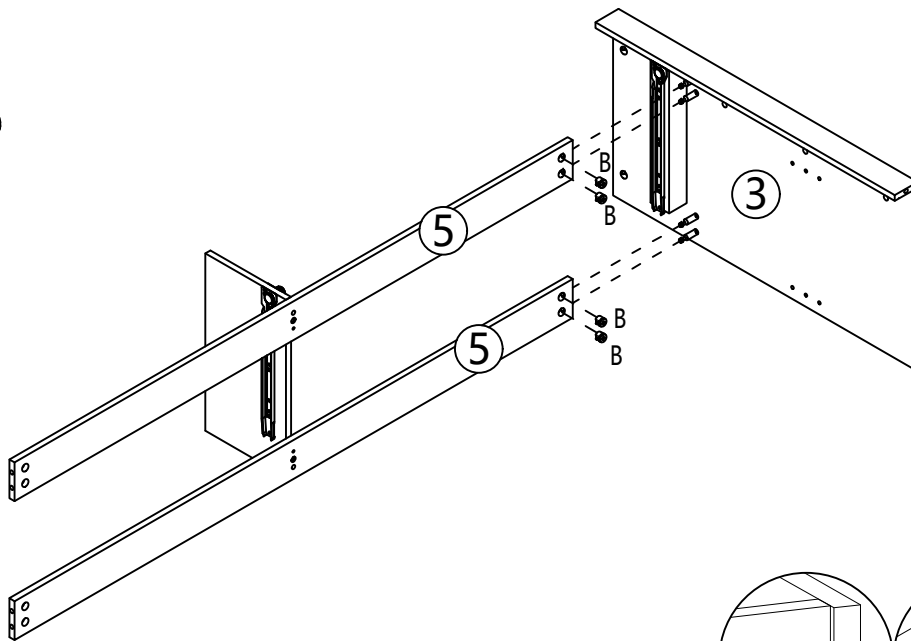
STEP#9



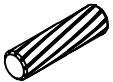
B x 4



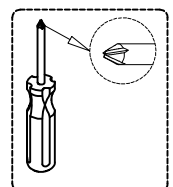
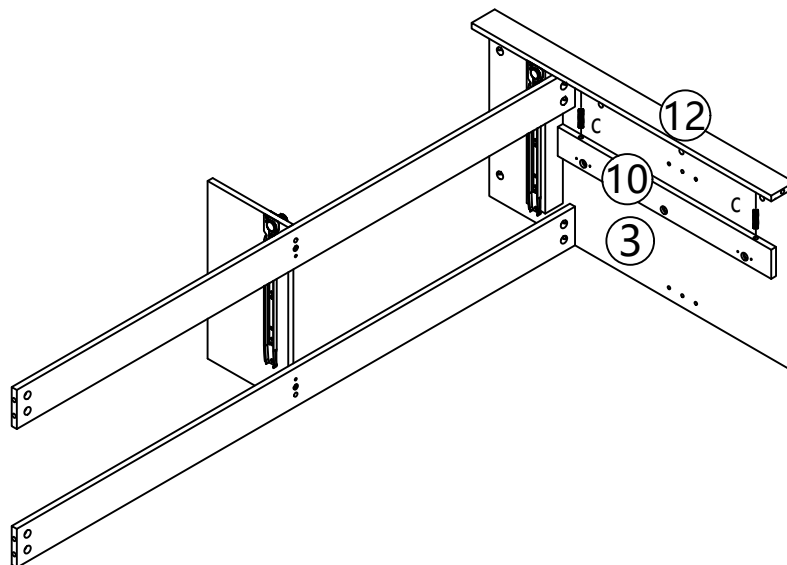
J x 4



STEP#10



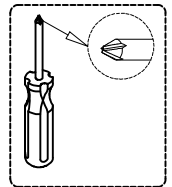
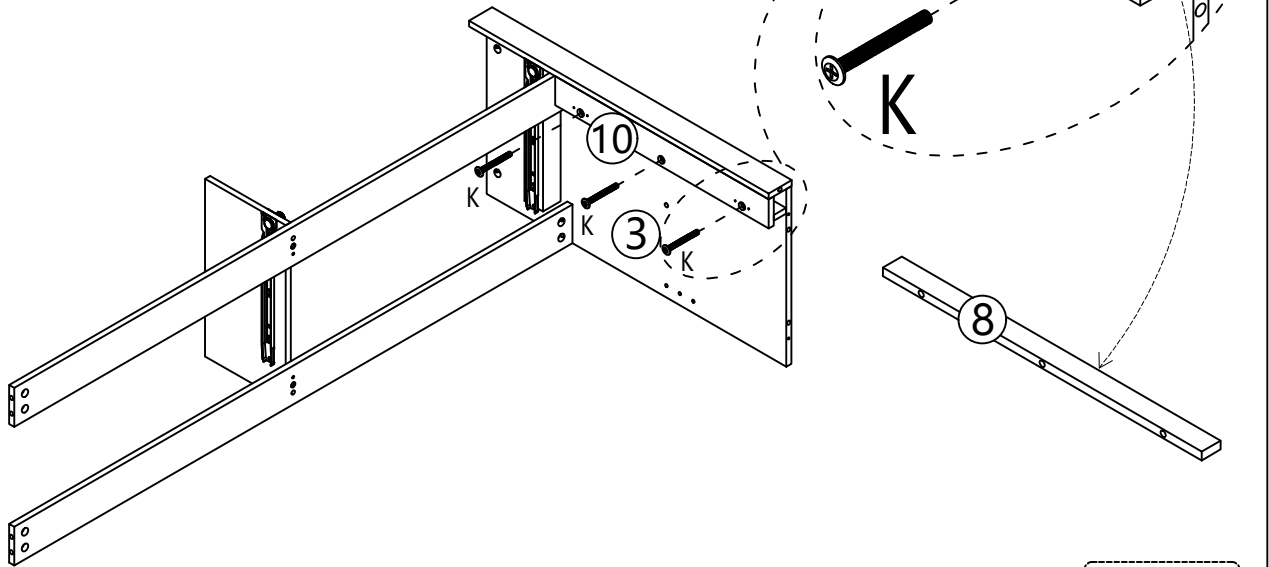
C x 2



STEP#11



K x 3



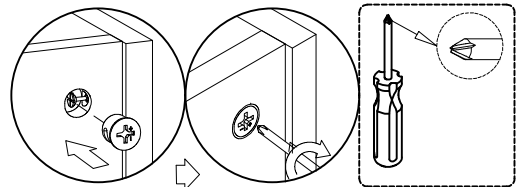
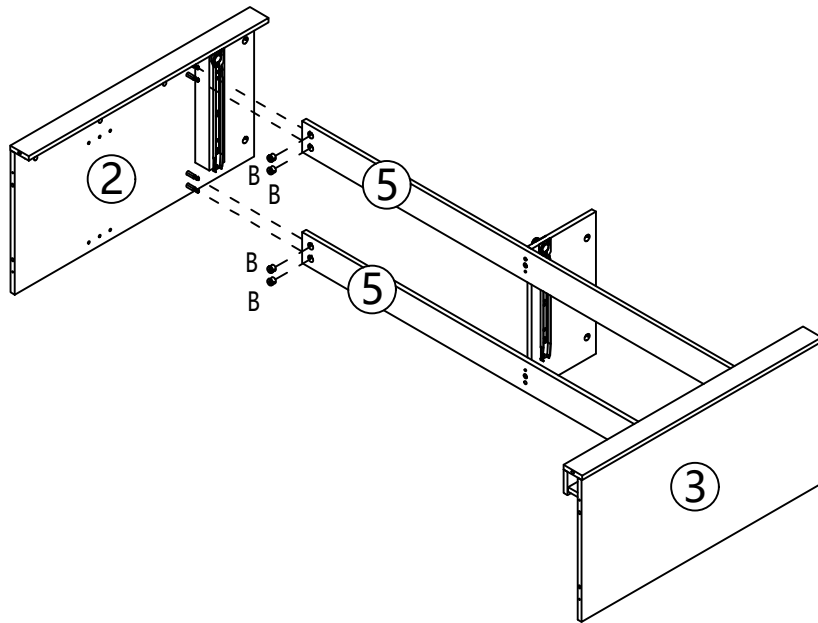
STEP#12



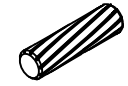
B x 4



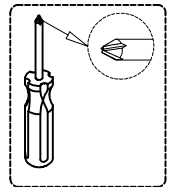
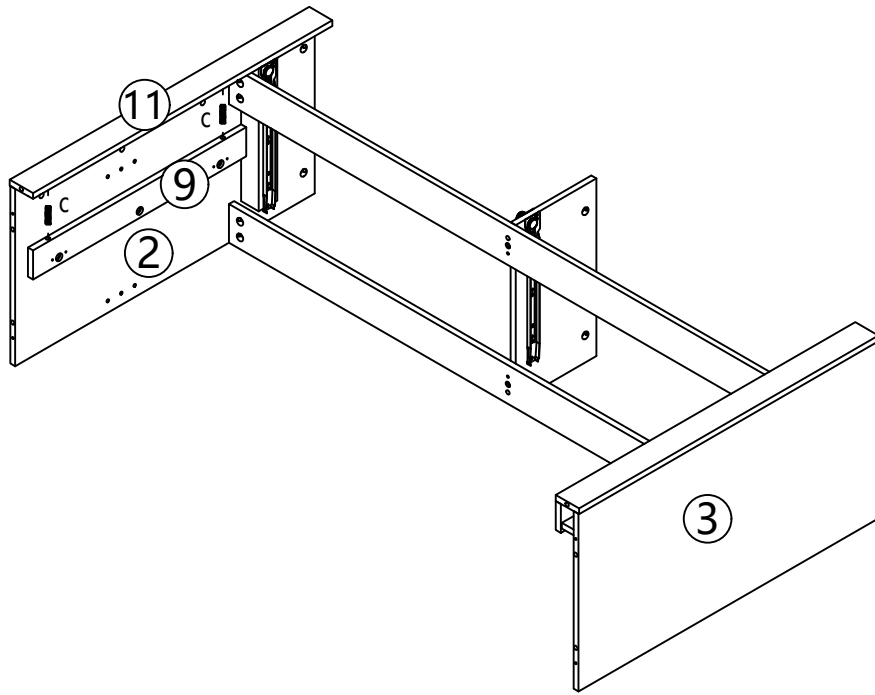
J x 4



STEP#13



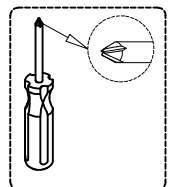
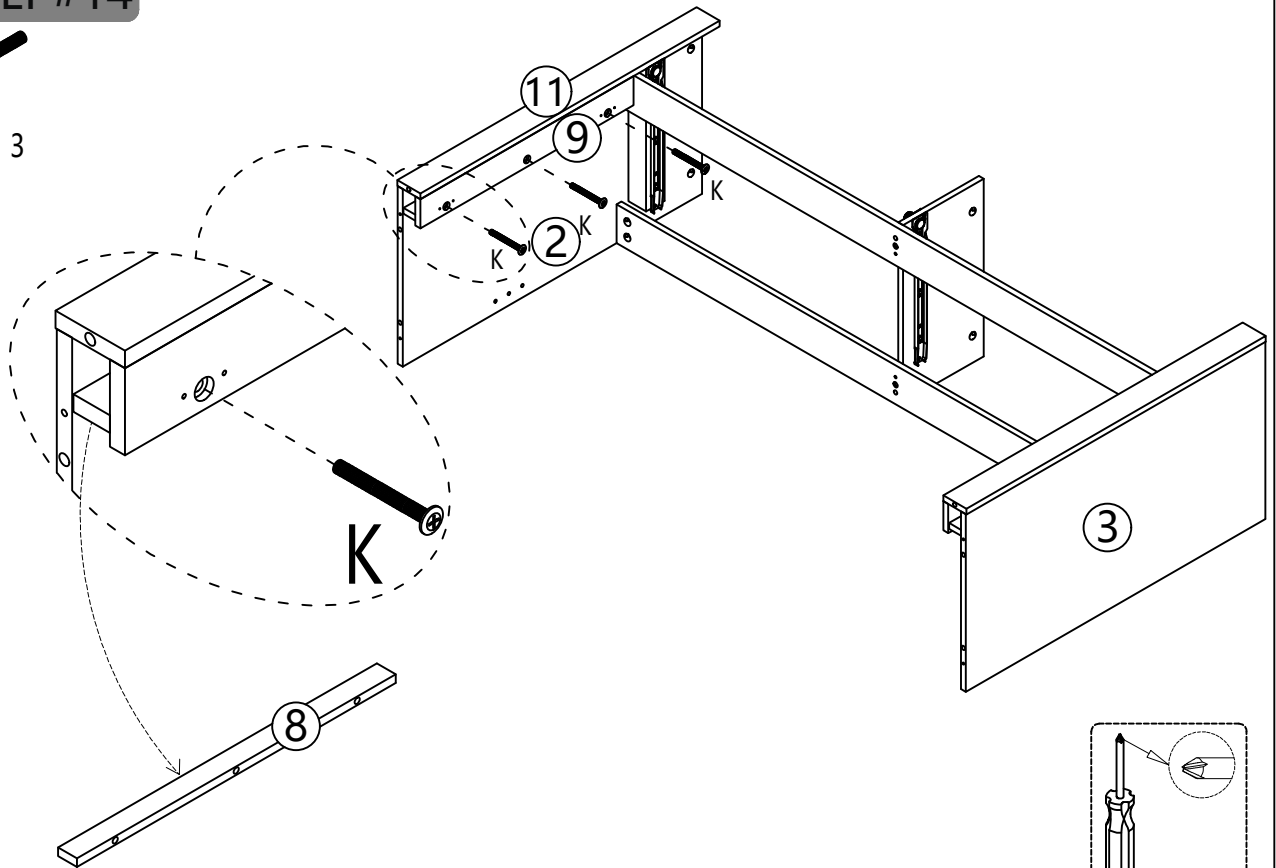
C x 2



STEP#14



K x 3



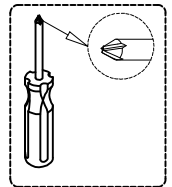
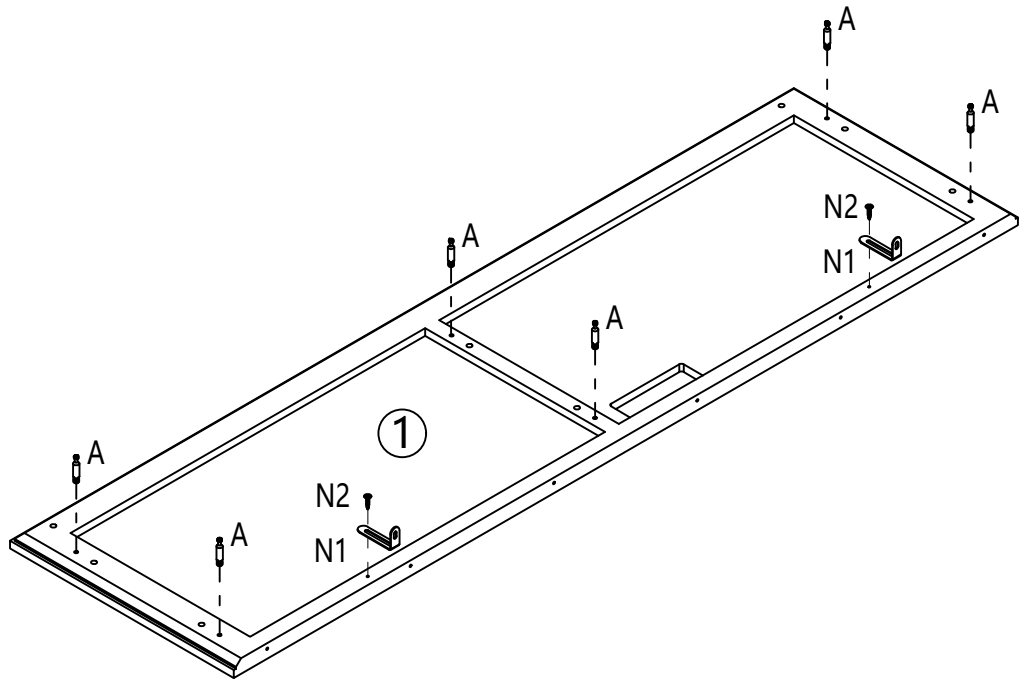
STEP#15



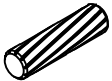
A x 6



N2
N x 2



STEP#16



C x 8



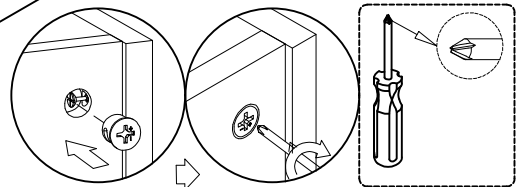
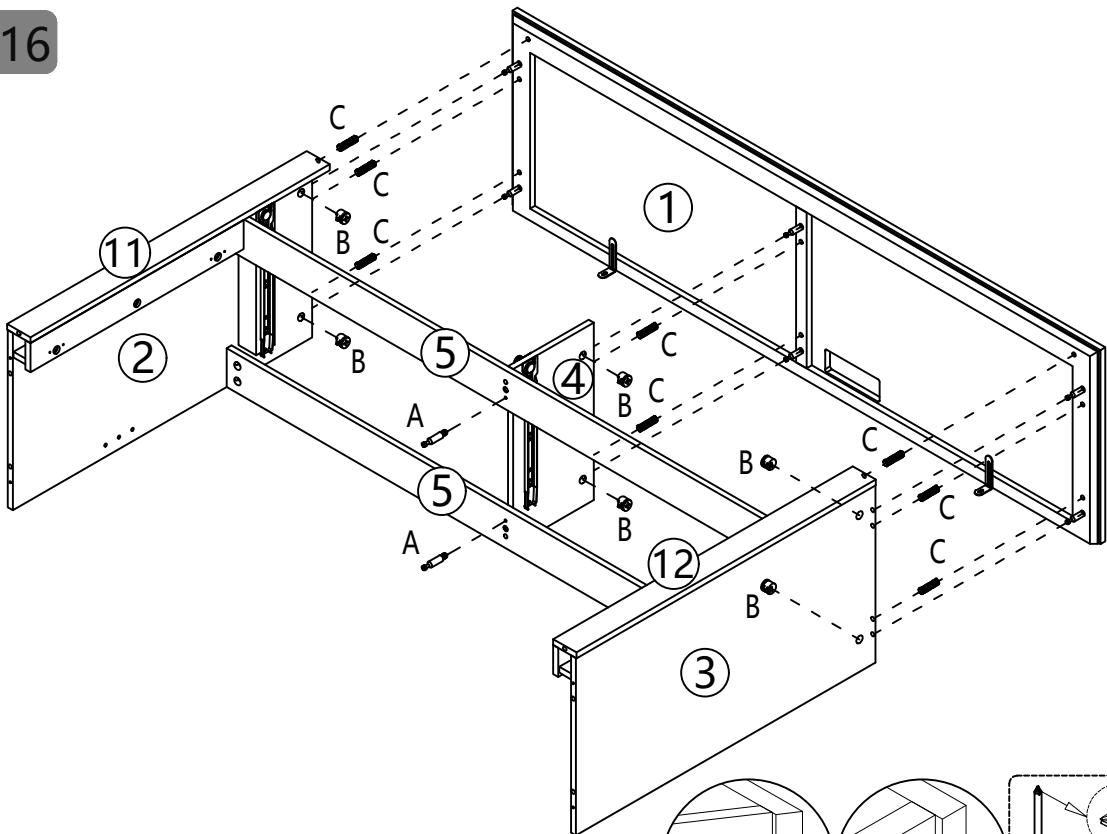
B x 6



J x 6



A x 2



STEP#17



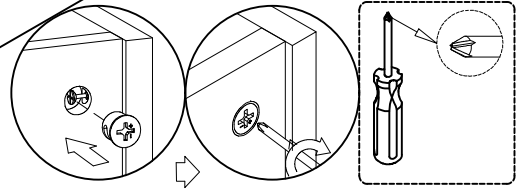
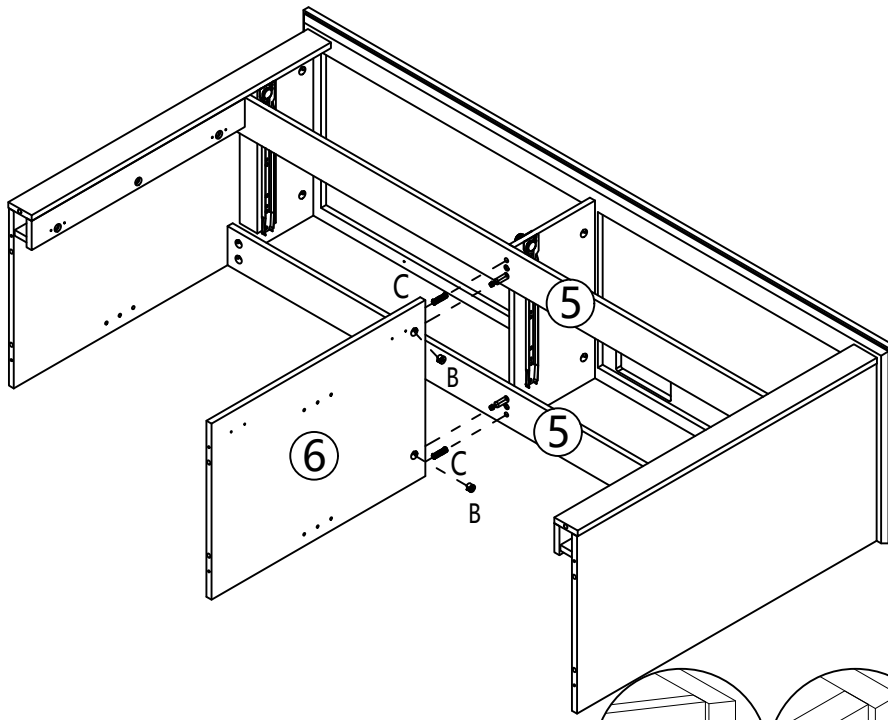
C x 2



B x 2



J x 2



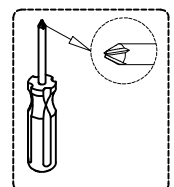
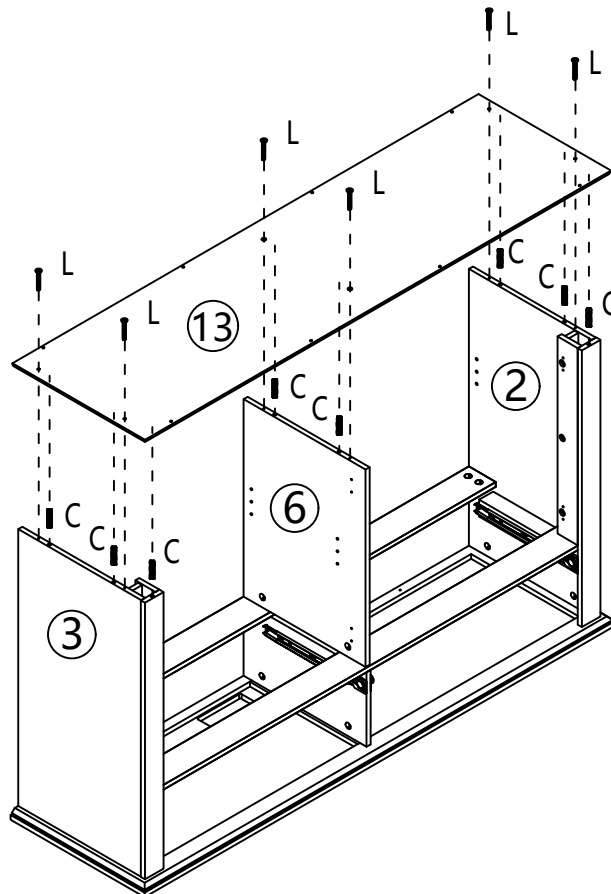
STEP#18



C x 8



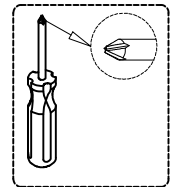
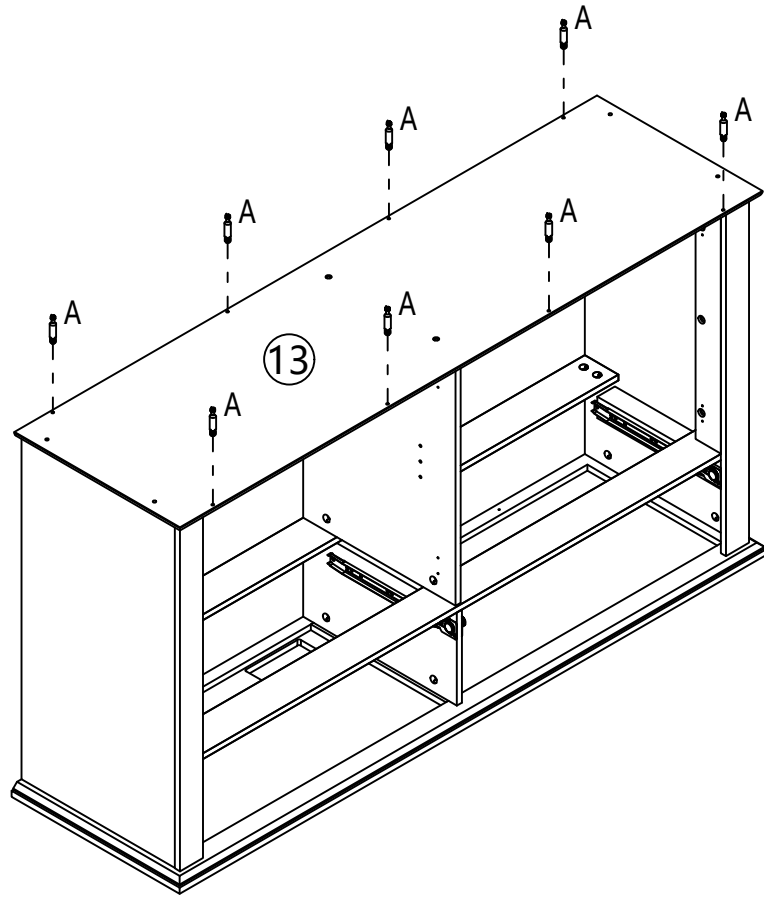
L x 6



STEP#19



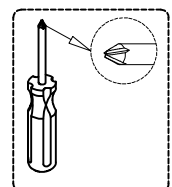
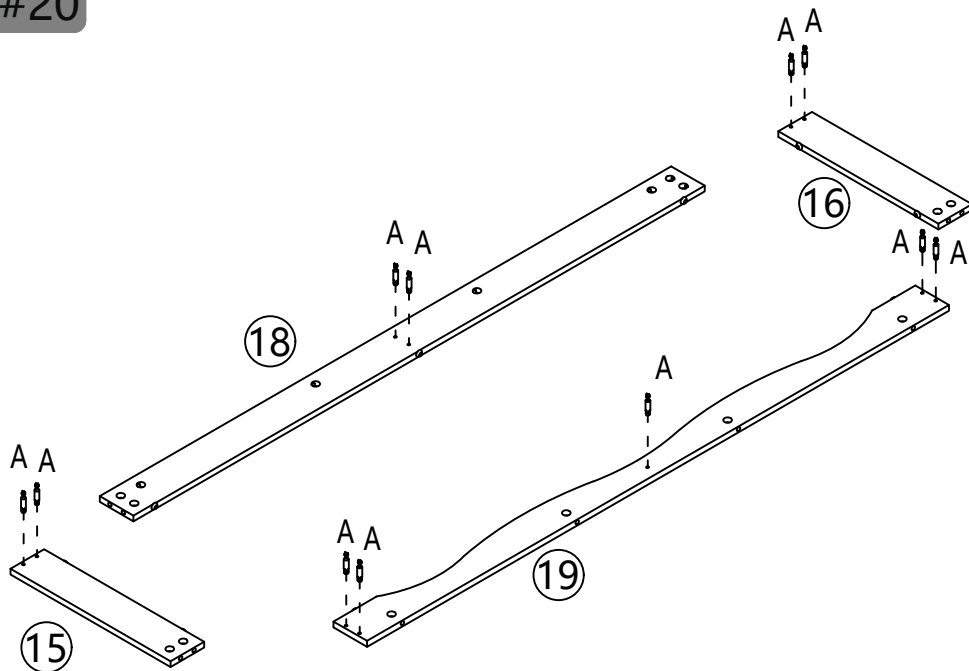
A x 8



STEP#20



A x 11



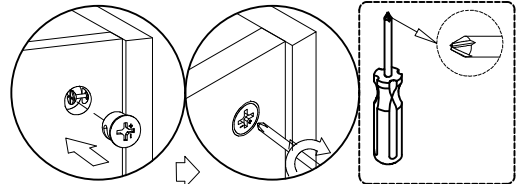
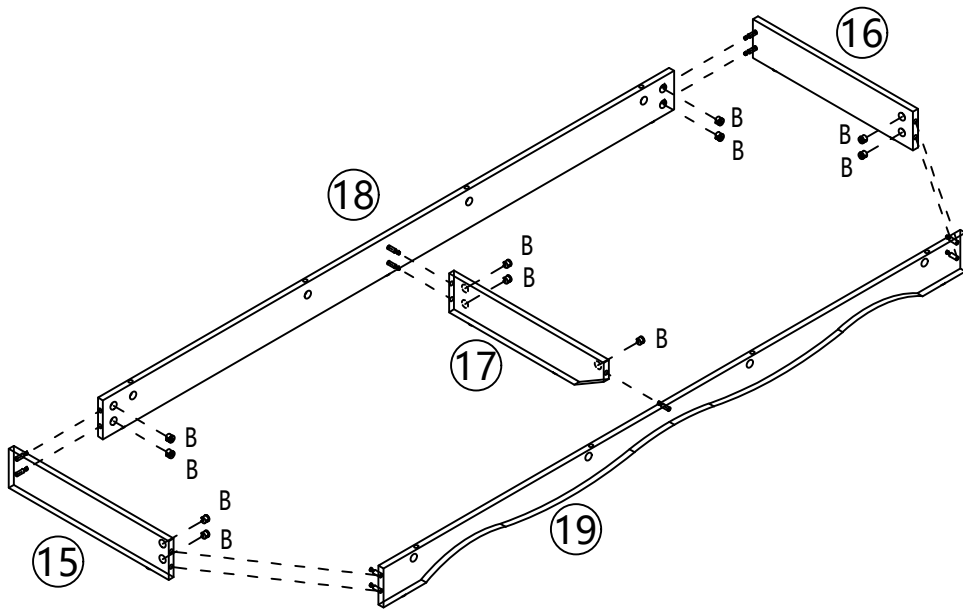
STEP#21



B x 11



J x 11



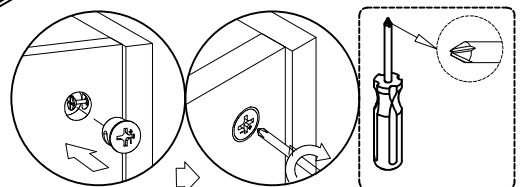
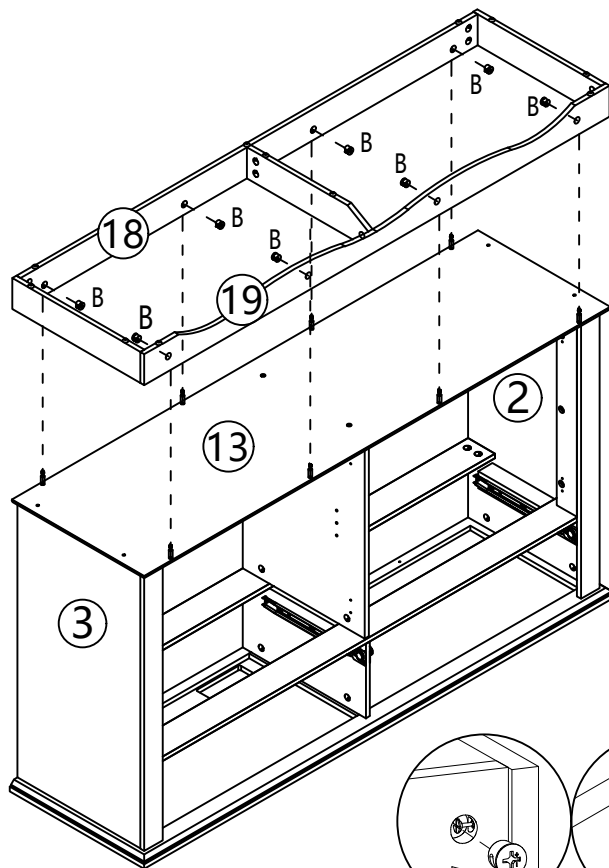
STEP#22



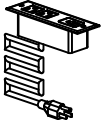
B x 8



J x 8



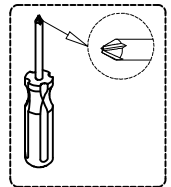
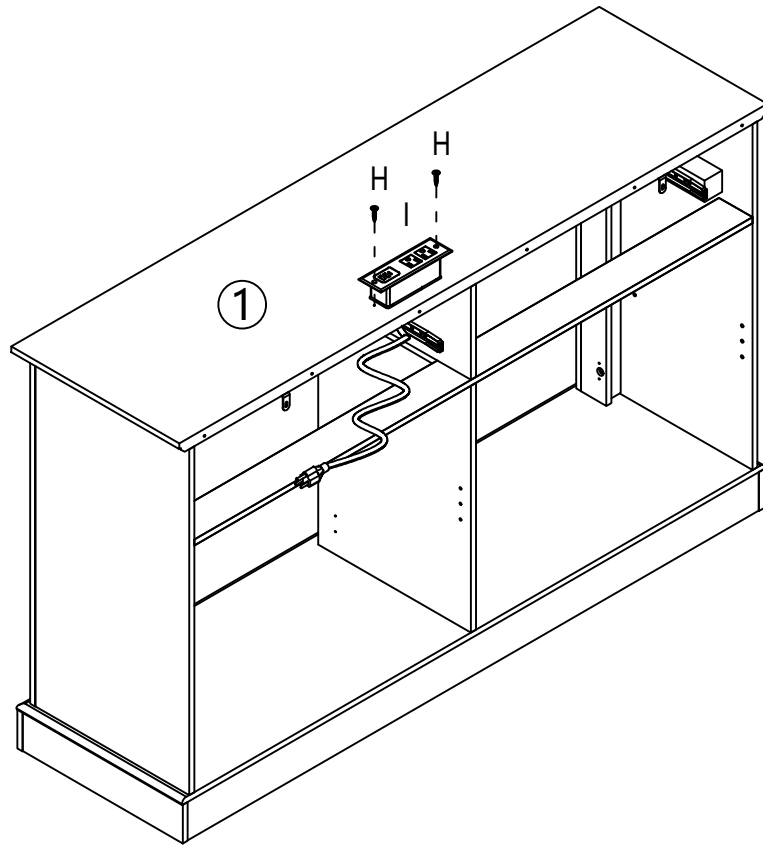
STEP#23



I x 1



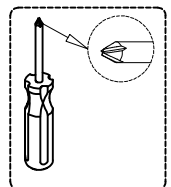
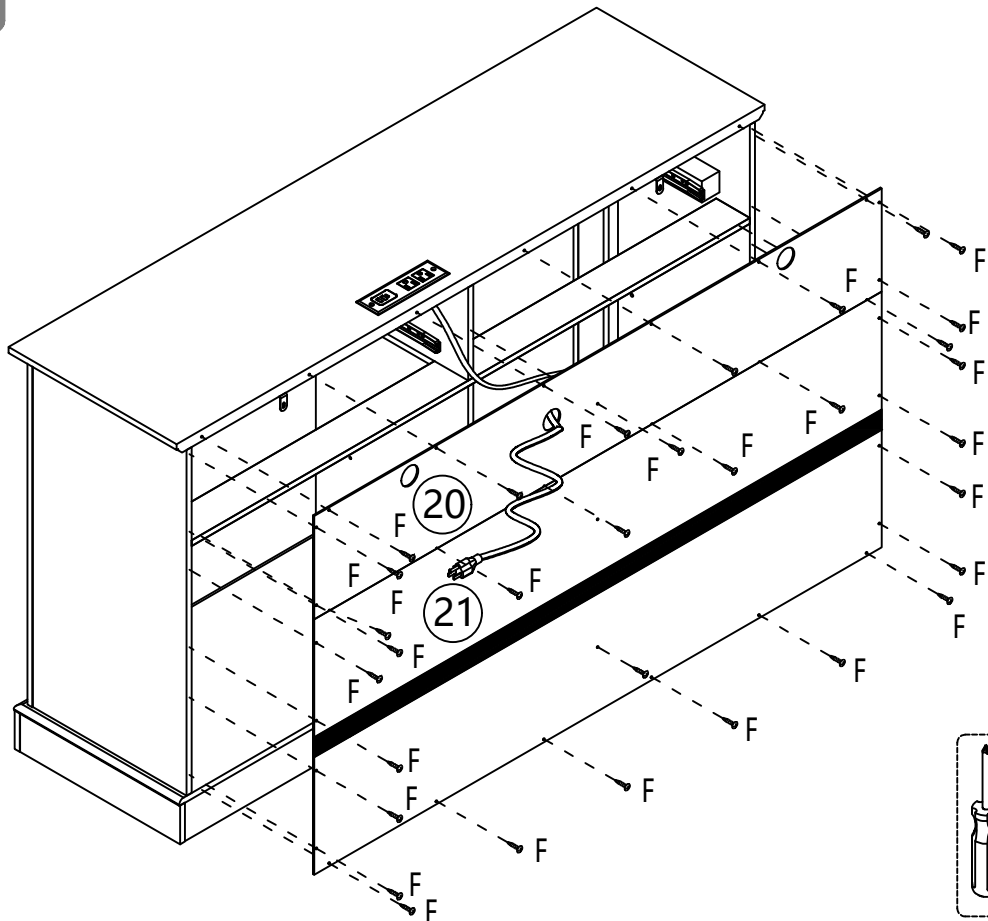
H x 2



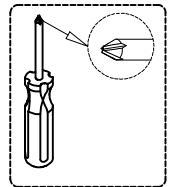
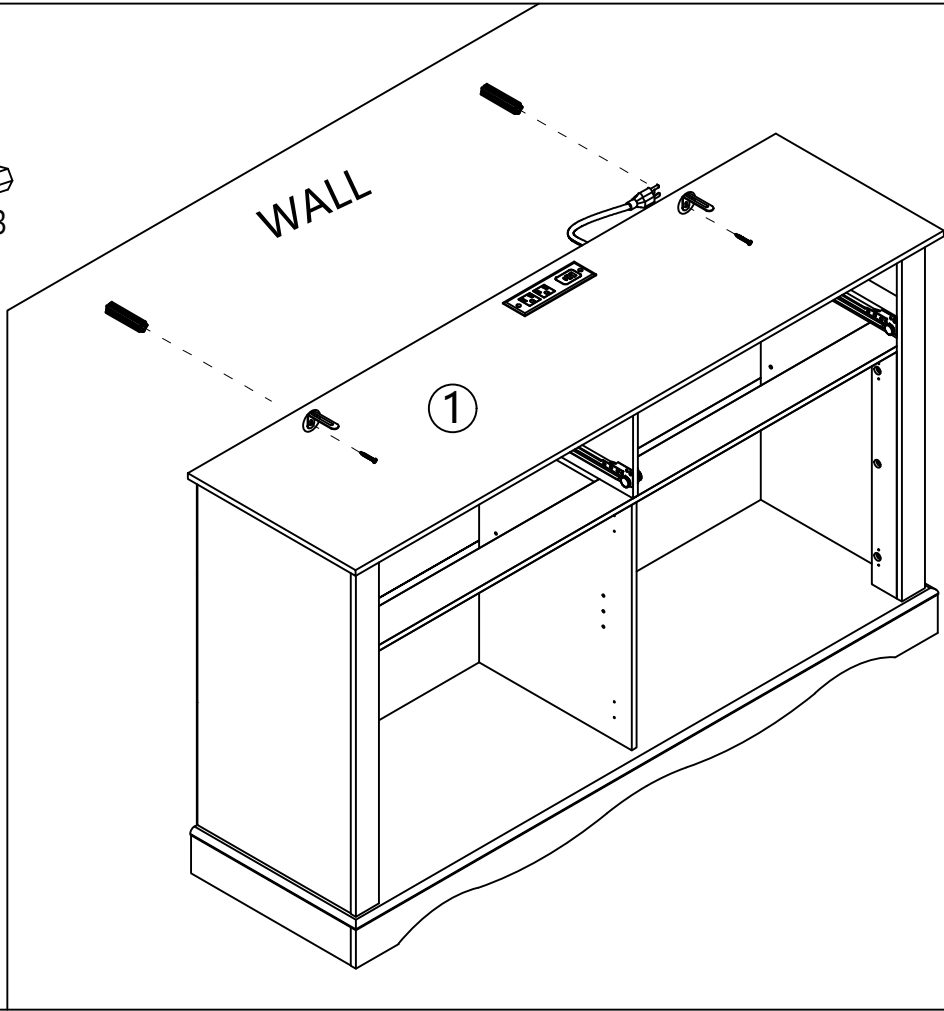
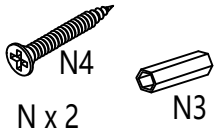
STEP#24



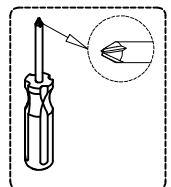
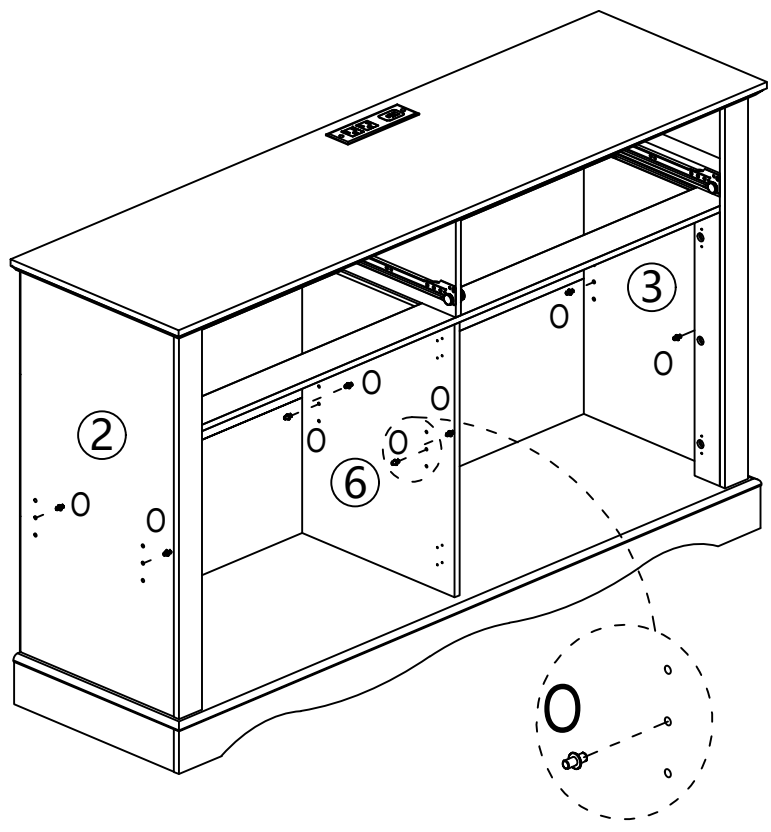
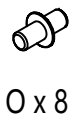
F x 33



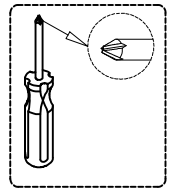
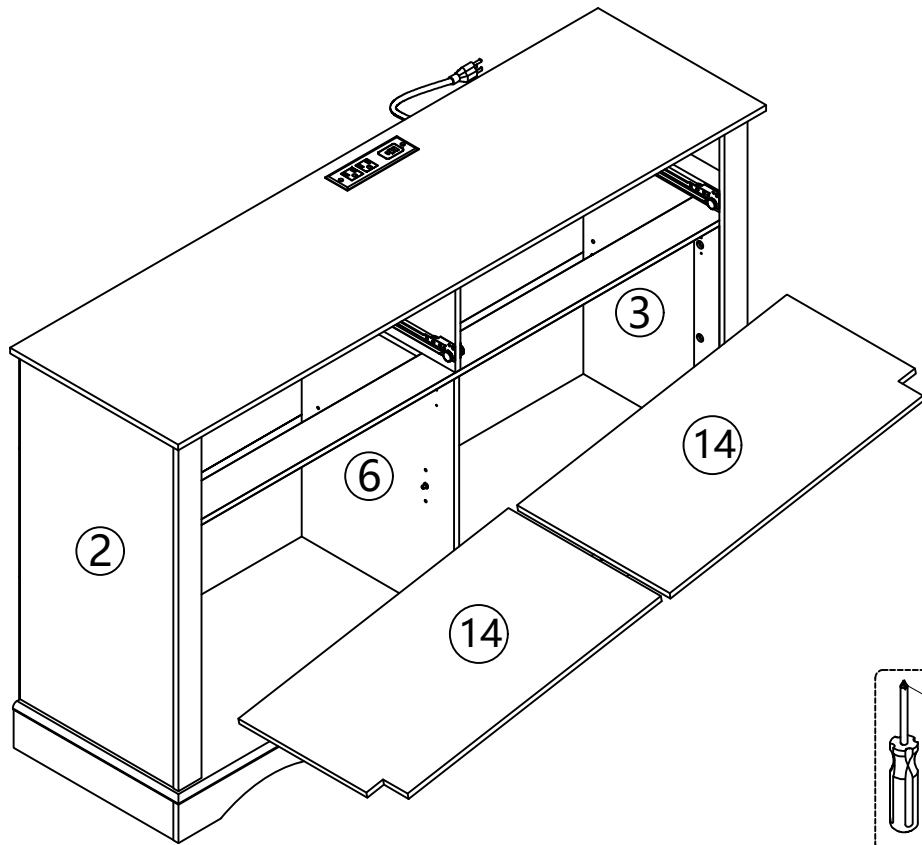
STEP#25



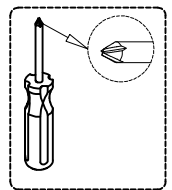
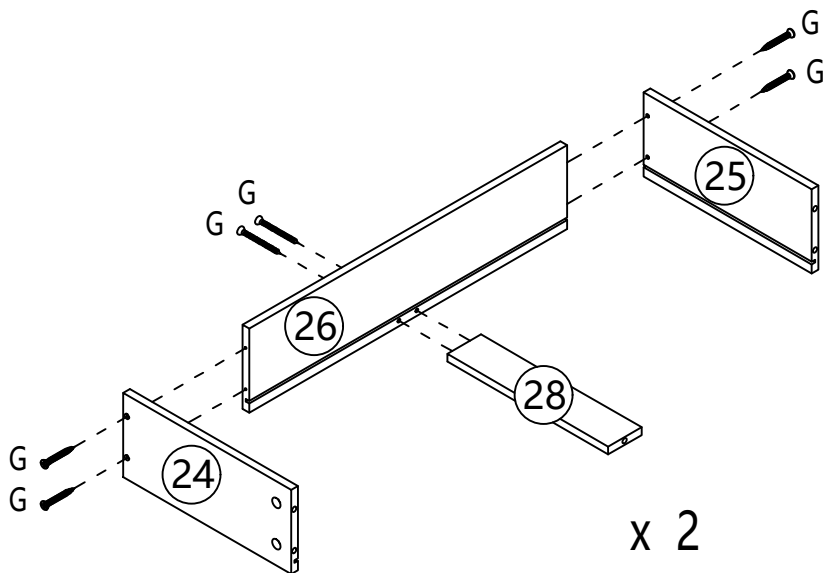
STEP#26



STEP#27



STEP#28



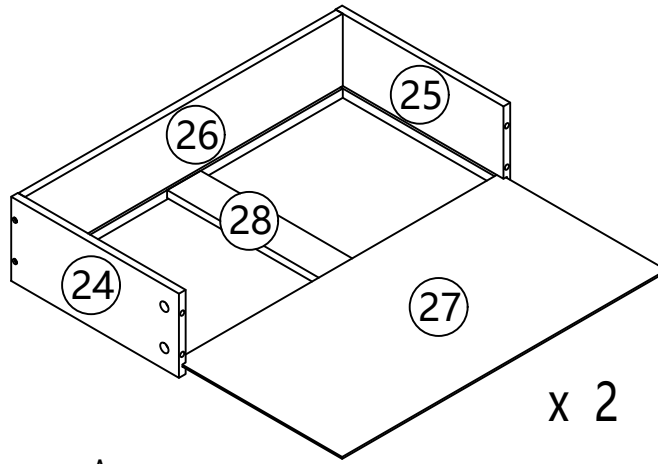
STEP#29



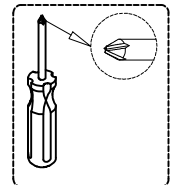
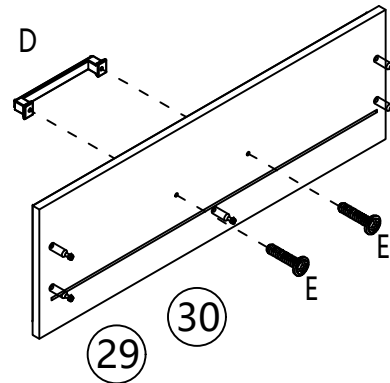
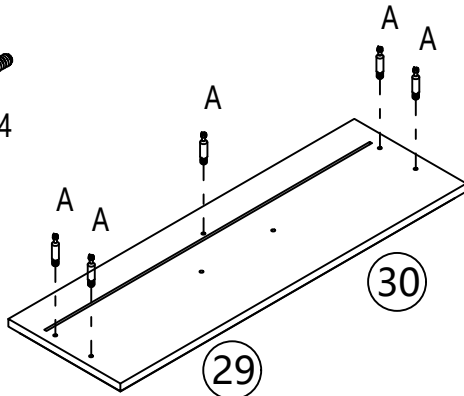
A x 10



D x 2



E x 4



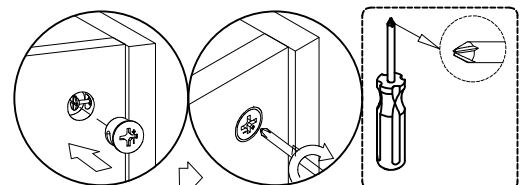
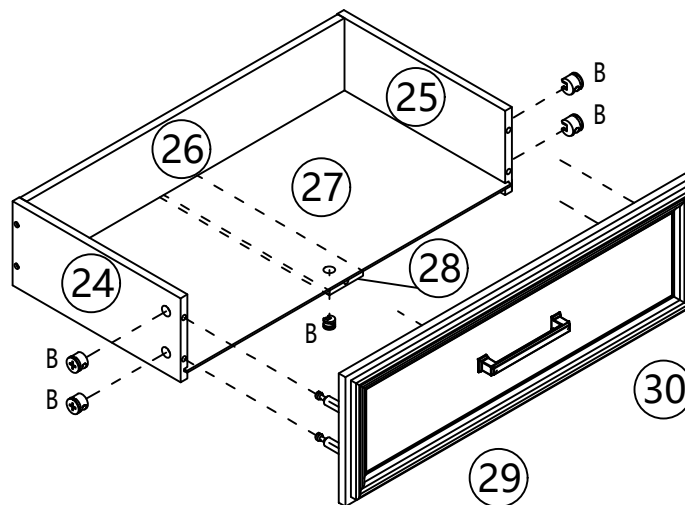
STEP#30





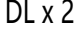
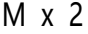
B x 10

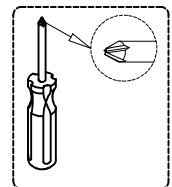
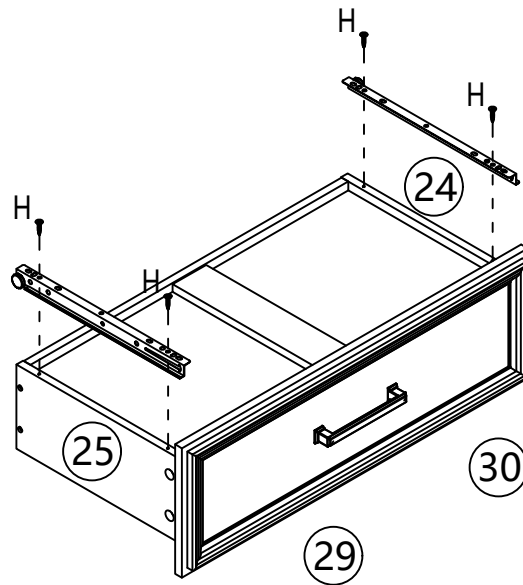


J x 10

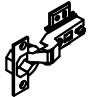




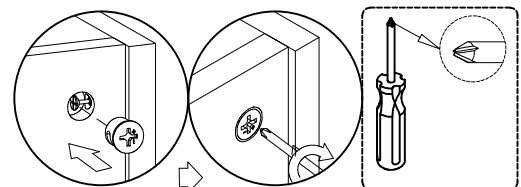
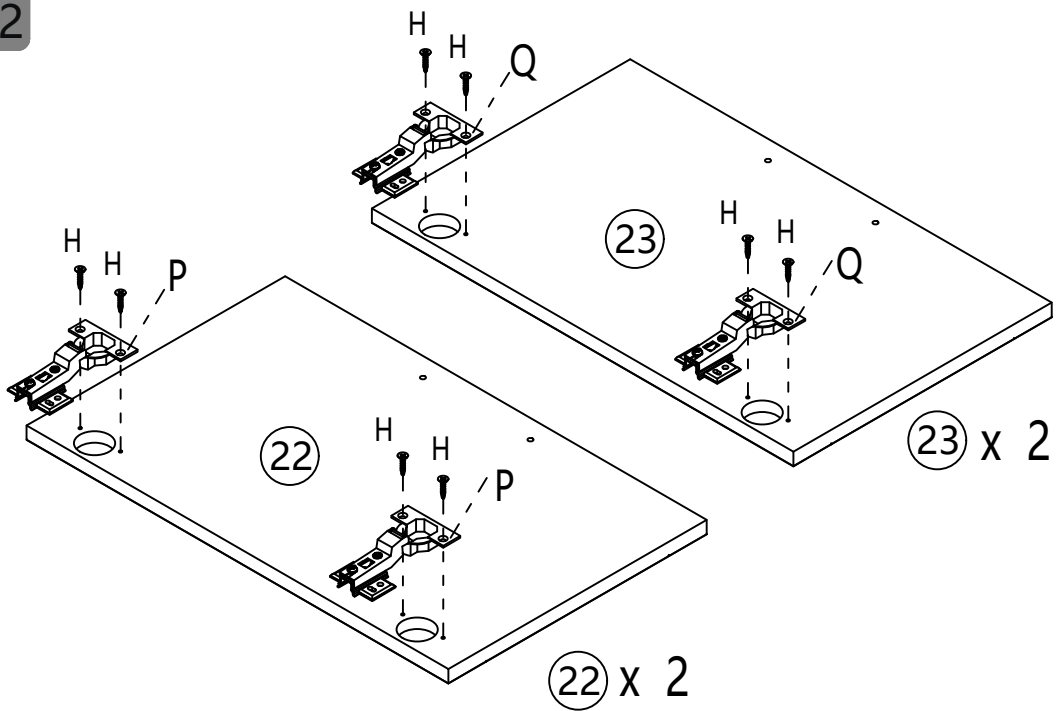
STEP#31

-  H x 8
-  DR x 2
-  DL x 2
-  M x 2



STEP#32

-  P x 4
-  Q x 4
-  H x 16



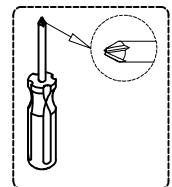
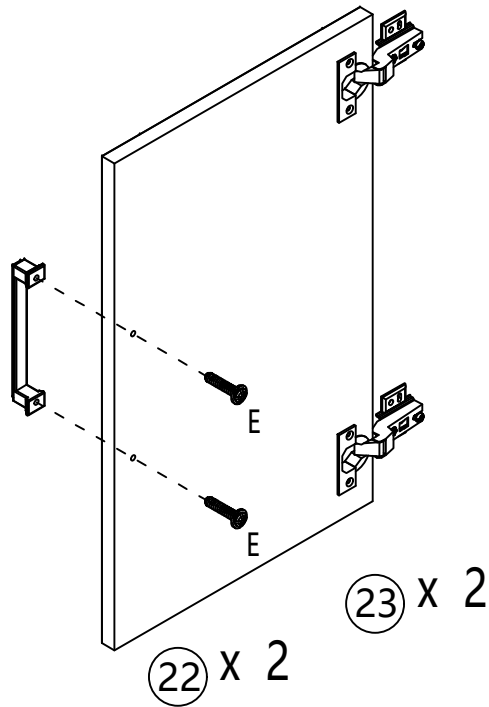
STEP#33



D x 4



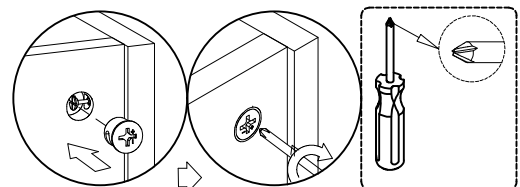
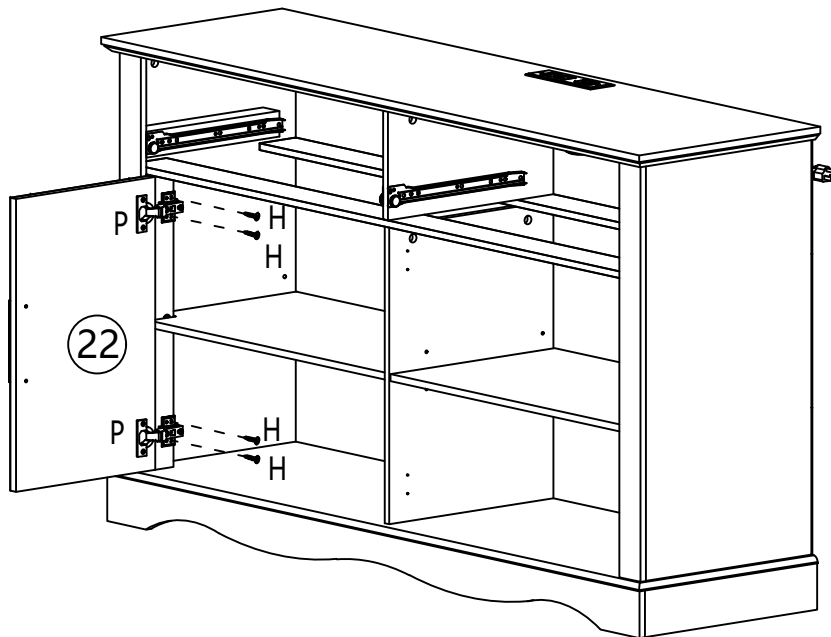
E x 8



STEP#34



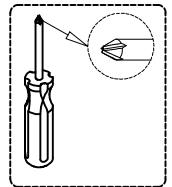
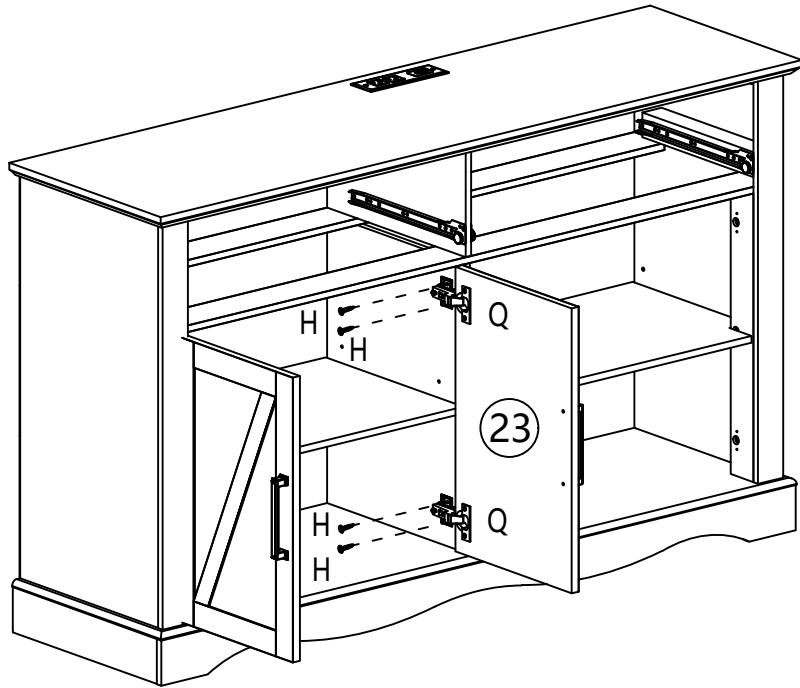
H x 4



STEP#35



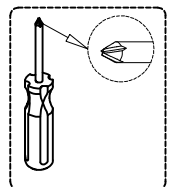
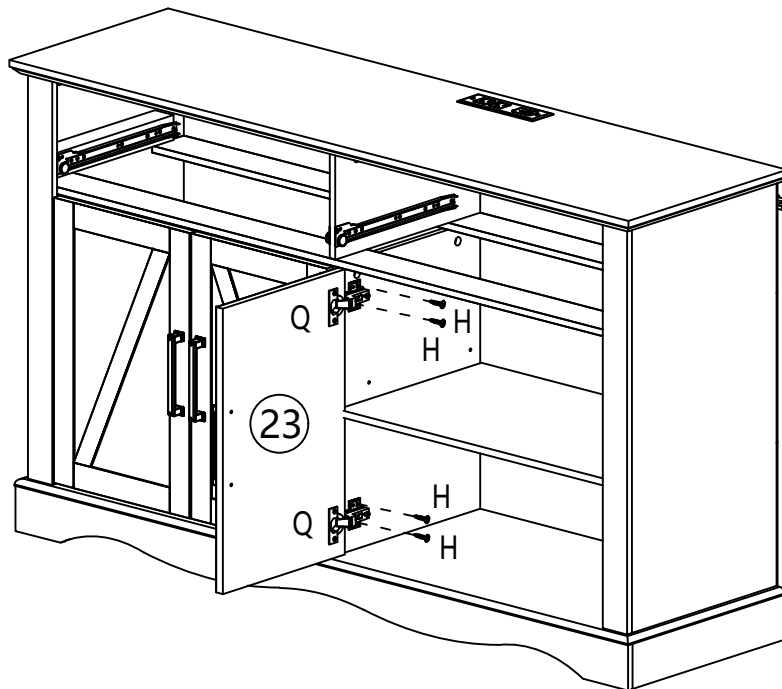
H x 4



STEP#36



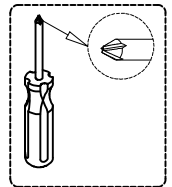
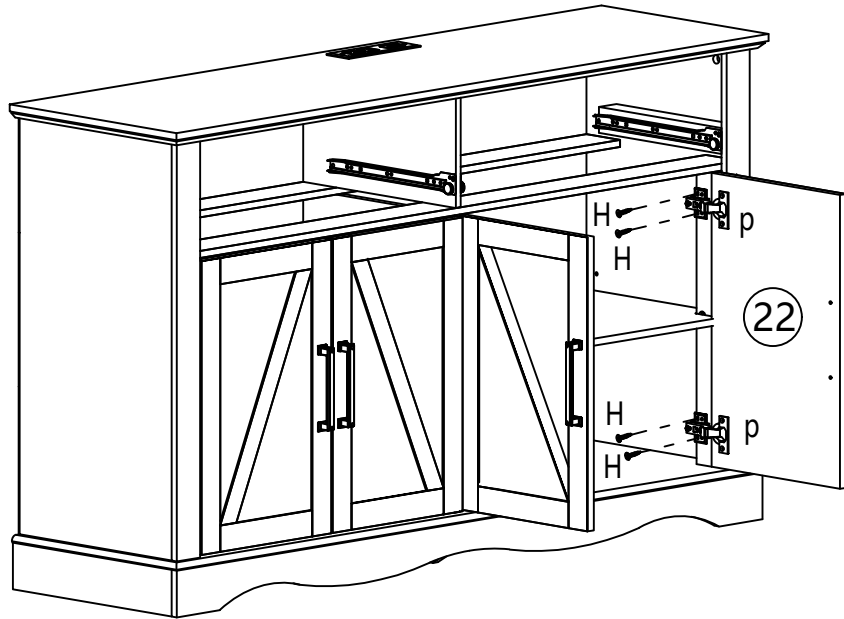
H x 4



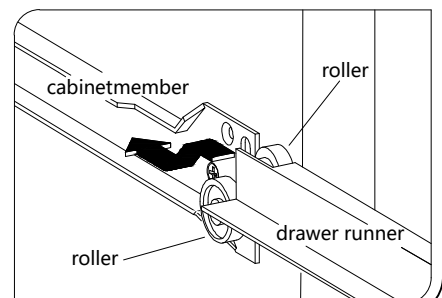
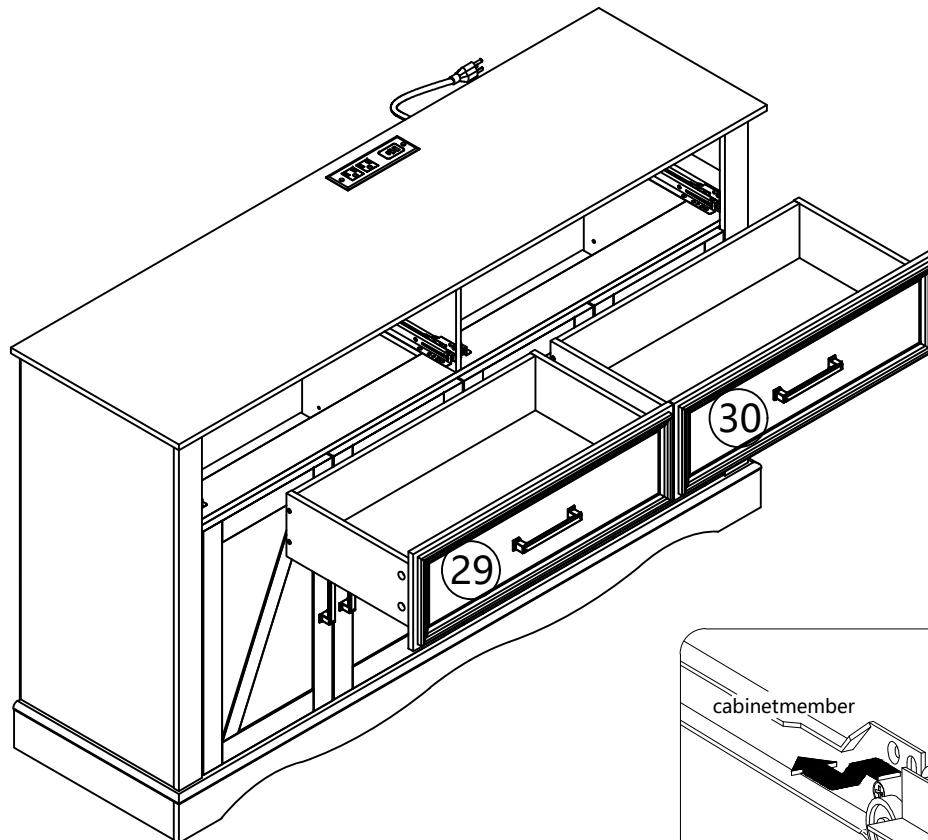
STEP#37



H x 4



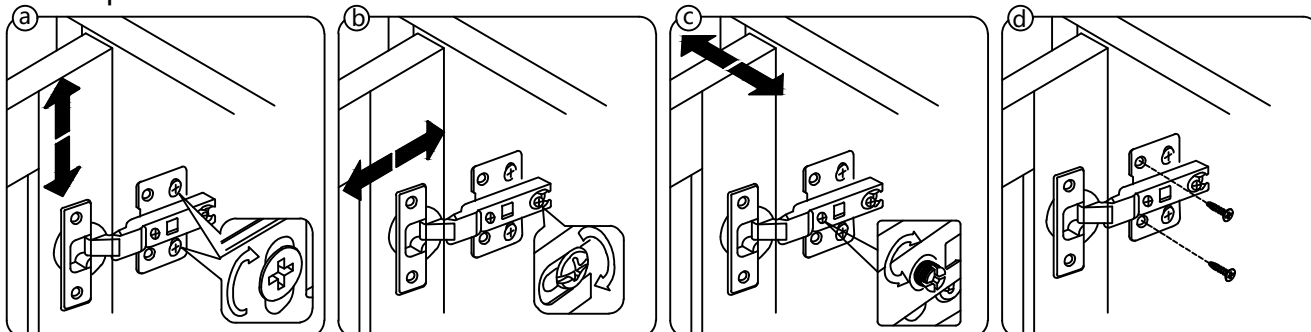
STEP#38



STEP#39

Assembly Steps(EN) / Montageschritte(DE)

When the hinges are installed, you can refer to the pictures to adjust crevice of the doors till it's perfect.



1. To adjust the doors up and down, please refer to step(a)
2. To adjust the distance between the doors and side panels, please refer to step(b)
3. To adjust the gap between two doors, please refer to step(c)
4. After the adjustment finished, please tight the screws, refer to step (d)

