

SS16425-1

for 10×10 Gazebo

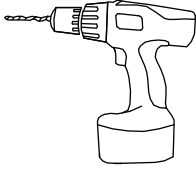
This setup includes Curtains and Mosquito Netting

Requiring you to drill holes in your existing gazebo

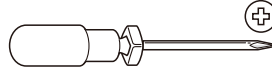
This setup includes curtains and mosquito netting, requiring you to drill holes in your existing gazebo.

If any damage occurs during installation, contact us.

Please prepare below tools before installation. (Not Included)



Electric Screwdriver



+ Manual Screwdriver



Ladder

ATTENTION

1. Please note, if you find any damage to the package upon receipt, resulting in the loss of internal components or external damage, contact us. **We will be responsible for any damage caused during transportation.**
2. Ensure that you install this configuration only after the **gazebo is fully assembled**. If you haven't received the necessary parts, contact us to inquire about the package status. **We will respond within 24 hours.**
3. **Handle each part of the gazebo with care**, as many components have sharp edges.
4. **DO NOT** attempt to assemble the gazebo until all parts have been confirmed to be complete and match the parts list. Partially assembled structures may be severely damaged by light winds.
5. **DO NOT** attempt to assemble the gazebo on windy days, as it can make the process difficult and unsafe. Pay close attention to weather conditions.
6. **Keep children and pets away** from the assembly area during construction and until the gazebo is fully assembled to avoid distractions and potential accidents.

ASSEMBLY

The best location is a flat area.

Ensure there is adequate space around the gazebo to access the roof with a ladder.

TEAMWORK : Two or more people are required to assemble the structure.

CARE & MAINTENANCE

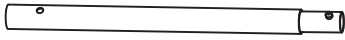
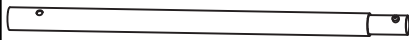
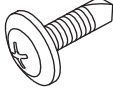

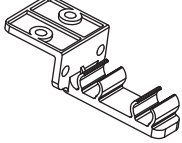
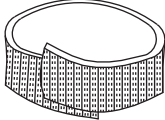
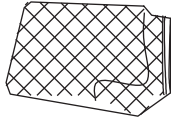

1. The curtains and mosquito netting are removable and machine-washable.
2. Combustibles and corrosive materials must be stored in sealed containers specifically designed for chemical and/or combustible storage.

Rust Protection Precautions

Avoid scratching or scraping the coating surface inside and out.

PLEASE KEEP THIS INSTRUCTION MANUAL FOR FUTURE REFERENCE.

Parts List

H2 X10 	H3 X20 	V2 X36  Screws	V3 X72  Hooks
V4 X9 	V5 	CC1/CC2/CC3/CC4  Mosquito nets	NN1/NN2/NN3/NN4  Curtains

To Every Customer Who Has Purchased Our Gazebos

Before you begin the installation, please take a few minutes to carefully read the following important notes and be aware of your rights and entitlements.

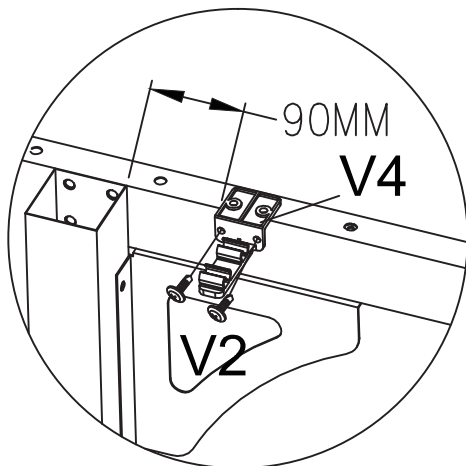
Some of Your Concerns:

1. Please note that if you find any damage to the package upon arrival, resulting in loss of internal components or visible damage, please contact us. We will take responsibility for any damages caused during transportation.
2. Please ensure that you begin installation after receiving both boxes of the package. If not, please contact us to inquire about the corresponding package status, and we will respond within 24 hours.
3. Product stability has been tested: the product can withstand winds of approximately 40-60 mph and a static pressure test of 6.5 lbs per square foot after correct installation and fixation. (Snow accumulation of about 7 inches in thickness will not pose a threat to the product.)
4. If you have any questions regarding accessory defects, product use, or product installation, please feel free to contact us. We have simple installation videos available for you.

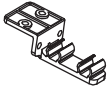

Some Precautions:

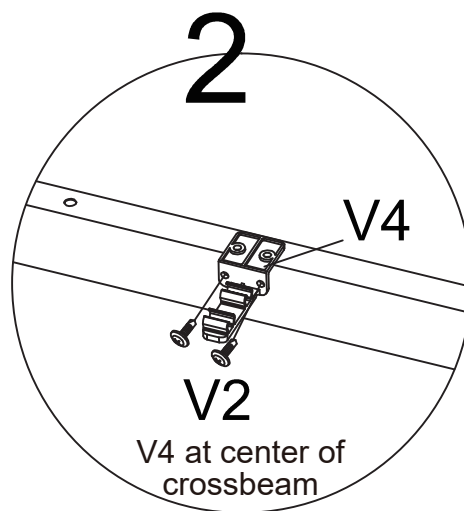
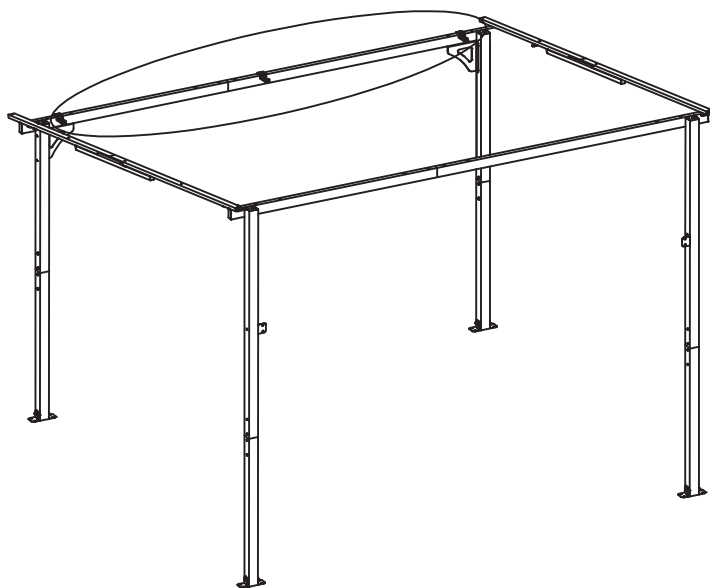
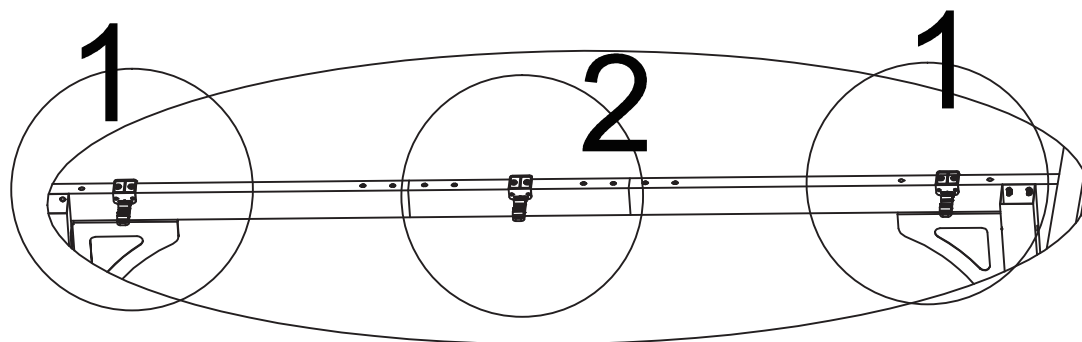
1. Please use the tools we provide to secure the gazebo to the wall to ensure stability.
 *Please purchase matching ground stakes for securing the product to the ground according to the installation area you plan. If you are unsure about how to choose, please let us know.
2. Please tighten the screws after ensuring that all screw holes have been properly inserted to avoid uneven hole alignment.
3. Please use a ladder when installing the top part.
4. Keep children away during the installation process, as the product contains small parts that could be swallowed.
5. Do not choose to install the product in strong winds or severe weather conditions.

Please note the numbers indicated in the manual, and make sure to follow the installation sequence accordingly.



FRONT SIDE

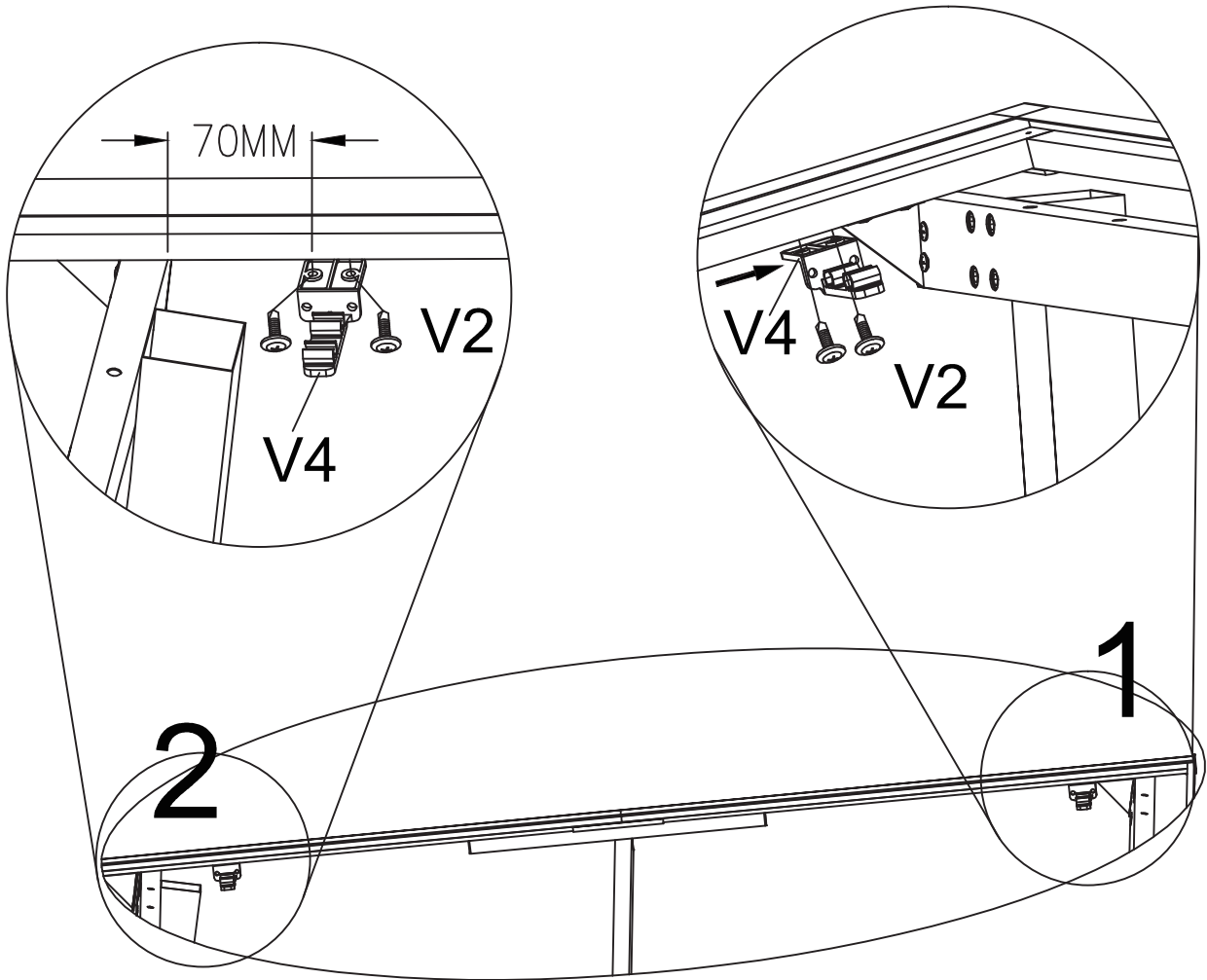
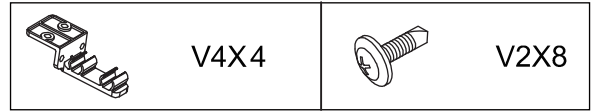
	V4X3
	V2X6



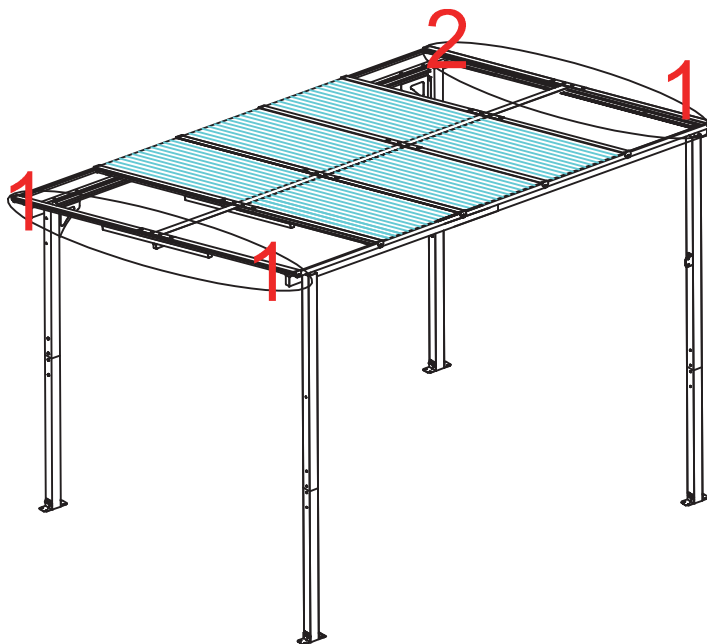
Please note the **designated clearance** we've marked.

TIPS: You can **first use a ruler to measure the distance**, mark it with a pen, and then install the rail.

Installation method for polycarbonate roofing



LEFT & RIGHT

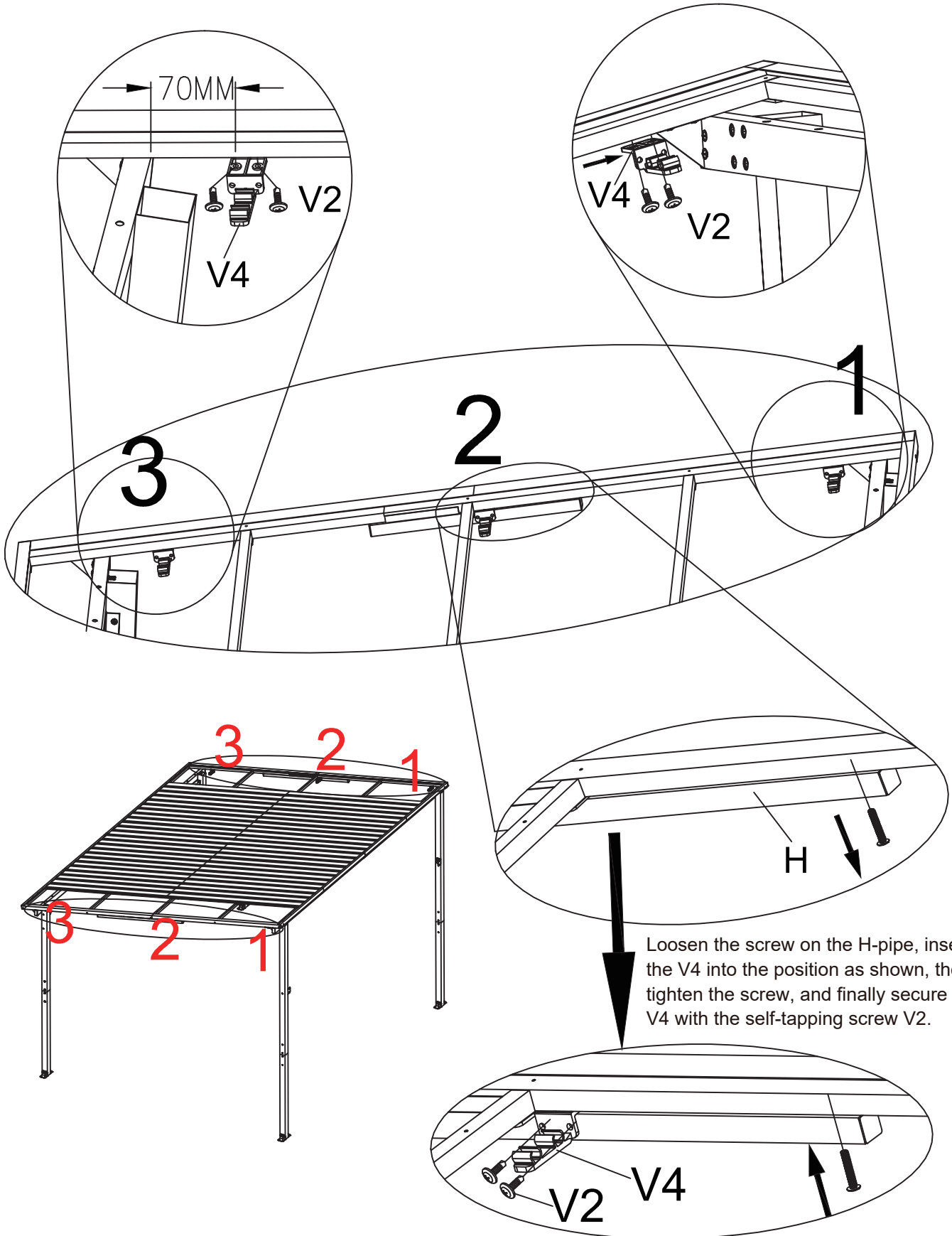


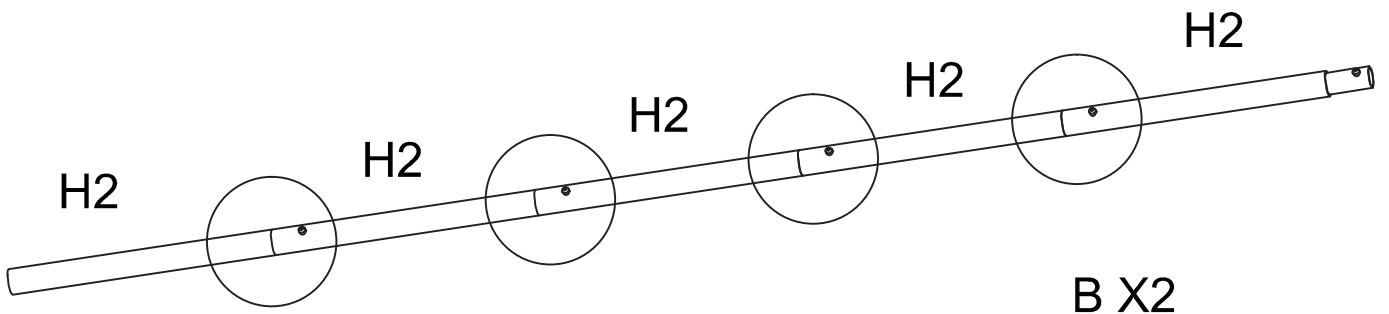
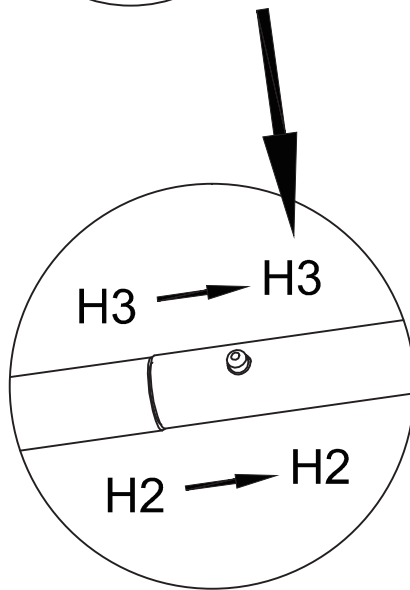
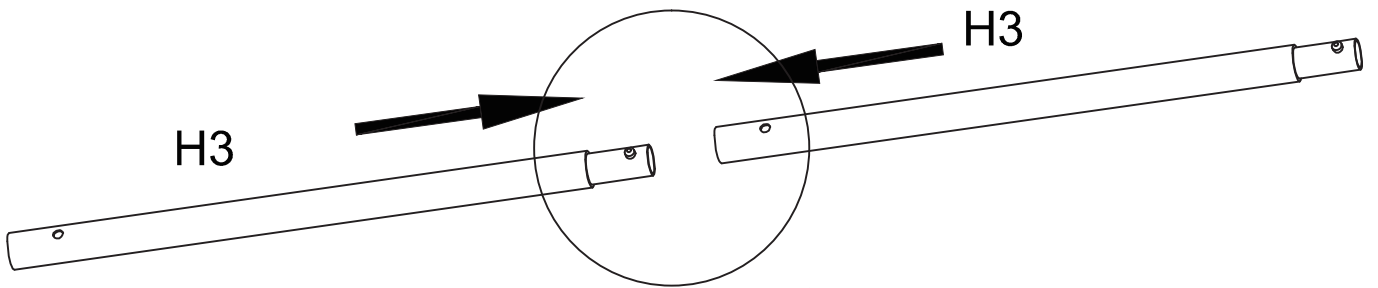
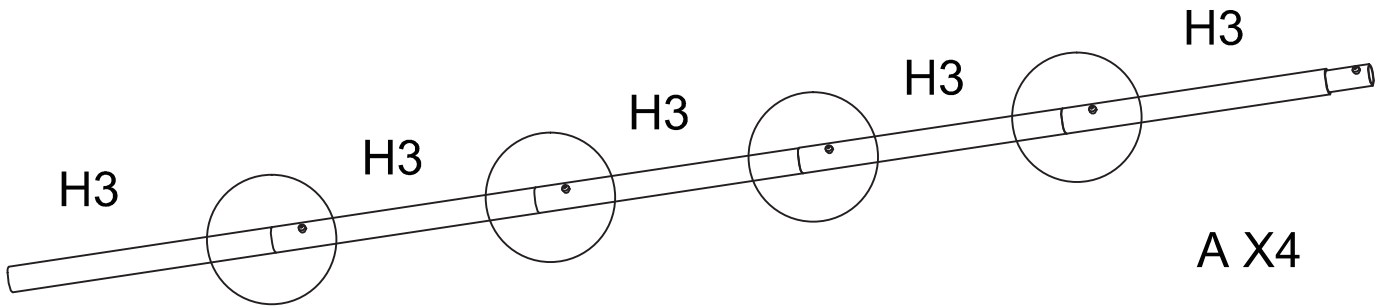
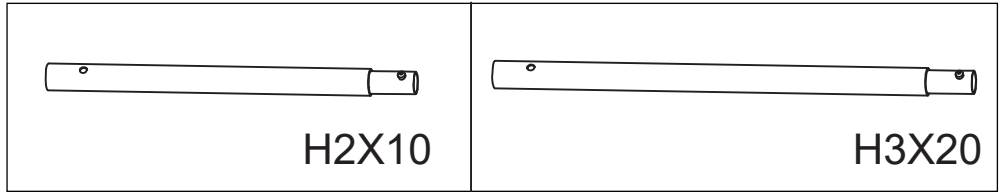
Please note the **designated clearance** we've marked.


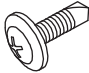
TIPS: You can **first use a ruler to measure the distance**, mark it with a pen, and then install the rail.

Installation method for metal roofing

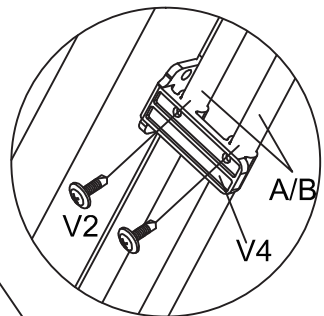
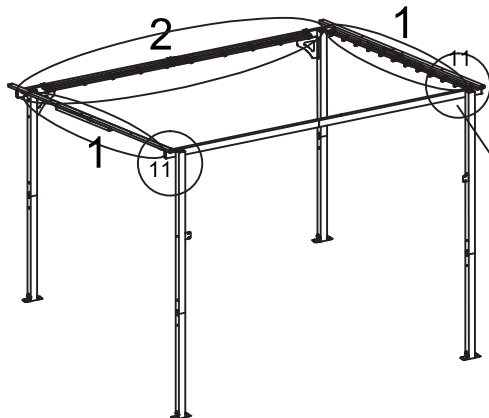
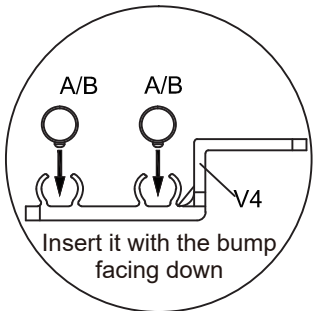
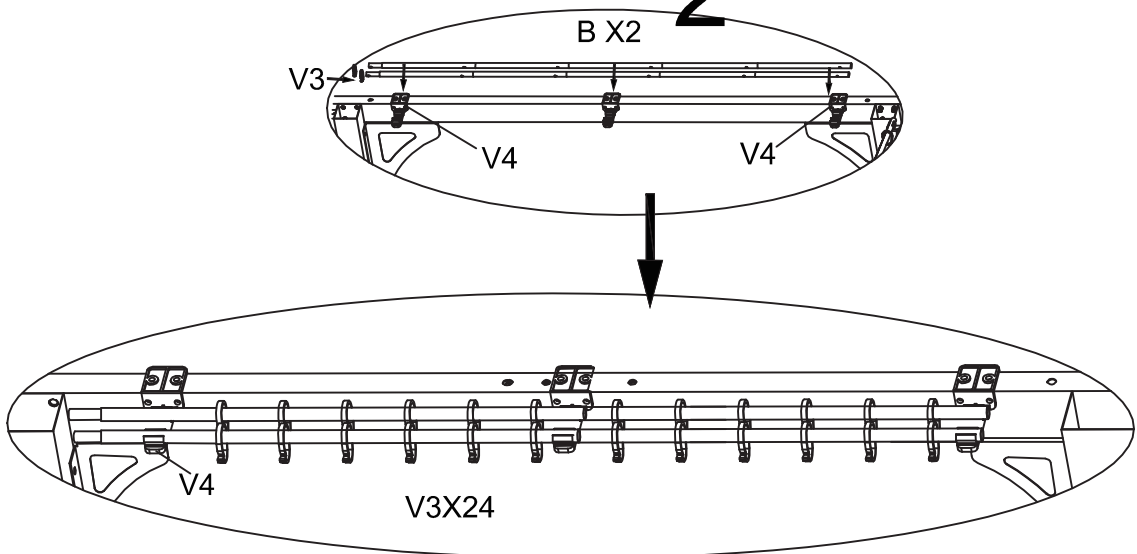
	V4X6		V2X12
---	------	---	-------



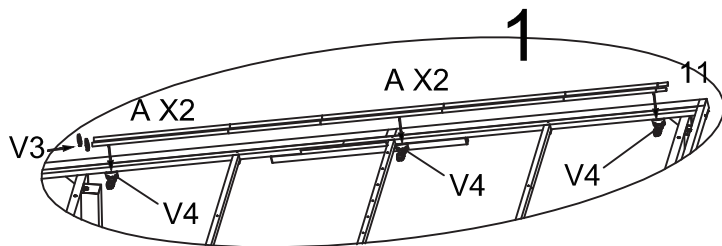


	V3X72		V2X18
---	-------	---	-------

2

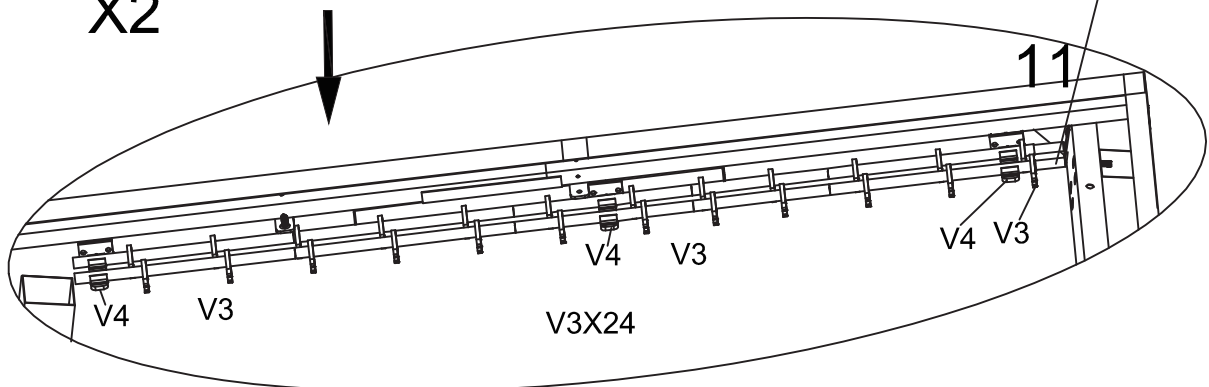


For a fully secured pipe, fix with screw V2 as shown.



Place the small end of the 11-end tube flush against the crossbeam.

X2

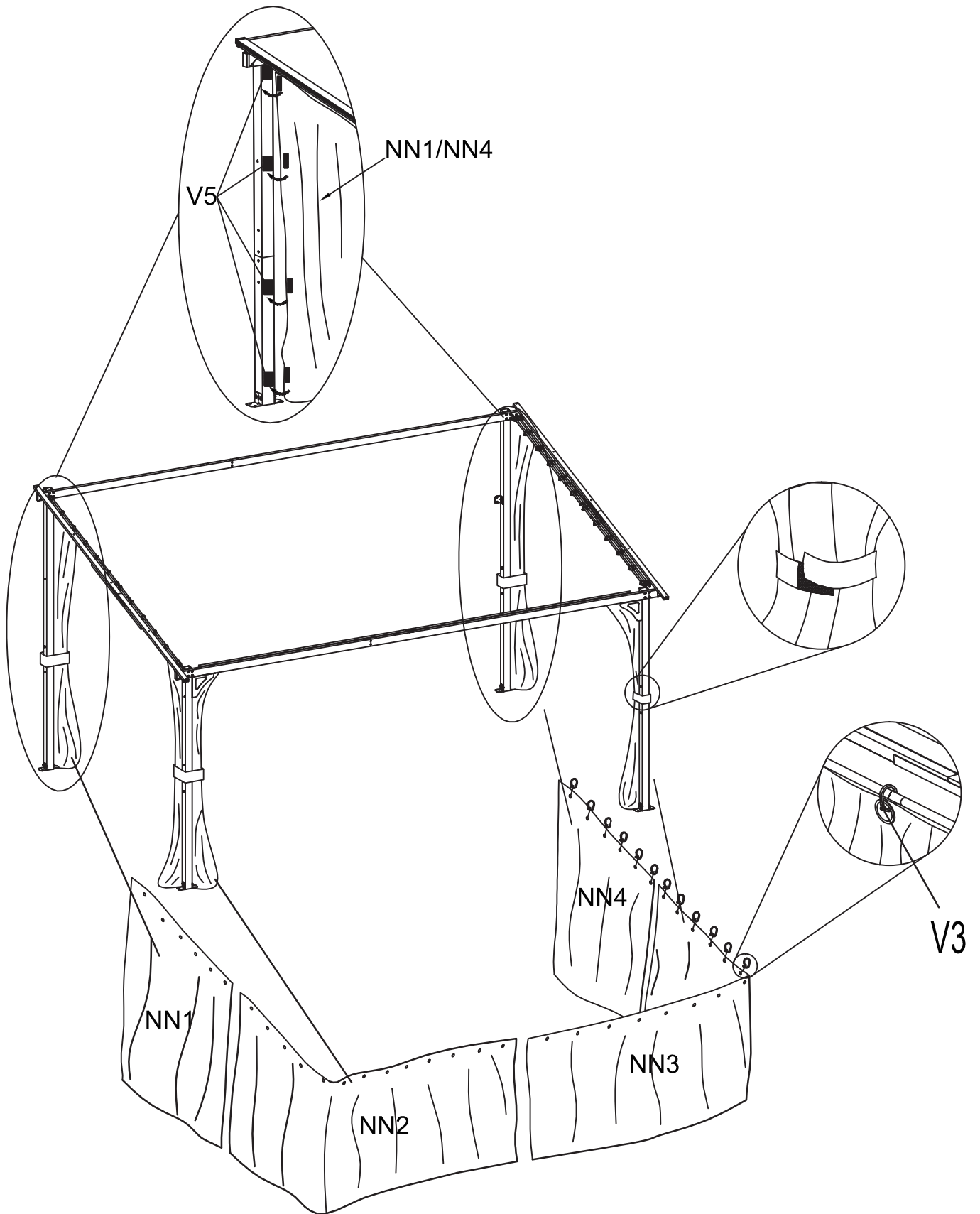


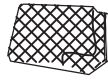


NN1/NN2/NN3/NN4



V5





CC1/CC2/CC3/CC4

