

PROJECT INFORMATION			
JOB NAME		TYPE	
ORDERING CODE			

## GX15

### 3" Spot / Pendant / Surface



#### FEATURES

- 3" round cylinder
- 1500 lm
- 90+ CRI
- Track, canopy, surface or pendant mount
- Black or white matte finish

#### MOUNTING

- ECO track / HALO® Power Trac Track, Juno® track, and Lightolier®
- Monopoint with field cuttable stem
- Surface mount or field adjustable flexible cord pendant mounting option
- ECOH or ECOJ pendant mount option

#### ELECTRICAL/CONTROLS

- 120Vac, 50-60Hz input, 17W
- Phase dimmable
- Leading and trailing edge (Triac/ELV) dimming to 5%
- 350° rotation, 90° tilt

#### LISTING

- ETLus Listed to UL1574 (track suitable for dry locations only)
- cETL Listed to CSA C22.2 #9.0

#### LED INFO

- LED: Luminus CXM-9
- SDCM: 3-step MacAdam Ellipse
- Lumen Maintenance: L<sub>70</sub> > 55,000 hrs

#### ORDERING CODE

SERIES	GX15		
<b>DELIVERED LUMENS</b>	<b>15LM</b>	<b>1513 LM</b>	Calculated Delivered Lumens = [Delivered Lumen Value] x [CCT Multiplier]
<b>CCT &amp; LM MULTIPLIER</b>	27K 30K 35K 40K	2700K 3000K 3500K 4000K	(0.98) (1.00) (1.02) (1.03)
<b>CRI</b>	90	90 CRI	
<b>OPTICS &amp; LM MULTIPLIER</b>	20D 35D 50D	20 degrees 35 degrees 50 degrees	(0.95) (0.98) (1.00)
<b>VOLTAGE</b>	120	120V	
<b>DIMMING</b>	ELV	leading and trailing edge (Triac/ELV) dimming to 5%	
<b>MOUNTING OPTION</b>	P MP S LGTR <sup>1</sup> ECOH ECOJ <sup>1</sup> ECOHP ECOJP <sup>1</sup>	pendant, 120" flexible cord monopoint canopy surface mount Lightolier - Track ECOH/HALO - Track ECOJ/JUNO - Track ECOH/HALO pendant, 120" flexible cord ECOJ/JUNO pendant, 120" flexible cord	
<b>FINISH</b>	BK WH	black white	
<b>ACCESSORIES</b>	See the last page for details.		

#### ORDERING CODE

Follow the steps to specify your fixture, example:  
**GX15 - 15LM - 30K - 90 - 35D - 120 - ELV - ECOH - BK**

#### NOTES

1. Adaptor designed with adjustable conductor for 2 circuit (J and L Type) tracks.

## PROJECT INFORMATION

JOB NAME		TYPE	
ORDERING CODE			

## PHOTOMETRIC DATA

15LM CCT MULTIPLIERS	
	90CRI
2700K	0.97
3000K	1.00
3500K	1.02
4000K	1.05

FC Formula = CBCP / Distance<sup>2</sup>

20D 21.2° NO ACCESSORY	
Throw Distance (ft)	Beam Diameter (ft)
6	1.71
8	2.2
10	2.7
12	3.3
14	4.5
	5.2
Illuminance at Center (fc)	
WATTS: 16.5	LPW: 88.6
LUMENS: 1461	CCT: 3000K
INTENSITY	
DEGREE	CANDELA
0	6150
5	5330
15	1562
25	453
35	206
45	125

35D 32.7° NO ACCESSORY	
Throw Distance (ft)	Beam Diameter (ft)
6	1.97
8	2.7
10	3.5
12	4.7
14	5.9
	8.2
Illuminance at Center (fc)	
WATTS: 16.5	LPW: 91.3
LUMENS: 1507	CCT: 3000K
INTENSITY	
DEGREE	CANDELA
0	3478
5	3311
15	1930
25	801
35	261
45	97

50D 52.2° NO ACCESSORY	
Throw Distance (ft)	Beam Diameter (ft)
6	2.53
8	3.3
10	4.2
12	5.5
14	7.1
	9.8
Illuminance at Center (fc)	
WATTS: 16.5	LPW: 92.8
LUMENS: 1531	CCT: 3000K
INTENSITY	
DEGREE	CANDELA
0	1888
5	1909
15	1751
25	1030
35	399
45	108

15LM CCT MULTIPLIERS	
	90CRI
2700K	0.97
3000K	1.00
3500K	1.02
4000K	1.05

FC Formula = CBCP / Distance<sup>2</sup>

20D 19.1° SNOOT-BK	
Throw Distance (ft)	Beam Diameter (ft)
6	1.96
8	2.7
10	3.4
12	4.4
14	5.7
	4.7
Illuminance at Center (fc)	
WATTS: 16.5	LPW: 72.8
LUMENS: 1201	CCT: 3000K
INTENSITY	
DEGREE	CANDELA
0	7065
5	5823
15	1475
25	356
35	154
45	22

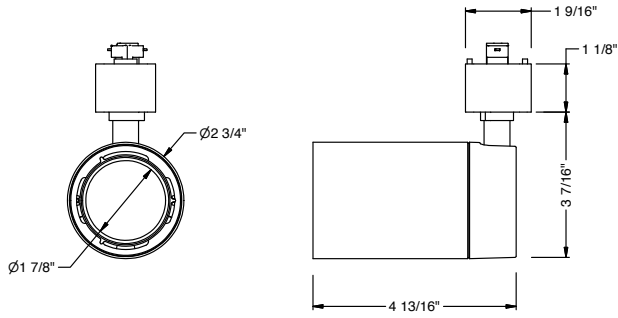
35D 32.6° SNOOT-BK	
Throw Distance (ft)	Beam Diameter (ft)
6	2.94
8	3.9
10	5.1
12	6.7
14	8.8
	8.2
Illuminance at Center (fc)	
WATTS: 16.5	LPW: 77.4
LUMENS: 1277	CCT: 3000K
INTENSITY	
DEGREE	CANDELA
0	3370
5	3199
15	1857
25	731
35	159
45	18

50D 49.2° SNOOT-BK	
Throw Distance (ft)	Beam Diameter (ft)
6	3.56
8	4.7
10	6.1
12	8.1
14	10.7
	12.8
Illuminance at Center (fc)	
WATTS: 16.5	LPW: 78.3
LUMENS: 1291	CCT: 3000K
INTENSITY	
DEGREE	CANDELA
0	1964
5	1991
15	1800
25	940
35	245
45	14

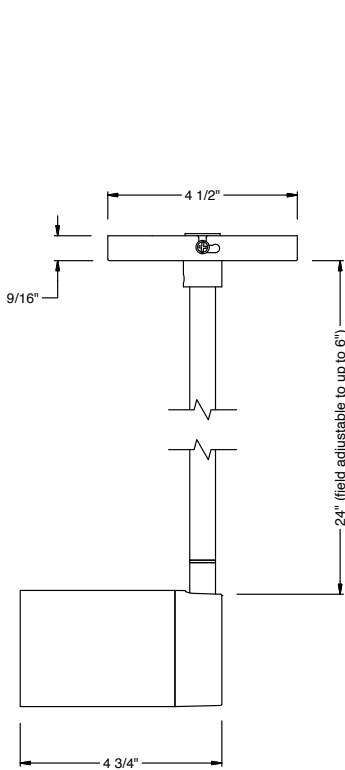
**PROJECT INFORMATION**

JOB NAME		TYPE	
ORDERING CODE			

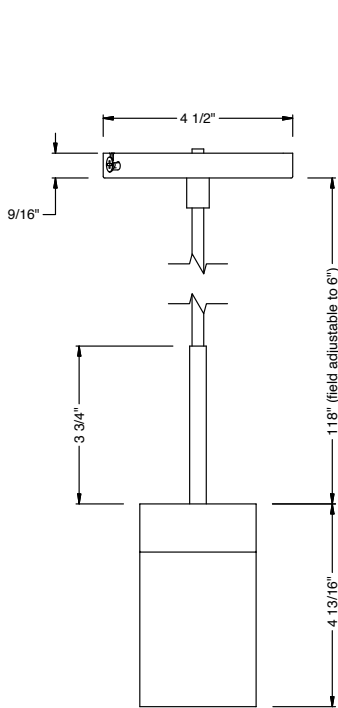
**MOUNTING OPTIONS**



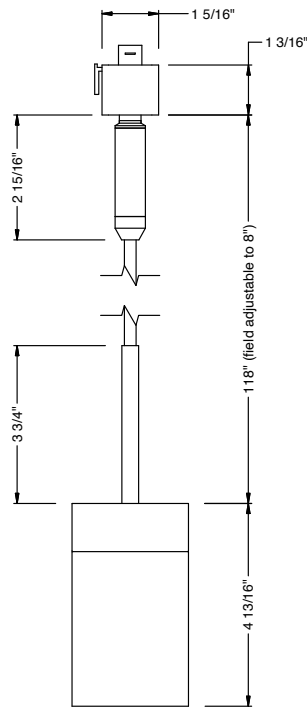
**ECOH / ECOJ / LGTR**



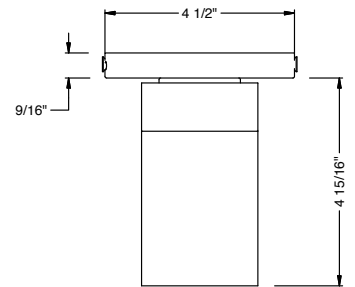
**MONOPOINT**



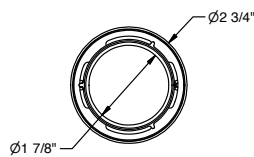
**PENDANT**



**ECOHP / ECOJP**



**SURFACE MOUNT**



PROJECT INFORMATION			
JOB NAME		TYPE	
ORDERING CODE			

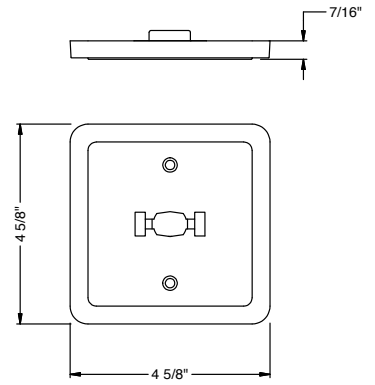
## ACCESSORIES

Follow the steps to specify your fixture, example:  
**GX15 - 15LM - 30K - 90 - 35D - 120 - ELV - ECOH - BK - SNOOT - BK**

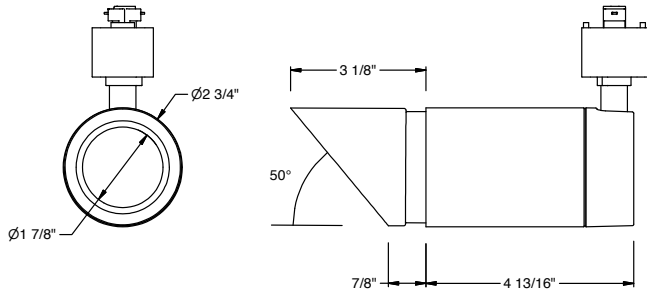
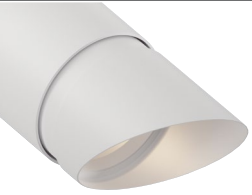
### Accessories

- GX15-SNOOT-BK** snoot, black
- GX15-SNOOT-WH** snoot, white
- GX15-HCL-BK** honeycomb louver, black
- GX15-HCL-WH** honeycomb louver, white
- GX15-BD-BK** barn doors, black
- GX15-BD-WH** barn doors, white
- GX15-SHNT-BK** shroud snoot, black
- GX15-SHNT-WH K** shroud snoot, white
- K20272/ECOMPBK** eco canopy, black
- K20272/ECOMPWH** eco canopy, white

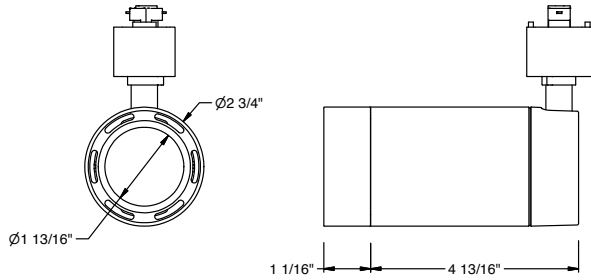
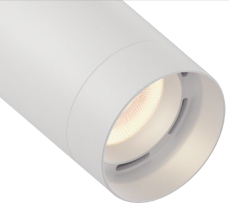
**NOTE:** Omit GX15 from code when requesting accessory with fixture



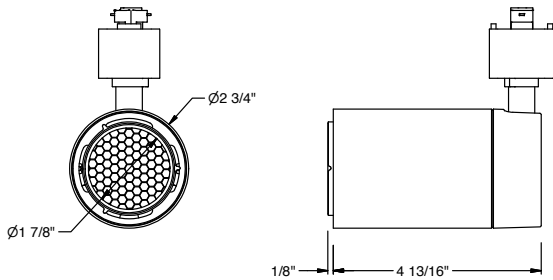
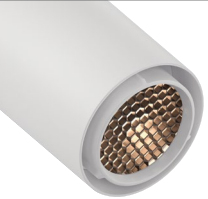
### SHROUD SNOOT



### SNOOT



### HONEYCOMB LOUVER



### BARN DOORS

