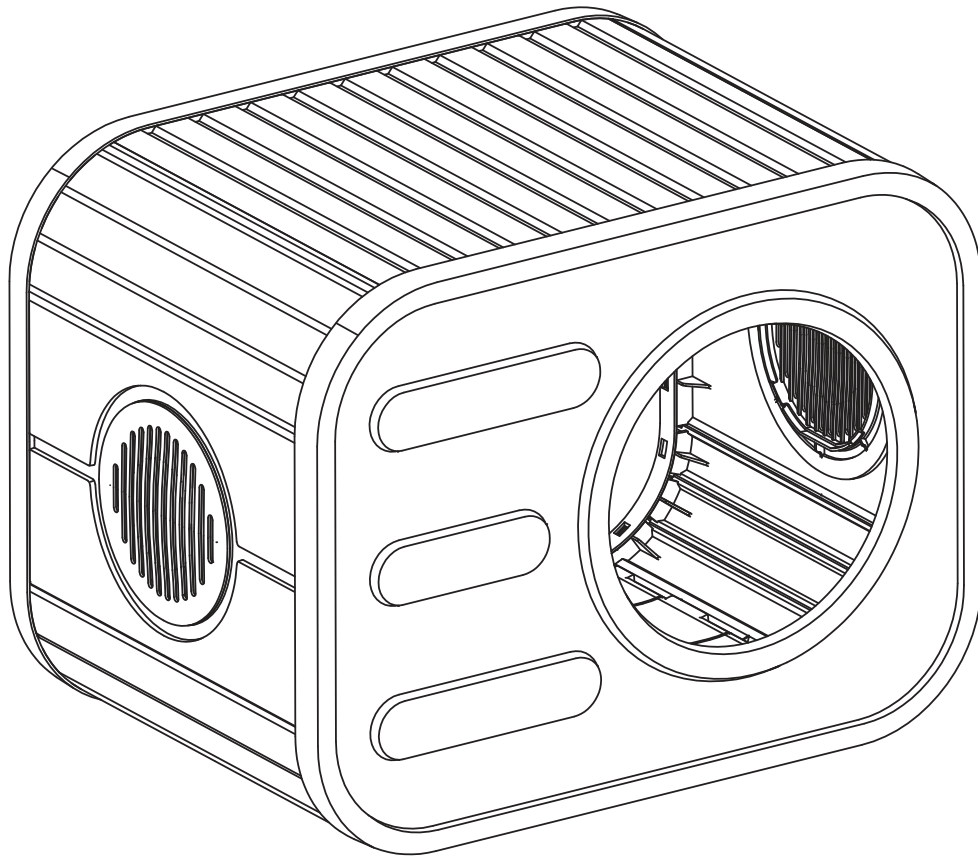


# ASSEMBLE INSTRUCTIONS



# IMPORTANT

Once installed, the product cannot be detached. Strictly follow each step in the installation manual.

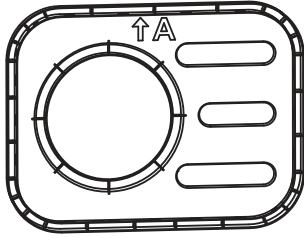
- Gather and organize all required parts prior to assembly. If you have any problems or discover any missing parts, please contact customer service.
- Some parts may contain sharp edges. Wear protective gloves if necessary during assembly.

---

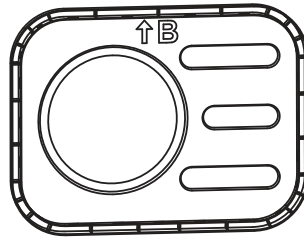
## CARE & SAFETY

- Assemble on a flat, clean and soft surface.
- In case of fire, do not attempt to extinguish any burning polypropylene with water.
- Wear safety-goggles and always follow the manufacturer's instructions when using power tools.
- During installation, please refer to the accessories guide to ensure that they are installed in the correct directions.
- Do not stand on the lid.

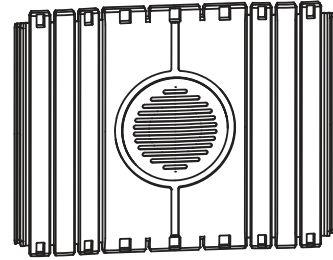
# PARTS LIST



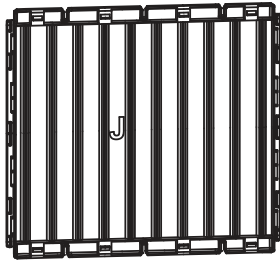
**A(X1)**



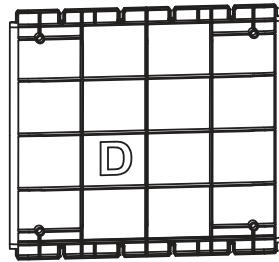
**B(X1)**



**C(X2)**



**J(X1)**

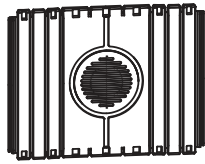


**D(X1)**

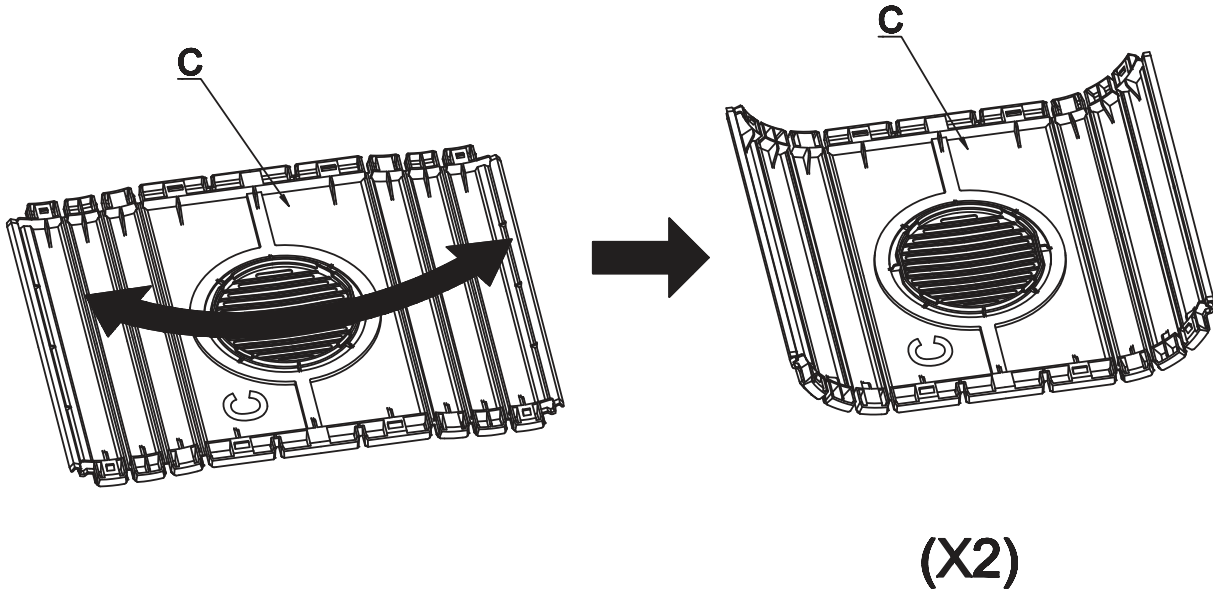


**(X4)**

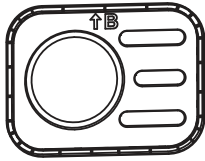
1



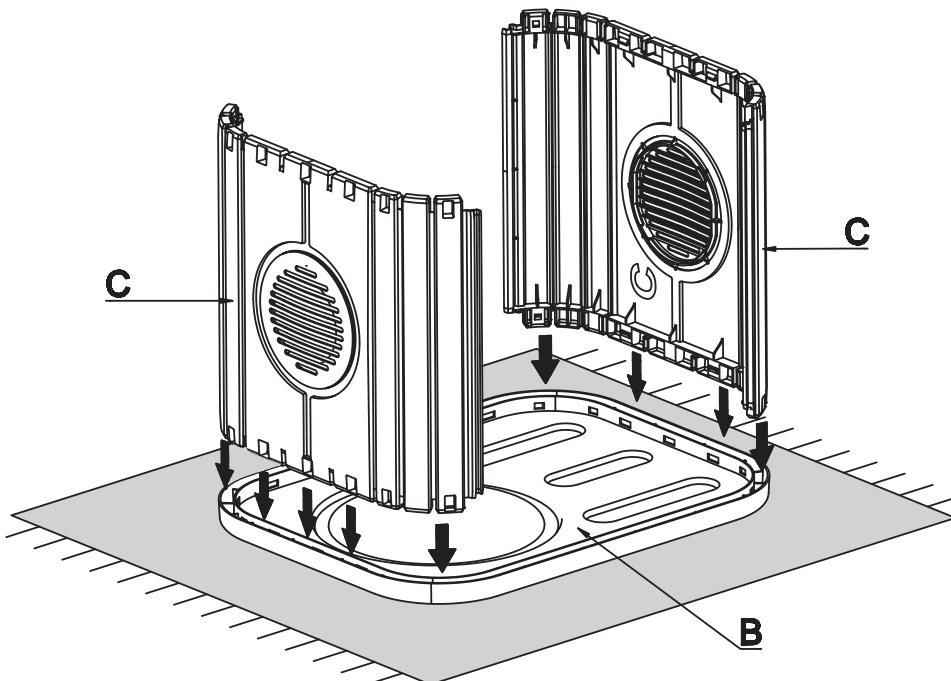
C(X2)



2



B(X1)

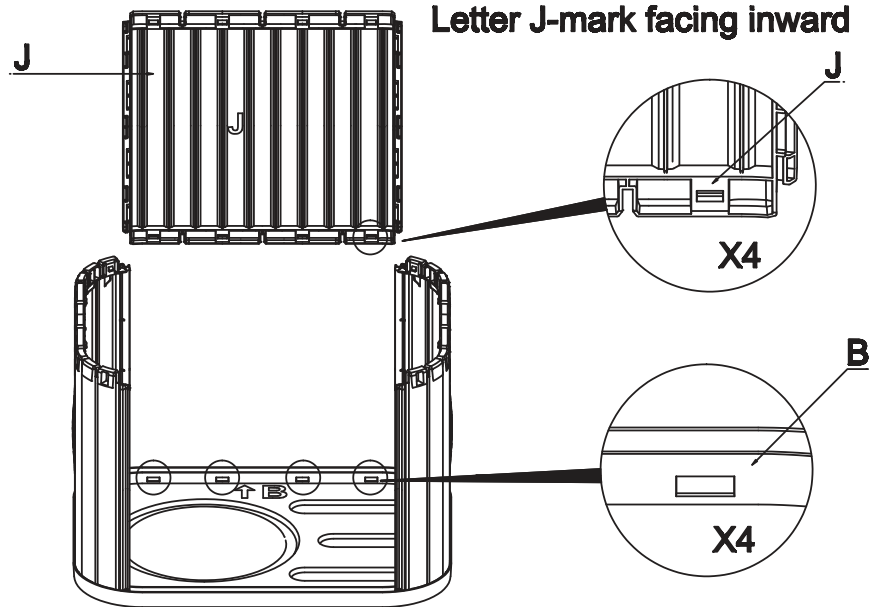


3

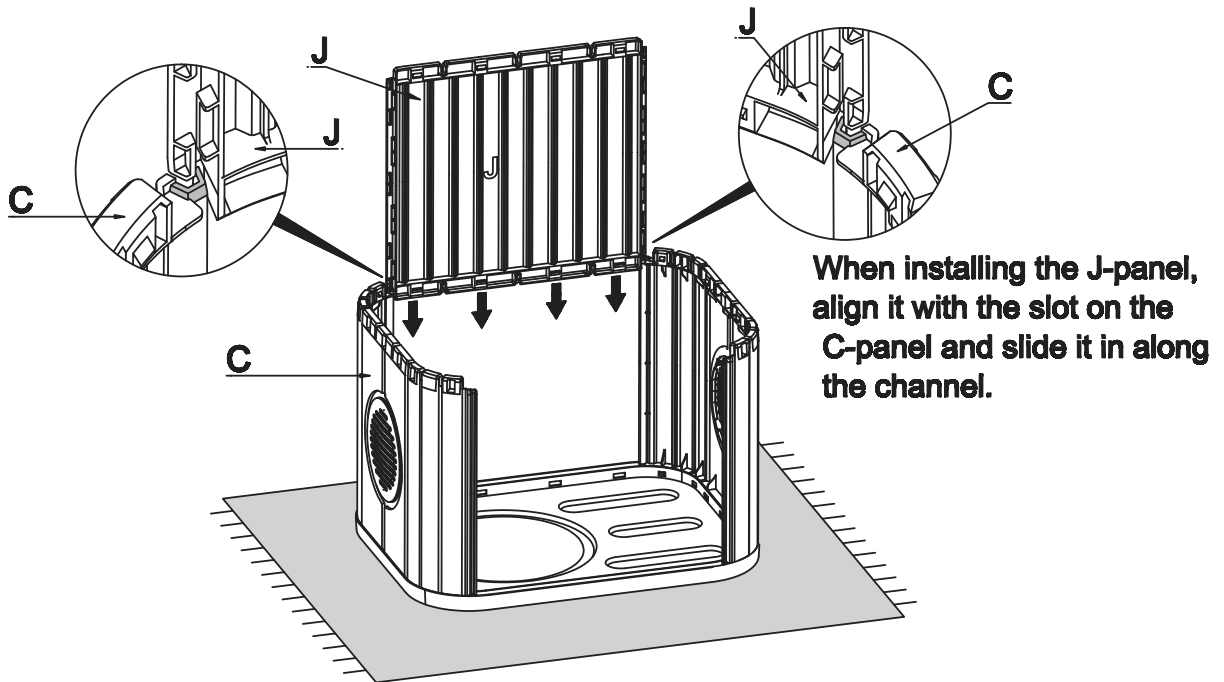
3



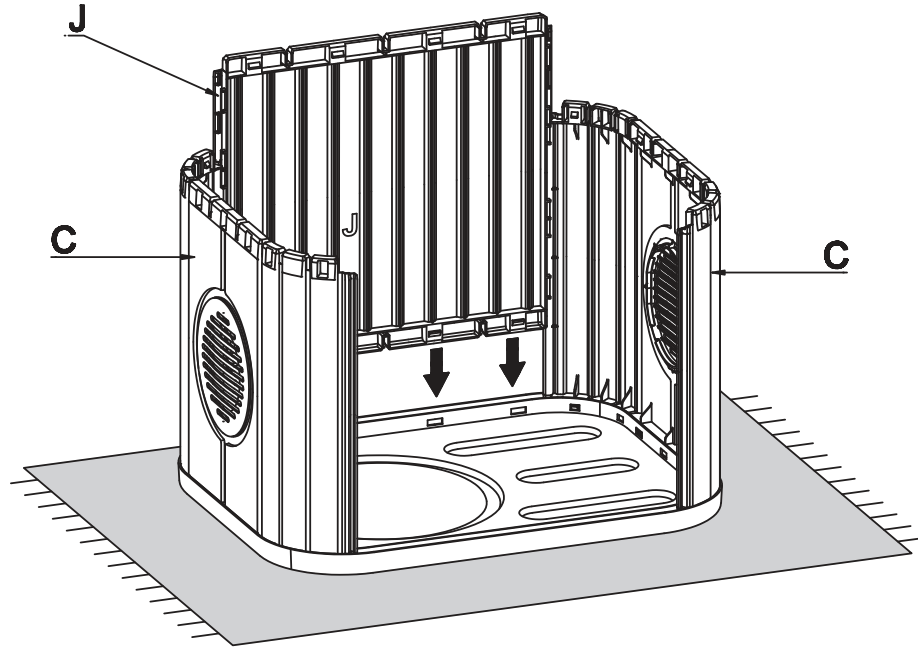
J(X1)



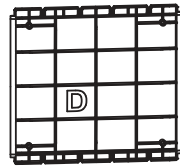
4



5

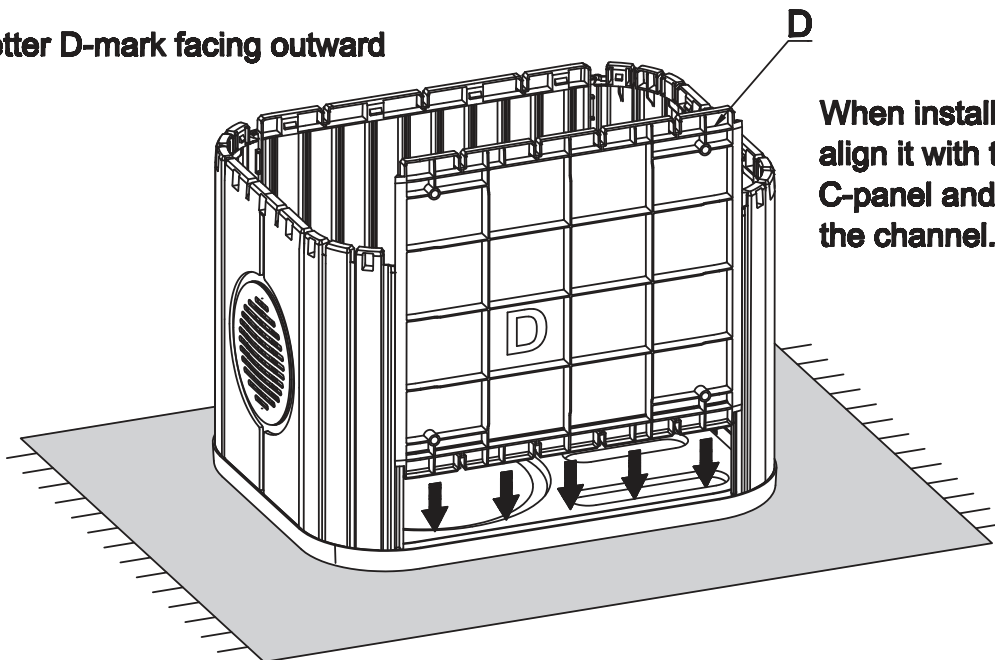


6



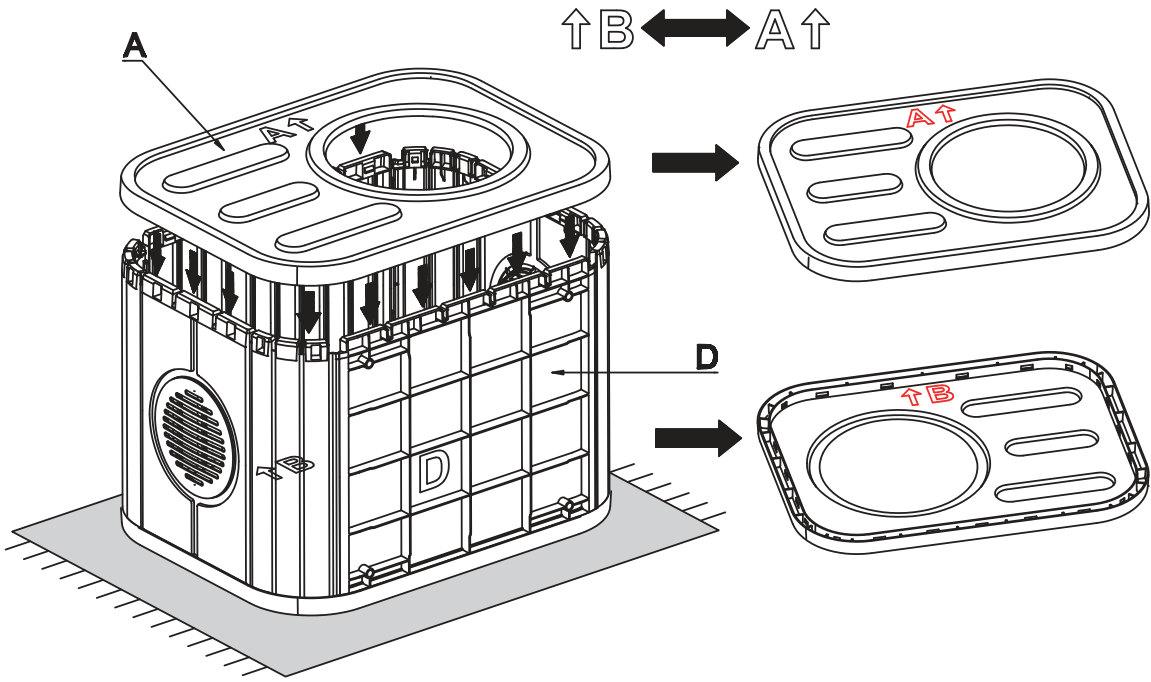
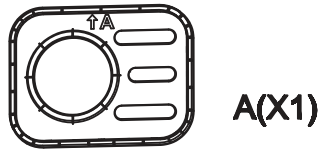
D(X1)

Letter D-mark facing outward



When installing the D-panel, align it with the slot on the C-panel and slide it in along the channel.

7



8

