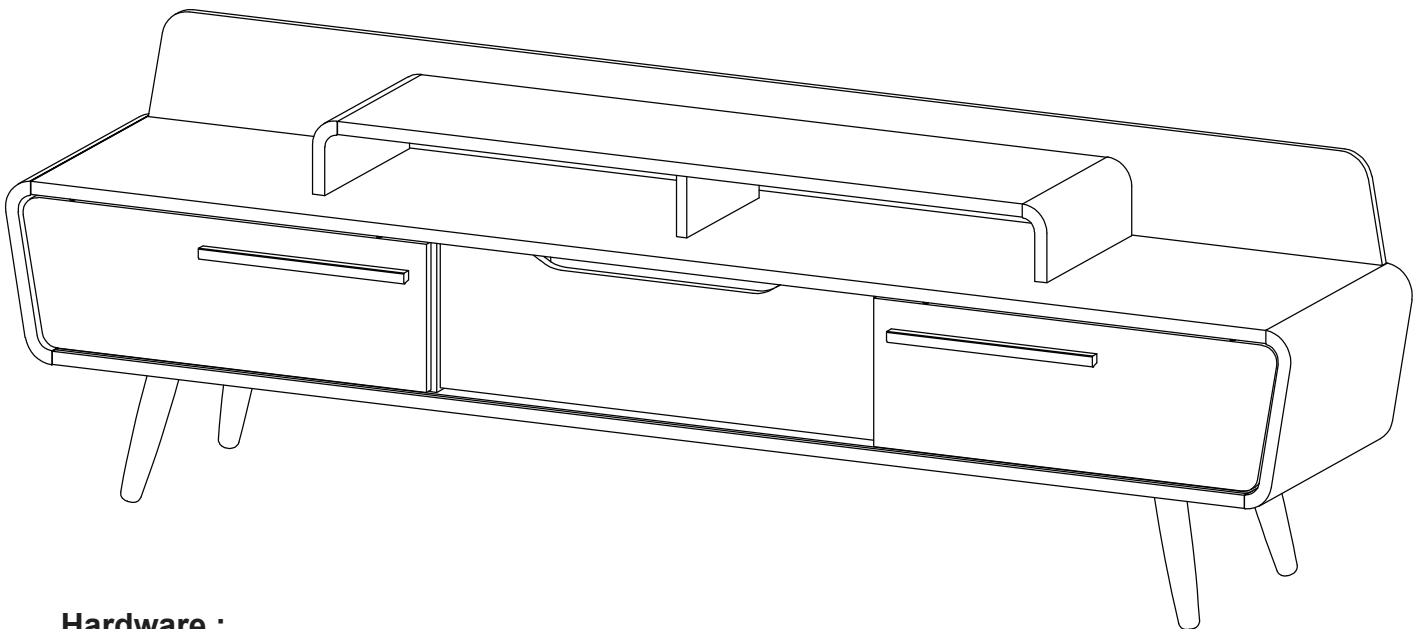


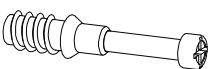




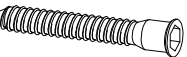


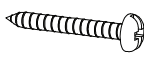
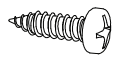
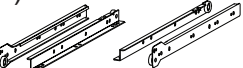

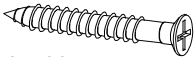

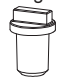
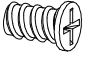

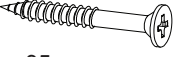



Thank you for purchasing

Before you start, here are some helpful advice:

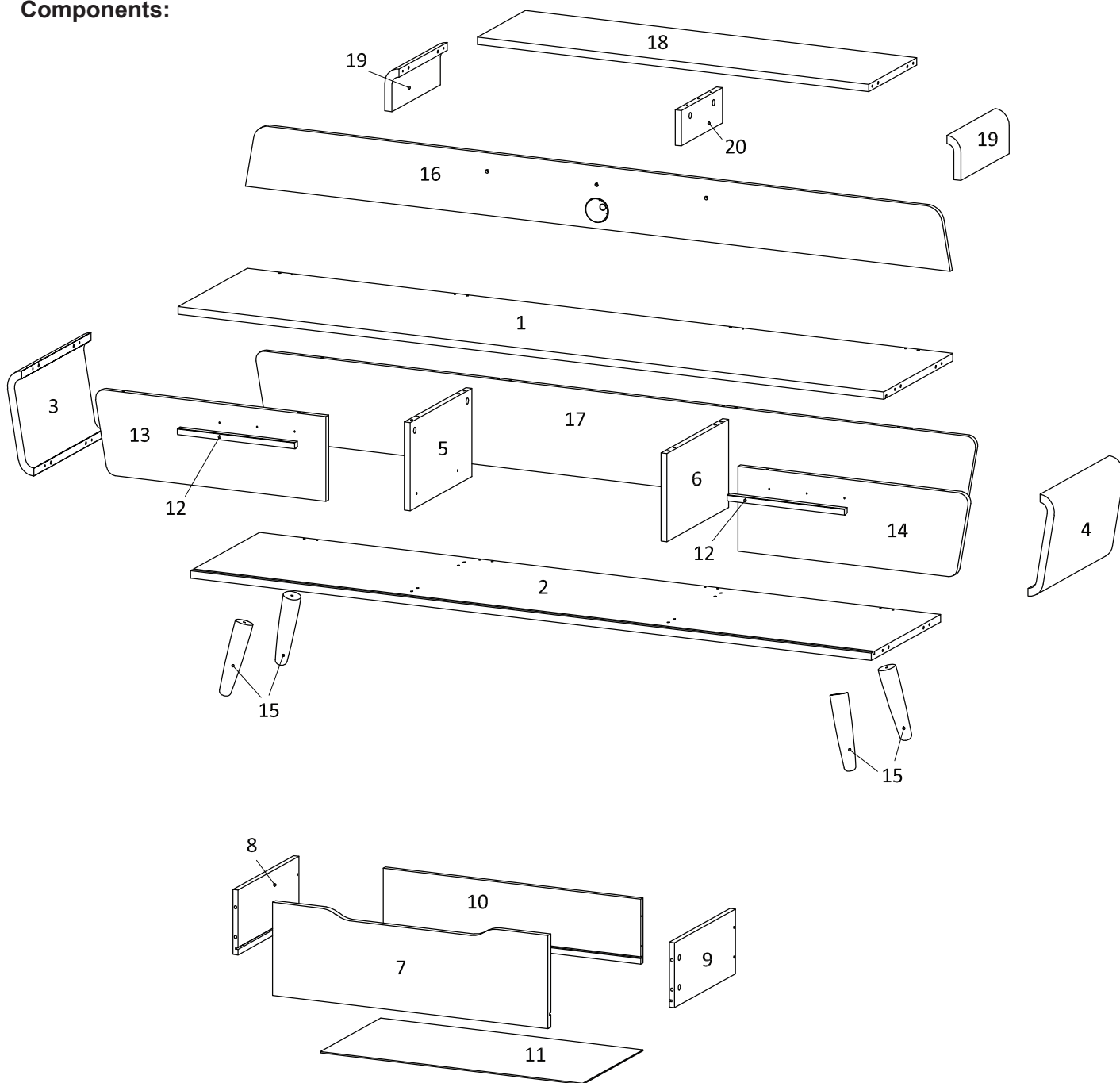
1. We suggest you spend a short time reading through this leaflet and then follow the simple step-by-step instructions.
2. Owing to the size and weight of the TV Stand, we recommend that it is assembled by two adults, on a carpeted or padded area, in the room that it is intended for. Approximate assembly time: 60 minutes.
3. Please do not use any tools other than those provided or recommended in these instructions.
4. Please do not throw away any of the packaging or instructions until you have checked all the components and hardware and the furniture is fully assembled.
5. Assemble all components loosely until advised to tighten. Depending on use, it may be necessary to tighten the components from time to time, so please save the tools that have been provided.
6. Please keep all pieces out of reach of children.



Hardware :

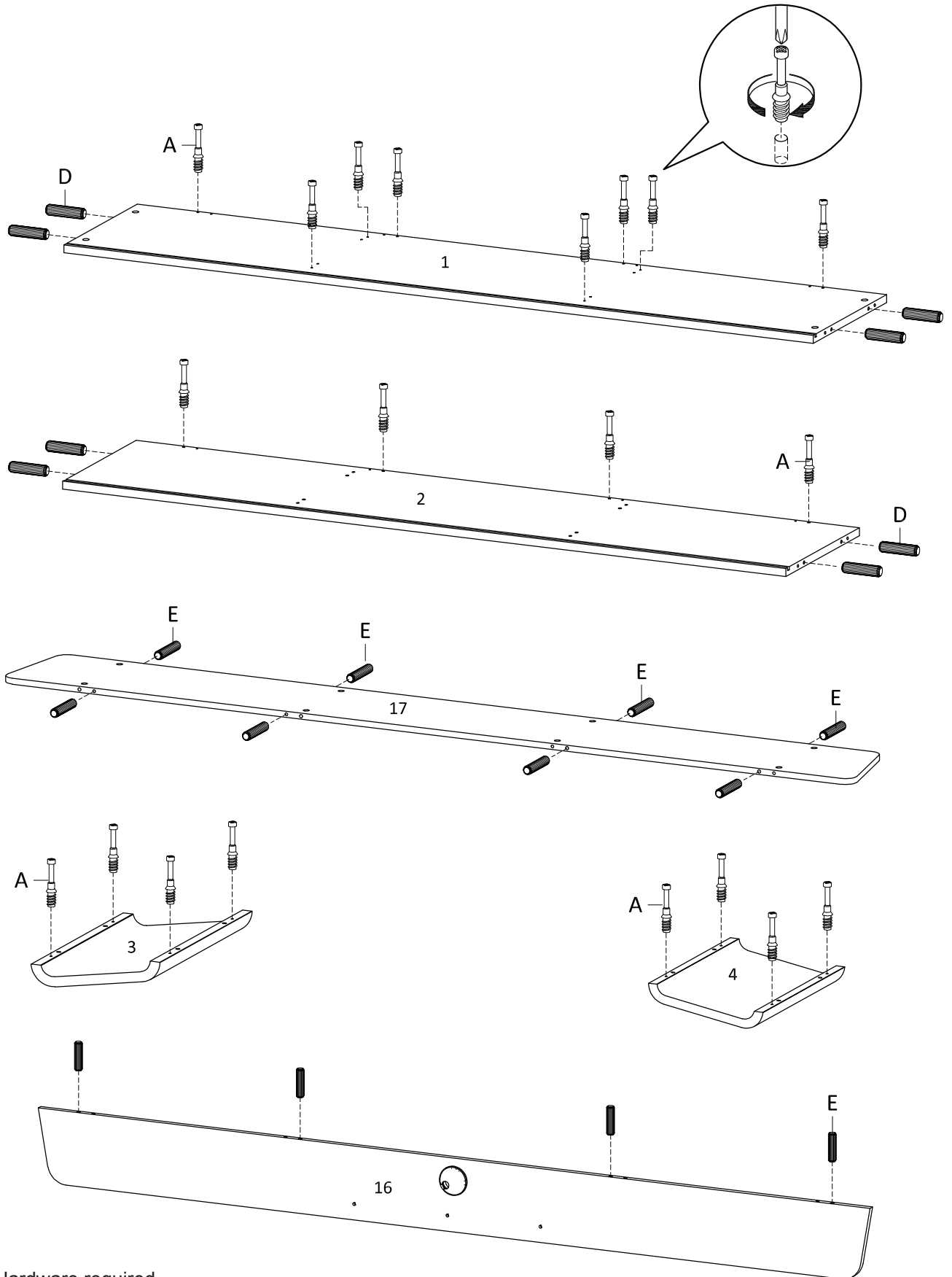
<p>A) Cambolt/Metal</p>  <p>∅ 6 x 35 mm x 34</p>	<p>B) CamLock Big/Metal</p>  <p>∅ 15 mm x 18</p>	<p>C) CamLock Small/Metal</p>  <p>∅ 12 mm x 16</p>	<p>D) Dowel Big/Wood</p>  <p>∅ 8 x 30 mm x 21</p>	<p>E) Dowel Small/Wood</p>  <p>∅ 6 x 30 mm x 12</p>
<p>F) Screw/Metal</p>  <p>M 7 x 50 mm x 7</p>	<p>G) Key/Metal</p>  <p>L 4 x 1</p>	<p>H) Screw/Metal</p>  <p>M 3.5 x 13 mm x 6</p>	<p>I) Screw/Metal</p>  <p>M 3.5 x 22 mm x 6</p>	<p>J) Screw/Metal</p>  <p>M 4 x 16 mm x 16</p>
<p>K) Reil/Metal</p>  <p>300 mm x 1</p>	<p>L) Buffer/Rubber</p>  <p>∅ 8 mm x 3</p>	<p>M) Screw/Metal</p>  <p>M 8 x 39 mm x 4</p>	<p>N) Plat Mitres/Metal</p>  <p>70 x 62 x 12 mm x 4</p>	<p>O) Pin Sliding Bottom/Plastic</p>  <p>∅ 8 x 16 mm x 4</p>
<p>P) Screw/Metal</p>  <p>M 6.5 x 10.5 mm x 4</p>	<p>Q) Iron Hollow/Metal</p>  <p>1450 x 20 x 20 mm x 1</p>	<p>R) Screw/Metal</p>  <p>M 12 x 35 mm x 5</p>	<p>S) Pin Sliding Top/Plastic</p>  <p>∅ 8 x 19 mm x 4</p>	<p>T) Screw Cup/Plastic</p>  <p>∅ 15 mm x 2</p>
<p>U)</p>  <p>Screwdriver (Not Include)</p>				

Components:

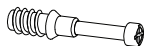





1	Top Board	x1	2	Bottom Board	x1	3	Side Board Left	x1	4	Side Board Right	x1
5	Centre Board Left	x1	6	Centre Board Right	x1	7	Front Drawer	x1	8	Side Drawer Left	x1
9	Side Drawer Right	x1	10	Back Drawer	x1	11	Bottom Drawer	x1	12	Handle	x2
13	Wooden Sliding Left	x1	14	Wooden Sliding Right	x1	15	Leg	x4	16	Back Panel	x1
17	Back Board	x1	18	Top Board Hutch	x1	19	Side Board Hutch	x2	20	Centre Board Hutch	x1

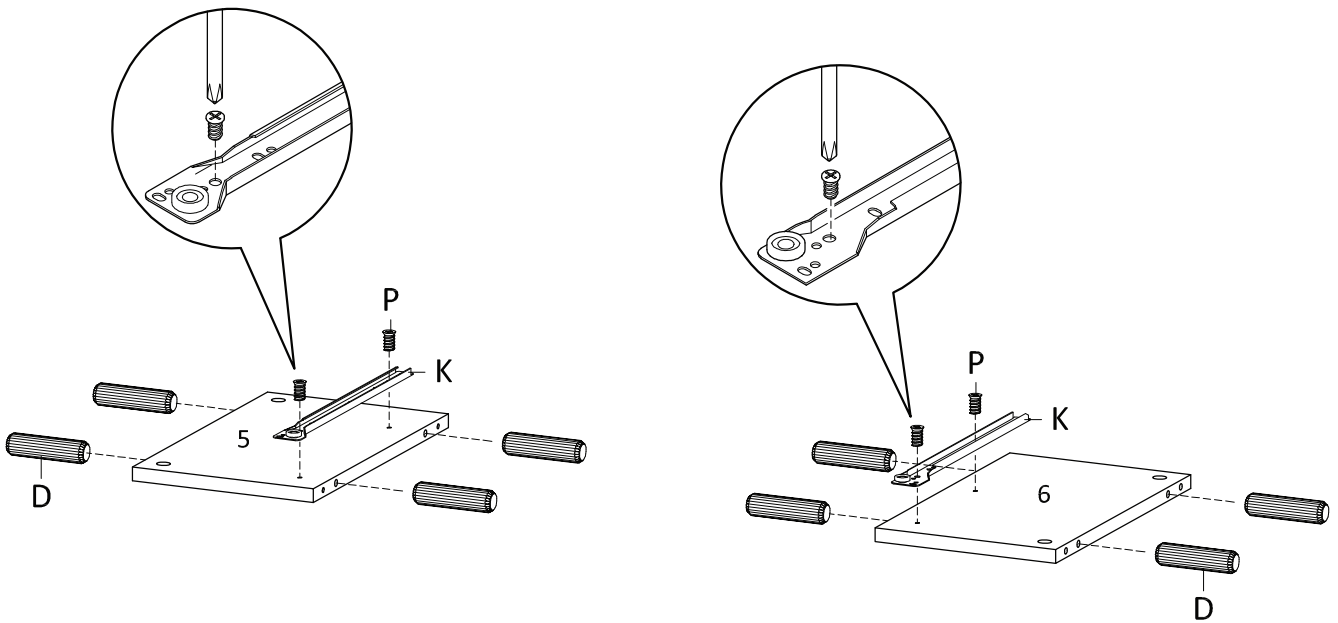
STEP 1:


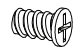
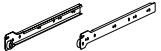
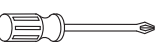


Hardware required.
Screwdriver not included

			
Ax20	Dx8	Ex12	Ux1

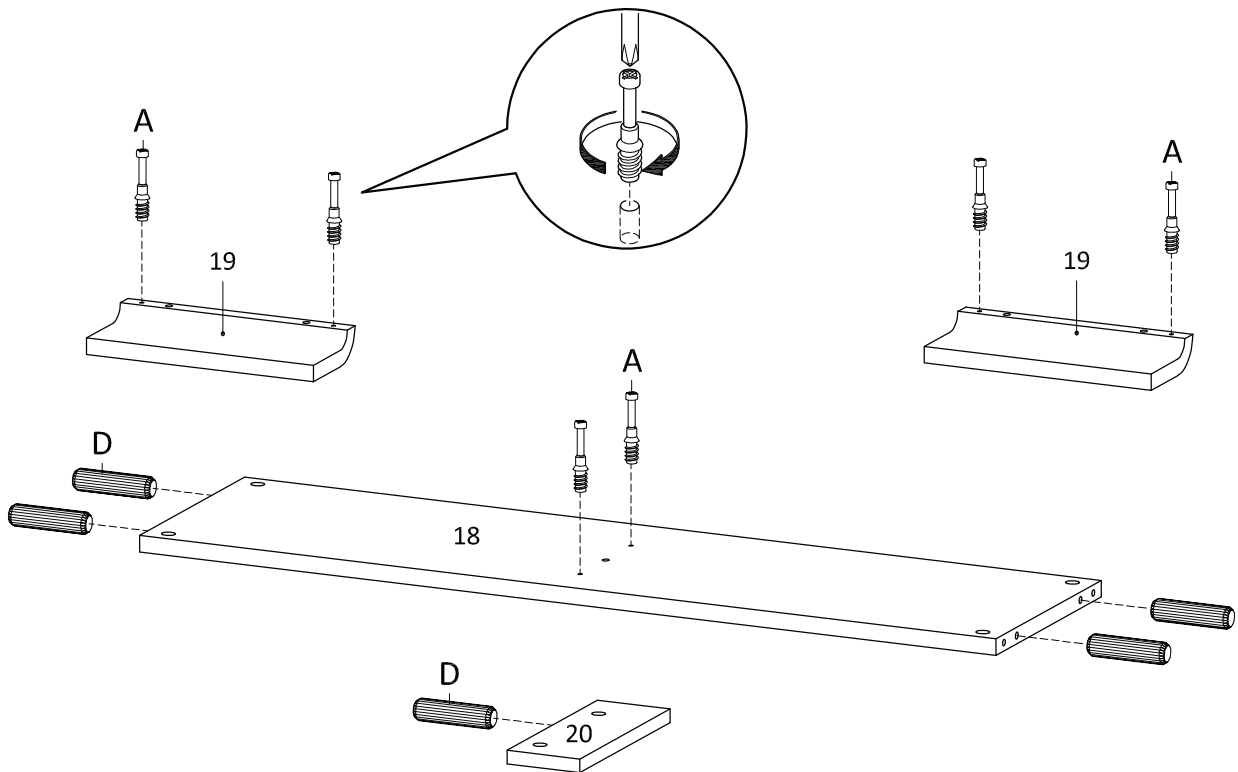
STEP 2:

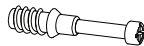

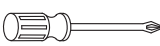


			
Dx8	Px4	Kx1	Ux1

Hardware required.
Screwdriver not included

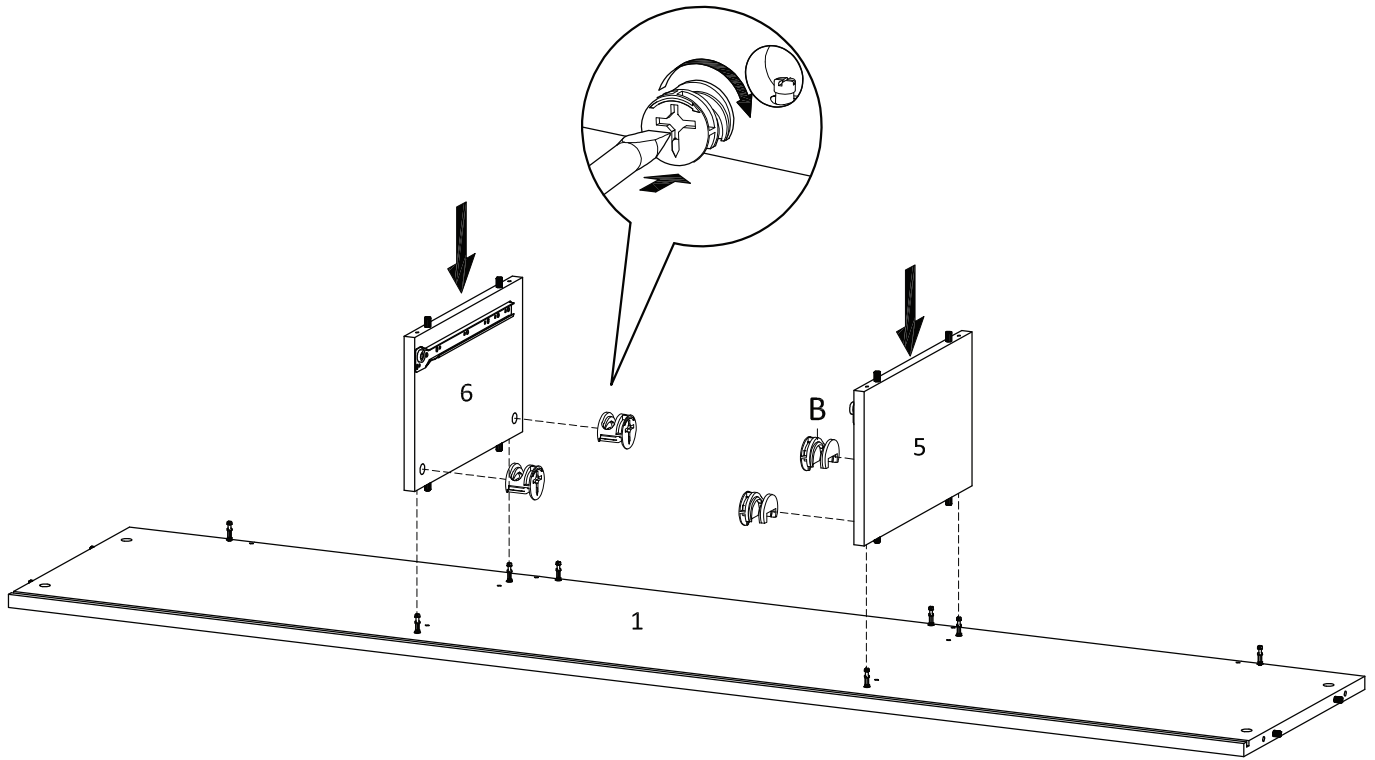
STEP 3:


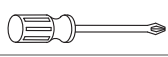


		
Ax6	Dx5	Ux1

Hardware required.
Screwdriver not included

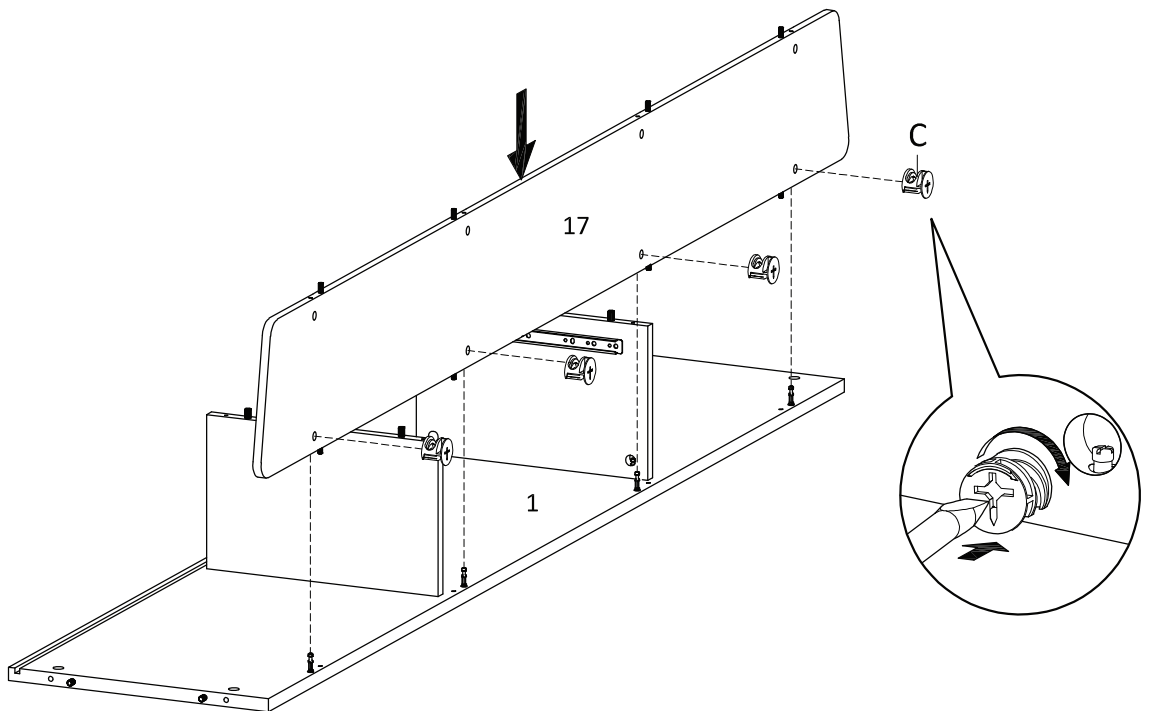
STEP 4:


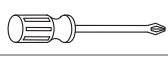


	
Bx4	Ux1

Hardware required.
Screwdriver not included

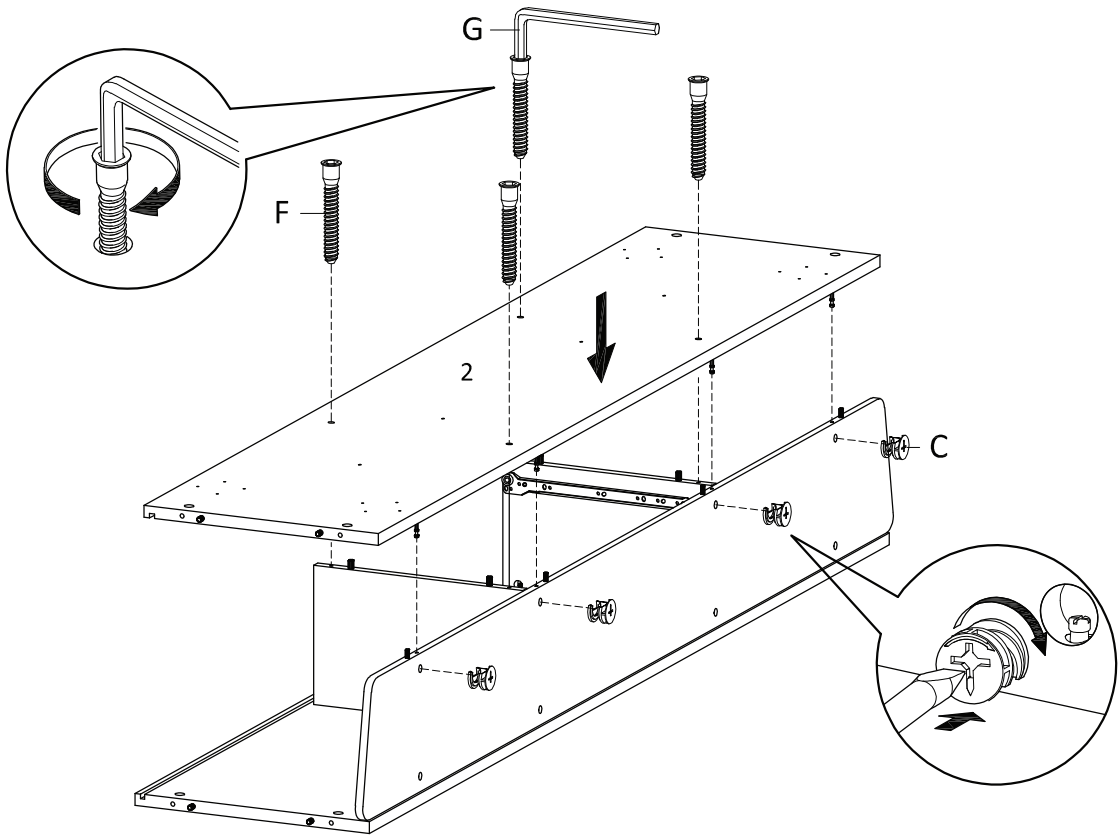
STEP 5:






	
Cx4	Ux1

Hardware required.
Screwdriver not included

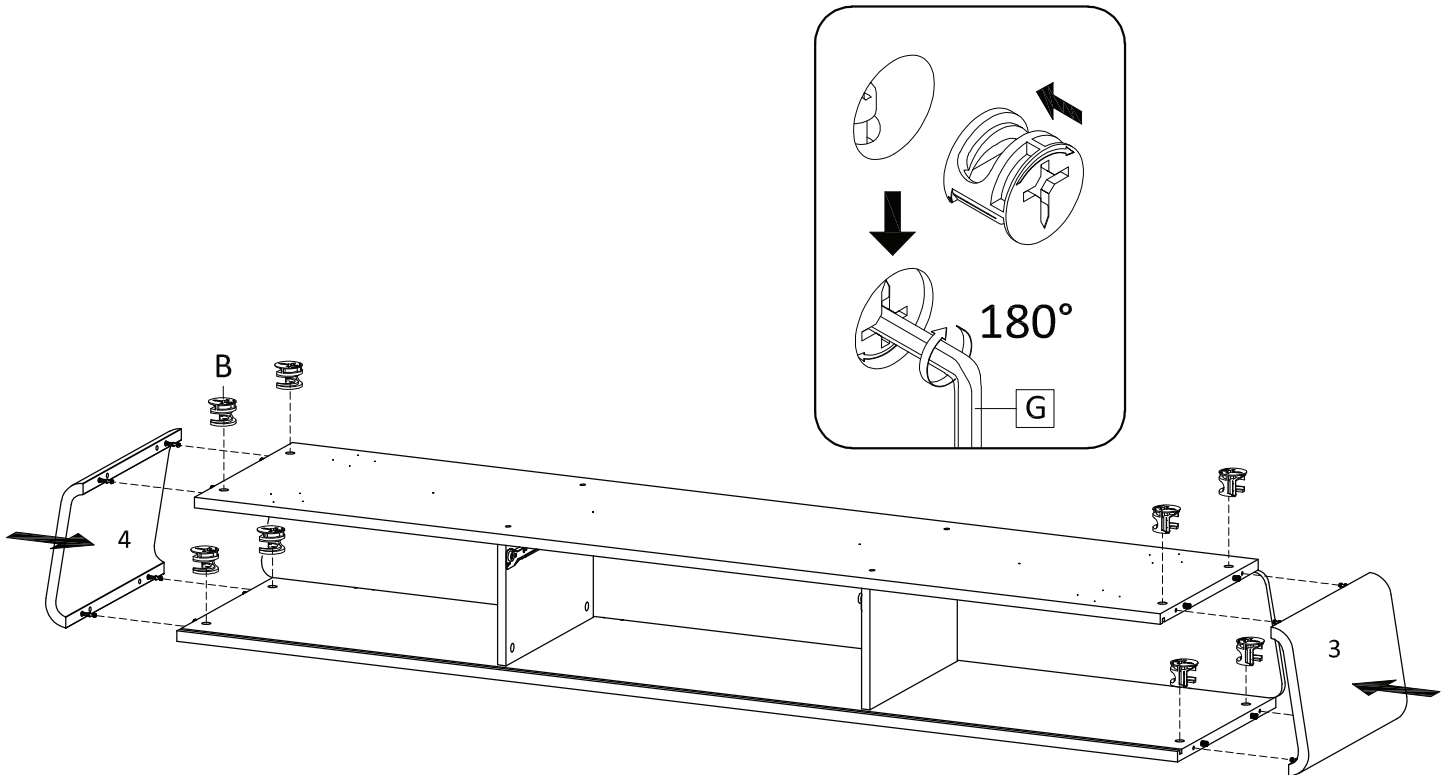
STEP 6:





		
Cx4	Fx4	Gx1

Hardware required.

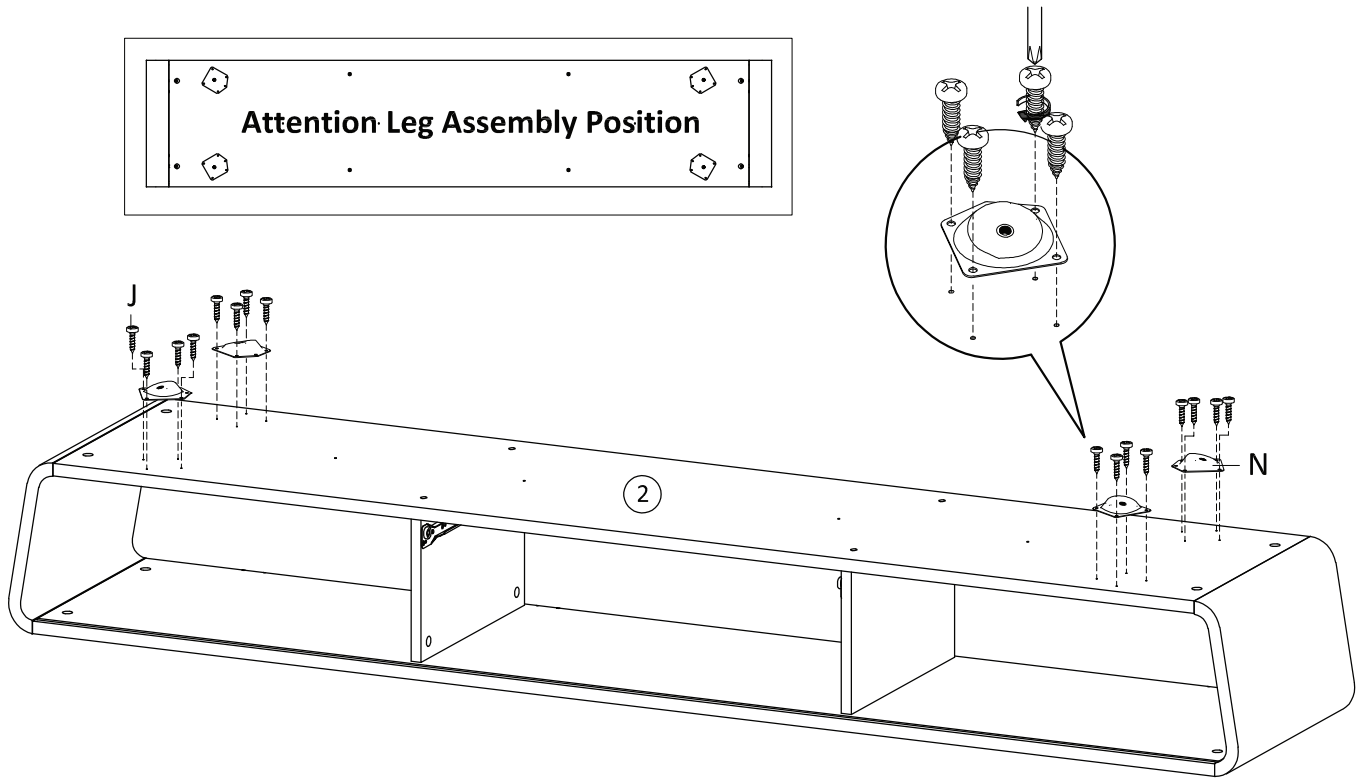
STEP 7:

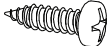

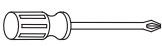


	
Bx8	G

Hardware required.

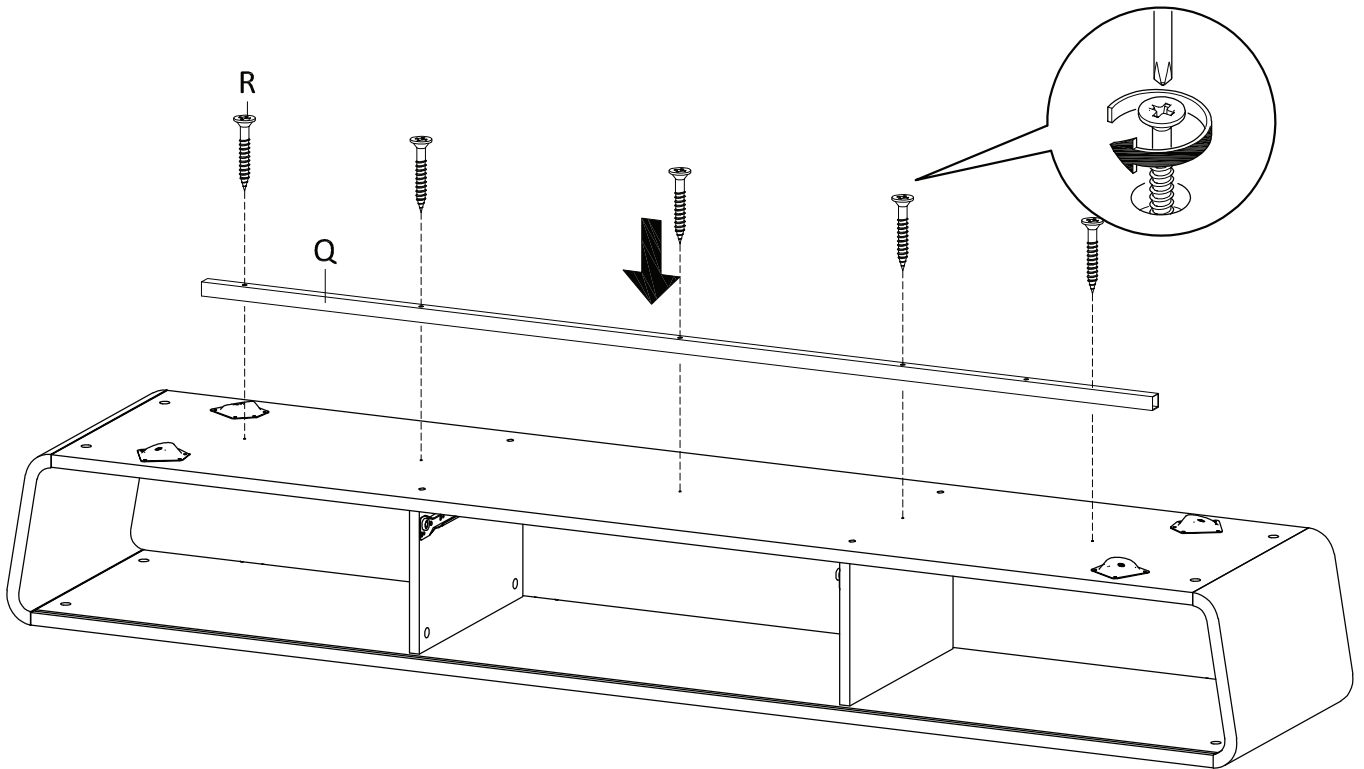
STEP 8:


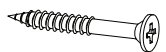
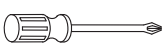


		
Jx16	Nx4	Ux1

Hardware required.
Screwdriver not included

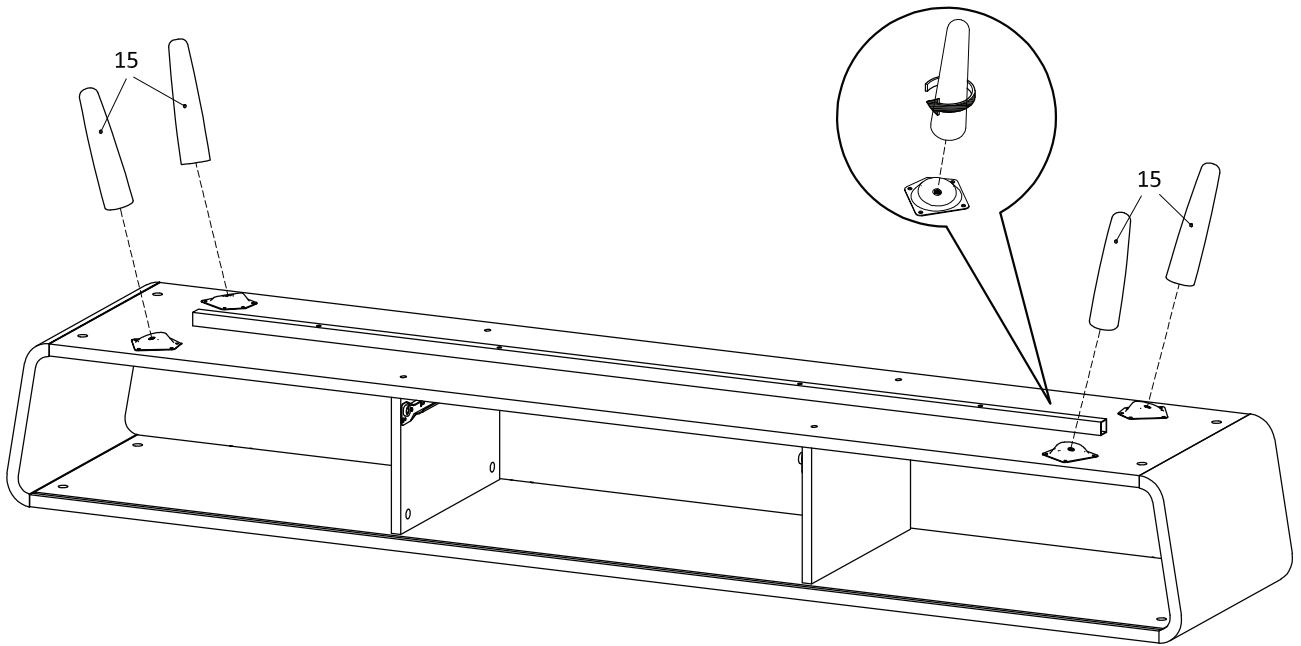
STEP 9:



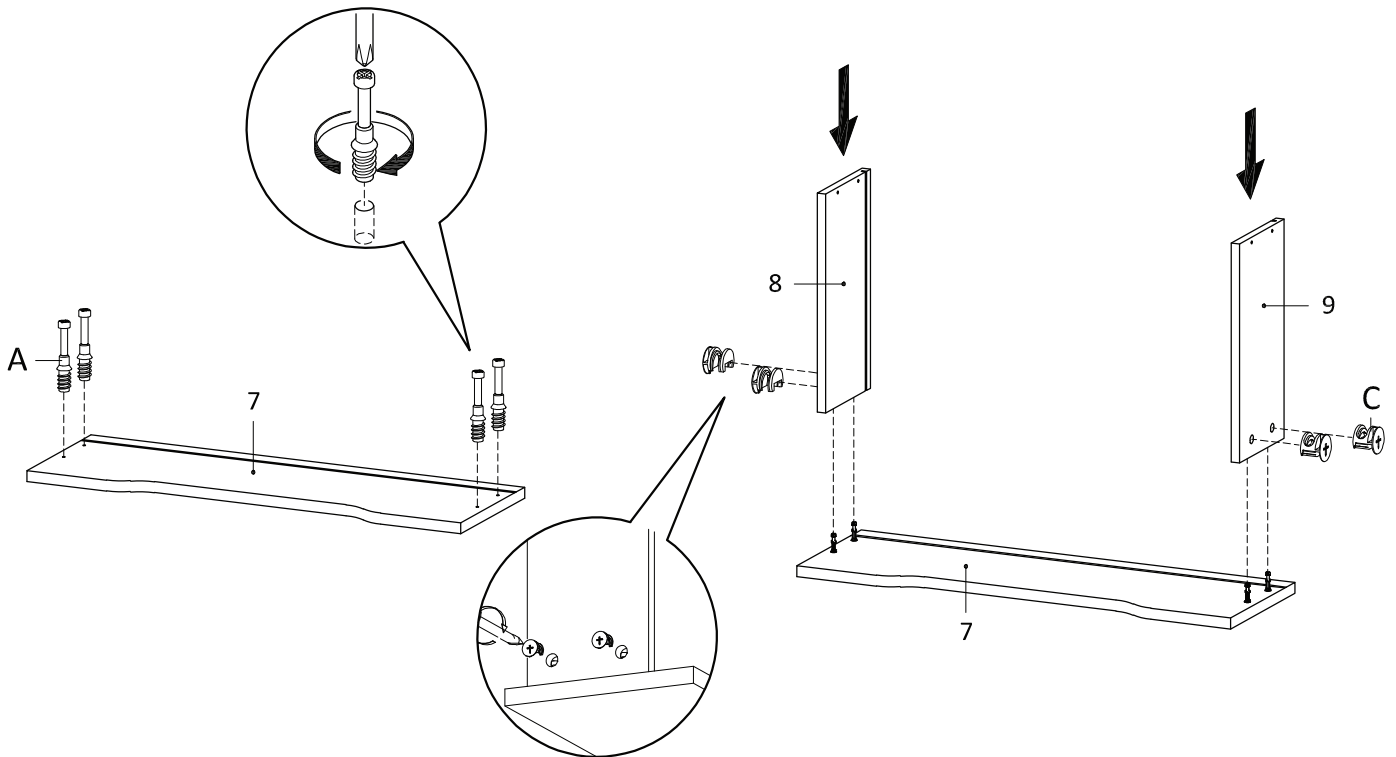
		
Qx1	Rx5	Ux1

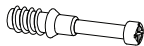


Hardware required.
Screwdriver not included

STEP 10:



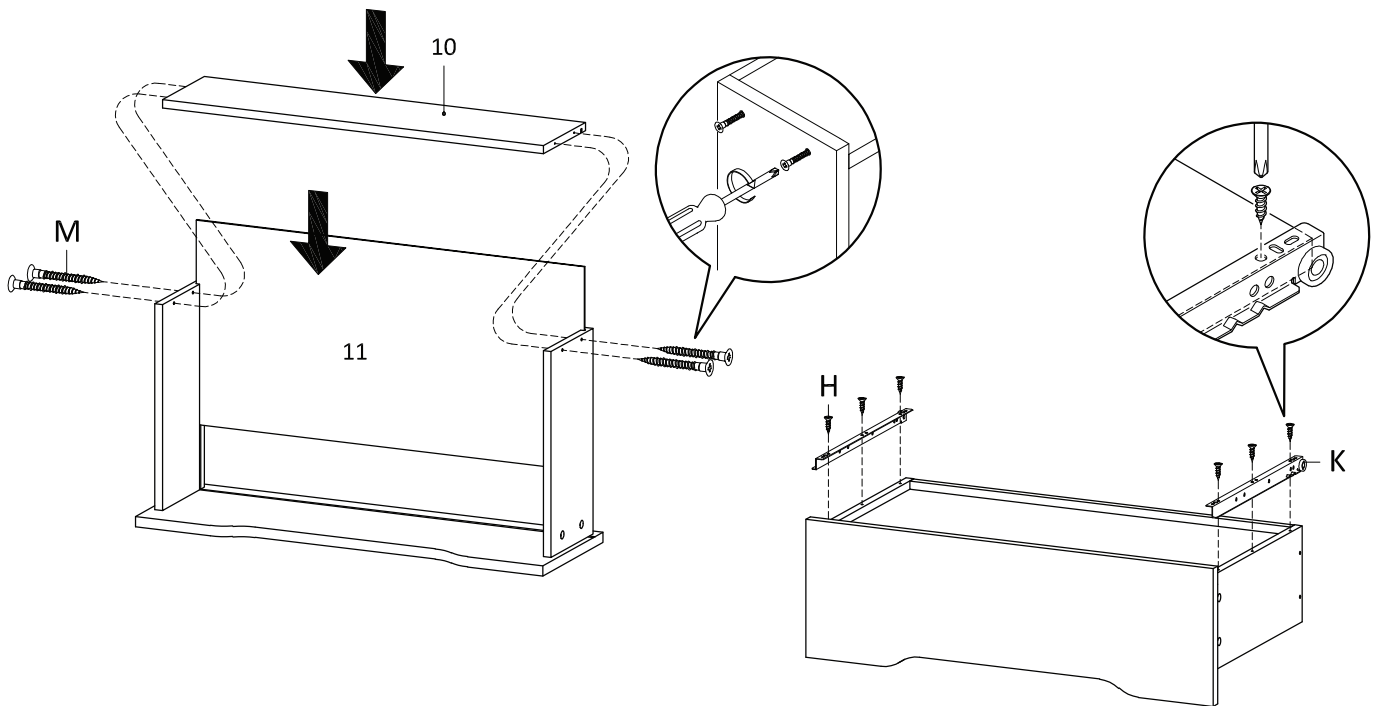
STEP 11:

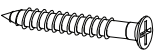





		
Ax4	Cx4	Ux1

Hardware required.
Screwdriver not included

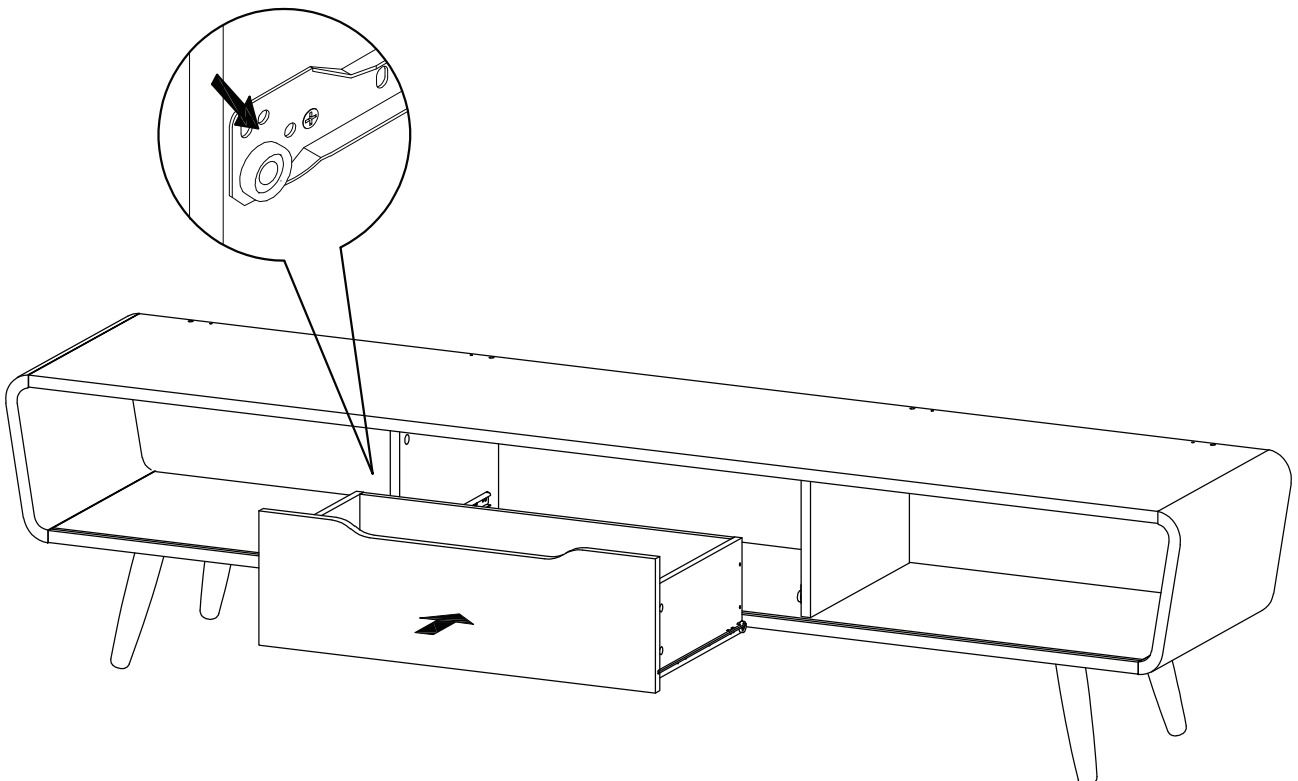
STEP 12:



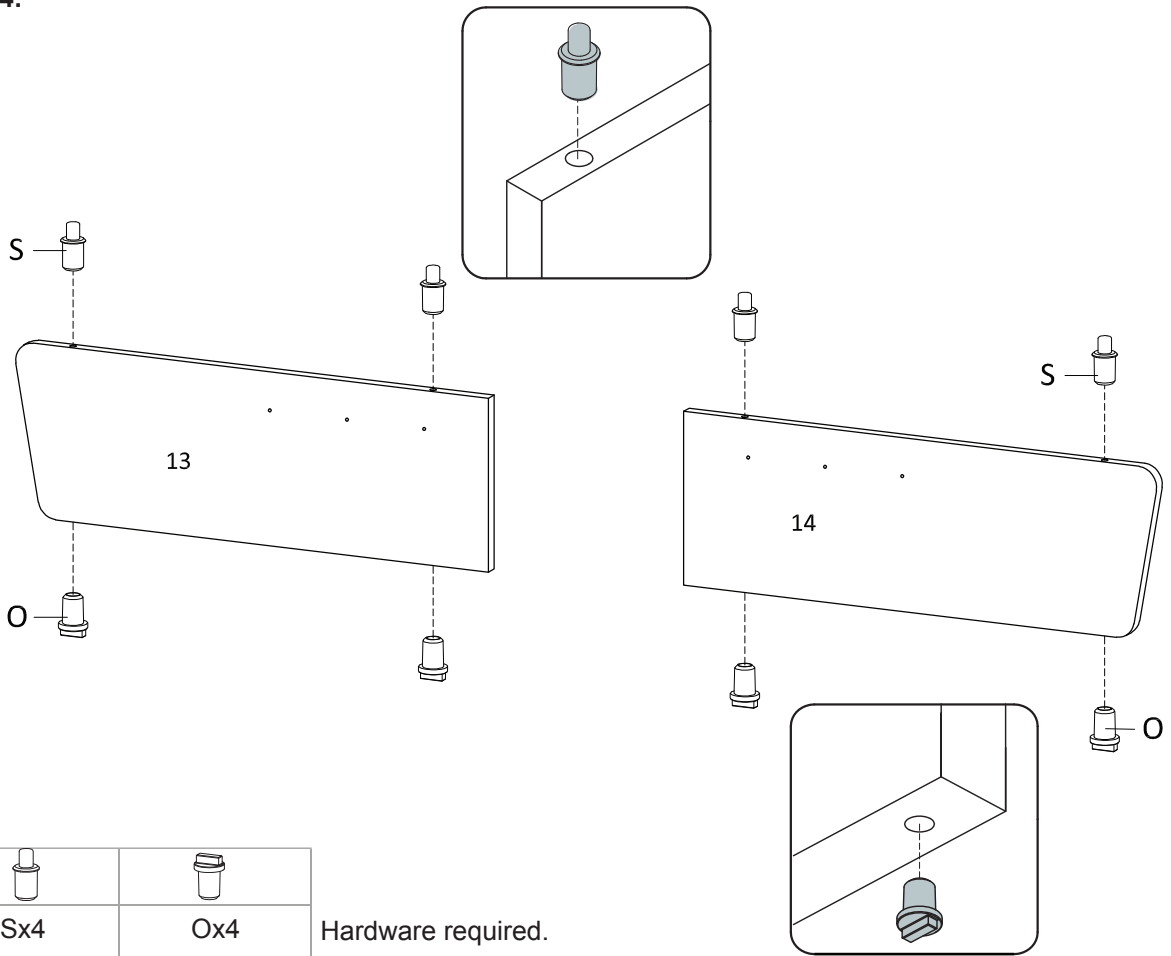
			
Mx4	Kx1	Hx6	Ux1

Hardware required.
Screwdriver not included

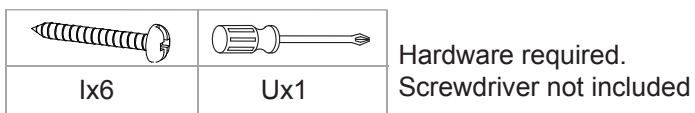
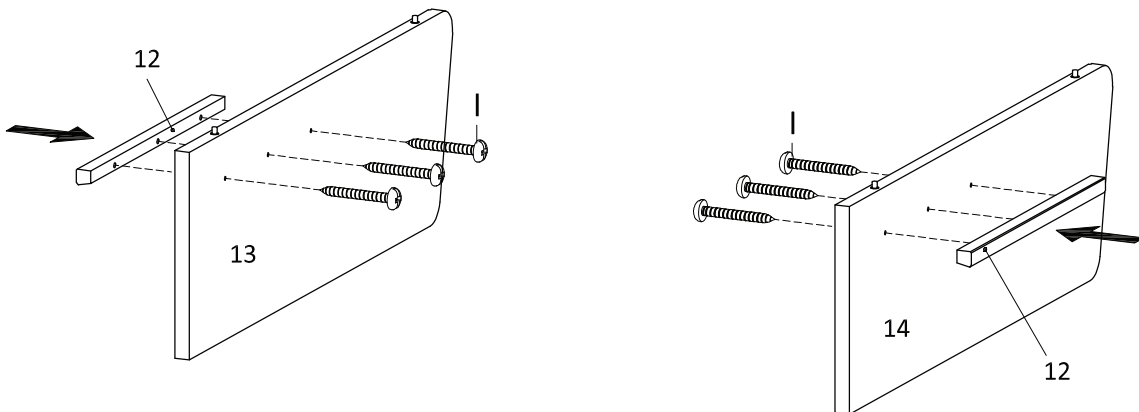
STEP 13:



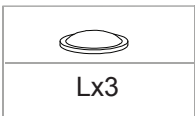
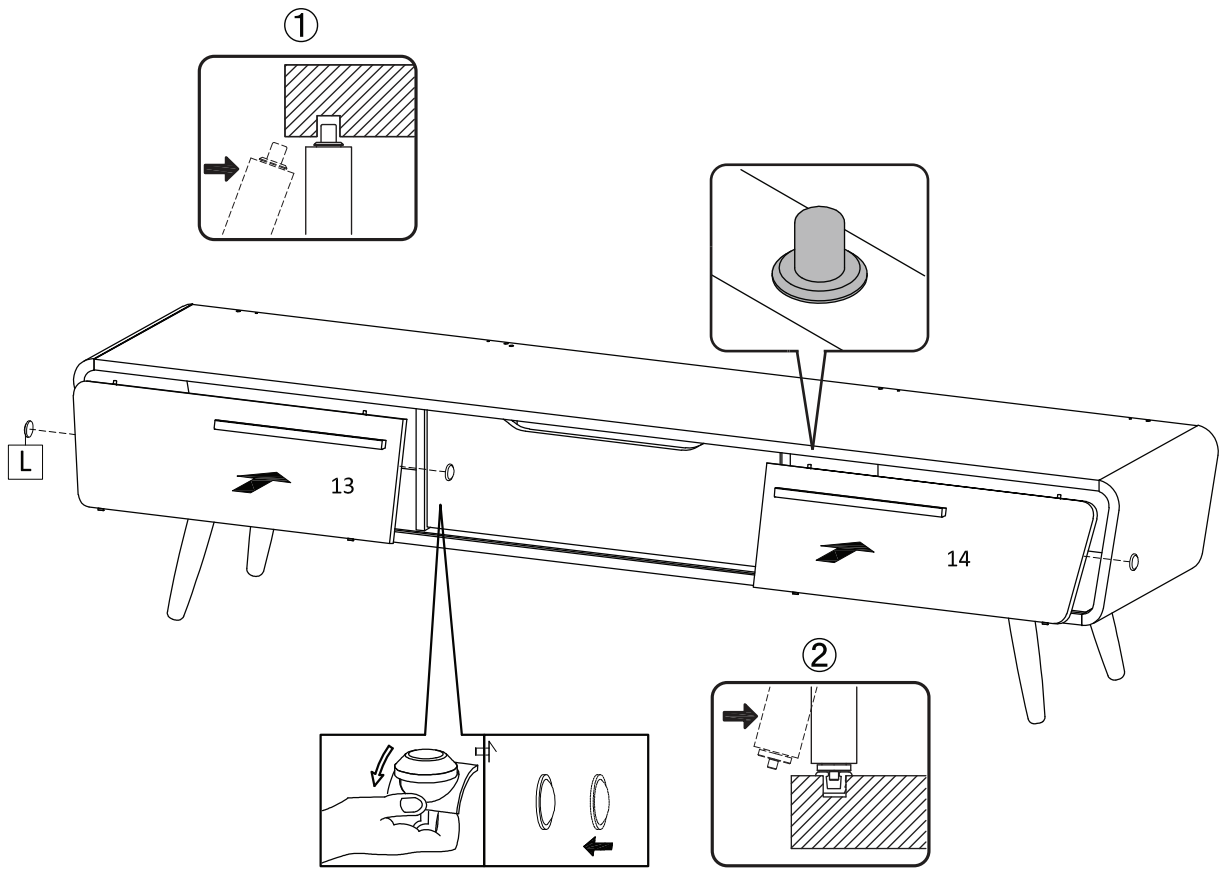
STEP 14:



STEP 15:

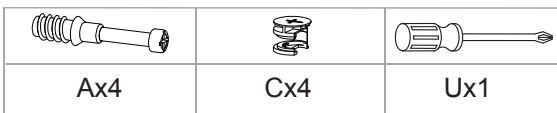
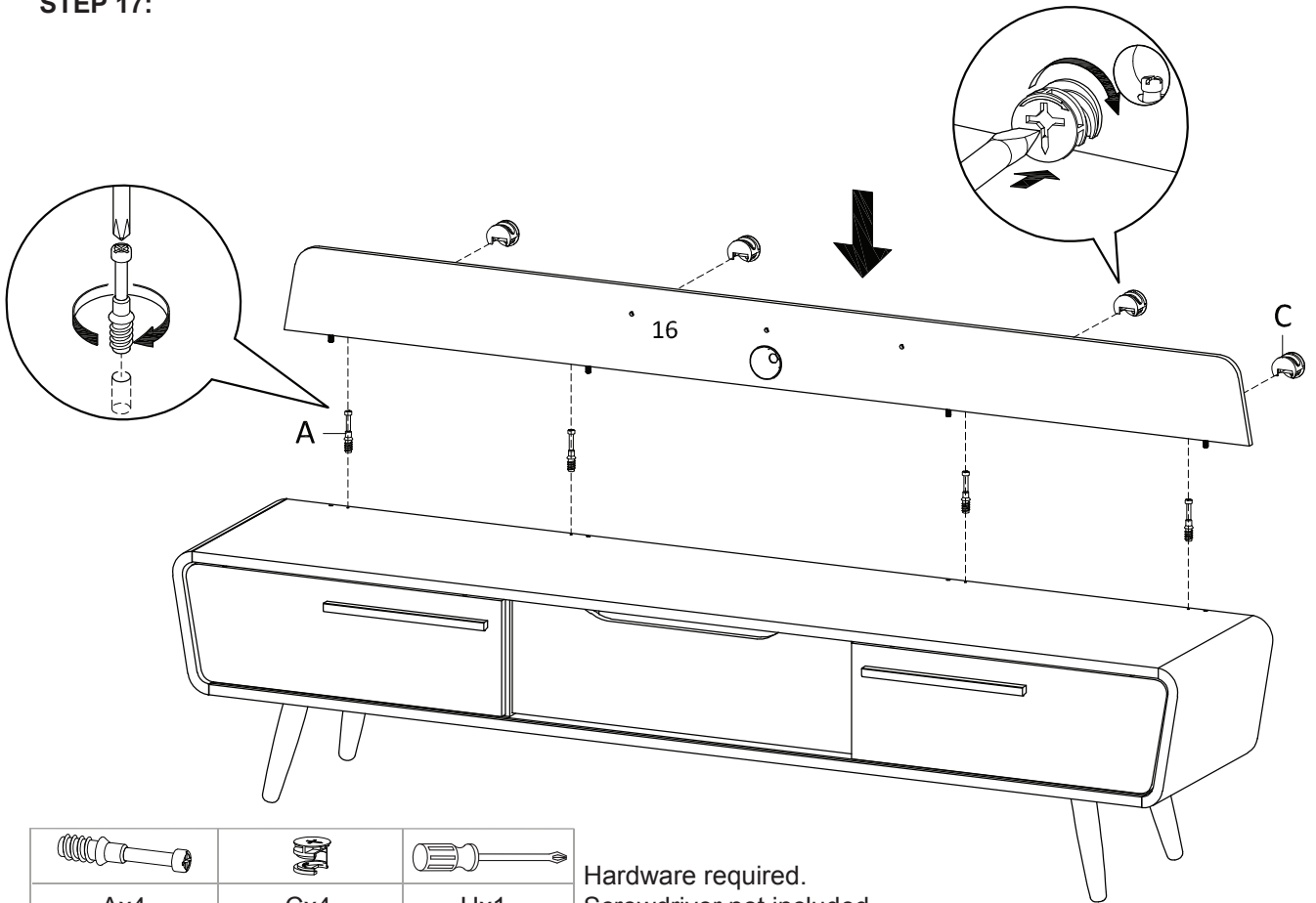


STEP 16:



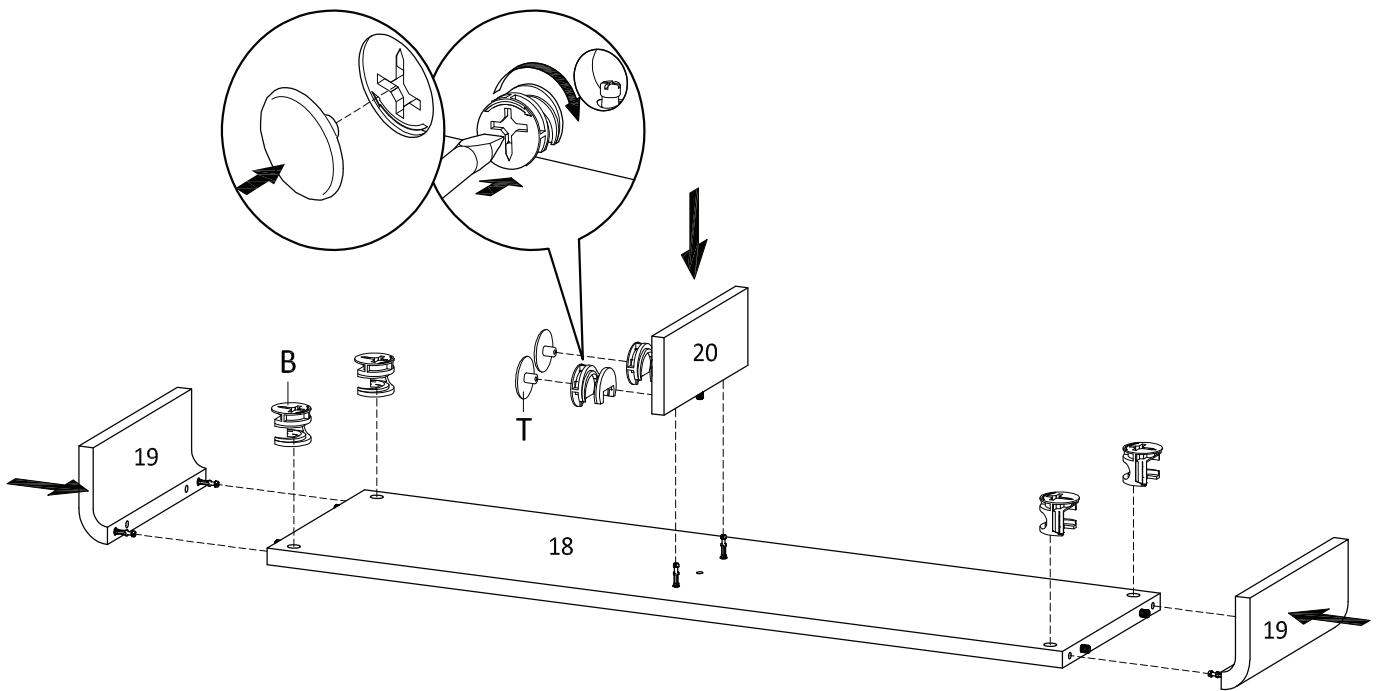
Hardware required.



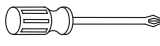
STEP 17:



Hardware required.
Screwdriver not included

STEP 18:

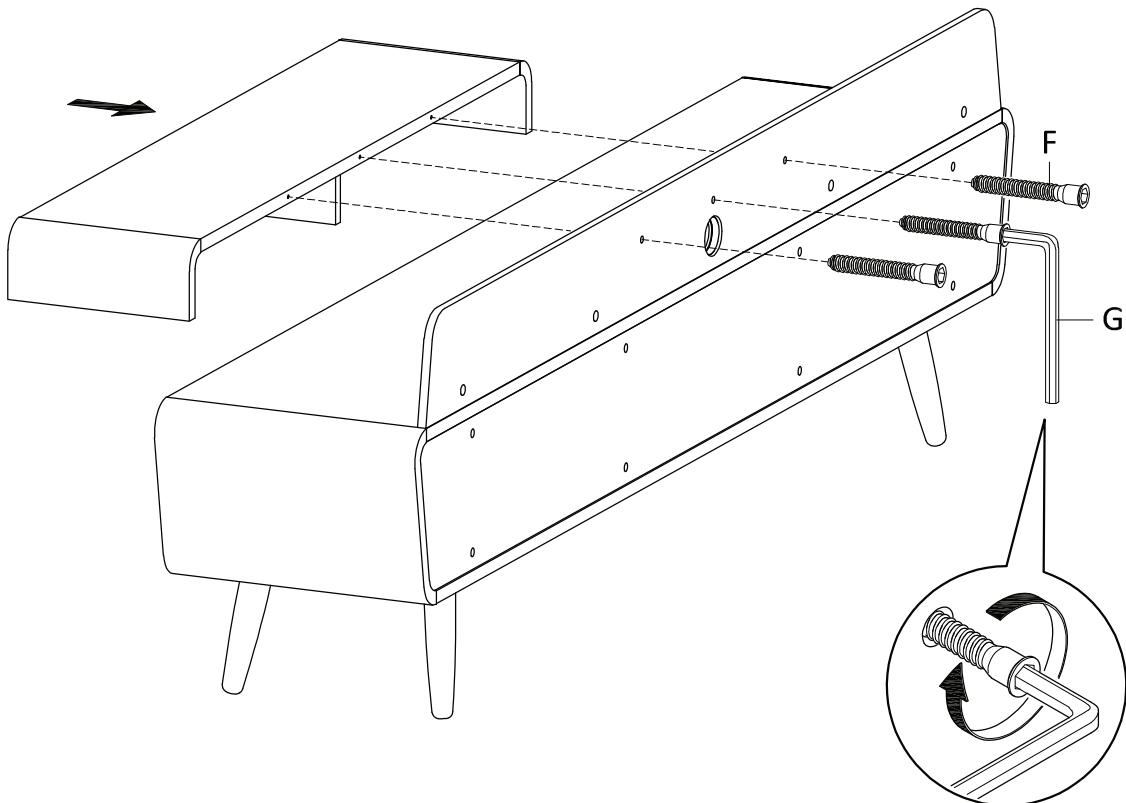




		
Bx6	Tx2	Ux1

Hardware required.
Screwdriver not included

STEP 19:

OPTION 1

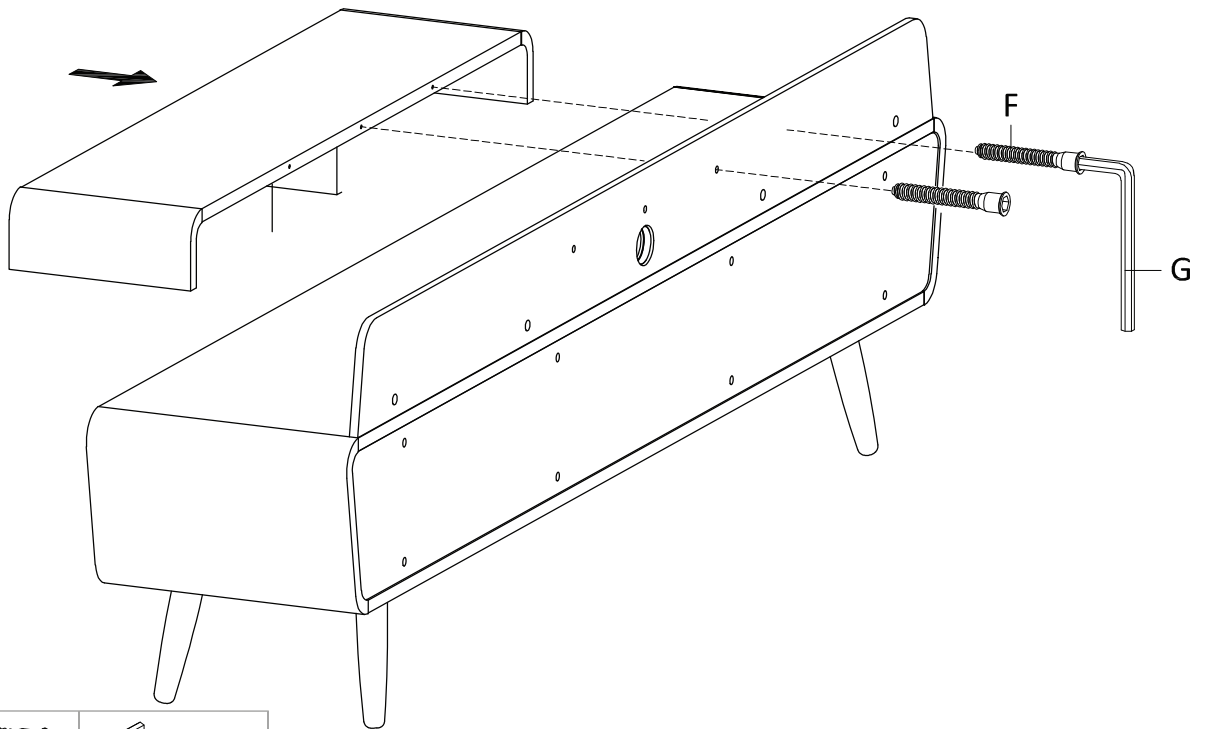




	
Fx3	G

Hardware required.

STEP 20:

OPTION 2

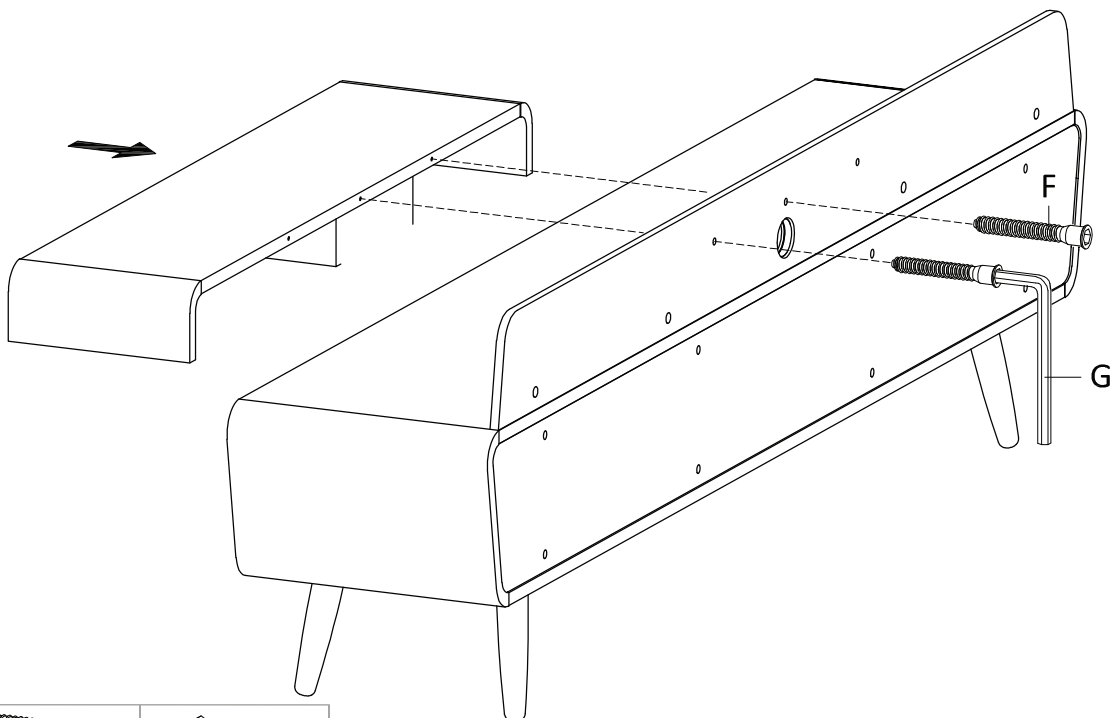




	
Fx2	G

Hardware required.

STEP 21:

OPTION 3

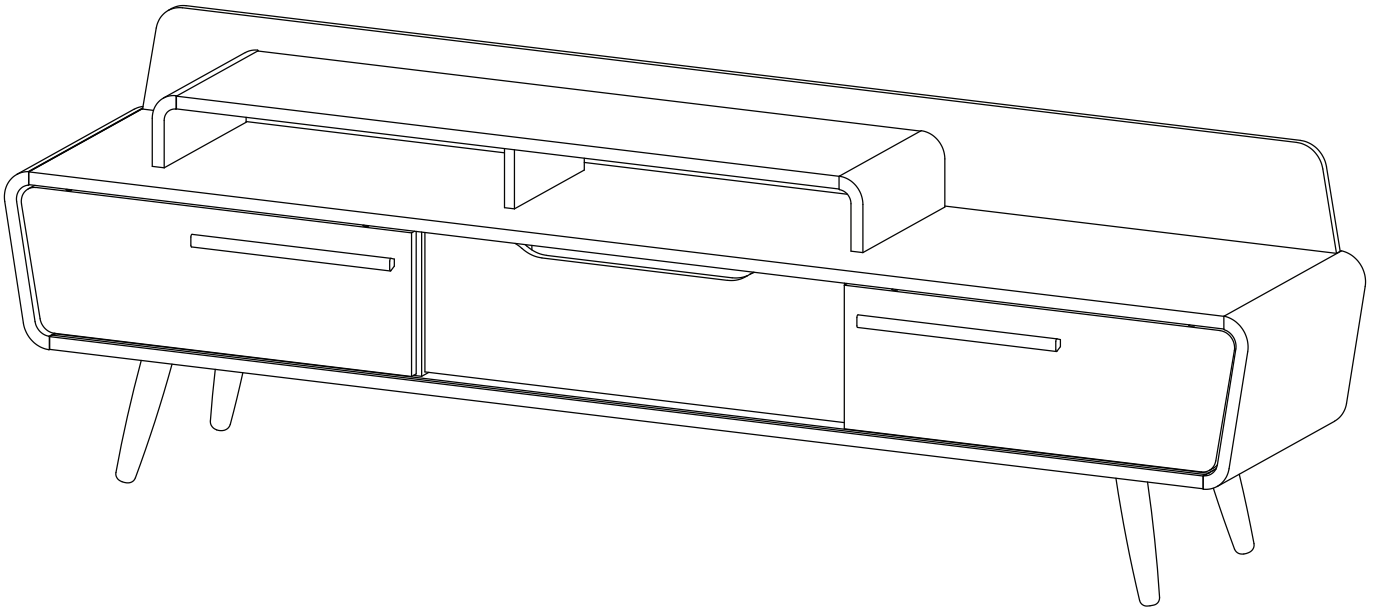


	
Fx2	G

Hardware required.

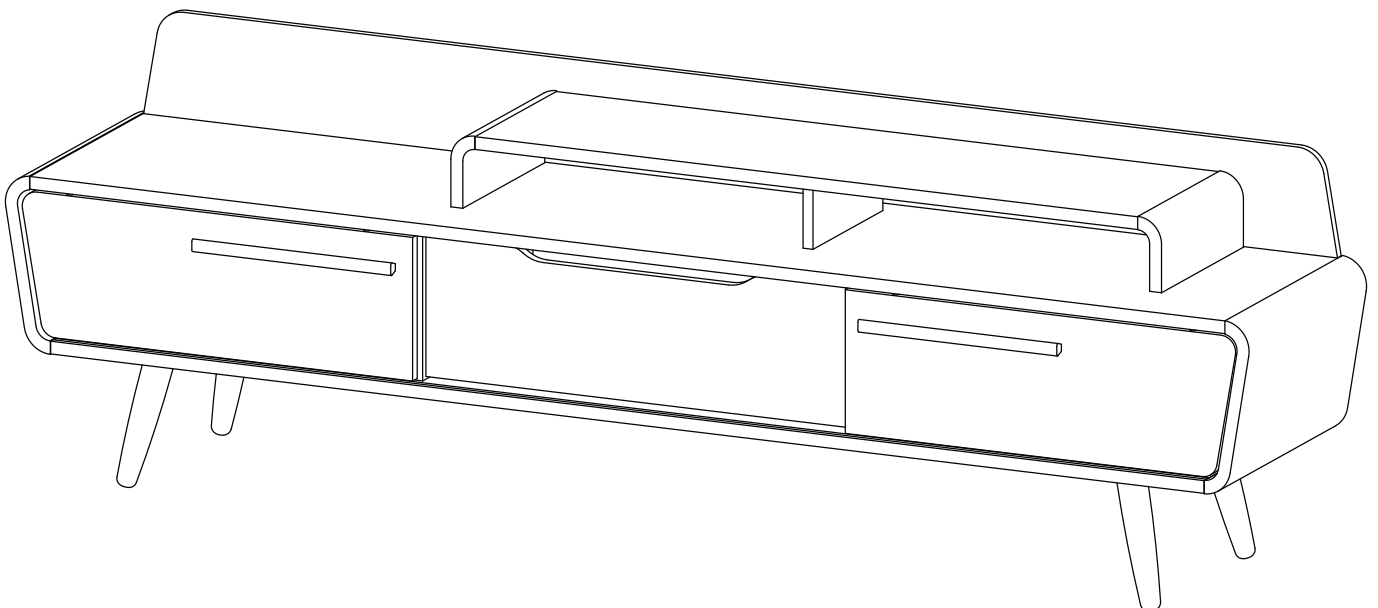
STEP 22:

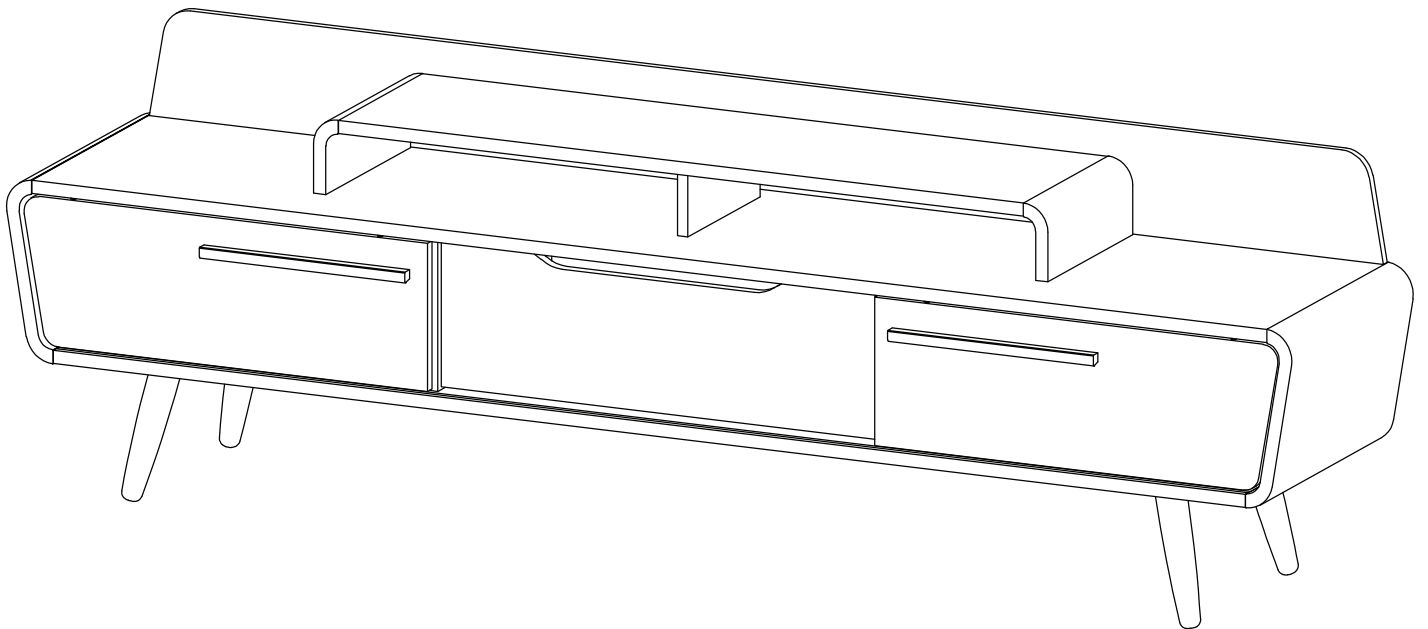
OPTION 2



STEP 23:

OPTION 3





Assembly is complete. The TV Stand is ready to enjoy now !