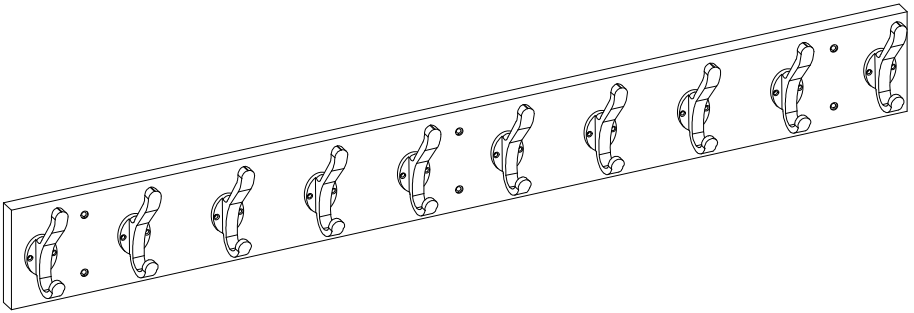
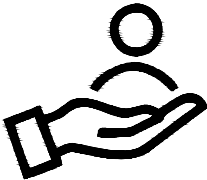


Coat Rack Wall Mount



“



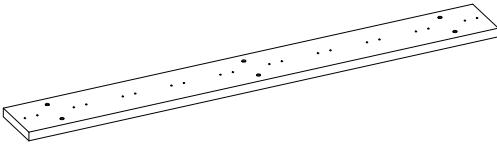
Warm Reminder

If you experience any issues with our product (including missing parts, damage, installation issues, or not meeting expectations), please contact us. We'll ensure satisfactory assistance within 24 hours.

”

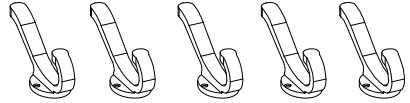
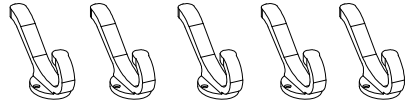
Part List

①



1PC

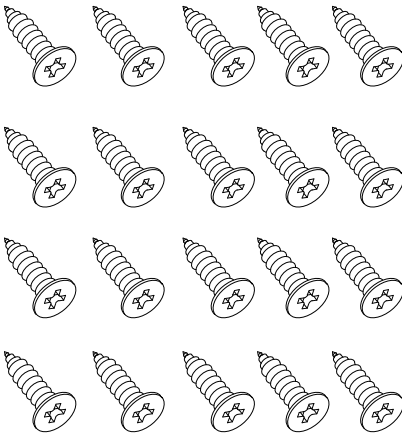
②



10PCS

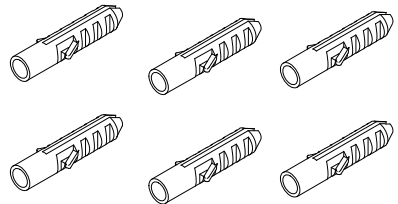
Hardware List

A



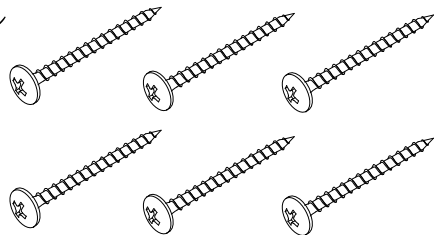
20PCS

B



6PCS

C

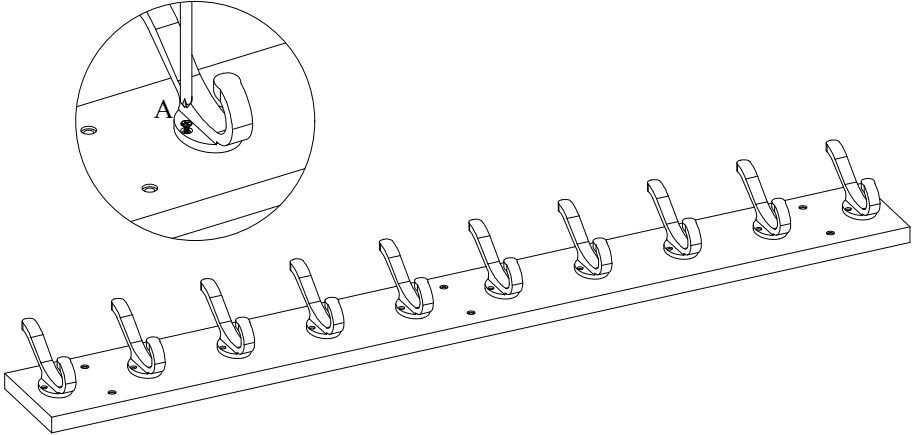


6PCS

Installation Procedure

Step 1

Install the hooks with a screwdriver.



Step 2

Measure the distance between the holes.

Mark six holes in the wall and keep them horizontal.

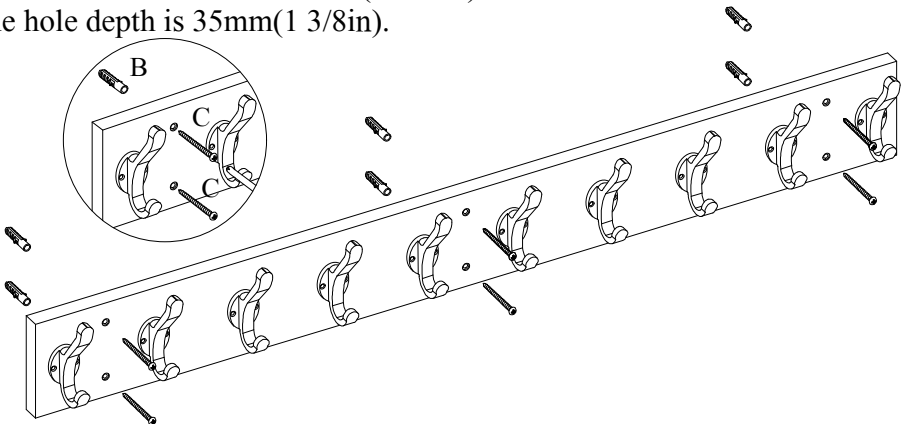
Drill small guide holes with your handheld drill at the mark place.

Insert the Anchors into the wall with your hammer.

Attach the coat hooks to the wall using Screws as shown.

A drill with a diameter of 6mm(15/64in).

The hole depth is 35mm(1 3/8in).



Notice

1. Please read the following instructions carefully and use the product as directed.
2. Avoid allowing any sharp objects to touch or rub against the surface of the product.
3. Before beginning assembly, ensure all parts are present and correct.
4. Do not fully tighten any bolts or screws until the entire unit is assembled. Once all holes have been successfully filled with screws, completely tighten all screws.
5. Avoid using power tools, as they can over-tighten screws and strip threads.
6. This manual may not cover every detail and variation of the assembly steps. Please contact us for further information or assistance if needed.