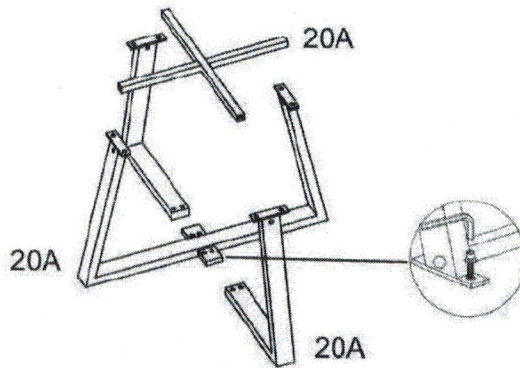


## ASSEMBLY INSTRUCTIONS



**STEP-1** Attached the iron legs and insert the bolt (A), washer (C) will be loosely tight.



**STEP-2** Insert the bolt (A), washer (C) will be loosely tight. Normal grip not full tighten.

