

Limited Warranty Information

Thank you for choosing our product! We aim to please with our wide range of products including Fountains, Birdbaths, Statuary, Pond Supplies & More. All of our products are constructed from the highest quality materials. In the event that we have not achieved our usual standard of excellence, we will repair or replace, at our discretion, within the warranty period. A valid proof of purchase, with the purchase date clearly indicated, must be provided. Photos of defective merchandise will also be required to help distinguish the actual cause of the defect. Please read below for a detailed description of warranty coverage.

- **Water Damage**

The products are not manufactured to withstand extreme temperatures. Improper storage that allows water to freeze within a product may cause damage and is considered negligence and will, therefore not be covered under this warranty. The use of "hard water" and/or caustic cleaners can affect the paint or other finishes. Failure to keep the unit clean, and use of such additives/cleaners, will also void the warranty. Please note: for fountains, it is normal for some splashing to occur and protecting the immediate surfaces is not the responsibility

- **Paint & Color (Retention and/or Loss)**

The use of water will cause natural erosion to the color. This area can be touched up using standard paint. The paint is designed to protect the entire finish against breakdown of color. As with any product, all finishes with time will gradually fade and discolor. The warranty will only cover against severe or complete fading within the first year from date of purchase with the above exclusion.

- **Procedure/Service**

Should a warranty/claim be needed, you should contact the retailer from whom you purchased the product. You must be prepared to show proof of purchase, provide photographs and any other information needed to validate your claim. This may be necessary to distinguish between a partial or complete replacement of a defective product. The warranty does not cover any items with multiple parts; the warranty will ONLY cover the individual component of the unit/item that may be defective. Replacement parts can be made available to a consumer through the original selling party, or an approved parts retailer. If this is not an option, contact our customer service department. **Item is covered under one year limited warranty from the date of purchase. If your purchase was after our 30-day grace period, payment information will be requested for shipping charges.**

- **Not Covered Under Warranty**

The limited warranty will NOT cover cases of damages due to

1. Inadequate care and/or neglect
2. Environmental and/or natural elements
3. Immersion in water, unless specified
4. Improper Installation/Storage and/or Maintenance

This warranty is void if the product has been damaged by accident, misuse, negligence, improper installation and/or modifications have occurred. This includes any and/or all defects arising out of freezing water damage, hard water damage, failure to keep the unit clean and free of harmful additives such as bleach, chlorine, etc.... which affects the paint and/or parts. This warranty also does not cover any additional charges or installation, removal, disposal and/or shipping costs or consequential damage associated with any warranty claim.

Owner's Manual

Rustic Wooden Potting Hutch with Shelves and Drawers



Assembling & Using Your Product

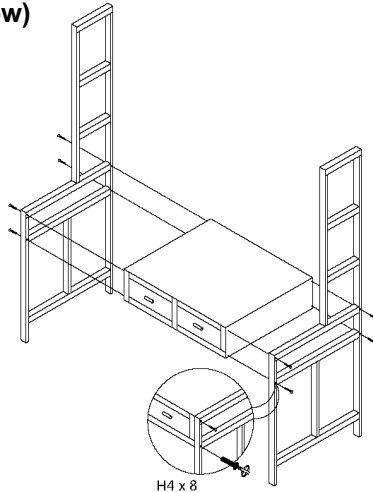
Unpack all components carefully. Please check to ensure all parts have been removed from the packaging.

Components:

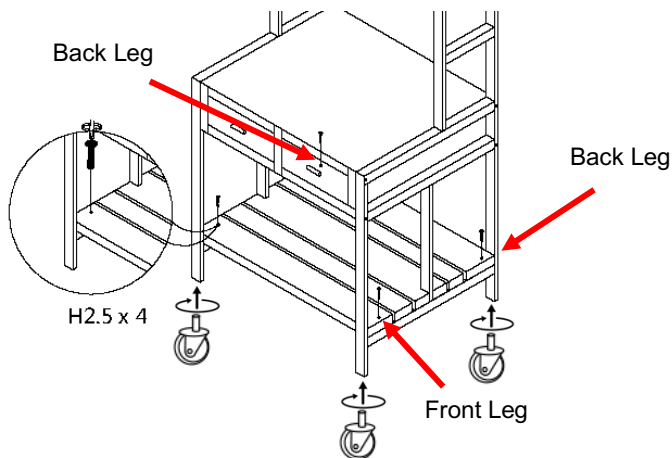
- | | | |
|----------------------|-----------------------|--------------------|
| A. Base Support (1x) | D. Shelf Divider (4x) | G. H2.5 Screw (4x) |
| B. Sides (2x) | E. Back Cover (1x) | H. H4 Screw (18x) |
| C. Drawer (1x) | F. Top Cover (1x) | I. Wheels (4x) |

Assembly:

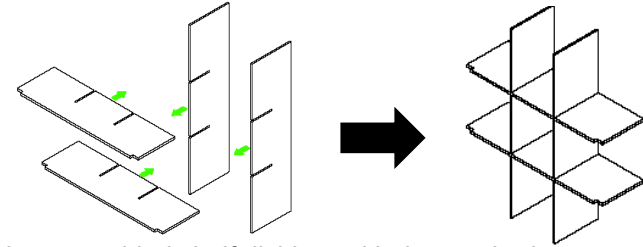
1. Place all the components on a flat leveled surface.
2. Place the two sides (B) parallel to each other. Position the drawer (C) between them and secure with eight (8) H4 screws (H), placing one screw on each corner of the sides (B). Turn each screw clockwise tightly to secure. **(See diagram below)**



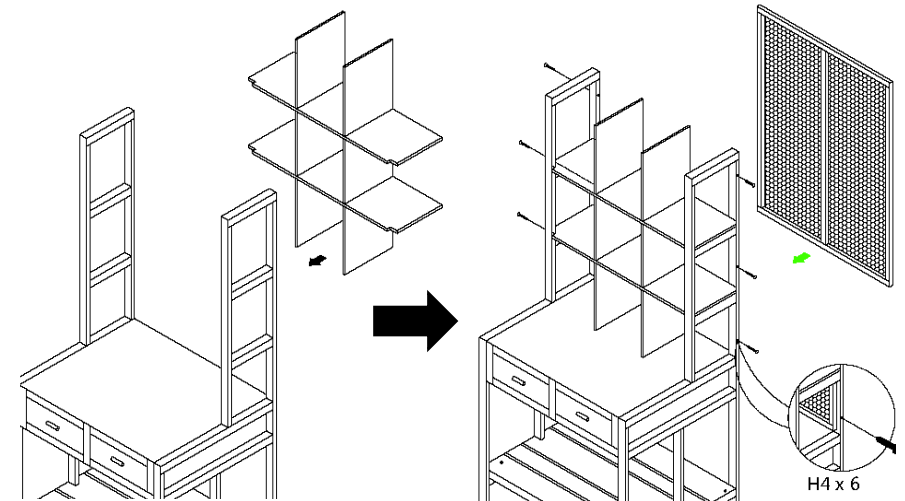
3. Place the base support (A) between the sides (B) below the drawer (C). Secure with four (4) H2.5 screws (G), one on the top side of each corner of base support (A). Turn each screw clockwise tightly. Then screw Wheels (I) clockwise into bottom of each leg. **(See diagram below)**



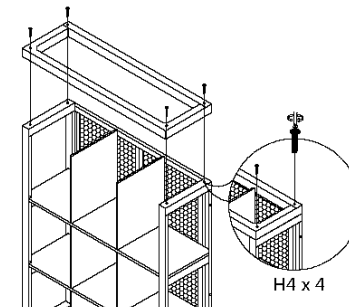
4. Assemble the four (4) shelf dividers by positioning two (2) vertically and the other two (2) with notched corners horizontally. Then insert the vertical and horizontal dividers together into the cut-outs. **(See diagrams below)**



5. Place the assembled shelf dividers with the notched corners facing the front between the sides (B) and rest on the drawer (C). Then, fit the back cover (E) against the shelf dividers (D) between both sides (B). Secure with three (3) H4 screws (H) on each side (B). Turn each screw clockwise tightly. **(See diagrams below)**



6. Place the top cover (F) at the top of the assembled shelf, aligning corners to the top of both sides (B). Secure with four (4) H4 screws (H), one at each corner. Turn each screw clockwise tightly. **(See diagram below)**



Congratulations, your potting bench is now assembled. Enjoy!