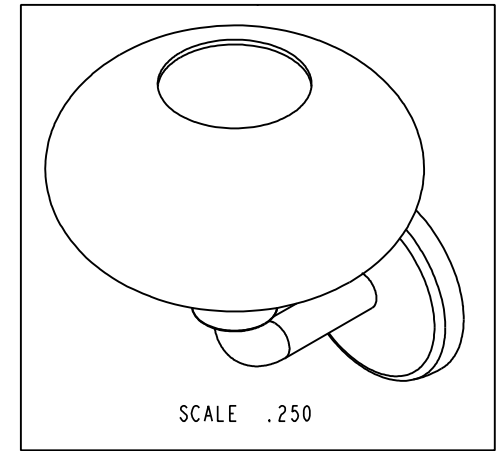
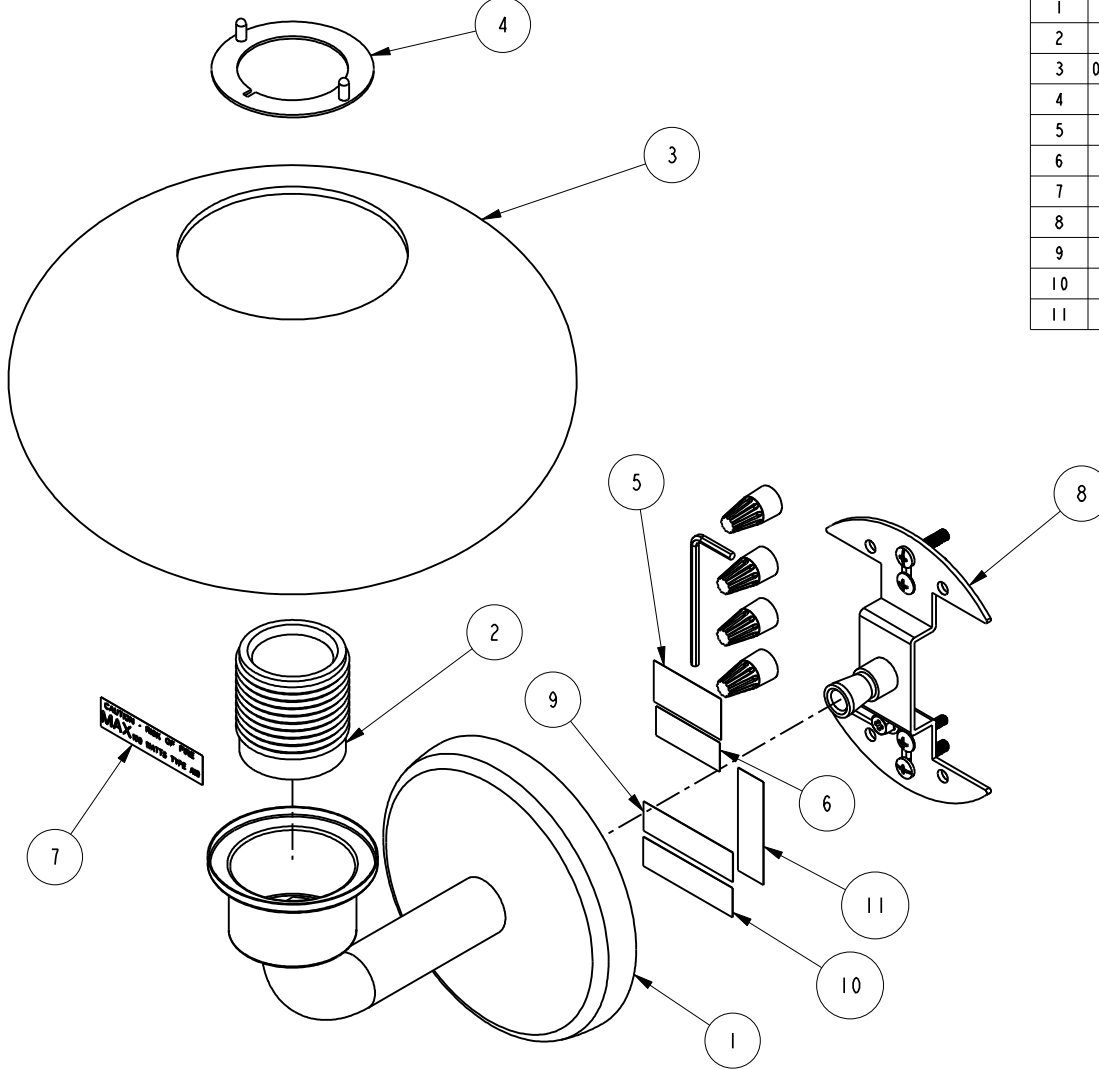


NOTES:

(N1) 1. FIT / FORM / FUNCTION SHALL FOLLOW PS-E.008.

BILL OF MATERIAL (CURRENT LEVEL)

ITEM	PT/ASSY	DESCRIPTION	TYPE	QTY.
1	0381-BA	LIGHT BODY	ASSEMBLY	1
2	ML6-12	PORCELAIN LAMPHOLDER	PART	1
3	0381-G-S0	GLASS SHADE	PART	1
4	9395	STEEL RING	PART	1
5	98006	LABEL, UL LISTED	PART	1
6	98079	LABEL, MONTH YEAR E222146	PART	1
7	98101	LABEL, 100 WATTS MAX	PART	1
8	CB-002	LIGHT MOUNTING PACK	ASSEMBLY	1
9	98012	LABEL, WALL MOUNT ONLY	PART	1
10	98113	LABEL, PNXXX INCANDESCENT FOR DAMP LOCATIONS	PART	1
11	98088	LABEL, MIN 75 C SUPPLY CONDUCTORS	PART	1



TESTING	-	-	-
ASSEMBLY	-	-	-
PLATING	-	-	-
POLISHING	-	NEXT ASSY	USED ON
MACHINING	-	APPLICATION	
TOOLING FIXTURE #	REMOVE ALL BURRS AND SHARP EDGES		

UNITS ARE: INCHES [MM]
 TOLERANCES ARE:
 FRACTIONS DECIMALS ANGLES
 $\pm 1/16"$.X $\pm .1$ [2,5] $\pm 1^\circ$
 .XX $\pm .06$ [1,3]
 (X.XXX) DENOTES CRITICAL DIMS.
 ALL THREADS ARE CRITICAL

BRASSTECH 2001 CARNEGIE AVE.
 INCORPORATED SANTA ANA, CA 92705
 (949) 417-5207

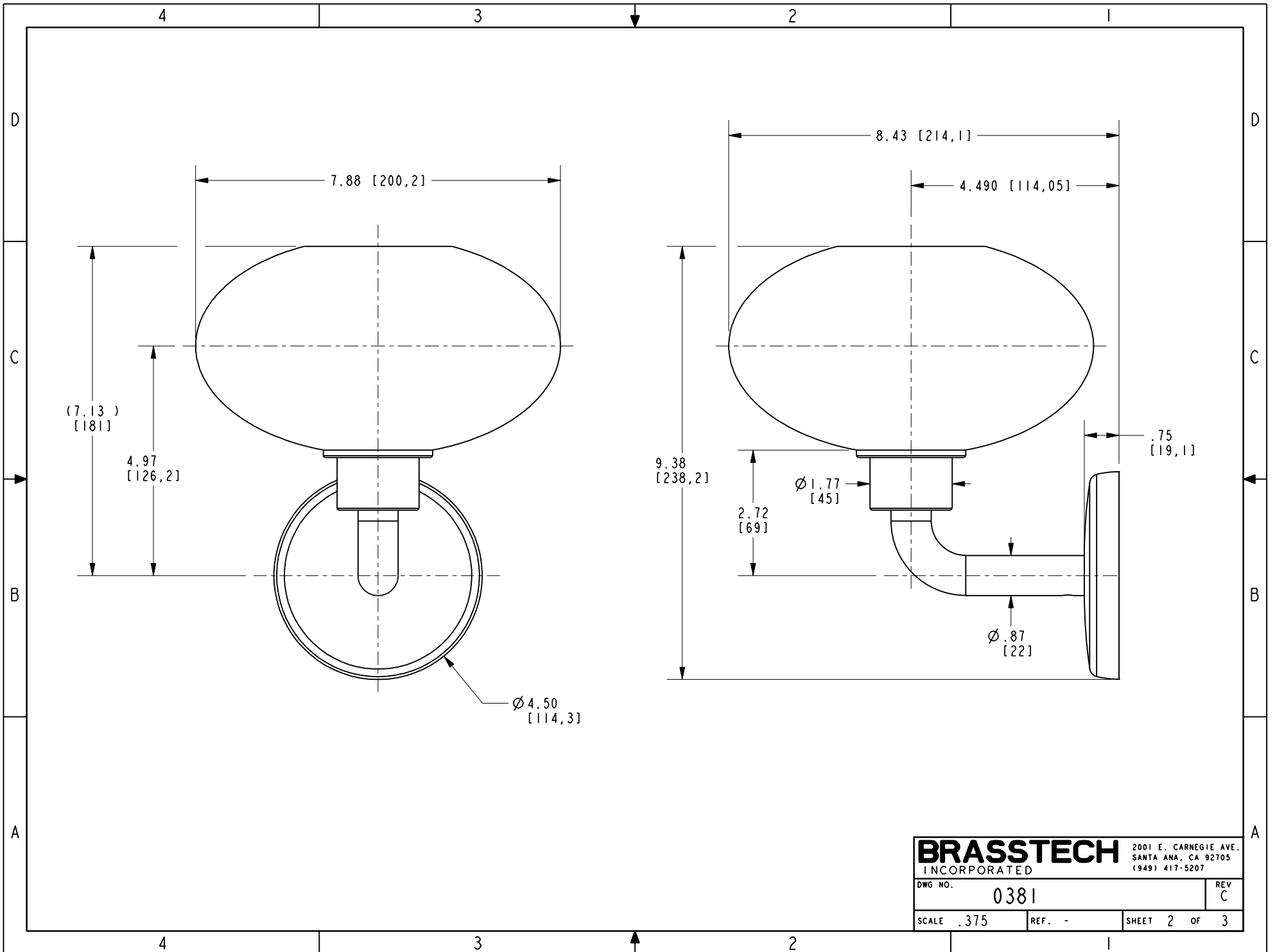
SINGLE LIGHT WITH SATIN
 ETCHED OPAL GLASS

-	C	EN-3127	08/29/16	R.S.
-	B	EN-2506	04/19/13	-
-	A	EN-1383	11/06/09	-
ZONE	REV	DESCRIPTION	DATE	APPROVED

COPYRIGHT 2005 BRASSTECH, INC.
 THESE DRAWINGS AND THE DESIGNS
 DEPICTED HEREIN ARE THE PROPRIETARY
 PROPERTY OF BRASSTECH. ANY USE
 OR REPRODUCTION IS SUBJECT TO
 THE EXPRESS APPROVAL OF BRASSTECH.
 UNAUTHORIZED USE IS STRICTLY
 PROHIBITED. ALL RIGHTS RESERVED.

DRAWN	VINAY	08/29/16
CHECKED	RAVINDRA	08/29/16
APPROVED	R.S.	08/29/16

DWG NO.	0381	REV	C
SCALE	.375	REF.	-
SHEET	1	OF	3



BRASSTECH		2001 E. CARNEGIE AVE.	
INCORPORATED		SANTA ANA, CA 92705	
		(949) 417-5207	
DWG NO.	0381	REV	C
SCALE	.375	REF.	-
		SHEET	2 OF 3

4

3

2

1

D

D

C

C

B

B

A

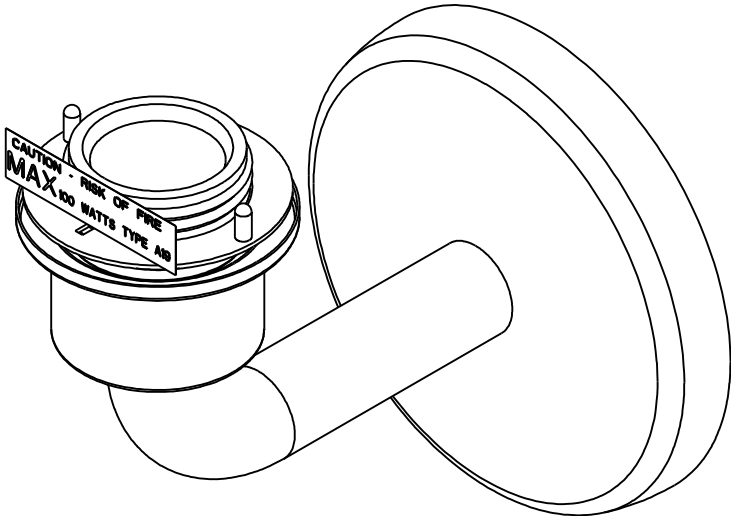
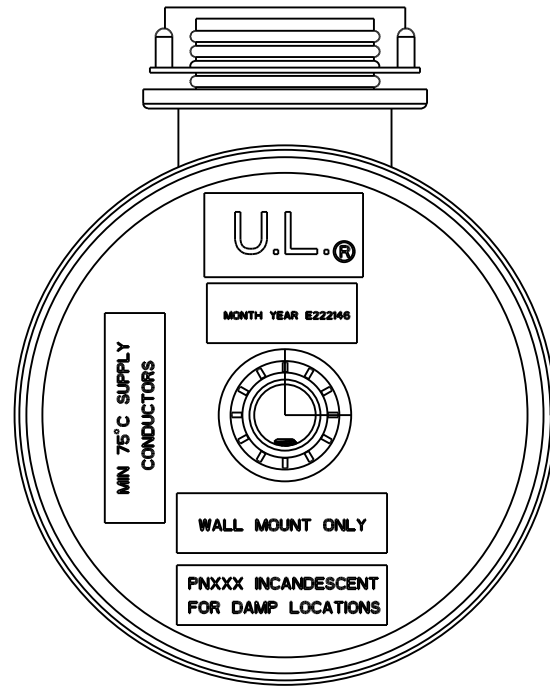
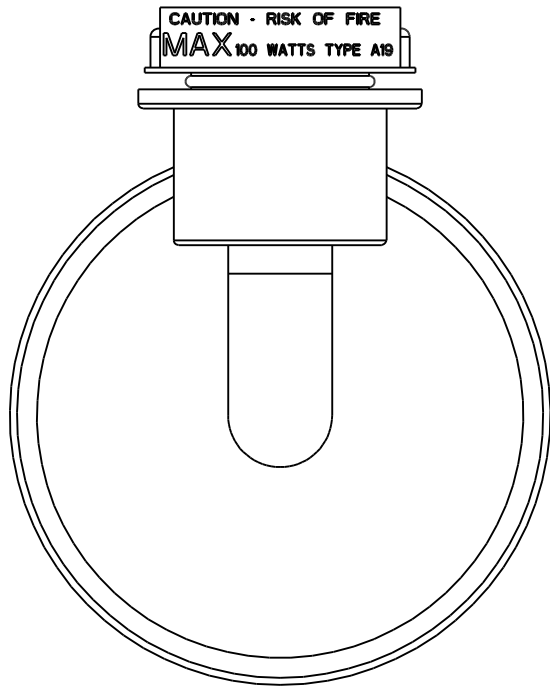
A

4

3

2

1



BRASSTECH		2001 E. CARNEGIE AVE. SANTA ANA, CA 92705 (949) 417-5207	
INCORPORATED			
DWG NO.	0381	REV	C
SCALE .625	REF. -	SHEET 3 OF 3	