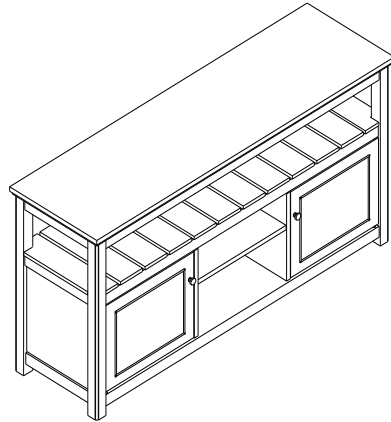


# TV Stand

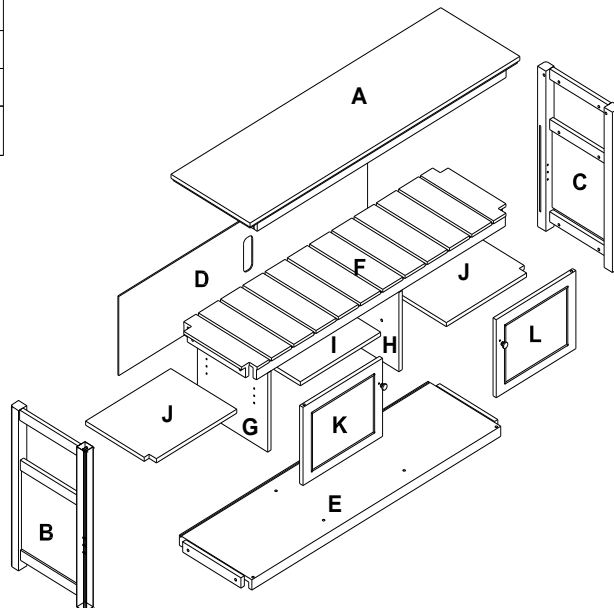


Thank you for purchasing the TV Stand . We have found it helpful to have a second person present during the assembly process.

## Accent Table Assembly Instructions

### Parts

NO.	DRAWING	DESCRIPTION	QTY.	NO.	DRAWING	DESCRIPTION	QTY.
A		TOP	1	N		M6*35MM BOLT	12
B		SIDE PANEL-L	1	O		M6*30MM BOLT	8
C		SIDE PANEL-R	1	P		M6*40MM BOLT	2
D		BACK	1	Q		M6*60MM BOLT	2
E		BOTTOM	1	R		METAL KNOB	2
F		SLATS SHELF	1	S		KNOB SCREW	2
G		VERTICAL DIVIDER-L	1	T		HEADLESS BOLT	1
H		VERTICAL DIVIDER-R	1	U		SHELF SUPPORT	8
I		MIDDLE SHELF	1	V		WRENCH	1
J		SHELF	2	W		WOOD DOWEL	4
K		DOOR-L	1				
L		DOOR-R	1				
M		CENTER POST	1				



## Step 1

Read through these instructions thoroughly before beginning assembly. We have found this to be of great value when assembling this product.

---

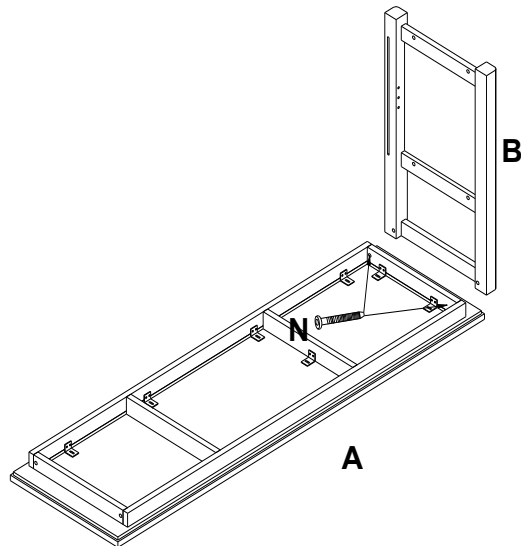
## Step 2

Remove all parts and hardware from packing material. Wooden pieces should be placed on a non abrasive surface to prevent damage to the finish.

---

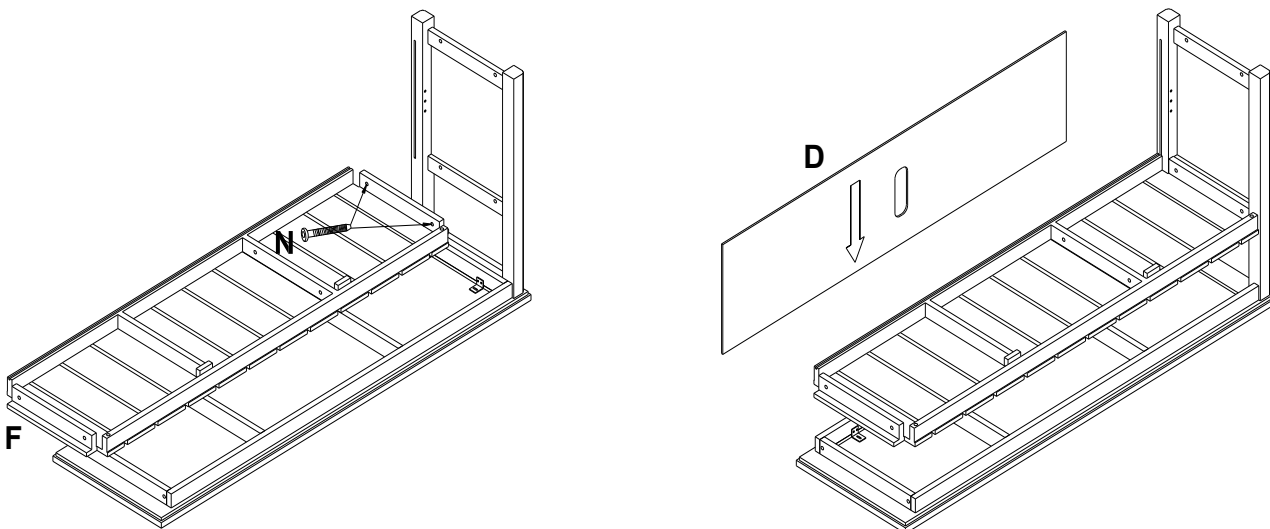
## Step 3

Lay Top Assembly (A) upside down on a non abrasive surface. Attach Side Assembly (B) using 2-35MM Hex Bolts (N). **NOTE: Do not tighten firmly at this time.**



## Step 4

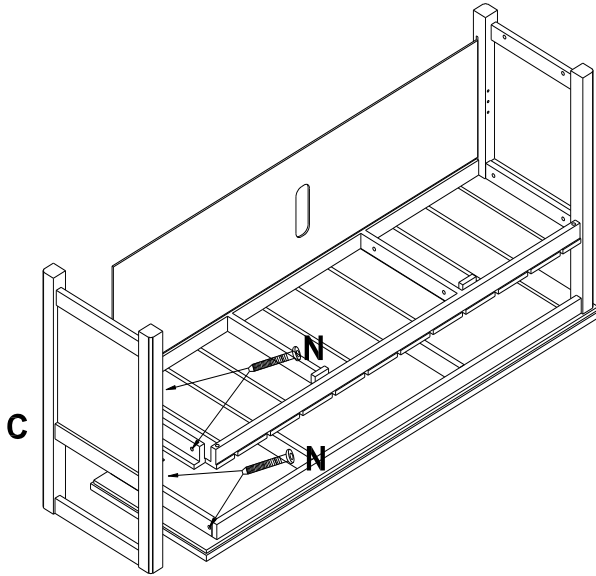
Attach Slat Shelf (F) to Side Assembly (B) using 2-35MM Hex Bolts (N). **NOTE: Do not tighten firmly at this time.** Align Back Panel (D) with grooves in Side Assembly (B) & back rail on underside of Top Assembly (A) - Slide Back Panel (D) in to place.



## Step 5

Attach Side Assembly (C) to Top Assembly and Slat Shelf (A & F) using 4-35MM Hex Bolts (N).

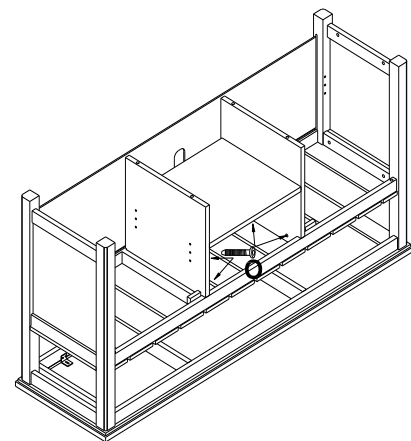
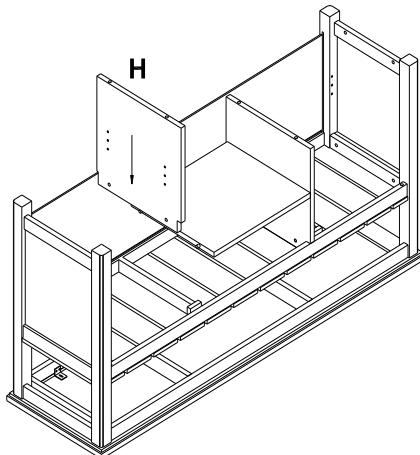
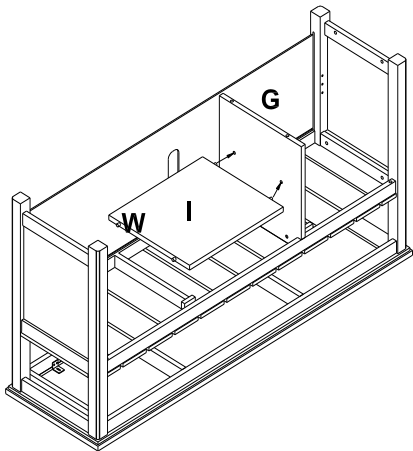
**NOTE: DO NOT TIGHEN FIRMLY AT THIS TIME.**



---

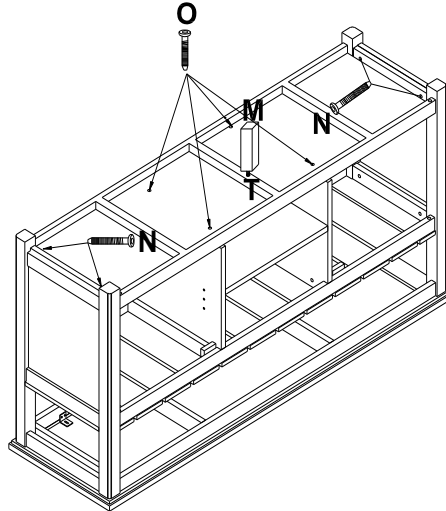
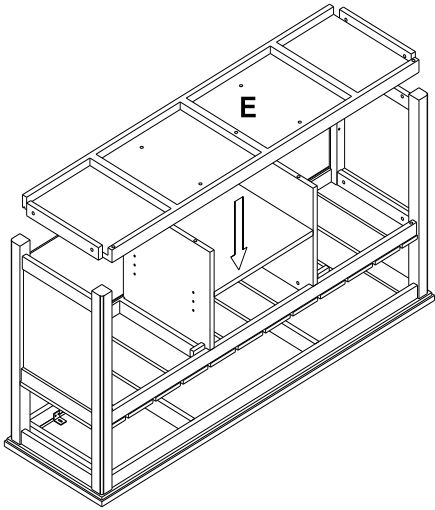
## Step 6

Align thru holes in Vertical Dividers (G & H) with inserts in underside of Slat Shelf. Insert 4 Dowel Pins (W) into holes in edge of Middle Shelf (F). Position Middle Shelf (I) between Vertical Dividers by aligning the dowels in the shelf to holes in Vertical Dividers. Attach Vertical Dividers to underside of Slat Shelf using 4 - 30MM Hex Bolts (O). **NOTE: DO NOT TIGHEN FIRMLY AT THIS TIME.**



### Step 7

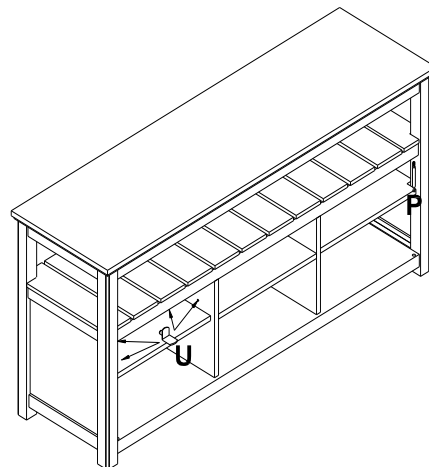
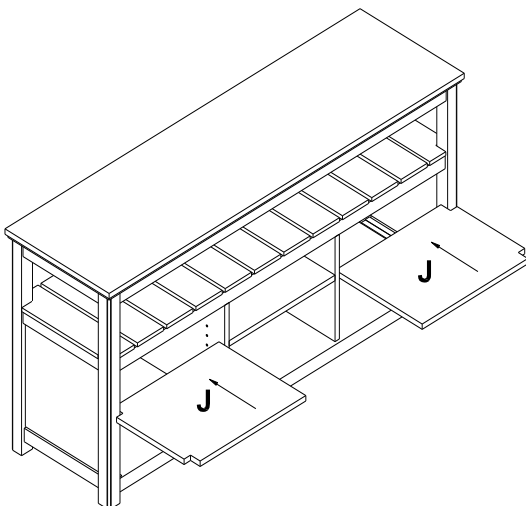
Attach Bottom (E) to Side Assemblies using 4-35MM Hex Bolts. Attach Bottom (E) to Vertical Dividers using 4 - 30MM Hex Bolts (O). Attached Center Post (M) by threading it in to insert on undside of Botom Panel (E). **NOTE: AT THIS TIME TIGHEN ALL HEX BOLTS.**



---

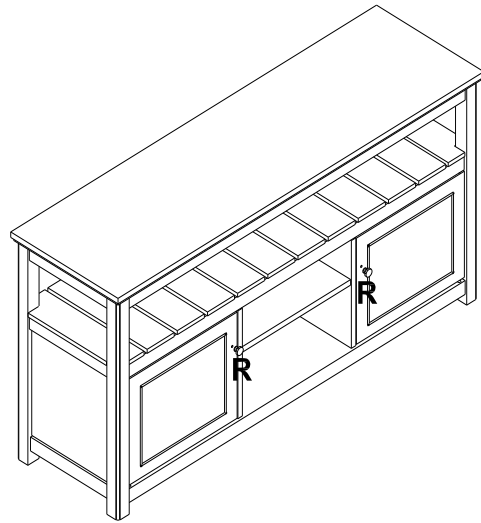
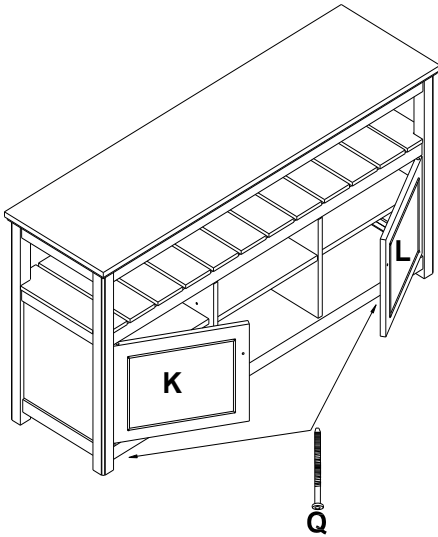
### Step 8

Set TV Cabinet upright. Insert Adjustable Shelf Clips (U) in right and left lower sections of TV Cabinet at desired level of Adjustable Shelves. Position Adjustable (J) on to the Adjustable Shelf Clips - seat Adjustable Shelves down firming on the Adjustable Shelf Clips. Insert 2 M6 \* 40MM Bolts (P) in to the threaded inserts on the bottom side of top rail in Slat Shelf (F). These are the pivot bolts for the Left & Right Doors.



## Step 9

Attach Left & Right Doors (K & L) by aligning the Hole in top edge of door with the Pivot Bolt on underside of top rail. Secure the door in place by threading 1 M6 \* 60MM bolt (Q) thru the threaded insert in the front bottom rail and in to the hole in the bottom edge of Doors (K & L). Thread completely in so that door is secure and swings freely. Install Metal Knob (R) to Doors (K & L) using Knob Screw (S).



---

## CARE

Clean with a non abrasive cloth using a mild soap. Make sure to wipe dry.

---