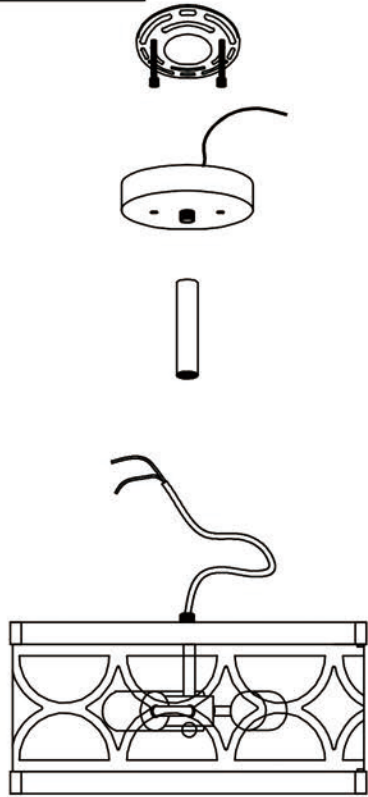
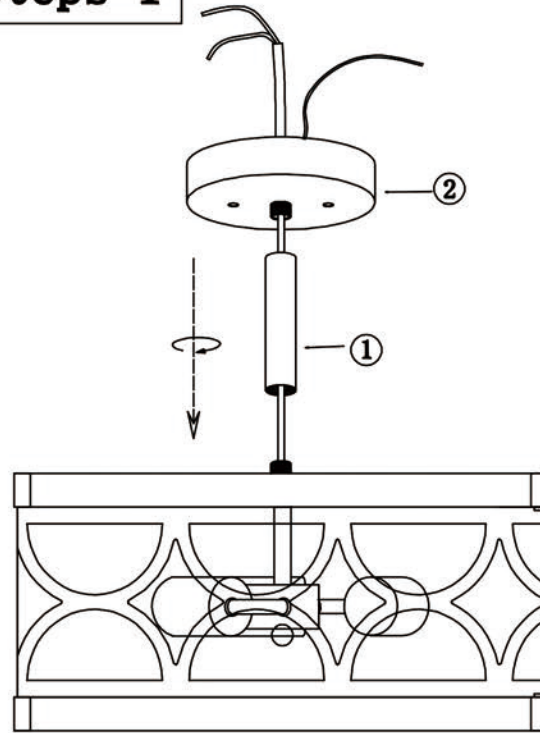


Parts

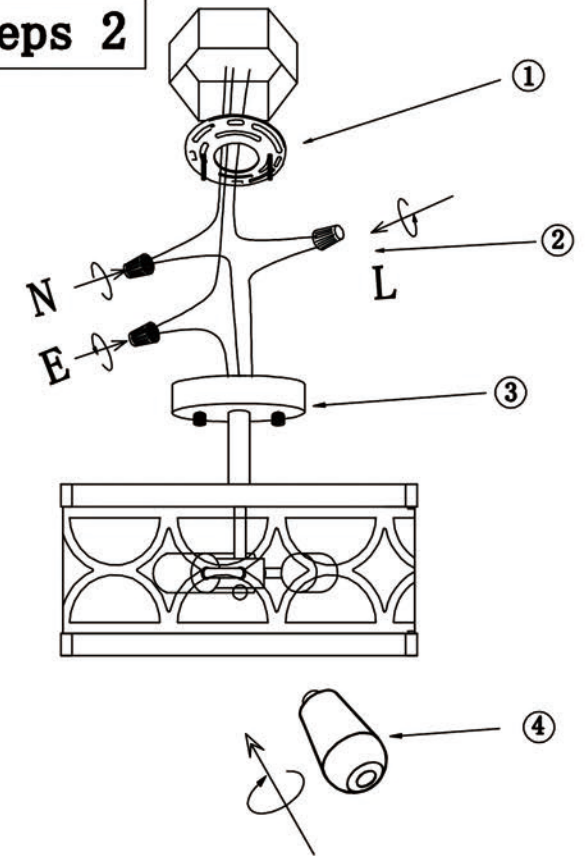


Steps 1



1. Let the wire go through the hanging tube 1, rotate to install the tube to the fixture.
2. Let the wire go through the canopy 2, rotate to install the canopy to the fixture.

Steps 2



1. Install the bracket to the ceiling junction box with screw.
2. Connect the wire to your home line with cap connectors.
3. Install the light fixture to the bracket with cap nuts.
4. Install the bulb.

