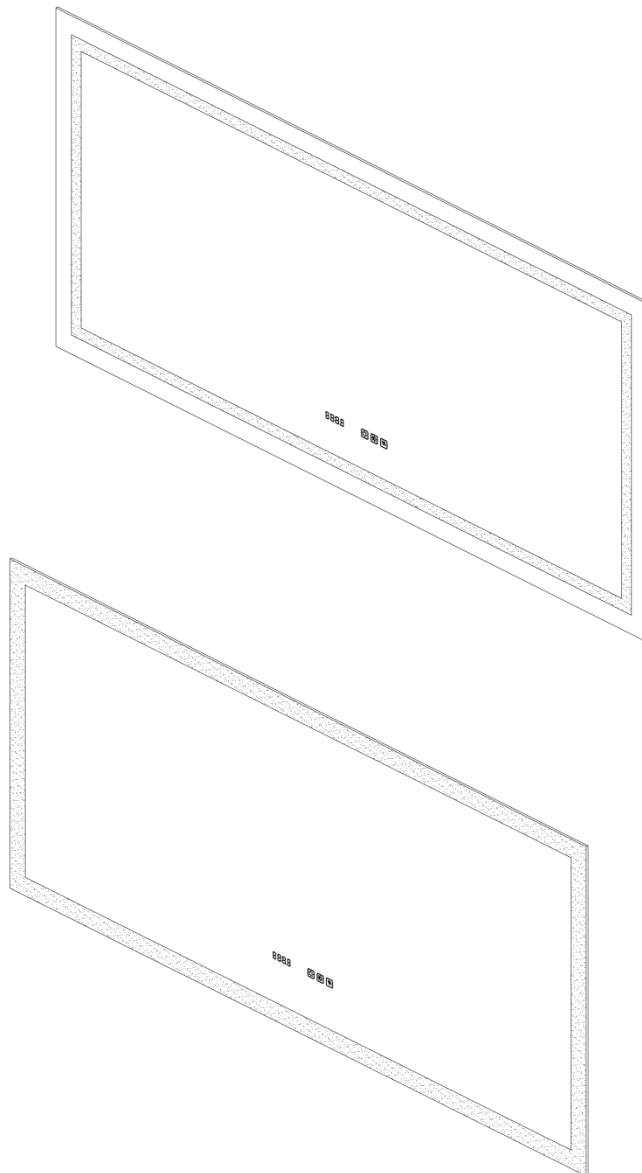

Installation and Operating Manual



WARNING AND SAFETY INSTRUCTIONS

Before assembling your LED Lighted Mirror fixture, please make sure that you carefully read through this instruction sheet, refer back to them during installation to ensure your product is fitted safely and correctly. Keep these instructions for future use.

WARNING Risk of Fire and Electric Shock

- All fittings must be installed in accordance with current IEE wiring regulations. If in doubt, consult a qualified electrician.
- Switch off the electrical supply at the main circuit board BEFORE installation and maintenance.
- Suitable for indoor use only. This product should be positioned well away from curtains and fabrics. Never cover the mirror.
- Regularly check the cord, the transformer and all other parts for damage. If any part is damaged the product should not be used.

INSTALLATION SAFETY

- Inspect the product immediately upon receipt for the transit damage or missing parts. Handle the product with care and protect against knocks to all sides and edges of the glass.
- Ensure there are no hidden pipes or cables in the wall before drilling.
- Wear suitable eye protection when drilling. Take care if drilling on tiled surfaces in case the drill slips.



CAUTION

The light source of this product is non-changeable light diodes (LED). Do not disassemble the product, as the light diodes can cause damage to the eyes.

NOTE: The important safeguards and instructions that appear in this manual are not meant to cover all possible conditions and situations that may occur. It must be understood that common sense, caution and care, are factors that can't be built into any product. These factors must be supplied by the person(s) caring for and operating the fixture. Do not install this fixture in hazardous locations.

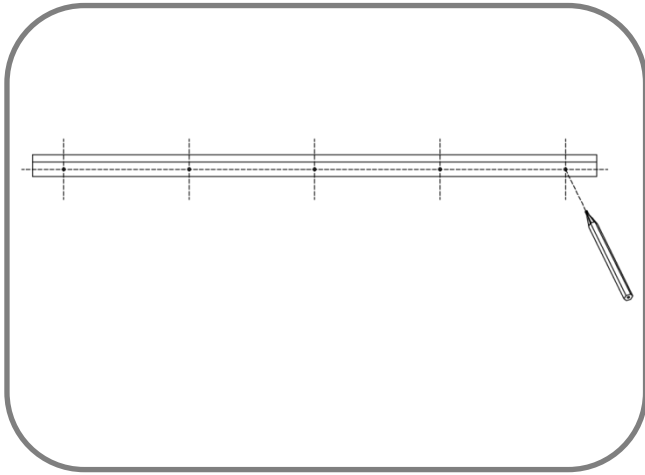
CHECK PRODUCT LIST AFTER OPENING THE PACKAGE

- LED Lighted Mirror --1pce
- Screw --6pcs
- Expansion Tube --6pcs
- Installation Manual --1pce

TOOLS YOU MAY NEED

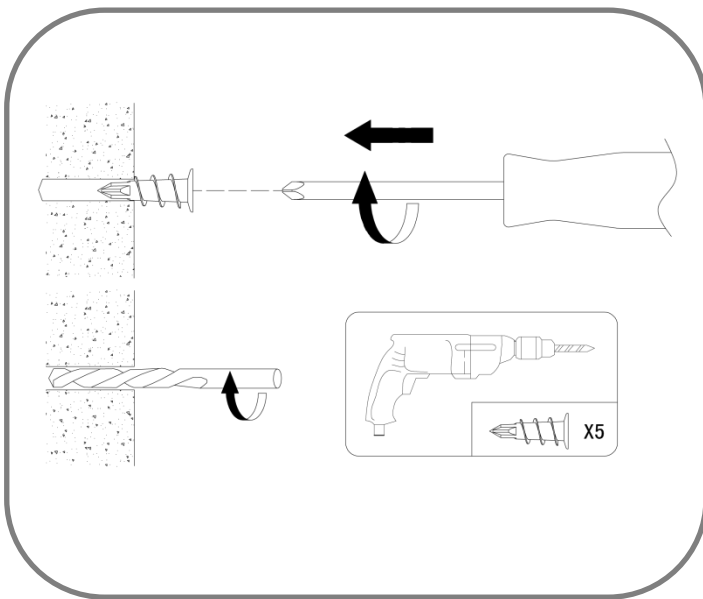


INSTALLATION MANUAL



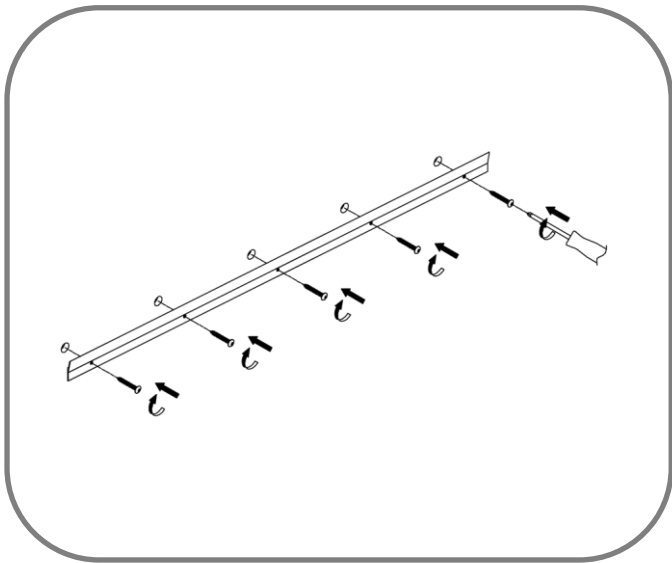
1

- Measure the center of the holes and mark the drilling locations.
- Ensure markings are leveled.



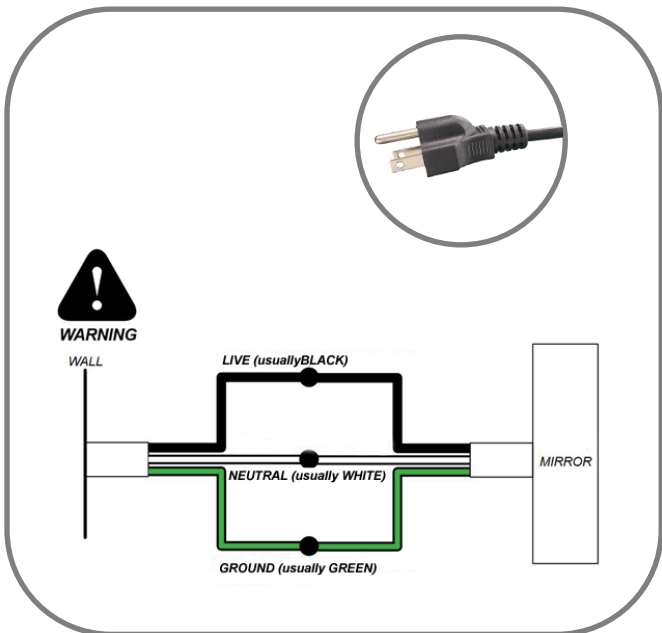
2

- Using a drill, make holes and fill with supplied wall plugs.



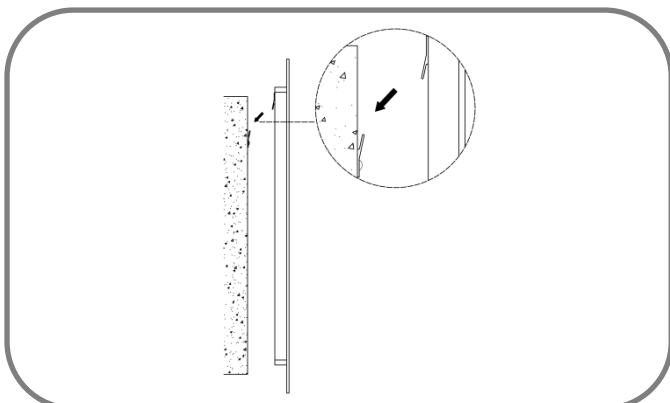
3

- Align the mounting bracket with the wall plug hole and screw the bracket to the wall.



4

- We provide plug with mirrors.
- Optional to cut the plug directly and connect to electrical wiring if using wall switch.
- ATTENTION: Please cut off the main power supply before wiring!



5

- Place the mirror against the wall and slide down as shown in image.

OPERATION INSTRUCTION

ON/OFF Function



ON/OFF button

- Short press and touch button to turn on/off the mirror.
- Button turns white when connected to main supply & turns to blue when off.
- Long press button to change color temperature.

Dimmer Function



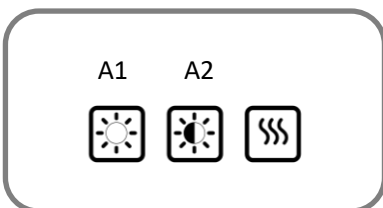
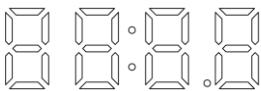
- Short press and touch button to turn on/off the mirror.
- Button turns white when connected to main supply & turns to blue when off.
- Long press button to change brightness.

Anti-Fog Function



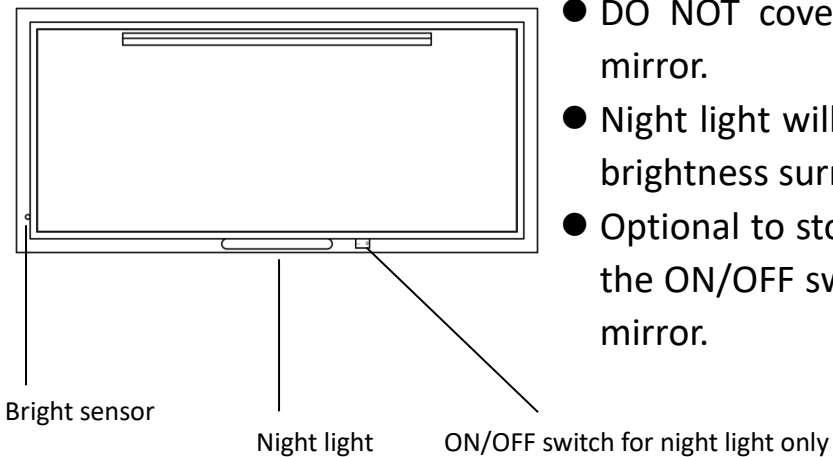
- Short press and touch button to start defogging.
- Button turns white when connected to main supply & turns to blue when off.
- Note: Button turns off after a delay of 60 minutes.

Timer



- Long press the A2 button for 3 seconds to enter the time adjustment mode. In this mode, short press A1 to decrease & A2 to increase time. Each short press will reduce or ascend the value by one. Or you can choose a long press for quick adjustment. After the “hour” adjustment is completed, if there is no more operation for 5 seconds, it will enter the “minute” adjustment mode, whose adjustment operation is the same as the “hour”. And after the “minute” adjustment is finished, it will automatically return to the normal mode if there is no operation for 5 seconds either.
- Note: This product has time display & temperature display function. 5 seconds for time display & 2 seconds will last for temperature display. Each of them alternates. Remember to adjust the timer only after turn off the mirror.

Night Light (For mirror with night light function only)



- DO NOT cover the sensor on bottom of the mirror.
- Night light will be auto-on/off according to the brightness surrounding.
- Optional to stop night light function by tapping the ON/OFF switch at the bottom corner of the mirror.

AFTERCARE INSTRUCTIONS

Clean using a soft dry cloth only when turned off. Never use cleaning agents or abrasive materials. Do not allow moisture to come into contact with lamp.
