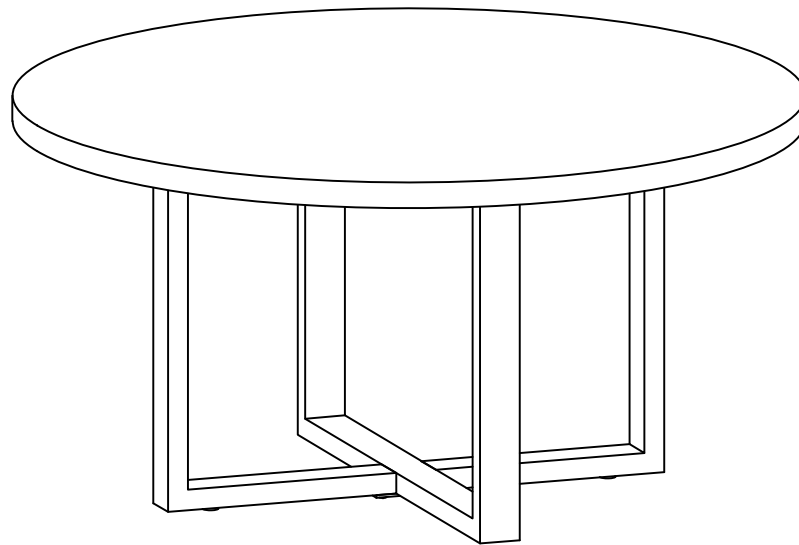


ASSEMBLY INSTRUCTIONS.


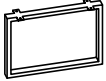
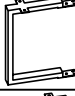

ROUND OUTDOOR DINING TABLE BLACK






THANK YOU FOR YOUR PURCHASE!

PARTS AND HARDWARE.

PARTS LIST

No.	DESCRIPTION	IMAGE	Q'TY
P1	CONCRETE TOP		1
P2	STEEL FRAME		1
P2	STEEL FRAME		1
P2	STEEL FRAME		1

HARDWARE LIST

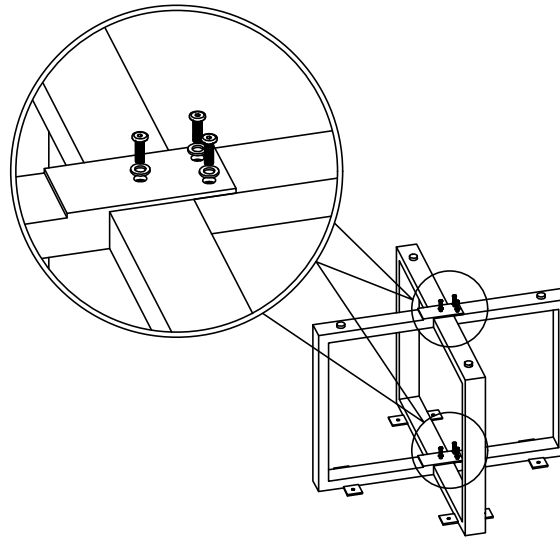
No.	DESCRIPTION	IMAGE	Q'TY
H1	BOLT M8x25		14
H2	WASHER M8x18		14
H3	ALLEN KEY		1

NOTES.

Thank you for purchasing this quality product! Be sure to check all packing material carefully for small part that may have come loose inside the carton during shipping.

CAUTION: The item is heavy, assembly should be performed by two people.

STEP 1.



STEP 2.

