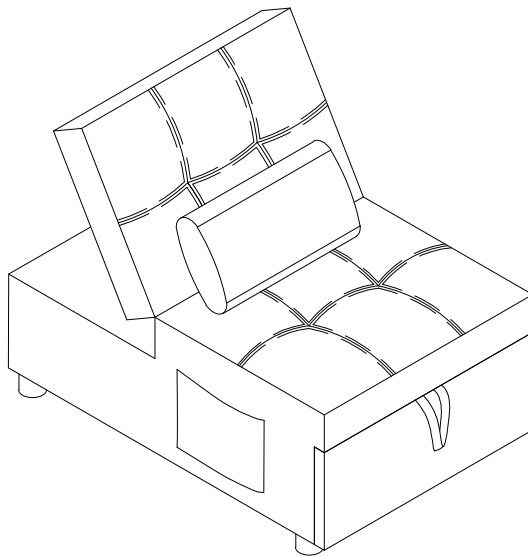
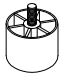




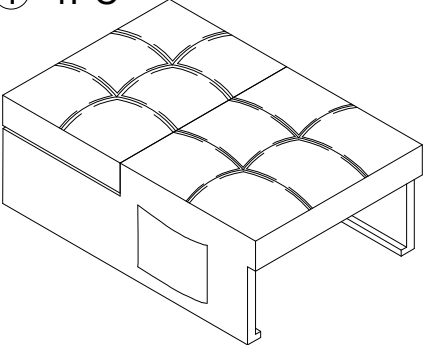
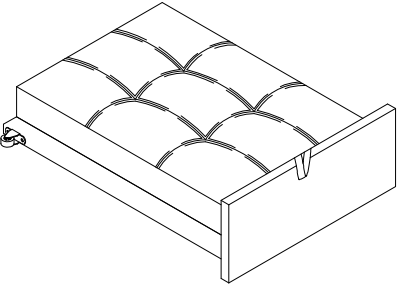
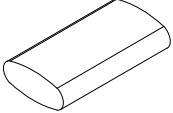


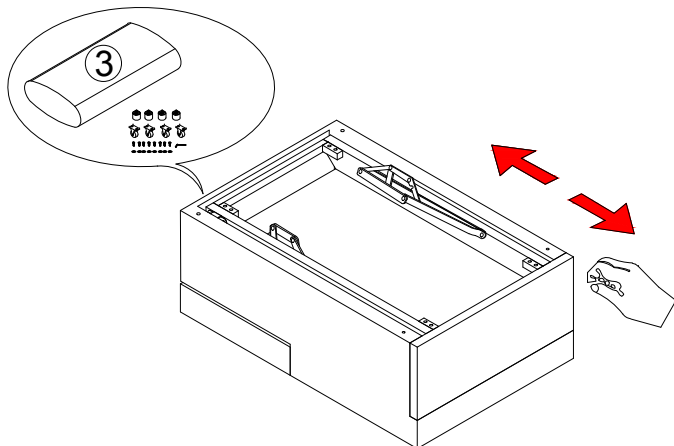
① ASSEMBLY INSTRUCTION

MODEL NO.HC5620

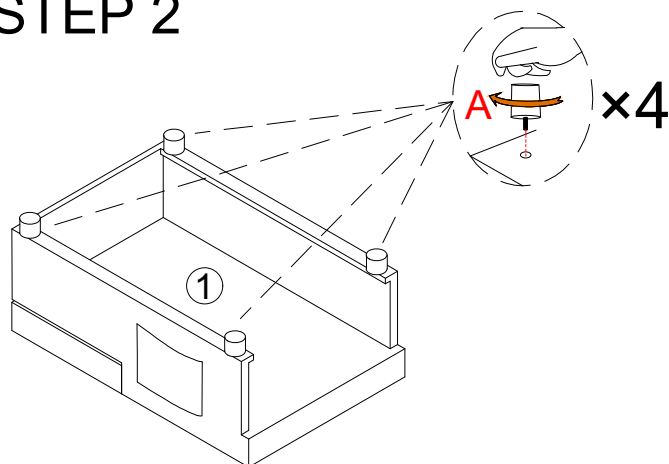


Components/QTY	Components/QTY	Components/QTY
A 4PCS 	B 4PCS 	C 8PCS 
D 8PCS 	E 1PC 	
① 1PC 	② 1PC 	③ 1PC 

STEP 1



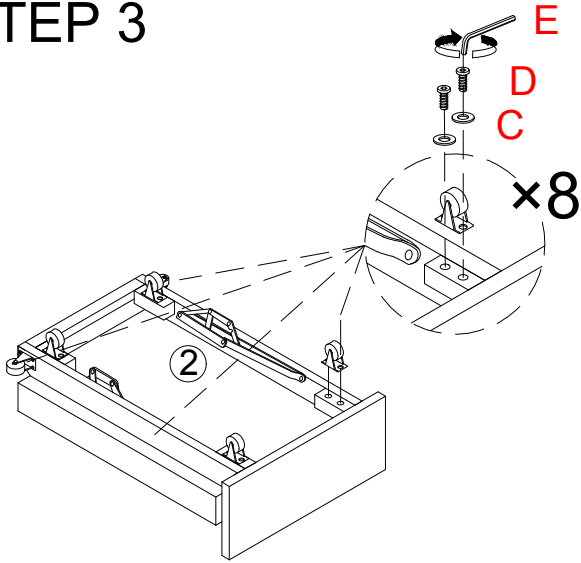
STEP 2



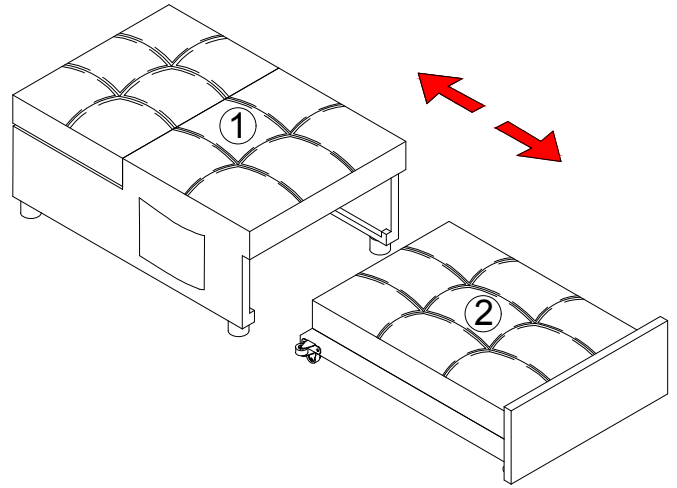
② ASSEMBLY INSTRUCTION

MODEL NO.HC5620

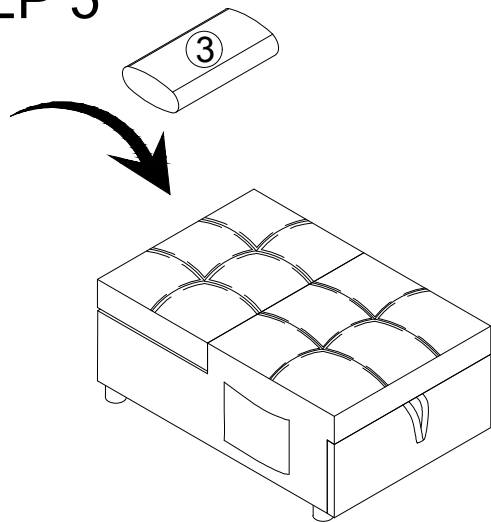
STEP 3



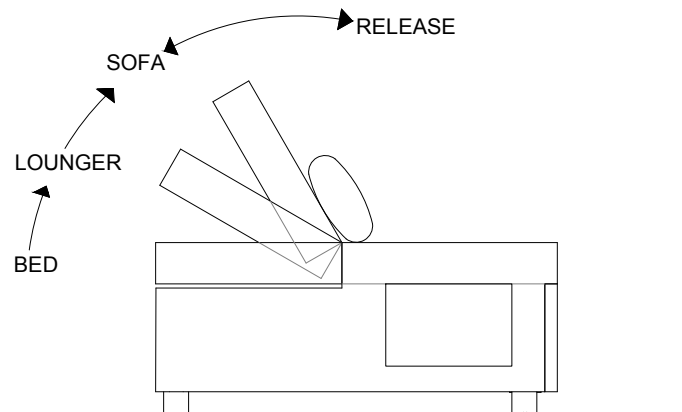
STEP 4



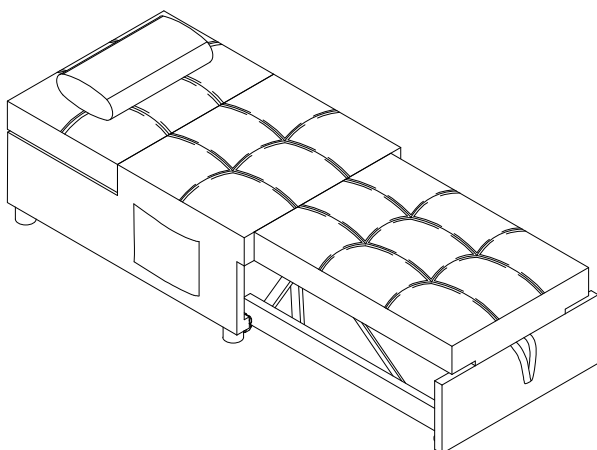
STEP 5



STEP 6



STEP 7



STEP 8

