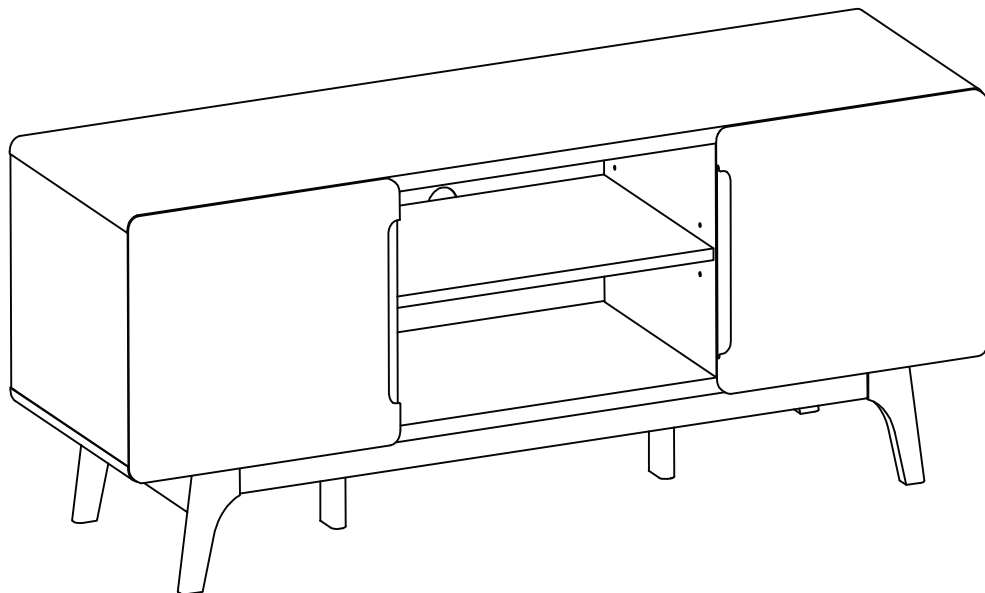


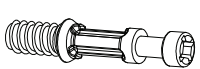

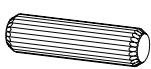
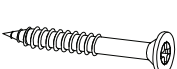
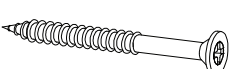
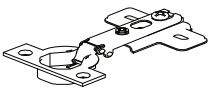


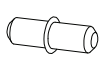



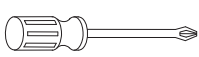
Thank you for purchasing the **TV Stand !**

Before you start, here is some helpful advice:

1. We suggest you spend a short time reading through this leaflet and then follow the simple step-by-step instructions.
2. Owing to the size and weight of the desk, we recommend that it is assembled by two adults, on a carpeted or padded area, in the room that it is intended for. Approximate assembly time: 60 minutes.
3. Please do not use any tools other than those provided or recommended in these instructions.
4. Please do not throw away any of the packaging or instructions until you have checked all the components and hardware and the furniture is fully assembled.
5. Assemble all components loosely until advised to tighten. Depending on use, it may be necessary to tighten the components from time to time, so please save the tools that have been provided.
6. Please keep all pieces out of reach of children.

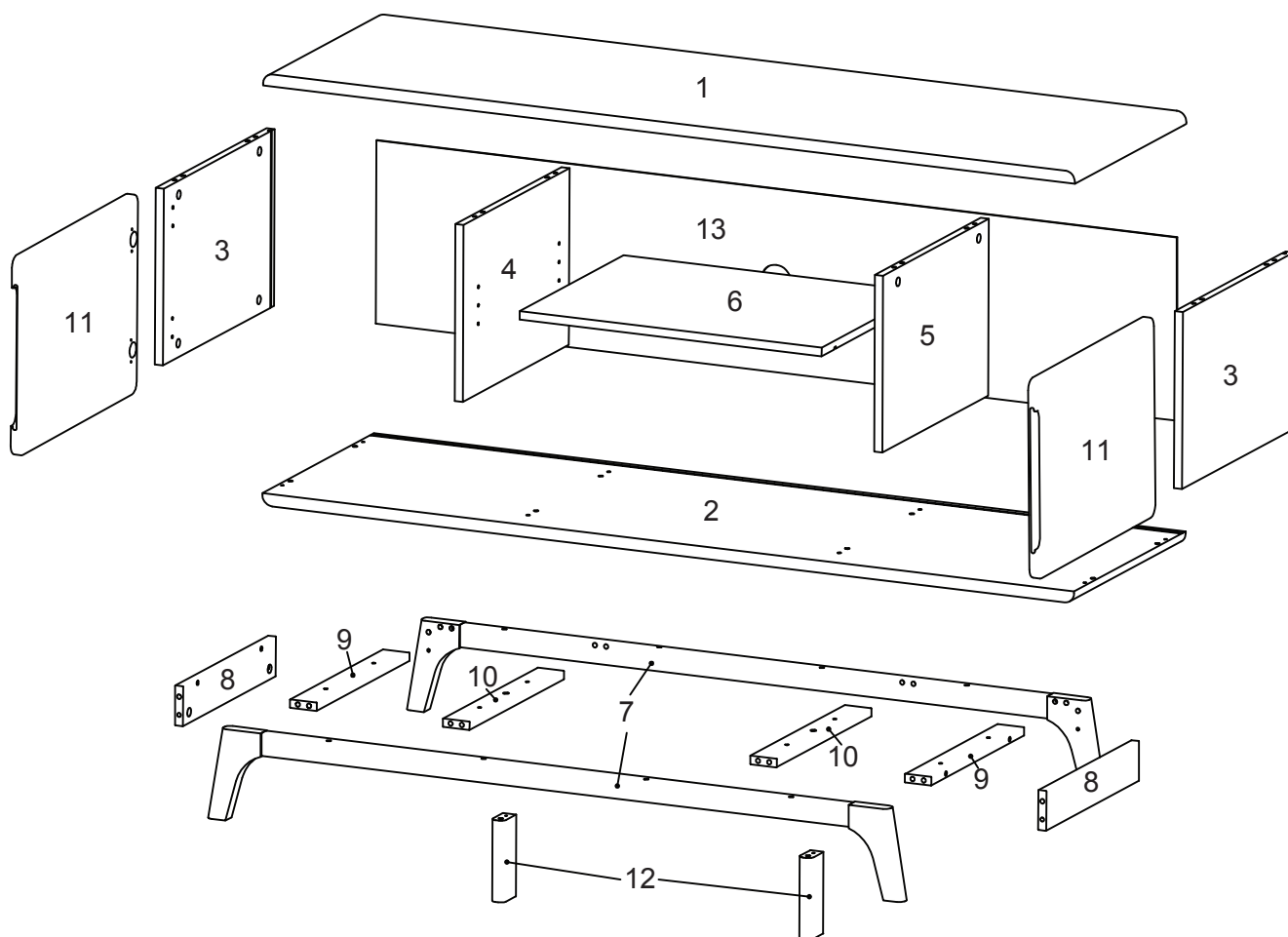


Hardware :

A  x16 $\varnothing 6 \times 35 \text{ mm}$	B  x16 $\varnothing 15 \text{ mm}$	C  x 50 $\varnothing 8 \times 30 \text{ mm}$	D  x 8 M 12 x 35 mm	E  x 6 M 12 x 45 mm
F  x 4 86 x 52 x 11 mm	G  x 8 M 6.5 x 10.5 mm	H  x 8 M 3.5 x 13 mm	I  x 4 $\varnothing 5 \times 15 \text{ mm}$	J  x 10 M 3.5 x 15.5 mm
K  x 10 9 x 14 x 10 mm	L  x 4 $\varnothing 8 \text{ mm}$	M  x 1 Screwdriver (Not Include)		

TV Stand

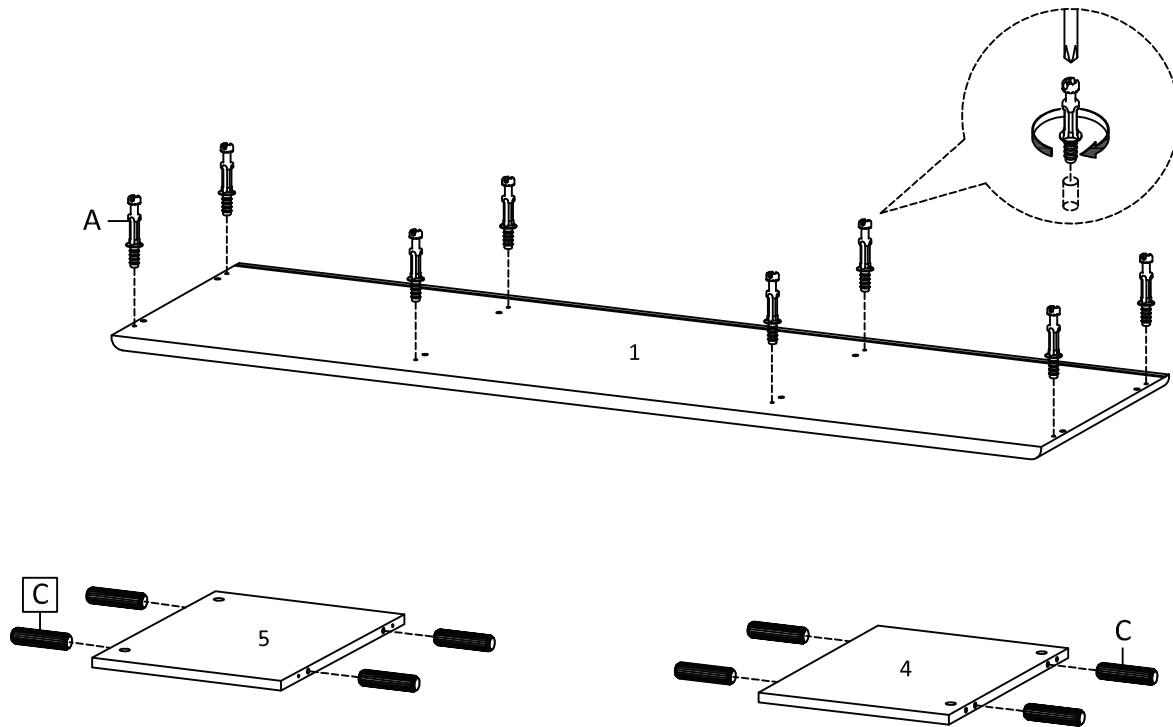
Components:



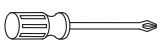


1	Top Board	x1	2	Bottom Board	x1	3	Side Board	x2	4	Center Board Left	x1
5	Centre Board Right	x1	6	Adjustable Shelf	x1	7	Assembly Leg	x2	8	Support Board 1	x2
9	Support Board 2	x2	10	Support Board 3	x2	11	Wooden Door	x2	12	Leg	x2
13	Back Board	x1									

TV Stand

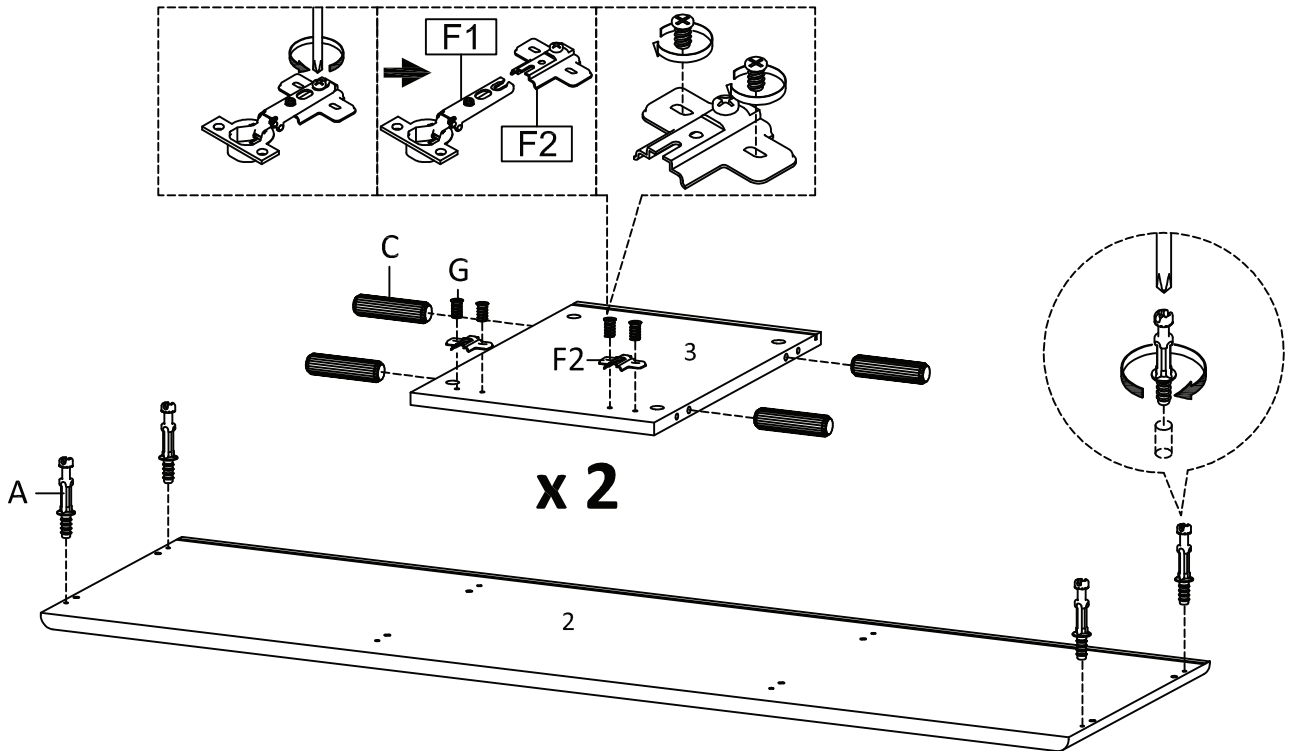
STEP 1:





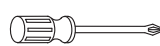


		
Ax8	Cx8	Mx1

Hardware required. Screwdriver not included

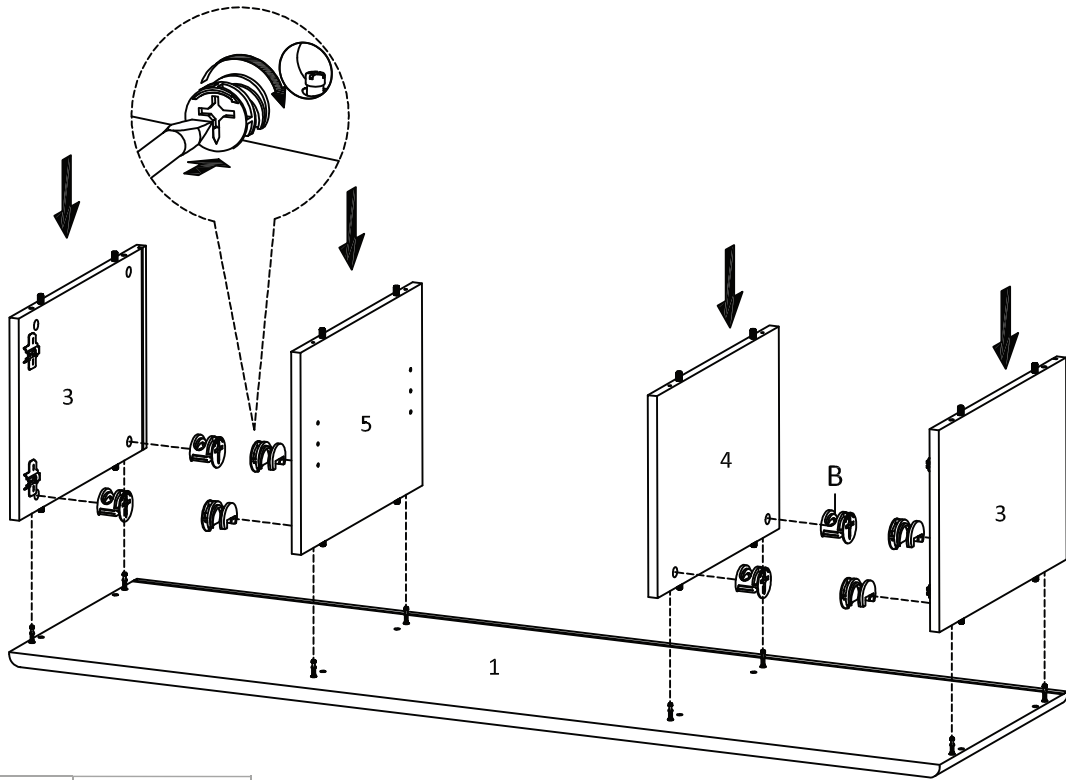
STEP 2:


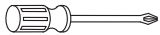


				
Ax4	Cx8	Fx4	Gx8	Mx1

Hardware required.
Screwdriver not included

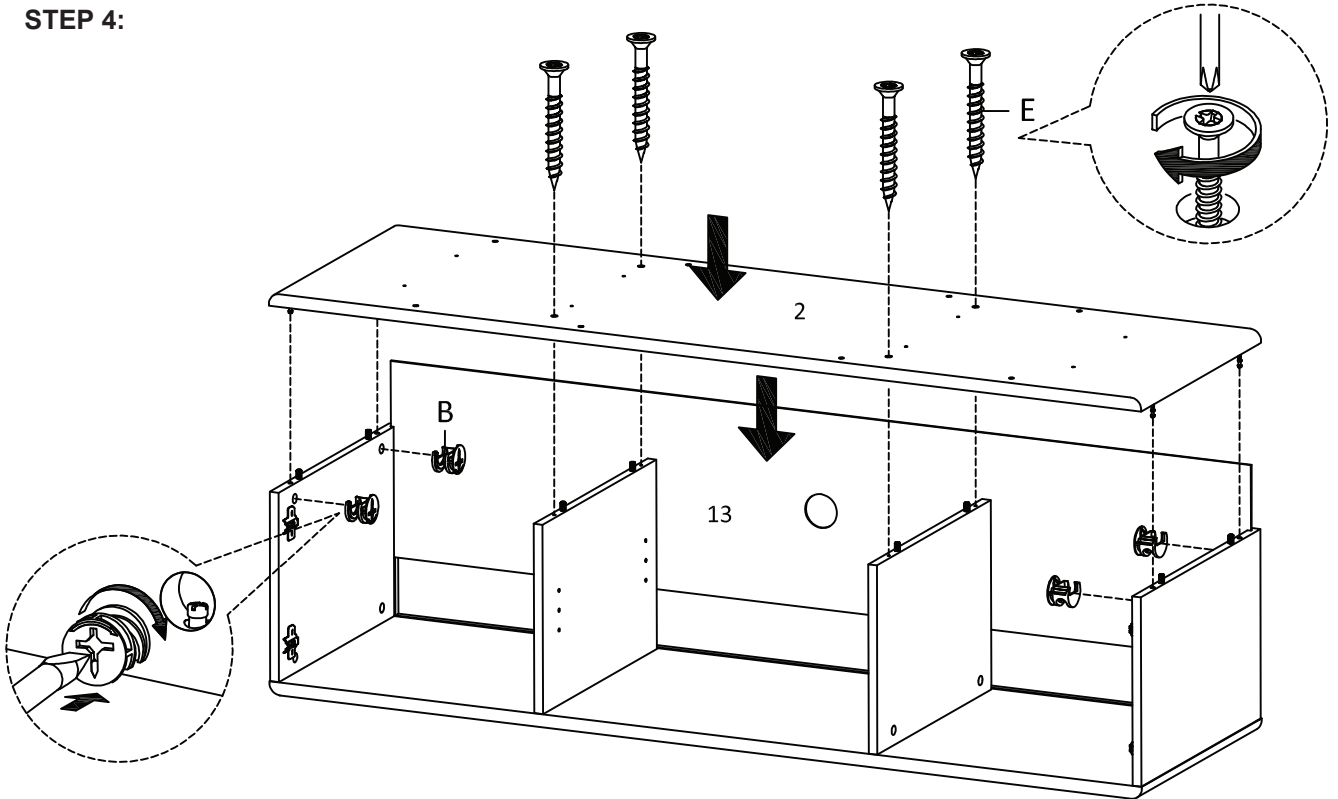
STEP 3:




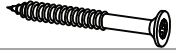
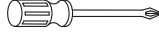
	
Bx8	Mx1

Hardware required. Screwdriver not included

STEP 4:



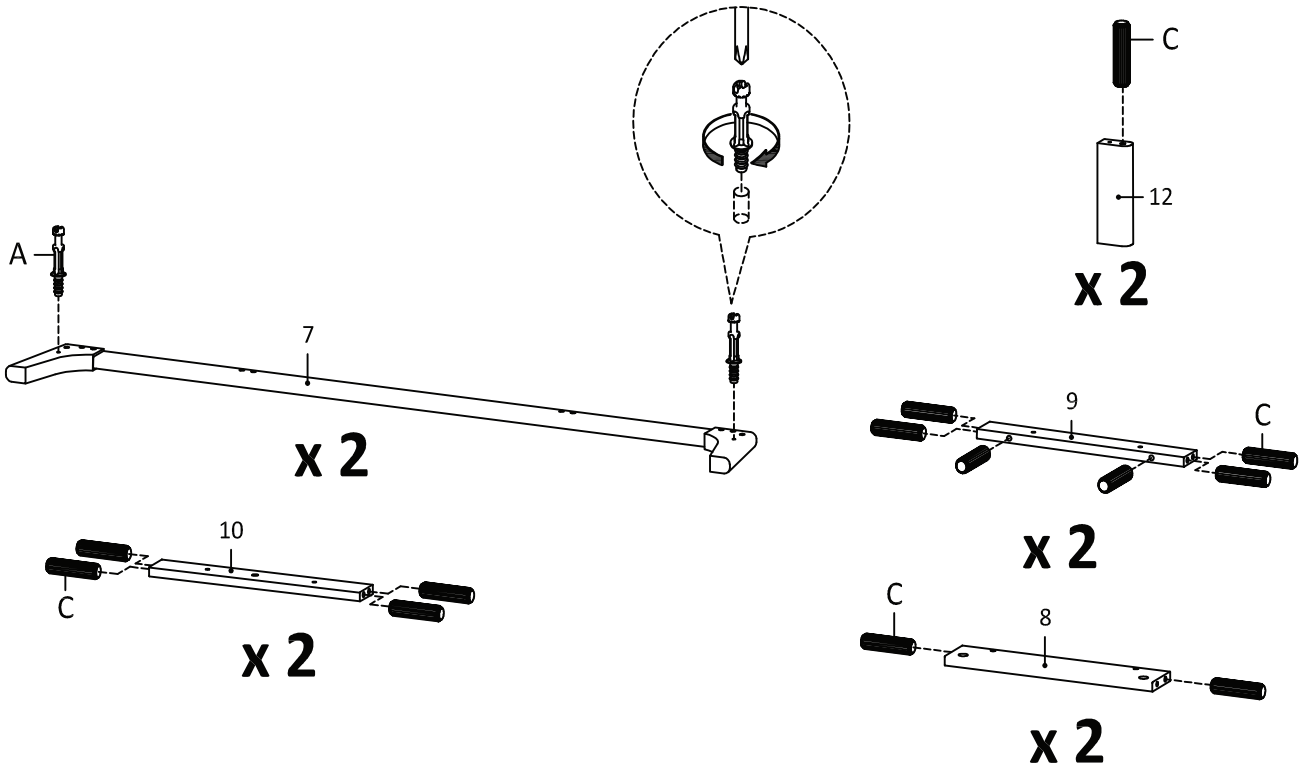
Attention: Insert part 13 (Back Board) first and then part 2 (Bottom Board)



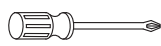
		
Bx4	Ex4	Mx1

Hardware required. Screwdriver not included

TV Stand

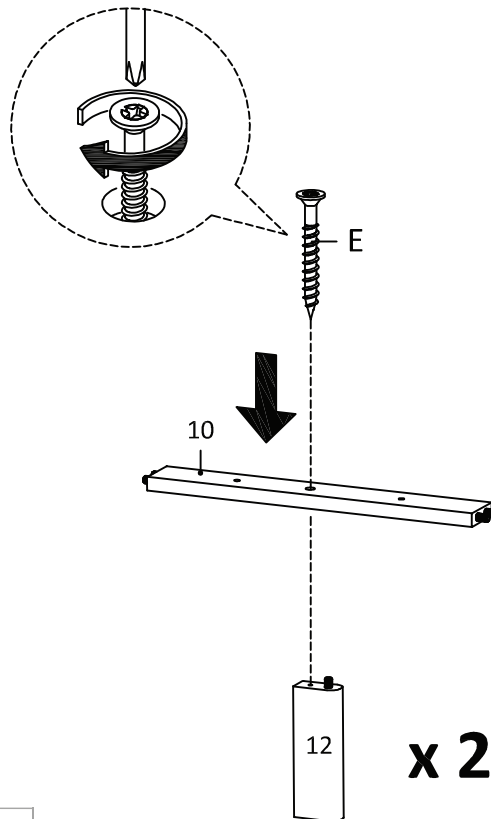
STEP 5:


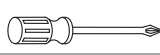


		
Ax4	Cx26	Mx1

Hardware required. Screwdriver not included

STEP 6:

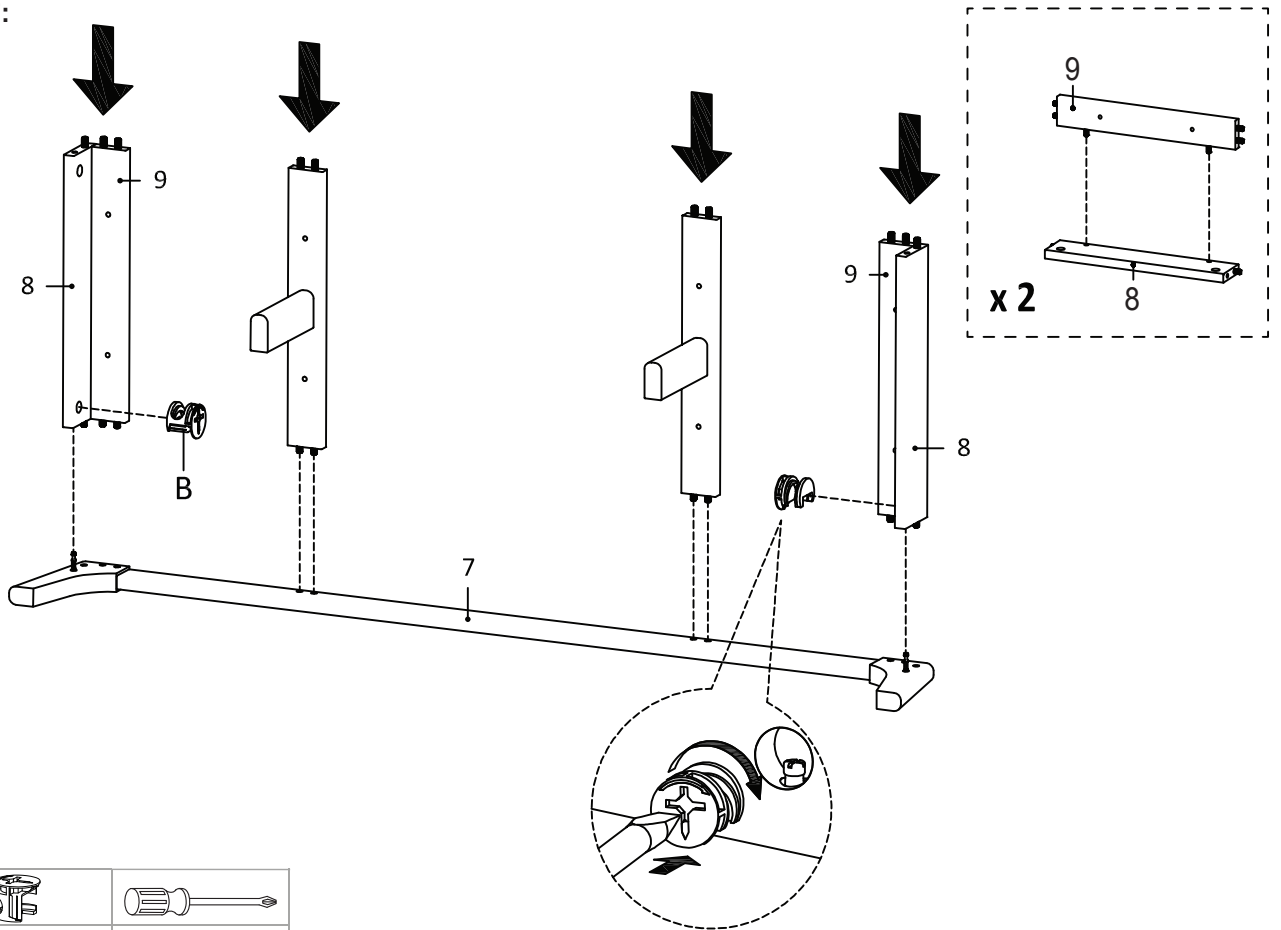




	
Ex2	Mx1

Hardware required. Screwdriver not included

TV Stand

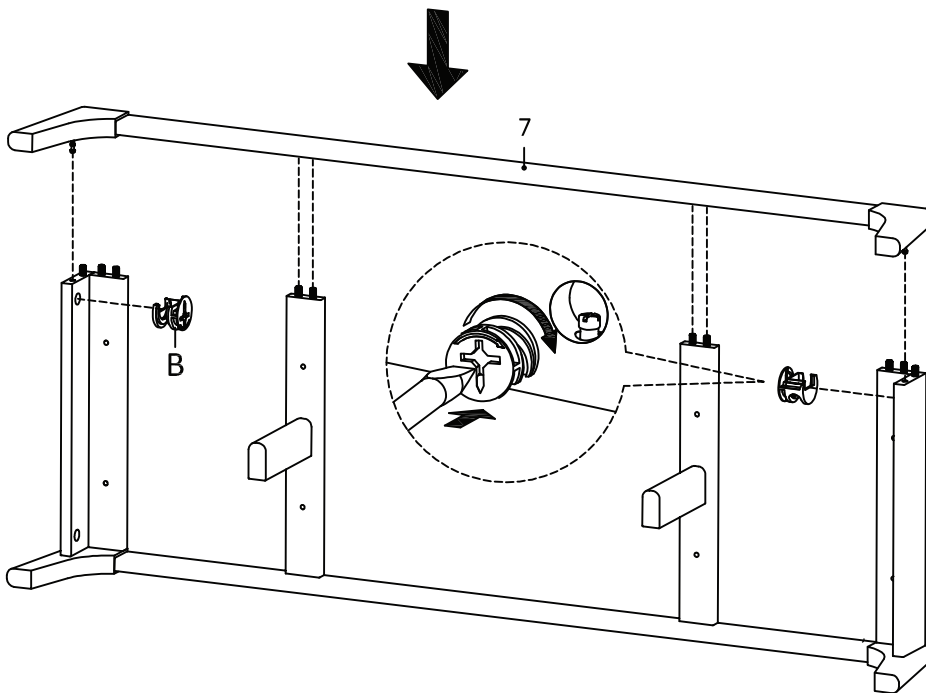
STEP 7:


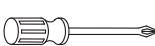


	
Bx2	Mx1

Hardware required. Screwdriver not included

STEP 8:

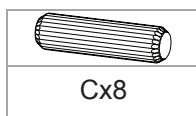
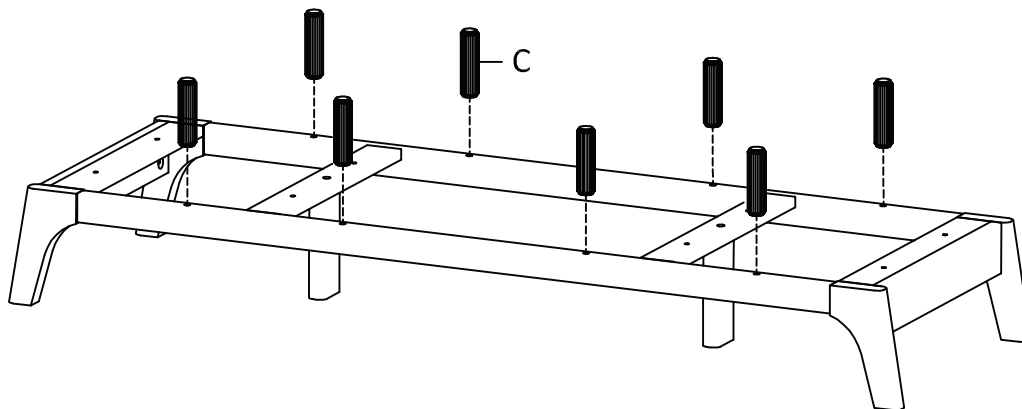


	
Bx2	Mx1

Hardware required. Screwdriver not included

TV Stand

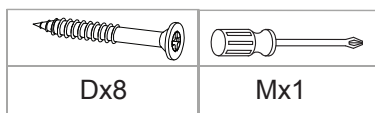
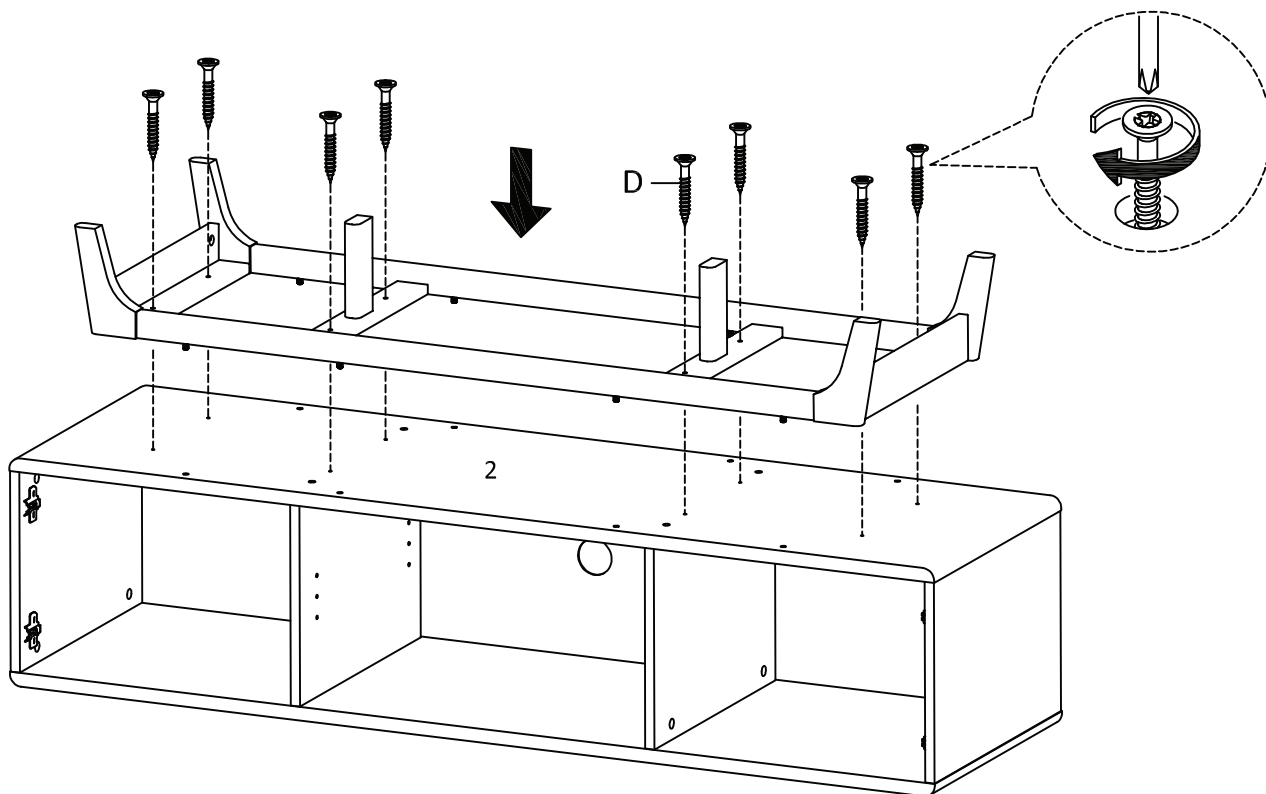
STEP 9:



Cx8

Hardware required

STEP 10:

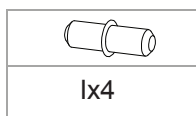
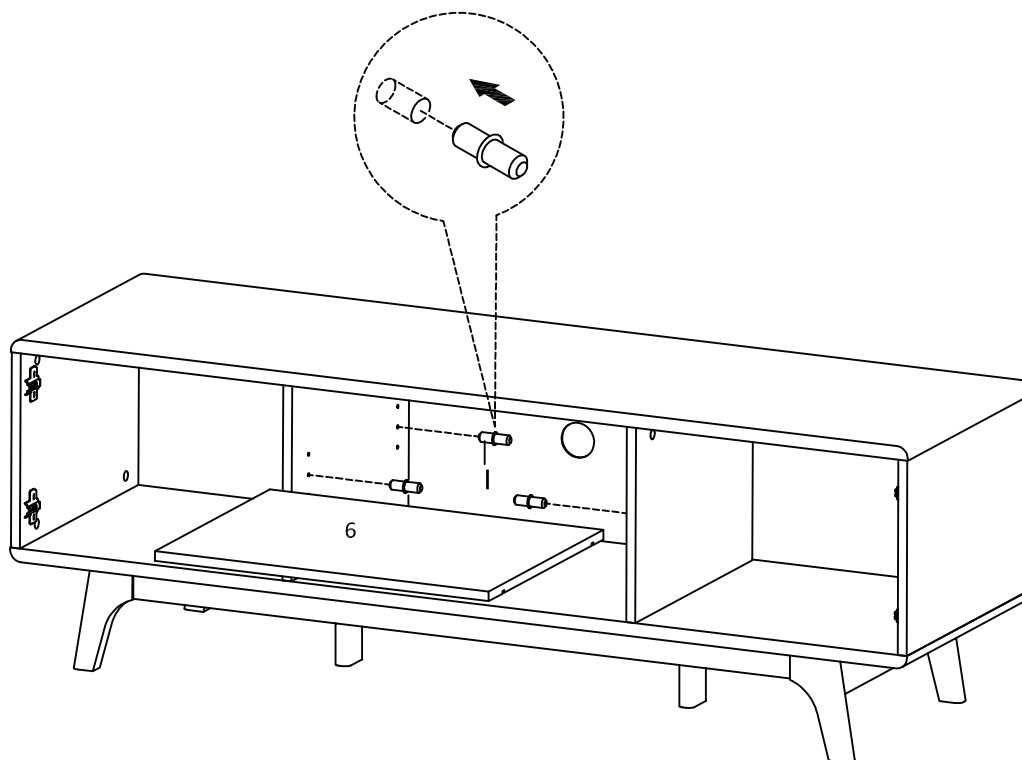


Dx8

Mx1

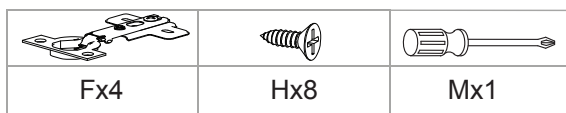
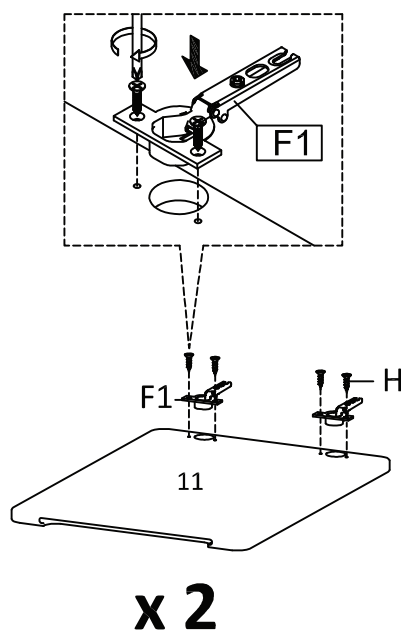
Hardware required. Screwdriver not included

STEP 11:



Hardware required

STEP 12:

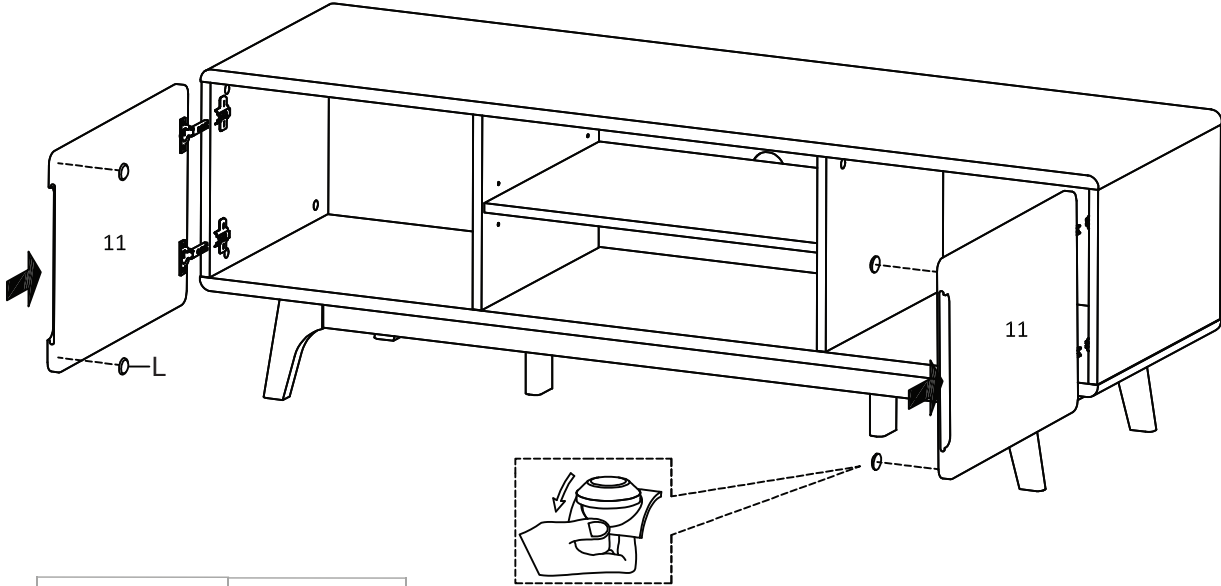
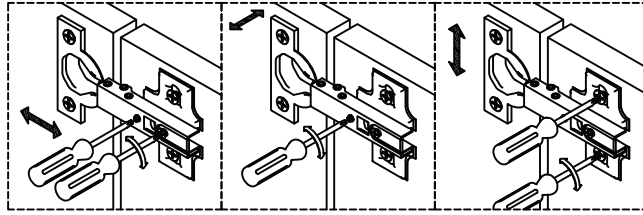



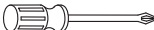
Hardware required. Screwdriver not included

TV Stand

STEP 13:

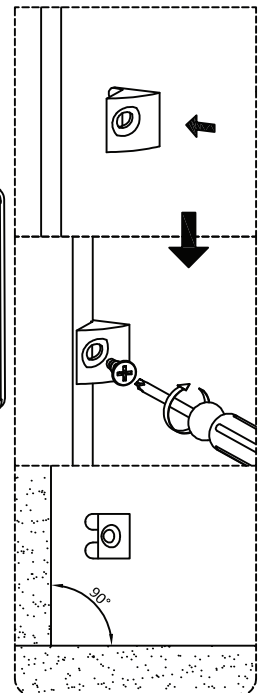
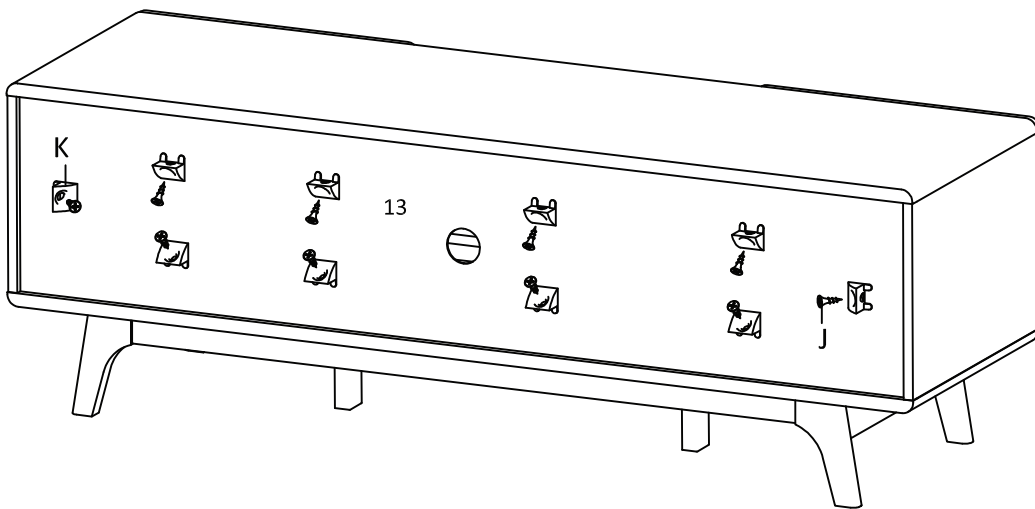
Hinges Adjustment



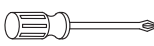


	
Lx4	Mx1

Hardware required. Screwdriver not included

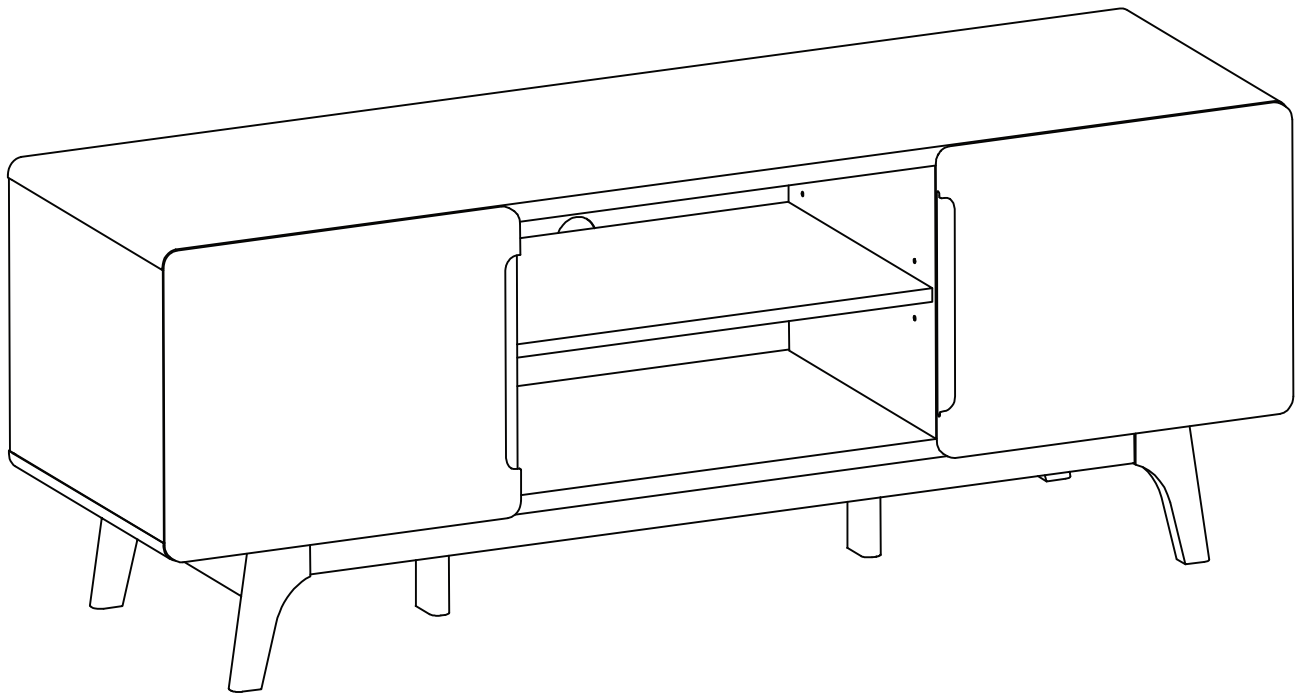
STEP 14:



		
Jx10	Kx10	Mx1

Hardware required. Screwdriver not included

STEP 15:



Assembly is completed. The TV Stand is ready to enjoy now !