

ASSEMBLY INSTRUCTIONS



Fine Furniture for every stage of life

Dining Table

ASSEMBLY INSTRUCTIONS

ASSEMBLY TIPS:

1. Remove hardware from box and sort by size.
2. Please check to see that all hardware and parts are present prior to start of assembly.
3. Please follow attached instructions in the same sequence as numbered to assure fast & easy assembly.



WARNING!

1. Don't attempt to repair or modify parts that are broken or defective. Please contact the store immediately.
2. This product is for home use only and not intended for commercial establishments.



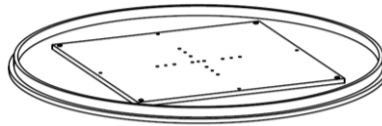
ASSEMBLY TIME

30 MINUTES

PARTS IDENTIFICATION

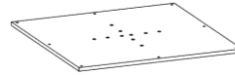
B1 (BOX 1)

A TOP



1PC

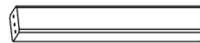
B MOUNTING PLATE
(PRE-ATTACHED TO TOP)



1PC

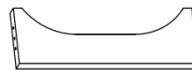
B2 (BOX 2)

C PEDESTAL



1PC

D LEG



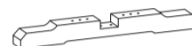
4PCS

E UPPER BASE



1PC

F LOWER BASE



1PC

ASSEMBLY INSTRUCTIONS

ASSEMBLY TIPS:

1. Remove hardware from box and sort by size.
2. Please check to see that all hardware and parts are present prior to start of assembly.
3. Please follow attached instructions in the same sequence as numbered to assure fast & easy assembly.











WARNING!

1. Don't attempt to repair or modify parts that are broken or defective. Please contact the store immediately.
2. This product is for home use only and not intended for commercial establishments.

HARDWARE IDENTIFICATION

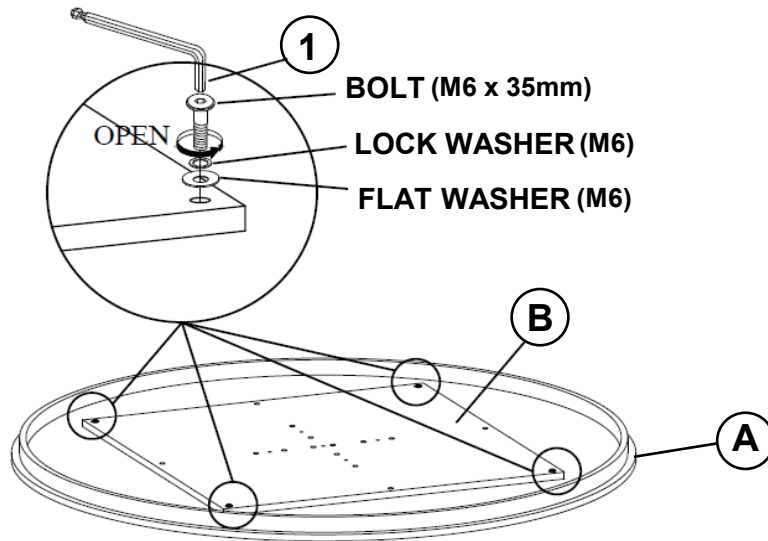
Z-B1 (BOX 1) - HARDWARE PACK IS LOCATED IN 109460 (B1)

1	ALLEN WRENCH (M4 x 100mm - BLK)		1PC
2	SHORT BOLT (M6 x 35mm - RBW)		14PCS
3	MEDIUM BOLT (M6 x 50mm - RBW)		1PC
4	LONG BOLT (M6 x 90mm - RBW)		10PCS
5	LOCK WASHER (M6 - RBW)		25PCS
6	FLAT WASHER (M6 - RBW)		14PCS
7	PLASTIC DOWEL (M8 x 30mm - BLK)		10PCS
8	LEVELER (M6 x 23mm - BLK)		4PCS

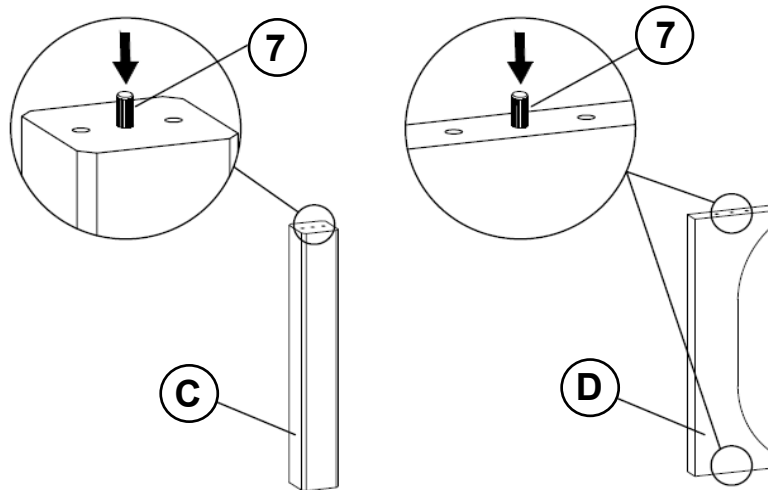
ASSEMBLY INSTRUCTIONS

STEP 1

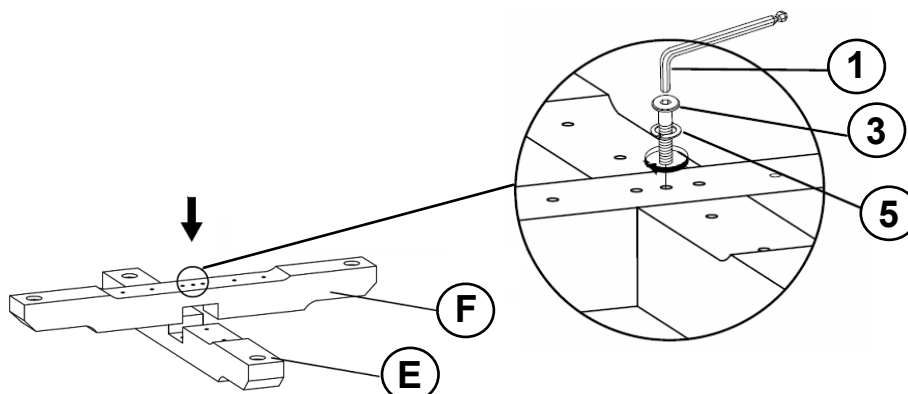
Attention! Please remove part B and all hardware from TOP (A), using ALLEN WRENCH (1) and keep for STEP 9.



STEP 2

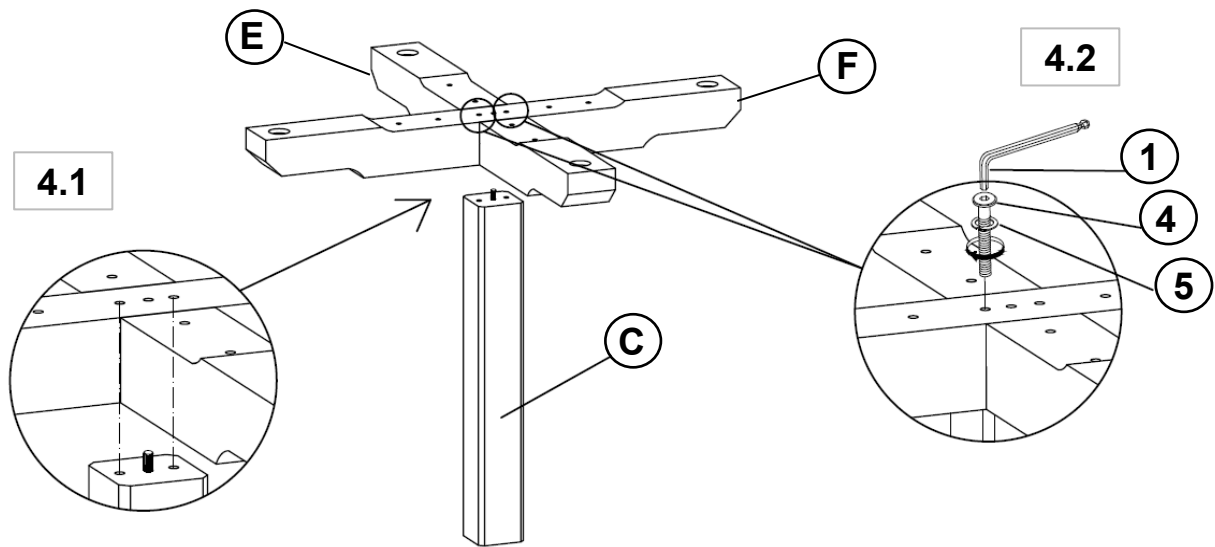


STEP 3

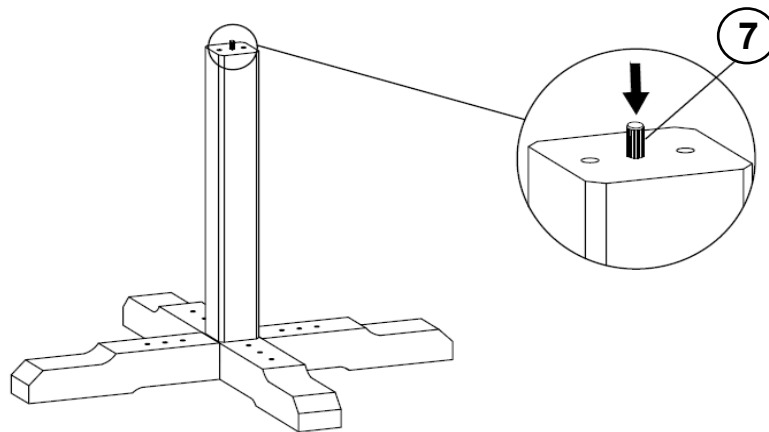


ASSEMBLY INSTRUCTIONS

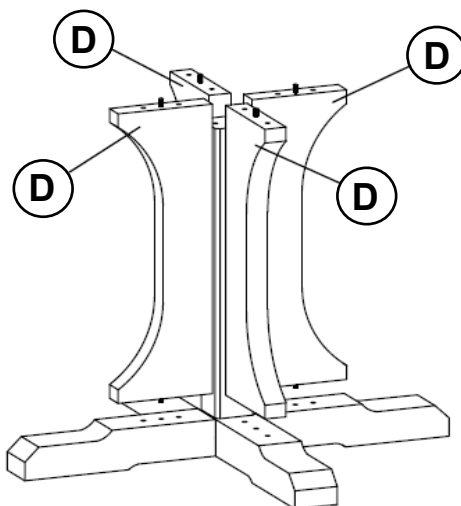
STEP 4



STEP 5

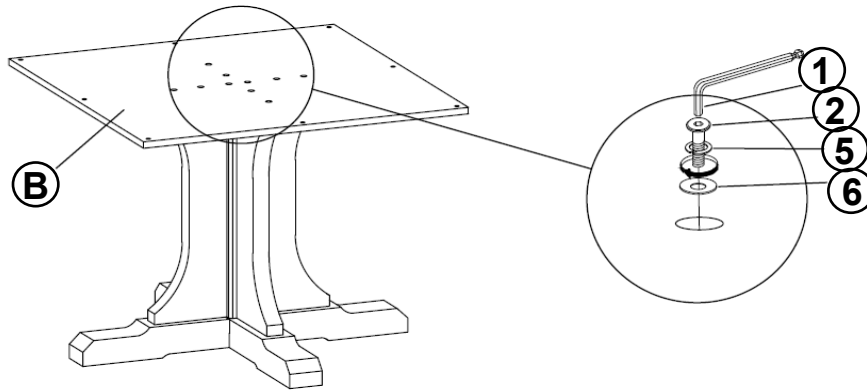


STEP 6



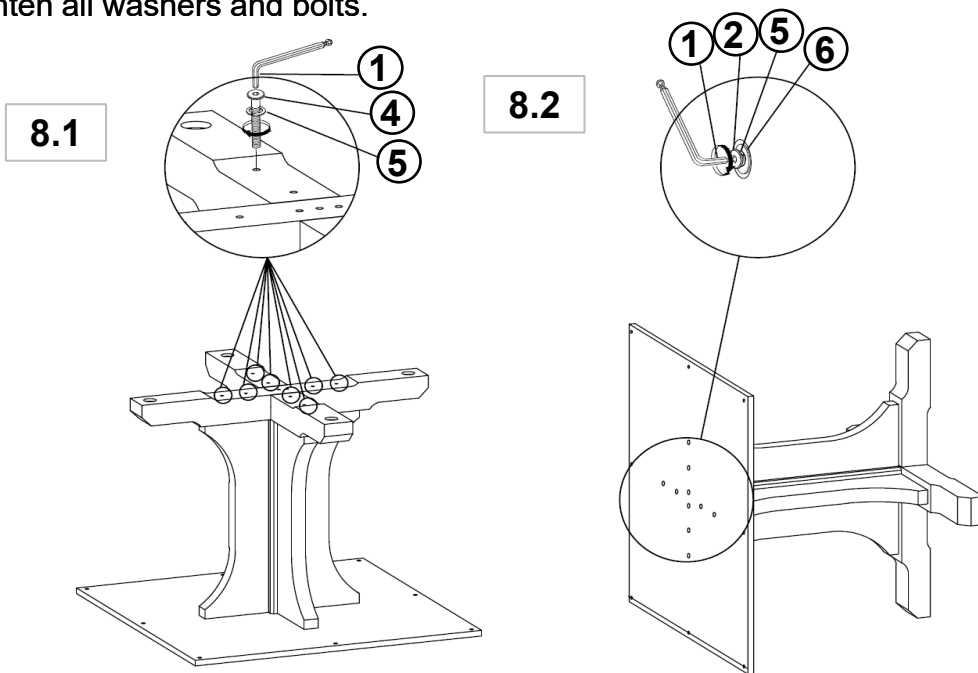
ASSEMBLY INSTRUCTIONS

STEP 7



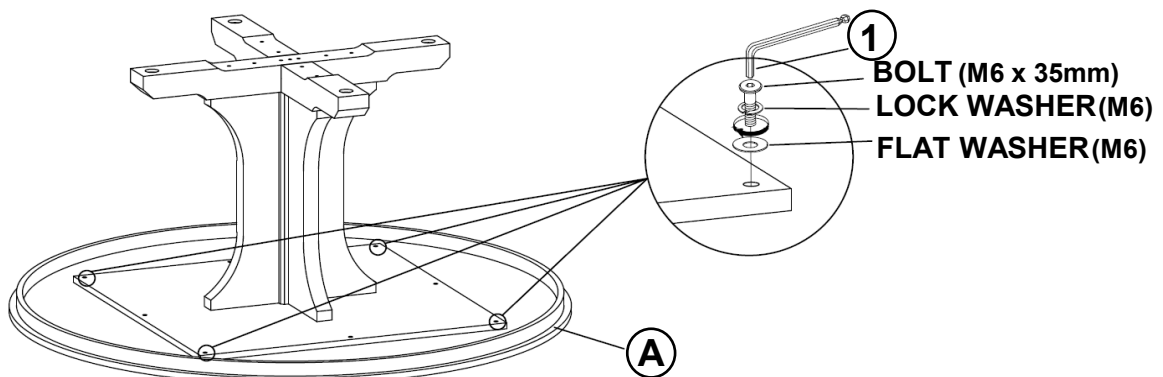
STEP 8

**Fully tighten all washers and bolts.



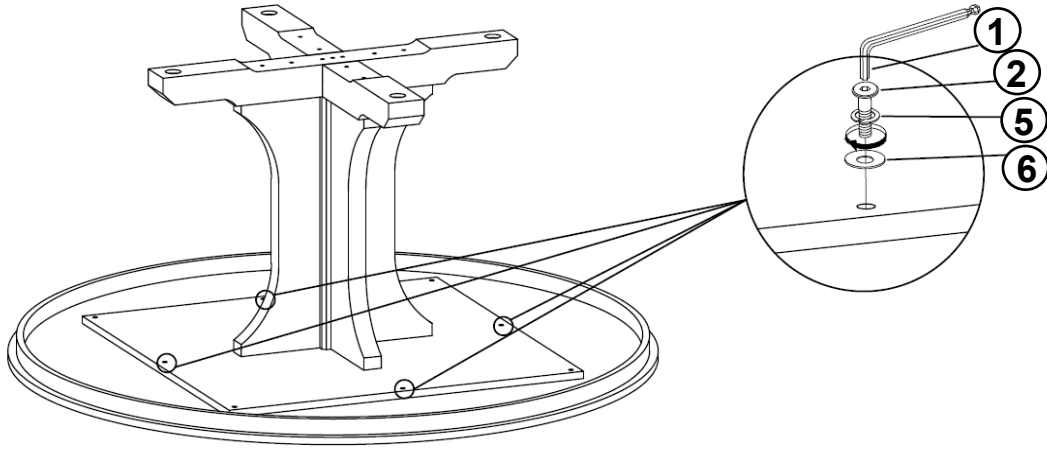
STEP 9

Attention! Use hardware from STEP 1 for this STEP.

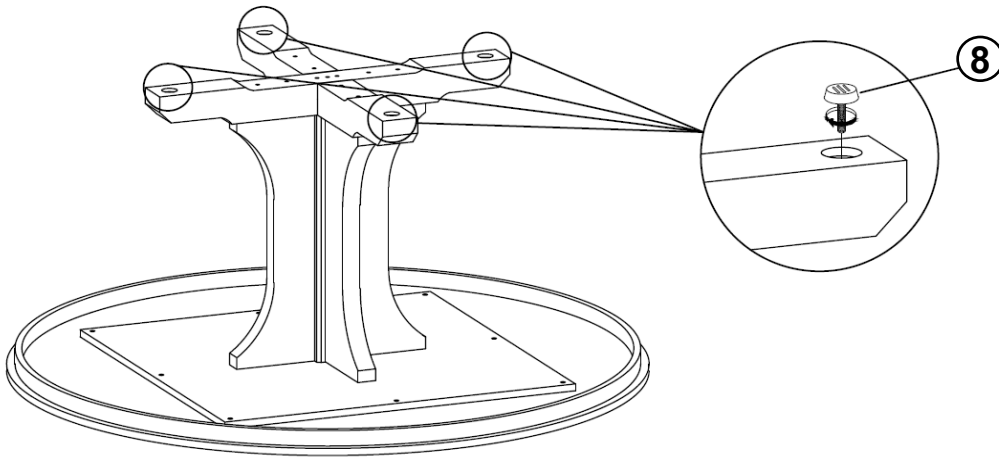


ASSEMBLY INSTRUCTIONS

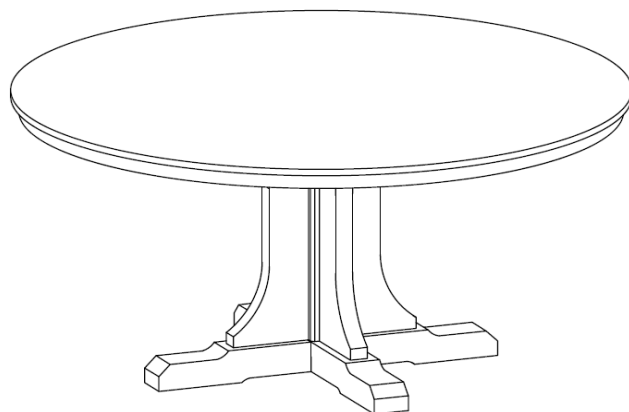
STEP 10

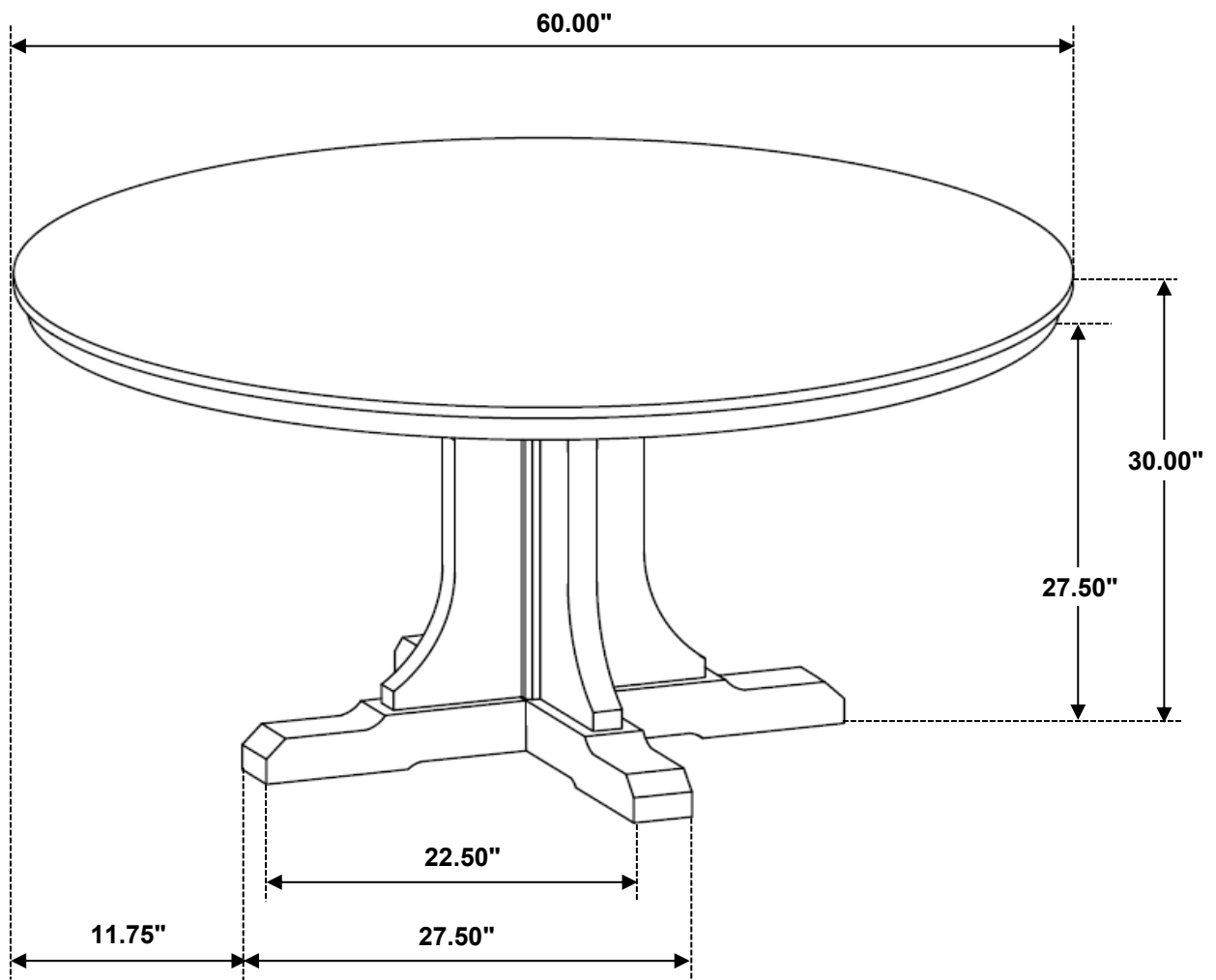


STEP 11



STEP 12 **COMPLETE**





Note: Dimension tolerance $\pm 5\%$