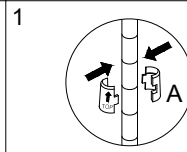
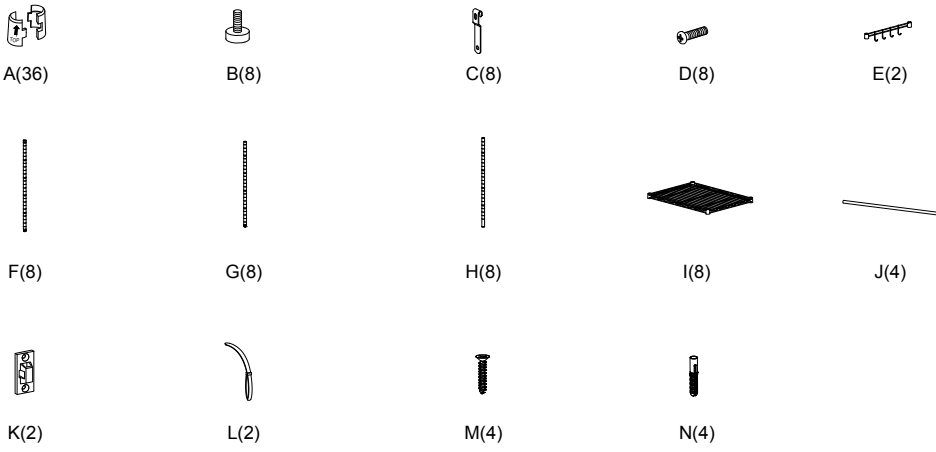


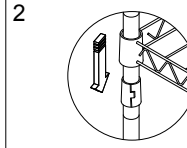
THIS PACKAGE CONTAINS

NOTE:

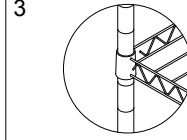
Review Below Instruction Before Assembly



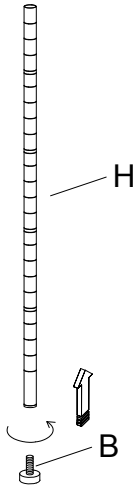
Locate the ridge into any of the grooves at the desired height



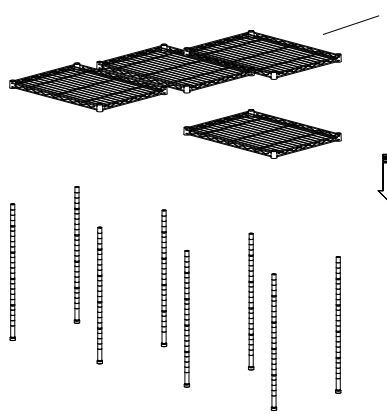
Locate the shelf down over the plastic sleeve



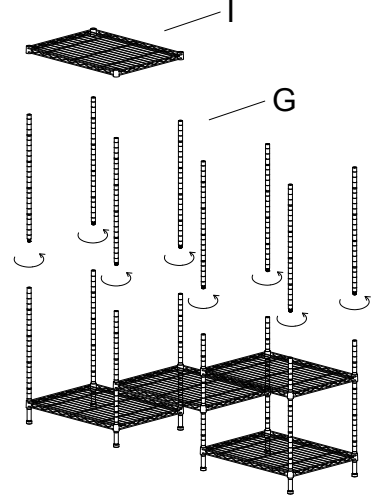
Step 1



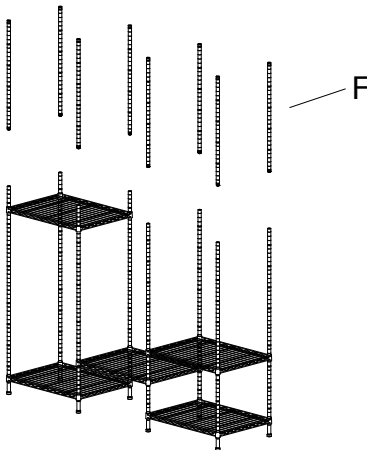
Step 2



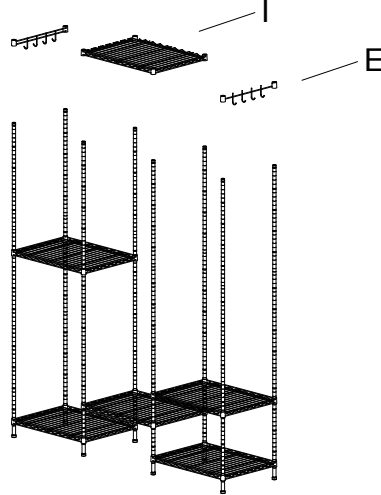
Step 3



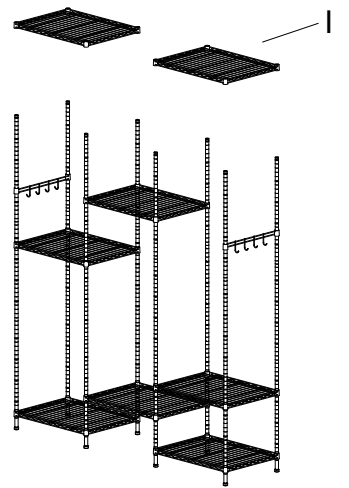
Step 4



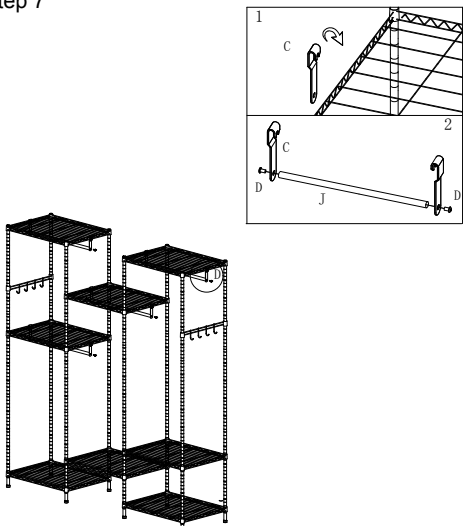
Step 5



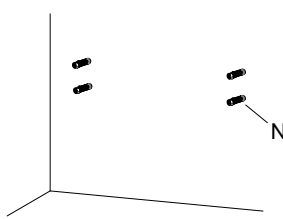
Step 6



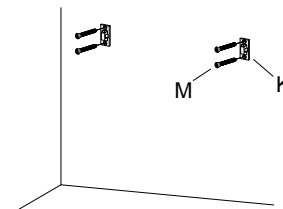
Step 7



Step 8



Step 9



Step 10

