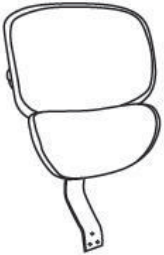
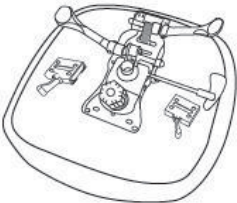





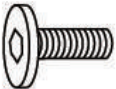

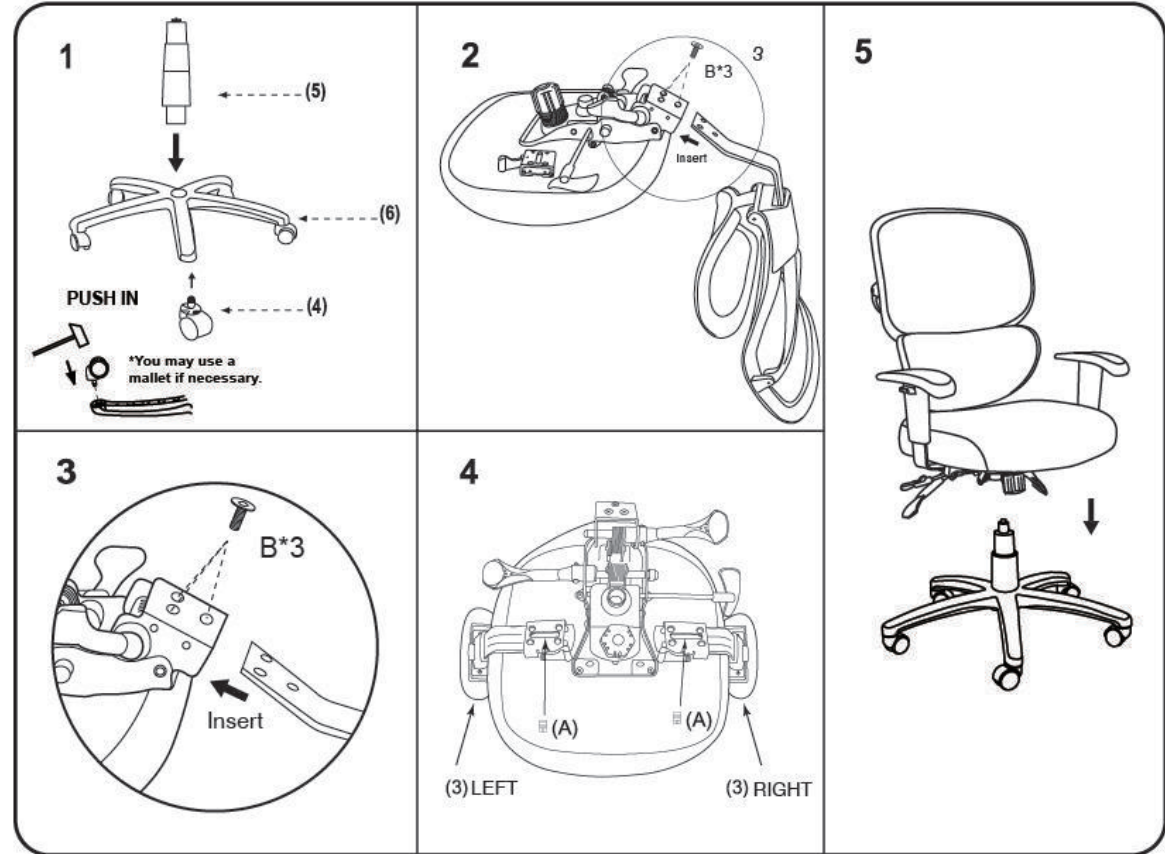


**IMPORTANT NOTICE:
HARDWARE PACKAGE IS ATTACHED
ON THE BOTTOM OF SEAT CUSHION.**

(1)x1  Back Cushion	(2)x1  Seat Cushion W/Mechanism	(3)x1 (L)x1 (R)  Right & Left Arm
(4)x5  Casters	(5)x1  Gas Lift W/ Cover	(6)x1  Base
(A)x2  M10 ARM BRACKET SCREW (These screws are in the adjustable arm bracket attached to seat bottom)	(B)x3  M8*22 L-BAR SCREW	(C)x1  ALLEN KEY



Insert and loosely tighten all screws. When assembly is completed, fully tighten all screws before using. This chair is only intended for sitting. Any other use will void the warranty.



For further assembly instructions, please visit our website