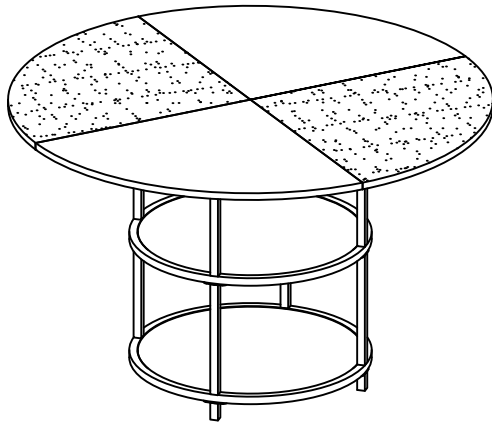


# ASSEMBLY INSTRUCTION



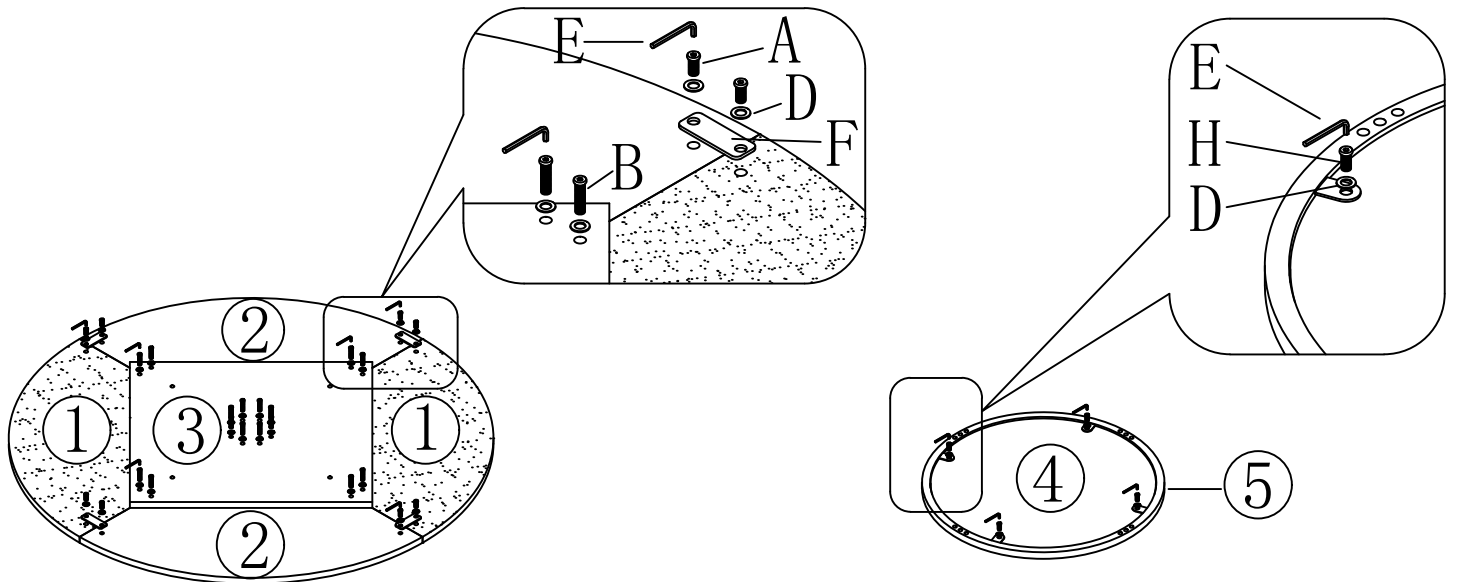
F-1024

A  8*16 8pcs	B  8*30 20pcs	C  6*30 8pcs
D  8*18 32pcs	E  M5 1pcs	F  4pcs
G  M8 4pcs	H  6*13 32pcs	I  M4 1pcs

①  2pcs	②  2pcs	③  1pcs
④  2pcs	⑤  2pcs	⑥  1pcs
⑦  8pcs	⑧  4pcs	

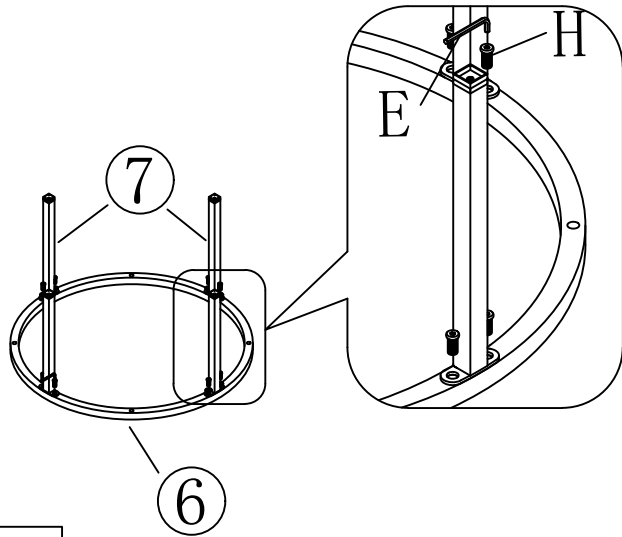
STEP1

STEP2

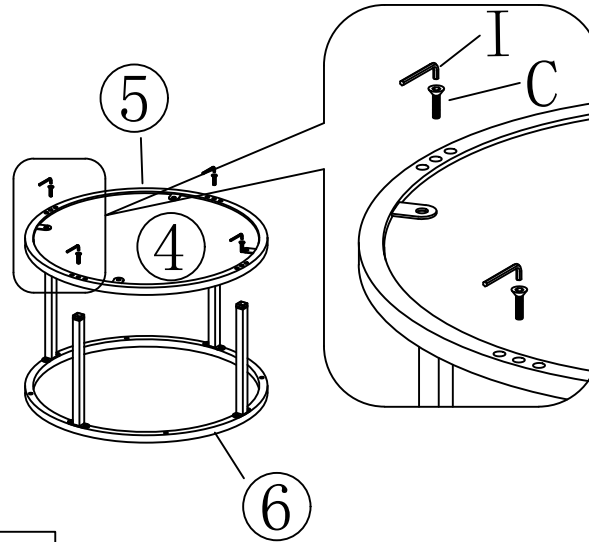


# ASSEMBLY INSTRUCTION

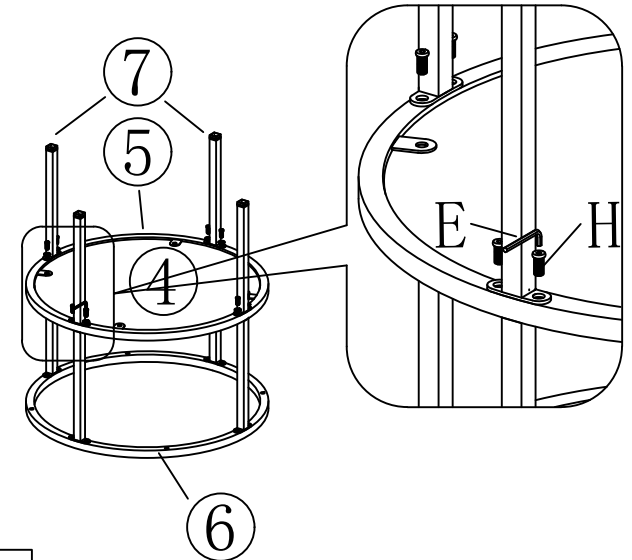
STEP3



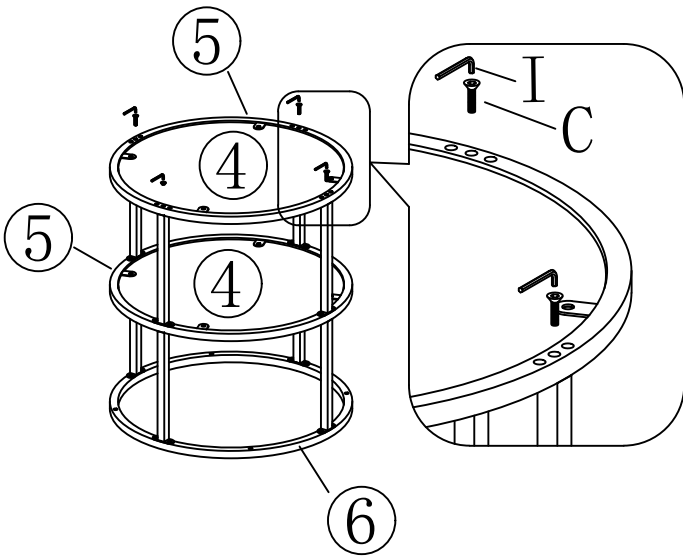
STEP4



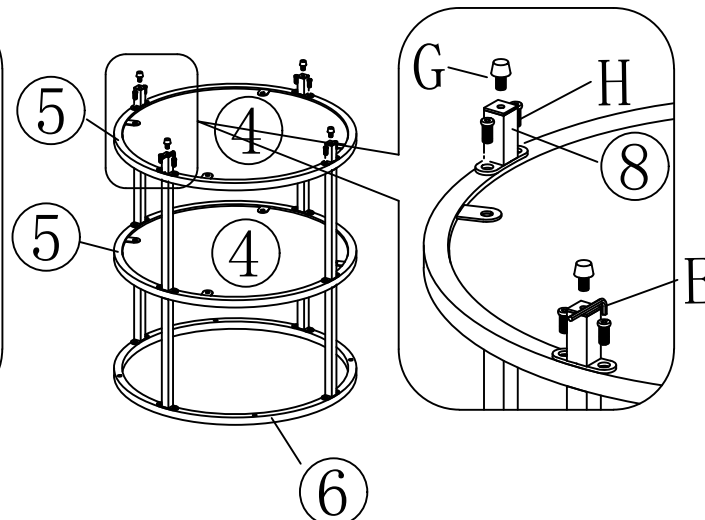
STEP5



STEP6



STEP7



STEP8

