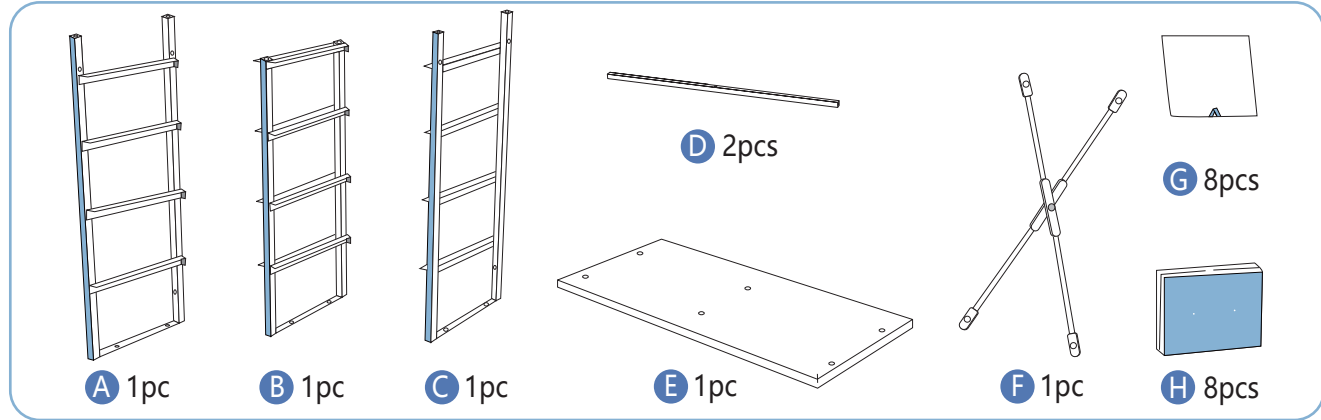
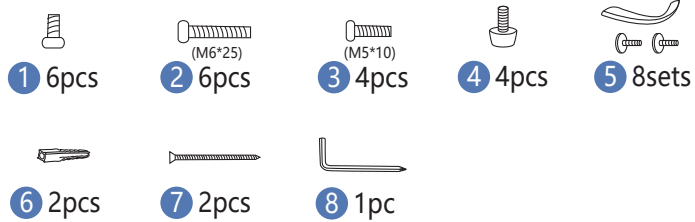


Assemble Instruction

ATTENTION: Do not tighten the screws until you have complete setup assembly.

Product Assembly Accessories:

We prepare a spare one for part of the screws in case of damage or loss.



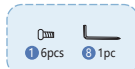
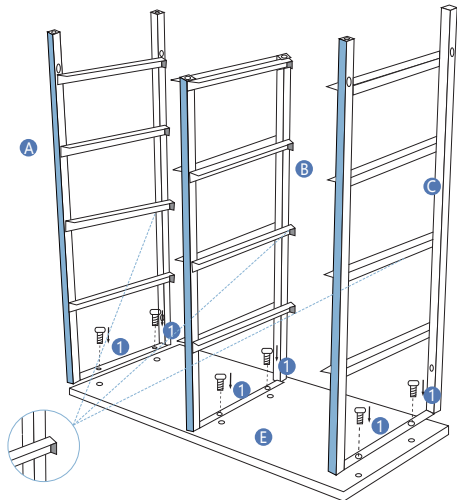
Product Assembly Steps:

Do not tighten the screws until you have complete setup assembly.

step1:

Use ① screw to fix the frames A, B, and C to the top wooden board E.

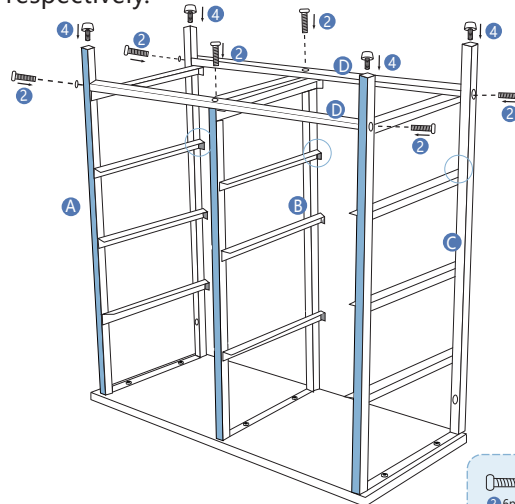
Note: The directions of the baffles at the end of the slots of the three frame drawers are the same.



step2:

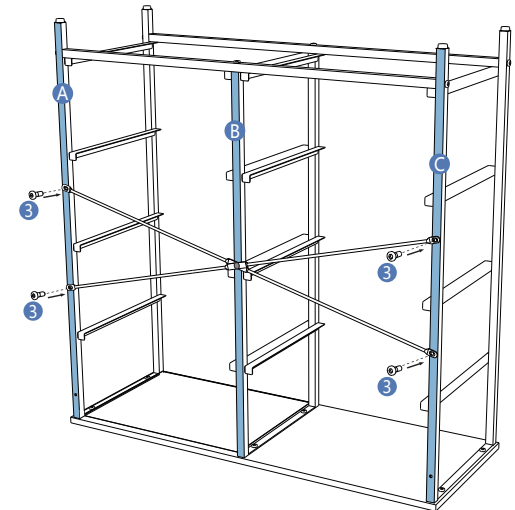
1. Use ② screw to fix the iron shelf D to the frames A, B, and C.

2. Install ④ adjustment foot on the frame A and C respectively.



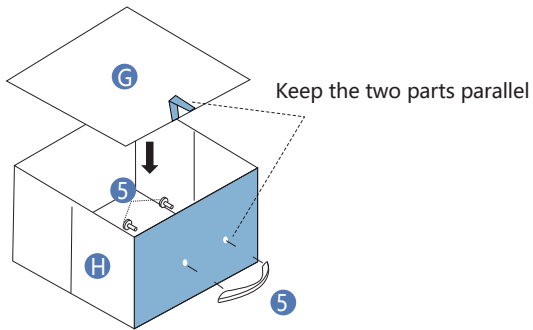
step3:

Fix crossbar to frame A, C using screw ③.



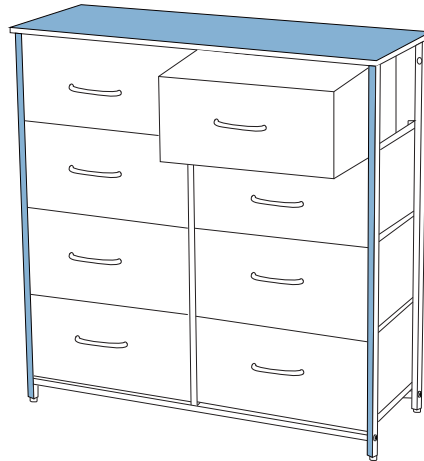
step4:

Install the handle **5** on the drawer **H** with screws, insert the inner board **G**.



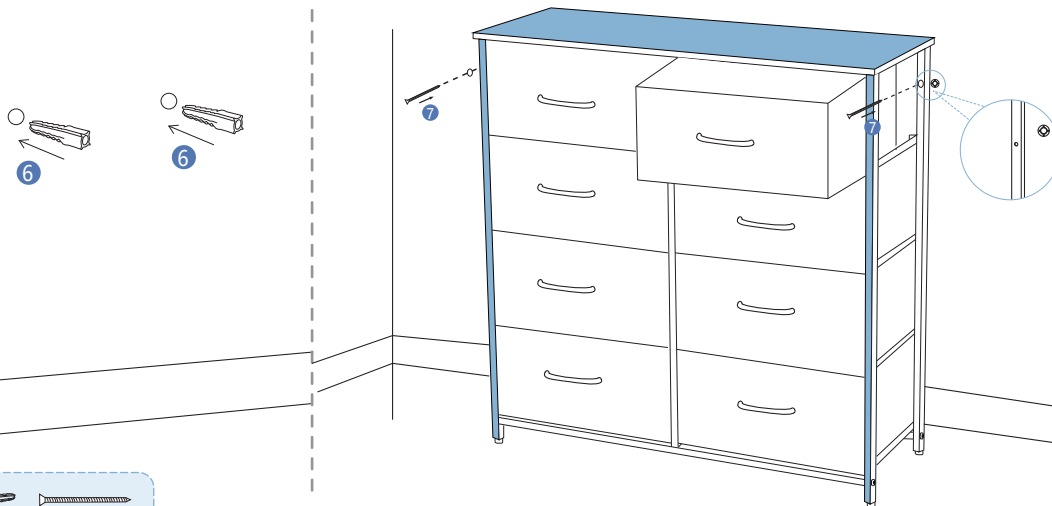
step5:

Put the drawers in the dresser.



step6:

Use a power drill to make holes in the wall, insert **6** expansion screws, and fix the dresser with **7** screw.



Assembly Notes:

- ◆ It is recommended that you categorize the accessories before installation to quickly find the required accessories during installation.
- ◆ When assembling the drawer, make drawer bottom handle and the drawer wooden handle remain parallel.
- ◆ When install the frame, please make sure that the metal drawer support at the same direction.

Matters Needing Attention:

- ◆ Please make sure the weight of the objects you put in the drawers follows the allowed weight standards.
Max static load capacity of the tabletop: 40lb
Max static load capacity of each drawer: 7lb
- ◆ Washing the entire dresser can be detrimental to its construction. Please clean it gently with a wet cloth instead.
- ◆ A smell of wood is present on all new products. Please keep the dresser in a well-ventilated room soon after construction so that the odor can leave.
- ◆ Secure the dresser to the wall with our provided anti-tip kit to enable stability and protection for your loved ones.