



We strive to ensure that our products are of the highest quality and free of manufacturing defects or missing parts. However, if you have any problems with your new product,

DO NOT RETURN IT TO THE STORE,

please contact us toll free @:

1-888-996-2729

FAX: 1-866-873-3531

gameroom@escaladesports.com

Mailing Address: (Correspondence Only)

Escalade Sports
PO Box 889
Evansville, Indiana 47706-0889

Physical Location:

Escalade Sports
817 Maxwell Ave.
Evansville, Indiana 47711

Please visit our Web site at:

www.escaladesports.com

Please have your model number when inquiring about parts.

When contacting Escalade Sports please provide your model number, date code (if applicable) and part number if requesting a replacement part. These numbers are located on the product, packaging, and this owners manual.

Your Model Number AL5002W/F

Date Code 2 - AL5002W- - SY

Purchase Date _____

PLEASE RETAIN THIS INSTRUCTION MANUAL FOR FUTURE REFERENCE

**IMPORTANT! READ EACH STEP
IN THIS MANUAL BEFORE YOU
BEGIN THE ASSEMBLY.**

IMPORTANT!

THE DRAWINGS IN THIS
MANUAL MAY BE
EXAGGERATED OR MODIFIED
TO SHOW DETAILS.



TWO ADULTS ARE REQUIRED TO ASSEMBLE THIS 9' BROOKDALE LIGHT UP SHUFFLEBOARD TABLE WITH BOWLING

Tools Required:

- Socket Head Wrench (Included)
- Furniture Polish and Soft Cloth
- Phillips Screwdriver
- 24mm Open End Wrench or Adjustable Wrench
- Carpenters Level

An electric screwdriver is helpful in assembly. However, please set at low torque and use extreme caution with an electric screwdriver because you could overtighten the hardware and strip the screws.

Assembly Tips

Make sure you understand the following tips before you begin to assemble your game table.

1. Start all bolts by hand before tightening.
2. Some drawings or images in this manual may not look exactly like your product. Please read and understand the text before starting each assembly step.

NOTICE :

**READ AND FOLLOW ALL ASSEMBLY, OPERATION, AND
SAFETY INSTRUCTIONS CAREFULLY. AT LEAST TWO CAPABLE
ADULTS ARE REQUIRED TO ASSEMBLE THIS GAME TABLE.**

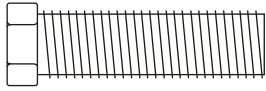
CAUTION:

1. Contains material not suitable for human consumption.
2. Shake contents before applying to shuffleboard playfield.
3. Prep playfield surface with furniture polish before applying shuffleboard wax.

NOTICE :

**TO PLAY THIS GAME AND ACHIEVE A HIGH SKILL LEVEL
REQUIRES A SOFT AND GENTLE TOUCH.
OVER THROWING THE PUCKS WILL CAUSE DAMAGE TO
THE ENDS OF THE TABLE.**

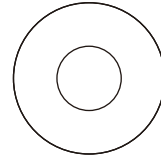
HARDWARE IDENTIFIER (To Scale)



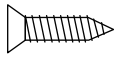
H1 - 8mm x 30mm
Hex Head Bolt
(16 pcs)



H2 - M8 Lock Washer
(16 pcs)



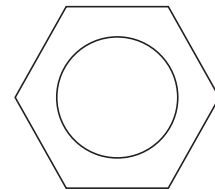
H3 - M8 Flat Washer
(16 pcs)



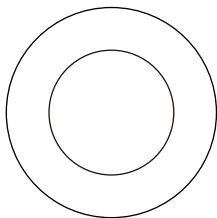
H4 - 3.5 x 14mm
Phillips Flat Head Screw
(4 pcs)



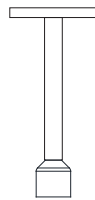
H5 - 3.5 x 35mm
Phillips Flat Head Screw
(6 pcs)



H6 - M16 Hex Nut
(8 pcs)



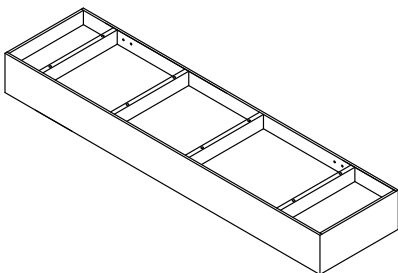
H7 - M16 Flat Washer
(8 pcs)



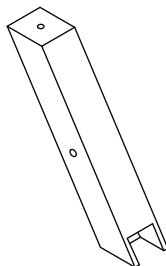
(Not to Scale)

T1 - T Handle Socket Head Wrench
(1 pc)

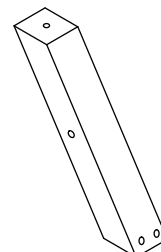
PARTS IDENTIFIER (Not to Scale)



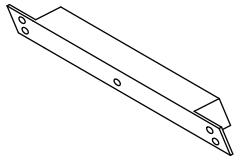
P1 - Main Cabinet
(1 pc)



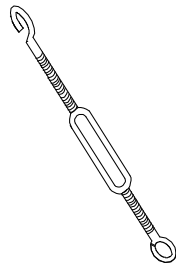
P2 - Leg A
(2 pcs)



P3 - Leg B
(2 pcs)



P4 - Leg Cross Support
(2 pcs)

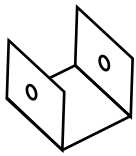


P5 - Turnbuckle Support
(2 pcs)



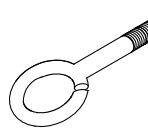
P6 - Leg Leveler
(4 pcs)

Used Together



P7 - Metal Bracket
(2 pcs)

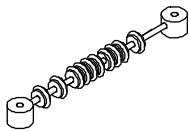
Note: Will install onto P4 Leg
Cross Supports



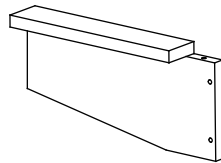
P8 - Leg Cross Support Hook
(2 pcs)



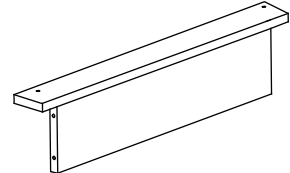
P9 - Cabinet Support Brace Hook
(2 pcs)



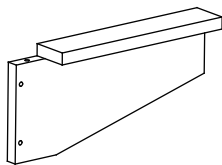
P10 - Manual Scorer
(2 pcs)



P11 - Bowling Pin Side Block - A
(1 pc)



P12 - Bowling Pin Back Block
(1 pc)



P13 - Bowling Pin Side Block - B
(1 pc)

ACCESSORIES IDENTIFIER (Not to Scale)



A1 - Shuffleboard Wax
(1 pcs)



A2 - Black Puck
(4 pcs)



A3 - Gray Puck
(4 pcs)

CAUTION:

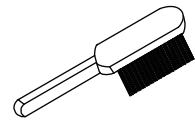
1. Contains material not suitable for human consumption.
2. Shake contents before applying to shuffleboard playfield.
3. Prep playfield surface with furniture polish before applying shuffleboard wax.

Note:

A wide variety of shuffleboard waxes are available on the internet.



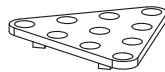
A4 - AC Adapter
(1 pc)



A5 - Playfield Brush
(1 pc)



A6- Bowling Pins
(10 pcs)



A7- Bowling Pin Setter
(1 pc)

Note: This equipment has been tested and found to comply with the limits for a Class B digital device, pursuant to part 15 of the FCC Rules. These limits are designed to provide reasonable protection against harmful interference in a residential installation. This equipment generates, uses and can radiate radio frequency energy and, if not installed and used in accordance with the instructions, may cause harmful interference to radio communications. However, there is no guarantee that interference will not occur in a particular installation. If this equipment does cause harmful interference to radio or television reception, which can be determined by turning the equipment off and on, the user is encouraged to try to correct the interference by one or more of the following measures:

- Reorient or relocate the receiving antenna.
- Increase the separation between the equipment and receiver.
- Connect the equipment into an outlet on a circuit different from that to which the receiver is connected.
- Consult the dealer or an experienced radio/TV technician for help.

This device complies with part 15 of the FCC Rules. Operation is subject to the following two conditions: (1) This device may not cause harmful interference, and (2) this device must accept any interference received, including interference that may cause undesired operation."

"CAUTION: Changes or modifications not expressly approved by the party responsible for compliance

PARTS REQUIRED

1pc - **P1** Main Cabinet
 2pcs - **P2** Leg A
 2pcs - **P3** Leg B

8pcs - **H1** Hex Head Bolt
 8pcs - **H2** Lock Washer
 8pcs - **H3** Flat Washer

STEP 1

Attach the **P2** Legs A and **P3** Legs B onto the **P1** Main Cabinet using the **H1** Hex Head Bolts, **H2** Lock Washers and **H3** Flat Washers as shown in **FIGURE 1**.

Do not tighten the H1 bolts at this time.

NOTE: Legs angle outwards.

NOTE: Be careful, not to cross thread the H1 Bolts.

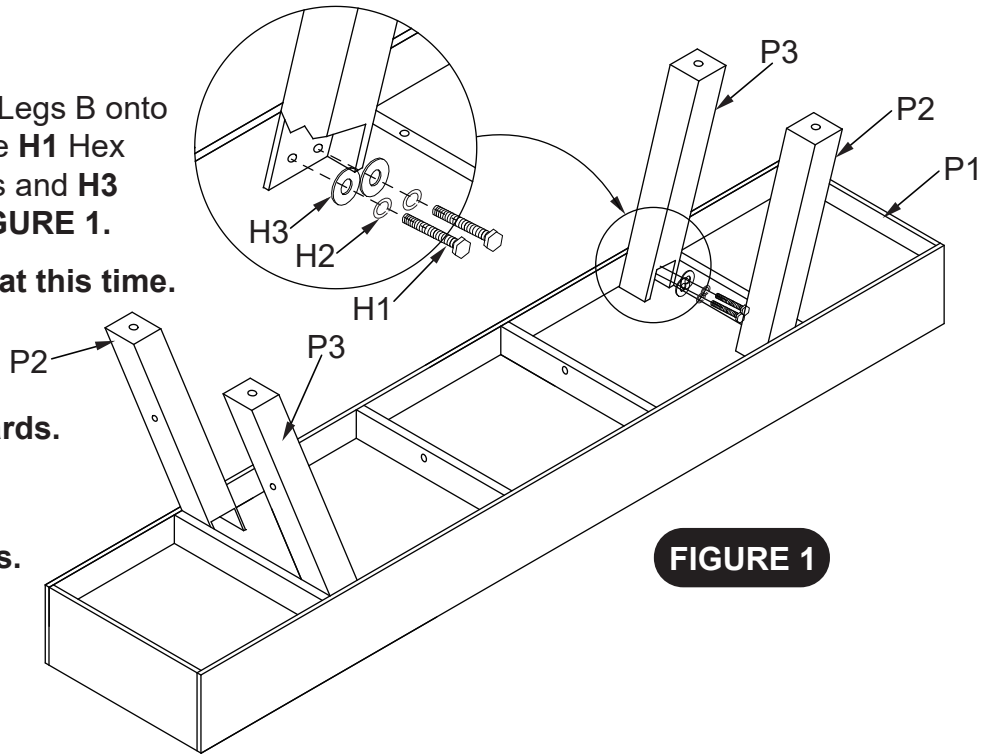


FIGURE 1

PARTS REQUIRED

2pcs - **P4** Leg Cross Support
 2pc - **P7** Metal Bracket
 2pc - **P8** Leg Cross Support Hook

4pcs - **H6** Hex Nut
 4pcs - **H7** Flat Washer

STEP 2

Align the hole on the **P7** Leg Bracket with the predrilled hole on the **P4** Leg Cross Support. Install the **P8** Leg Cross Support Hook onto the **P4** Leg Cross Support with the **H6** Hex Nuts and **H7** Flat Washers as shown in **FIGURE 2**.

Tighten the H6 Hex Nuts using a 24mm Open End Wrench or Adjustable Wrench.

Repeat assembly procedure for a 2nd **P4**.

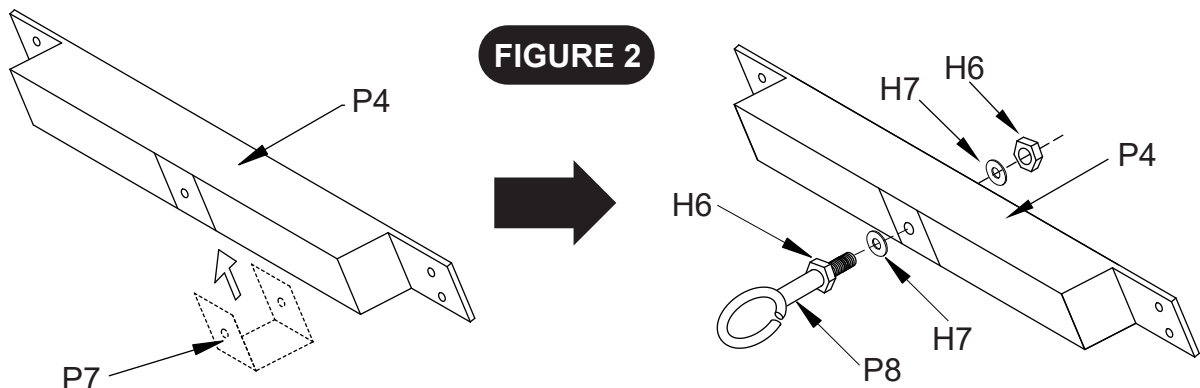
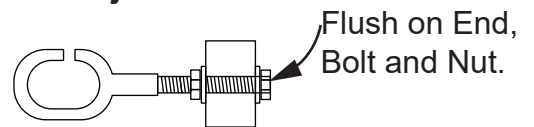


FIGURE 2

Orientate/Assemble P4,P7&P8 as per FIGURE 2.

PARTS REQUIRED

8pcs - **H1** Hex Head Bolt
8pcs - **H2** Lock Washer

8pcs - **H3** Flat Washer

STEP 3

Attach the **STEP 2 Assemblies** to the **P2** Legs A and **P3** Legs B with the **H1** Hex Head Bolts, **H3** Flat Washers and **H2** Lock Washers as shown in **FIGURE 3**.

Tighten all H1 leg bolts from STEP 1 and the P4 Cross Support Bolts using the T1 Socket Head Wrench at this time---tight.

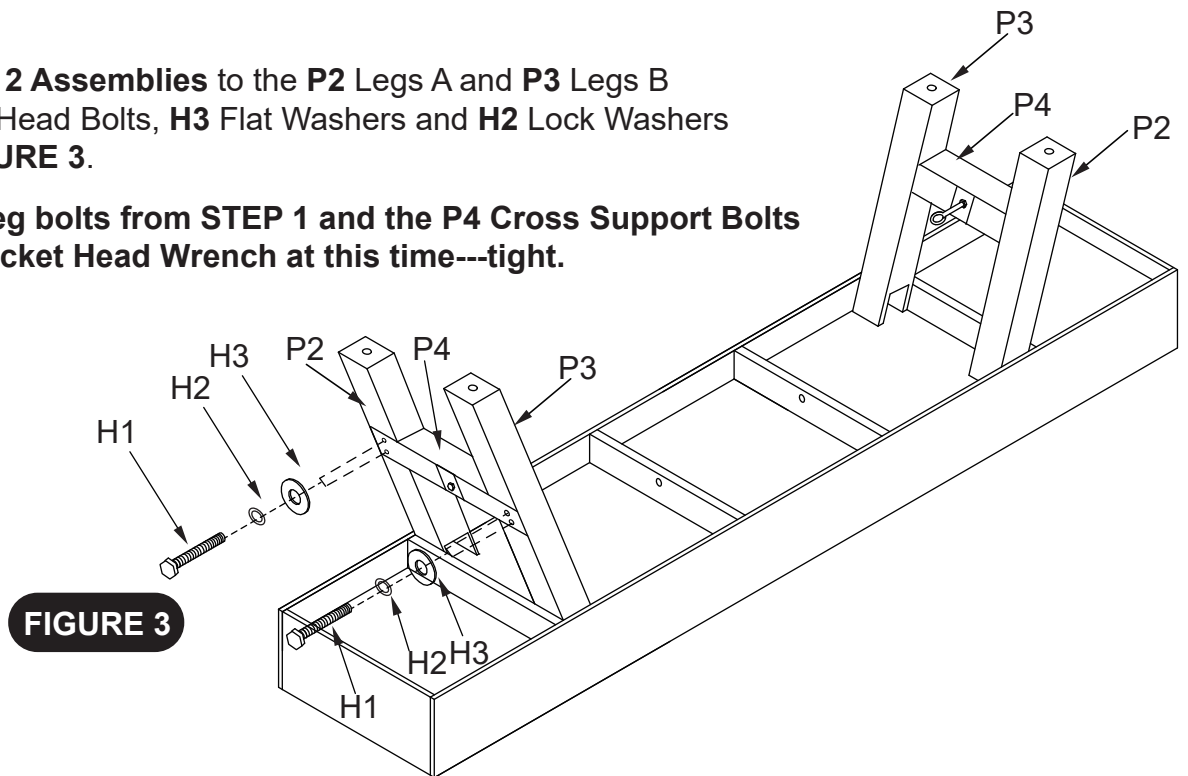


FIGURE 3

PARTS REQUIRED

2pcs - **P9** Cabinet Support Brace Hook
4pcs - **H6** Hex Nut

4pcs - **H7** Flat Washer

STEP 4

Attach the **P9** Cabinet Support Brace Hooks onto the **P1** Main Cabinet using the **H6** Hex Nuts and **H7** Flat Washers as shown in **FIGURE 4**.

Tighten the H6 Hex Nuts using a 24mm Open End Wrench or Adjustable Wrench.

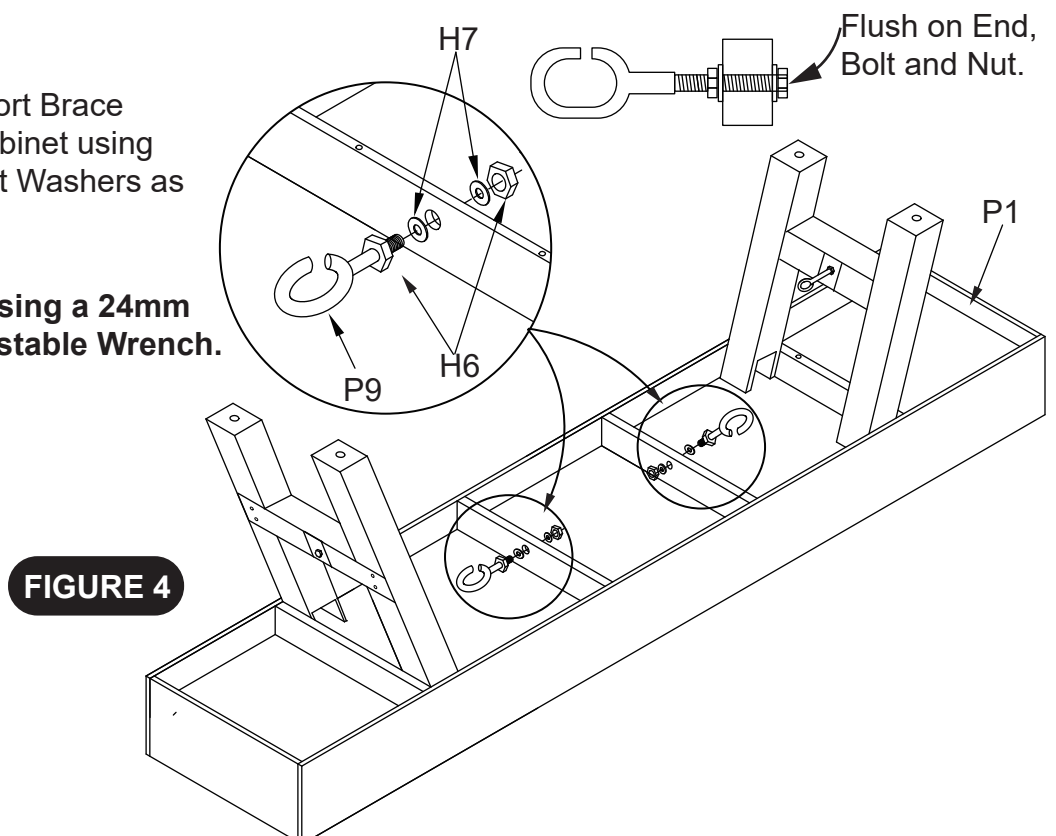


FIGURE 4

PARTS REQUIRED

2pcs - **P5** Turnbuckle Support

4pcs - **P6** Leg Leveler

STEP 5

Attach the **P5** Turnbuckle Supports onto the **P8** Leg Cross Support Hooks and the **P9** Cabinet Support Brace Hooks.

It may be necessary to evenly unscrew both ends of the P5 turnbuckle in order to attach it's ends to both hooks .

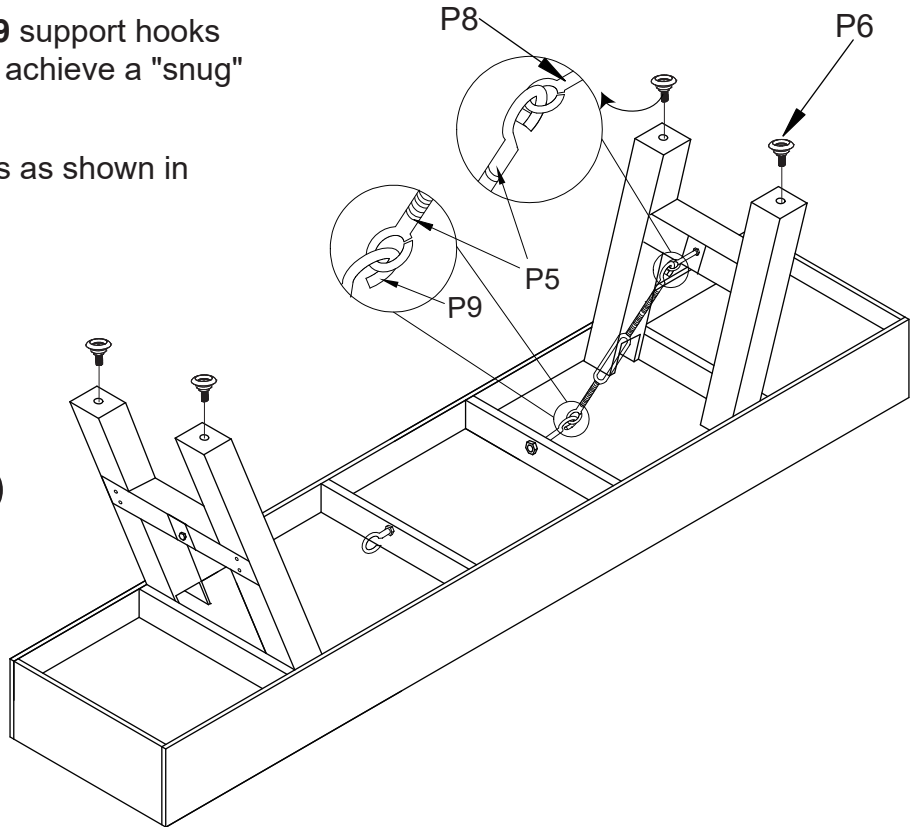
CAREFULLY: Adjust the **P8 & P9** support hooks secondly and only if necessary to achieve a "snug" only P5 Turnbuckle "

Thread the **P6** Leg levelers to legs as shown in **FIGURE 5**.

NOTE:
Do not tighten the turnbuckles, snug tighten only.

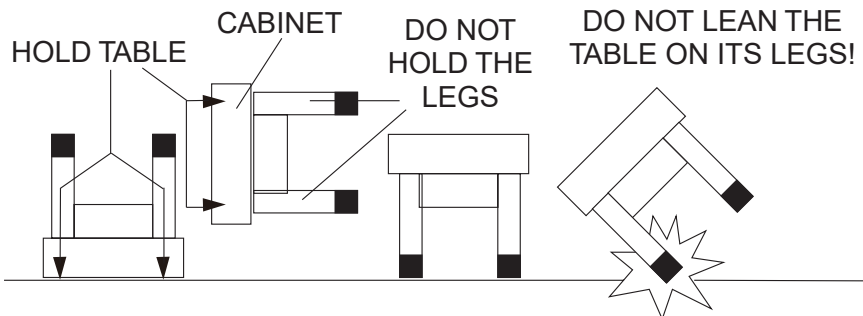


FIGURE 5



⚠ CAUTION

THIS STEP REQUIRES FOUR OR MORE CAPABLE ADULTS. WHILE FLIPPING THE TABLE OVER, DO NOT ALLOW TABLE TO REST ON THE SIDE OF LEGS AS THIS COULD DAMAGE THEM. VERY CAREFULLY TURN THE TABLE OVER AND SET IT ON ITS LEGS. BE CAREFUL. THE TABLE IS VERY HEAVY.



PARTS REQUIRED

2pcs - **P10** Manual Scorer
1pc - **P11** Bowling Pin Side Block-A
1pc - **P12** Bowling Pin Back Block

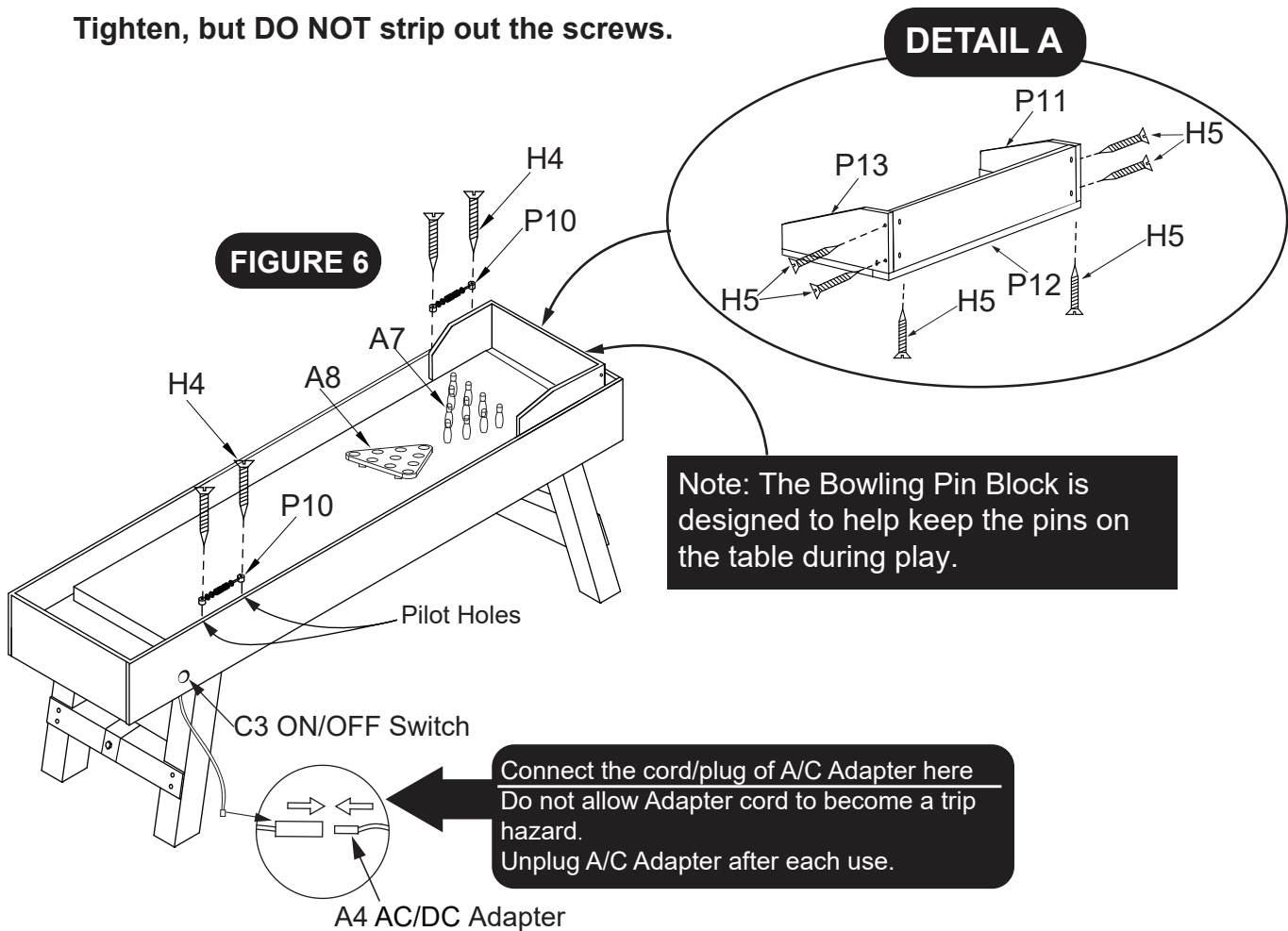
1pc - **P13** Bowling Pin Side Block-B
4pcs - **H4** Phillips Flat Head Screw
6pcs - **H5** Phillips Flat Head Screw

STEP 6

Attach the **P10** Manual Scorers onto the top rails using the **H4** Flat Head screws and pilot holes as shown in **FIGURE 6**.

Attach the **P11** Bowling Pin Side Block-A and the **P13** Bowling Pin Side Block-B onto the **P12** Bowling Pin Back Block using the **H5** Phillips Flat Head Screws as shown in **DETAIL A**.

Tighten, but **DO NOT** strip out the screws.



NOTICE :

TO PLAY THIS GAME AND ACHIEVE A HIGH SKILL LEVEL
REQUIRES A SOFT AND GENTLE TOUCH.
OVER THROWING THE PUCKS WILL CAUSE DAMAGE TO
THE ENDS OF THE TABLE.

Replacement of LED Light Strip

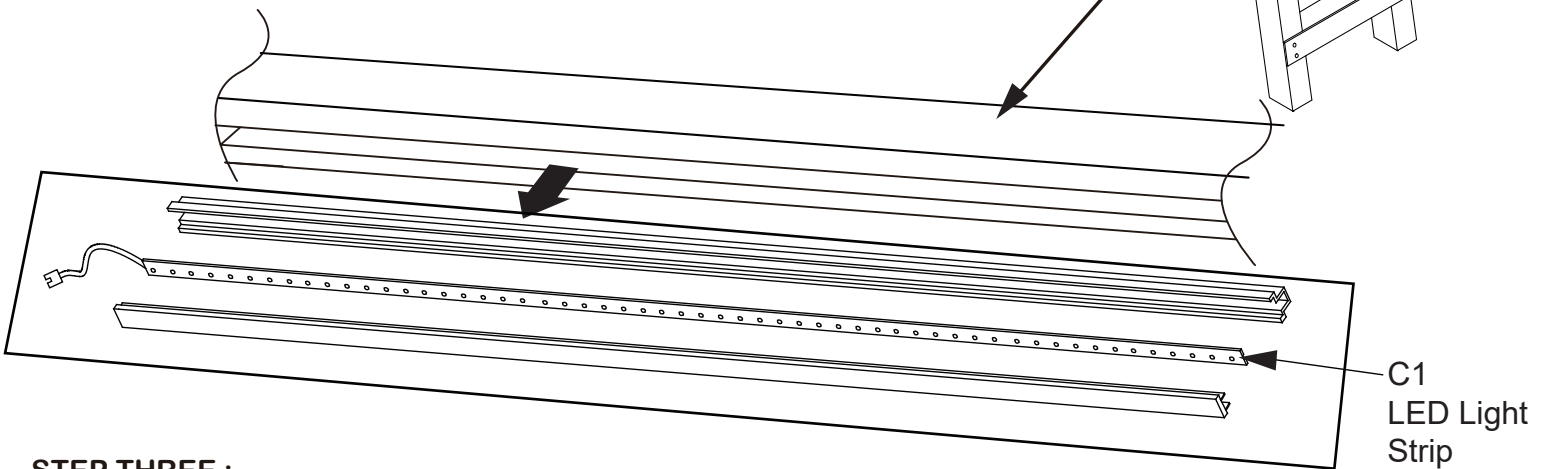
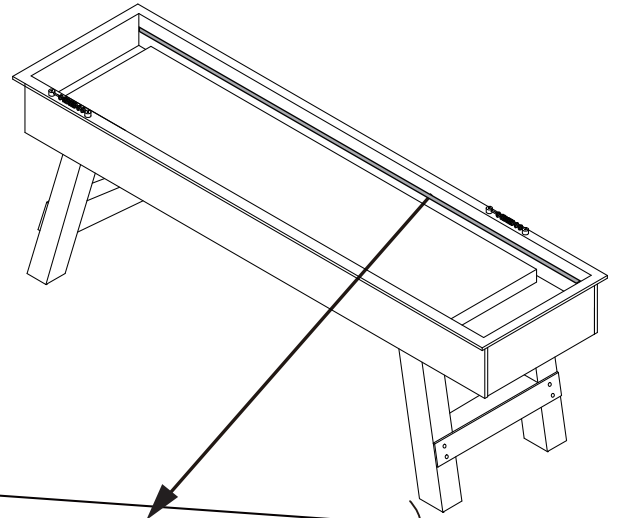
STEP ONE :

Should the LED lights not be working in the rail - Firstly , make sure the wall outlet cord is plugged in to a live A/C outlet properly. Secondly , make sure the A/C Adapter (**A4**) is tightly plugged in to its outlet under the table . Lastly, make sure all LED Rail lights connections are snugly plugged into the Main Electronic Unit (**C3**) . At this point , should the LED Rail Lights still not be working , please disconnect the A/C power to the table before proceeding .

A call will be required to our Customer Service Department to acquire the necessary replacement part(s) .

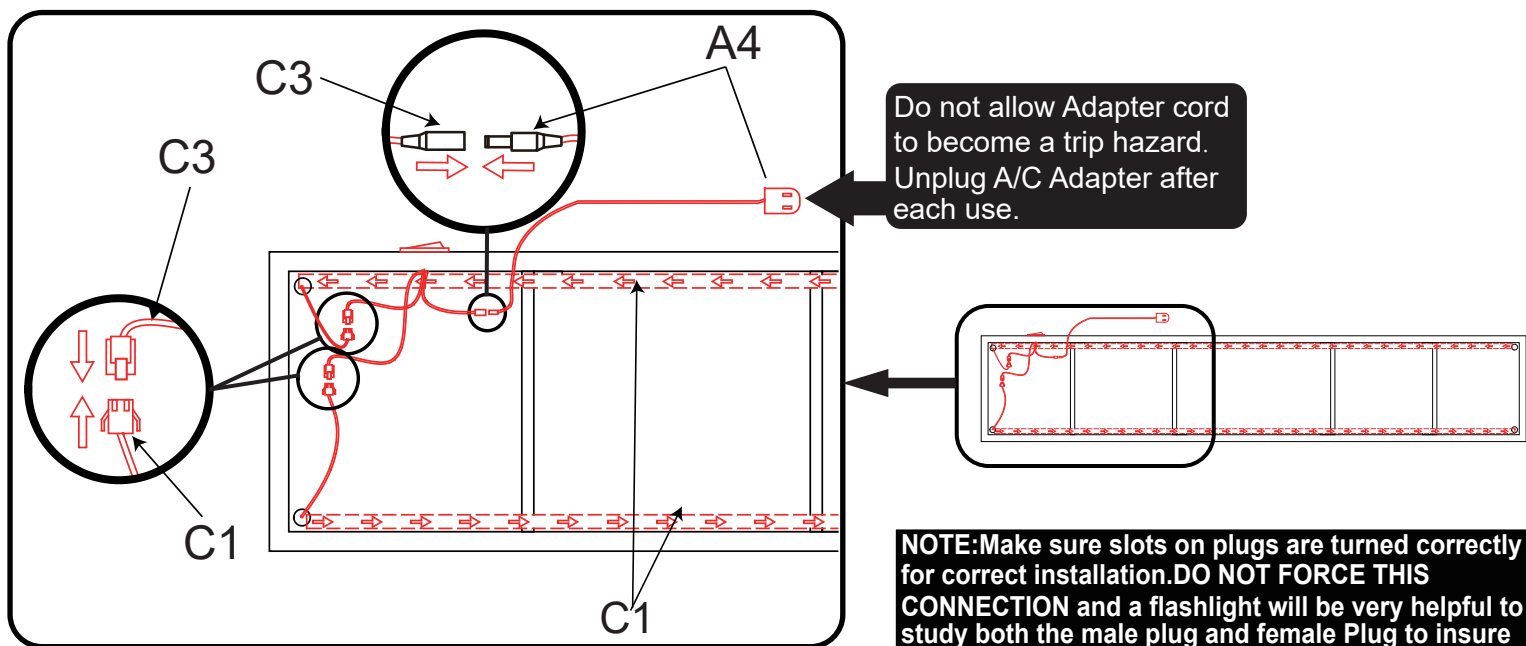
STEP TWO :

If the LED Light Strip needed to be replaced on the **P1** Cabinet inner side, take the **C1** LED Light Strip out of the table.



STEP THREE :

Install the replace LED Strip **C1** back to the Cabinet Side Rail. Align the male and female connectors of the well Lighting LED Strip. Connect the plug of **C1** Lighting LED Strip with **C3** ON/OFF Switch Wire. Next, connect the **A4** AC/ DC Adapter with **C3** ON/OFF Switch Wire.



Congratulations! You have now assembled your game table. Please note the Care and Use instructions below to insure many years of trouble free use of your game table.

CARE AND USE OF YOUR TABLE

1. Before first use and frequently thereafter, apply furniture polish to the shuffleboard playfield to insure long life of the playfield and the most competitive level of play.
2. Always shake shuffleboard wax before applying to table.
3. Apply an adequate amount of shuffleboard wax over the entire length of the shuffleboard playfield so the puck will always "float" consistently over the entire length of the playfield.
4. Use spray furniture polish to clean all exterior surfaces of your game table.
5. This product is intended for **INDOOR** use only.
6. **DO NOT** sit, climb or lean on the table.
7. **DO NOT** drag the table when moving it. This will damage the legs.
8. **DO NOT** set drinks on the table.
9. Use a carpenters level to properly level the table using the leg levelers.
10. Do not allow the a/c adaptor cord to become a trip hazard and unplug the cord after every use .
11. Optional, you may consider covering the table when not in use to prevent any dust buildup.

PRODUCT PARTS LIST FOR MODEL # AL5002W/F

Key #	Part #	Description	Qty.	Key #	Part #	Description	Qty.
H1	AL5002STXH1	8mm x 130mm Hex Head Bolt	16	A1	AL5002STXA1	Shuffleboard Wax	1
H2	AL5002STXH2	M8 Lock Washer	16	A2	AL5002STXA2	Black Puck	4
H3	AL5002STXH3	M8 Flat Washer	16	A3	AL5002STXA3	Gray Puck	4
H4	AL5002STXH4	3.5mm x 14mm Phillips Flat Head Screw	4	A4	AL5002STXA4	AC Adaptor	1
H5	AL5002STXH5	3.5mm x 35mm Phillips Flat Head Screw	6	A5	AL5002STXA5	Playfield Brush	1
H6	AL5002STXH6	M16 Hex Nut	8	A6	AL5002STXA6	Bowling Pins	10
H7	AL5002STXH7	M16 Flat Washer	8	A7	AL5002STXA7	Bowling Pin Setter	1
T1	AL5002STXT1	T Socket Head Wrench	1	C1	AL5001STXC1	Lighting LED Strip	2
P1	AL5002STXP1	Main Cabinet	1	C3	AL5001STXC3	ON/OFF Switch (Pre-installed)	1
P2	AL5002STXP2	Leg A	2	K1	AL5002STXK1	Hardware Kit	1
P3	AL5002STXP3	Leg B	2	M1	AL5002STXM1	Owner's Manual	1
P4	AL5002STXP4	Leg Cross Support	2				
P5	AL5002STXP5	Turnbuckle Support	2				
P6	AL5002STXP6	Leg Leveler	4				
P7	AL5002STXP7	Metal Bracket	2				
P8	AL5002STXP8	Leg Cross Support Hook	2				
P9	AL5002STXP9	Cabinet Support Brace Hook	2				
P10	AL5002STXP10	Manual Scorer	2				
P11	AL5002STXP9	Bowling Pin Side Block - A	1				
P12	AL5002STXP10	Bowling Pin Back Block	1				
P13	AL5002STXP11	Bowling Pin Side Block - B	1				

Shuffleboards Game Rules - Information on how to play shuffleboard including rules and instructions on how to keep score in the most common shuffleboard games.

Common Shuffleboard Game Rules

Have you ever wondered how to play shuffleboard? Here are the most common shuffleboard rules that generally apply to most games. The rules usually require that you alternately take turns sliding, by hand, all 4 of your weights against the ones from your opponent. Try to make it to the highest scoring area on the shuffleboard without falling off the end of the board into the alley. In order to earn points your weights need to be the farthest down the board. Some of the strategy and fun really comes into play when you knock off your opponents' weights, outdistance them or use your weights to protect your other highest scoring weights.

Usually the most common games are played either to 15 or 21 points. The sections below cover the shuffleboard game rules for the most famous (and fun) shuffleboard games.

Shuffleboard Game Rules Scoring:

EXAMPLE: If a Red Weight is the most distant Weight from the playing end at the completion of a round, Red becomes the winner of the round, and only Red can score. To determine Red's score, total the value of each Red Weight that lies ahead of the leading Blue Weight. Red Weights which are either blocked or which lie behind the leading Blue Weight are not scored. If there are no Blue Weights remaining on the board, all remaining Red Weights are scored.

Knock Off Shuffleboard Rules:

Knock Off shuffleboard is one of the simplest and most common ways to play the game. However, just because the rules are simple to remember does not mean the game is easy to play. Any game of shuffleboard can be improved with patience and strategy, and this one is no different. Learn more about the Knock Off Game Rules.

Horse Collar Shuffleboard Rules:

Need a high scoring affair? Horse Collar shuffleboard is played one-on-one or with teams, and the winner must score 51 points. With a fun betting element for those who can't score and huge shots worth 26 points, Horse Collar is a game that everyone will be wanting to play. Learn more about the Horse Collar Game Rules.

Tap & Draw Shuffleboard Rules:

Unlike Knock Off participants, Tap & Draw players who get to shuffle the first puck have the best advantage. Tap & Draw is played and scored similarly to other versions of the game, but there is one major difference. In Tap & Draw, you can attempt to send your own puck farther up the board by tapping it with another one of your pucks. Learn more about the Tap & Draw Game Rules.

Crazy Eight Shuffleboard Rules:

As far as physically throwing the pucks and keeping score, Crazy Eight presents a version of shuffleboard that is pretty similar to many of the classic games people play. However, Crazy Eight is a fun and challenging version of shuffleboard due to the way that points are actually scored. Learn more about the Crazy Eight Game Rules.

Target Shuffleboard Rules:

Just like darts, archery and rifle, this shuffleboard game gives you the chance to aim and shoot at a target. With hopes of scoring one, two, three or four-points, use your skills to shoot for a target and bring home the winning game. Only the winner scores in each round, so choose your play wisely. Learn more about Target Game Rules.

The Scoring Of Shuffleboard Bowling

You can play with as many people as you like. Each player gets two turns with their shuffleboard weight. If all pins are knocked down on the first try, you have yourself a strike. Rather than scoring 10 for the frame, the player will score 10 plus the total amount knocked down during both turns in the next frame. If all pins are knocked down on the second try, you have yourself a spare. Instead of scoring 10 for the frame, the player will score 10 plus the total amount knocked down during the first turn in the next frame. As you can see, scoring is the same as regular bowling as points are tallied based on how many pins are knocked down. Shuffleboard bowling also consists of ten frames, so each player gets twenty opportunities to knock down the pins while also working on their shooting skills. Just as in regular bowling, if a strike or spare is scored on the last frame, the lucky shooter gets one extra frame to bowl. The winner is the player with the highest score!

The Strategy of Shuffleboard Bowling

The basics of shuffleboard bowling aren't much different from the basics of traditional bowling, so anyone who casually bowls can hop right in and play. Shuffleboard players will have to adjust their shooting techniques since shuffleboard bowling calls for a different kind of strategy. Traditional shuffleboard play doesn't require that you aim for the center, whereas shuffleboard bowling does. While you might normally shoot from the side of the table, that may not be an effective move for bowling.

It's important to bowl your weight down the board evenly and smoothly, so you can avoid the shuffleboard version of a gutterball. Feel free to try using both hands to send your weight flying, as you will have increased control and the potential for improved accuracy. On the other hand, using only your palm to move the weight could grant you better balance. Try a few different methods to create your own unique shuffleboard bowling style.

As if you needed another reason to add a shuffleboard table to your life, now you know that they can double as mini-bowling lanes. Shuffleboard enthusiasts and casual players alike can appreciate the variety in gameplay, as well as the chance to help you hone your shuffleboard skills. For hours of entertainment and a fresh use for shuffleboard tables, you just can't go wrong with shuffleboard bowling.

Bowling Score Sheet

	1	2	3	4	5	6	7	8	9	10	total
1	<input type="text"/>	<input type="text"/>	<input type="text"/>	<input type="text"/>	<input type="text"/>	<input type="text"/>	<input type="text"/>	<input type="text"/>	<input type="text"/>	<input type="text"/>	
2	<input type="text"/>	<input type="text"/>	<input type="text"/>	<input type="text"/>	<input type="text"/>	<input type="text"/>	<input type="text"/>	<input type="text"/>	<input type="text"/>	<input type="text"/>	
3	<input type="text"/>	<input type="text"/>	<input type="text"/>	<input type="text"/>	<input type="text"/>	<input type="text"/>	<input type="text"/>	<input type="text"/>	<input type="text"/>	<input type="text"/>	
4	<input type="text"/>	<input type="text"/>	<input type="text"/>	<input type="text"/>	<input type="text"/>	<input type="text"/>	<input type="text"/>	<input type="text"/>	<input type="text"/>	<input type="text"/>	
5	<input type="text"/>	<input type="text"/>	<input type="text"/>	<input type="text"/>	<input type="text"/>	<input type="text"/>	<input type="text"/>	<input type="text"/>	<input type="text"/>	<input type="text"/>	

* Consider making copies of this Score Sheet before first use.

90 DAY LIMITED WARRANTY

This customer warranty extends to the original owner, on the purchase of any ESCALADE SPORTS Product (hereinafter referred as the "Product").

WARRANTY DURATION: This Product is warranted to the original owner, for a period of 90 days from the original purchase.

WARRANTY COVERAGE: ESCALADE SPORTS warrants to the original owner, this product to be free from defects in material and workmanship when used for the intended purpose under normal use and conditions. THIS WARRANTY IS VOID IF THE PRODUCT HAS BEEN DAMAGED BY ACCIDENT, UNREASONABLE USE, NEGLIGENCE, IMPROPER SERVICE, FAILURE TO FOLLOW INSTRUCTIONS PROVIDED WITH THE PRODUCT OR OTHER CAUSES NOT ARISING OUT OF DEFECTS IN MATERIAL AND WORKMANSHIP.

WARRANTY REPLACEMENT: During the above 90 day warranty period, ESCALADE SPORTS shall provide replacement components or replace with a comparable product at our choosing. If product is defective under normal use and proper care, please contact our Customer Service Dept.

1-888-996-2729 / Customer Service Dept.

Or Write us at:

Escalade® Sports, Inc. - P.O. Box 889, Evansville, IN 47706

Attn: Customer Service Dept.

Or E-mail us at:

customerservice@escaladesports.com

Other than shipping requirements no charge will be made for such replacement of in-warranty Products.

WARRANTY DISCLAIMERS: ANY IMPLIED WARRANTIES ARISING OUT OF THIS SALE, INCLUDING BUT NOT LIMITED TO THE IMPLIED WARRANTIES OF MERCHANTABILITY AND FITNESS FOR A PARTICULAR PURPOSE, ARE LIMITED IN DURATION TO THE ABOVE 90 DAY PERIOD. ESCALADE SPORTS SHALL NOT BE LIABLE FOR LOSS OF USE OF THE PRODUCT OR OTHER CONSEQUENTIAL OR INCIDENTAL COSTS, EXPENSES OR DAMAGES INCURRED BY THE CONSUMER OF ANY OTHER USE.

Some states do not allow the exclusion or limitation of implied warranties or consequential or incidental damages, so the above limitations or exclusions may not apply to you.

LEGAL REMEDIES: This warranty gives you specific legal rights and you may also have other rights which may vary from state to state.